



US00D950699S

(12) **United States Design Patent** (10) **Patent No.:** **US D950,699 S**  
**Buckley et al.** (45) **Date of Patent:** **\*\* May 3, 2022**

(54) **HANGING FRAGRANCE DISPENSER**

(71) Applicant: **The Yankee Candle Company, Inc.**,  
South Deerfield, MA (US)

(72) Inventors: **Jill Buckley**, Mattawan, MI (US);  
**Virginia Ng**, Northampton, MA (US)

(73) Assignee: **The Yankee Candle Company, Inc.**,  
South Deerfield, MA (US)

(\*\*) Term: **15 Years**

(21) Appl. No.: **29/723,723**

(22) Filed: **Feb. 10, 2020**

(51) **LOC (13) Cl.** ..... **28-99**

(52) **U.S. Cl.**  
USPC ..... **D23/366**

(58) **Field of Classification Search**  
USPC ..... D23/209, 355, 356, 358, 359, 360, 364,  
D23/365, 366, 367  
CPC . A61L 9/03; A61L 9/012; A61L 9/015; A61L  
9/037  
See application file for complete search history.

(56) **References Cited**

**U.S. PATENT DOCUMENTS**

D568,148 S *	5/2008	Tamura	.....	D8/383
D597,824 S *	8/2009	Wang	.....	D8/356
D667,749 S *	9/2012	Case	.....	D11/3
D676,950 S *	2/2013	Angulo	.....	D23/366
D711,602 S *	8/2014	Driver	.....	D30/199
D743,691 S *	11/2015	Romano	.....	D3/215
D793,075 S *	8/2017	Ma	.....	D3/207
D837,961 S *	1/2019	Rodriguez Barbero Gonzalez	.....	D23/366
D850,598 S *	6/2019	Gobber	.....	D23/368
D899,710 S *	10/2020	MacDonald	.....	D30/146
D907,186 S *	1/2021	Gobber	.....	D23/366

(Continued)

**OTHER PUBLICATIONS**

(Yankee Candle) WoodWick hanging fragrance dispenser [Aug. 23, 2021] found online [Aug. 23, 2021]—[https://woodwick.yankeecandle.com/woodwick/home-fragrance-auto/auto-reed-kits-refills/lavender-spa/ORCL\\_1670138.html](https://woodwick.yankeecandle.com/woodwick/home-fragrance-auto/auto-reed-kits-refills/lavender-spa/ORCL_1670138.html).\*

*Primary Examiner* — John A Voytek

(74) *Attorney, Agent, or Firm* — Husch Blackwell LLP

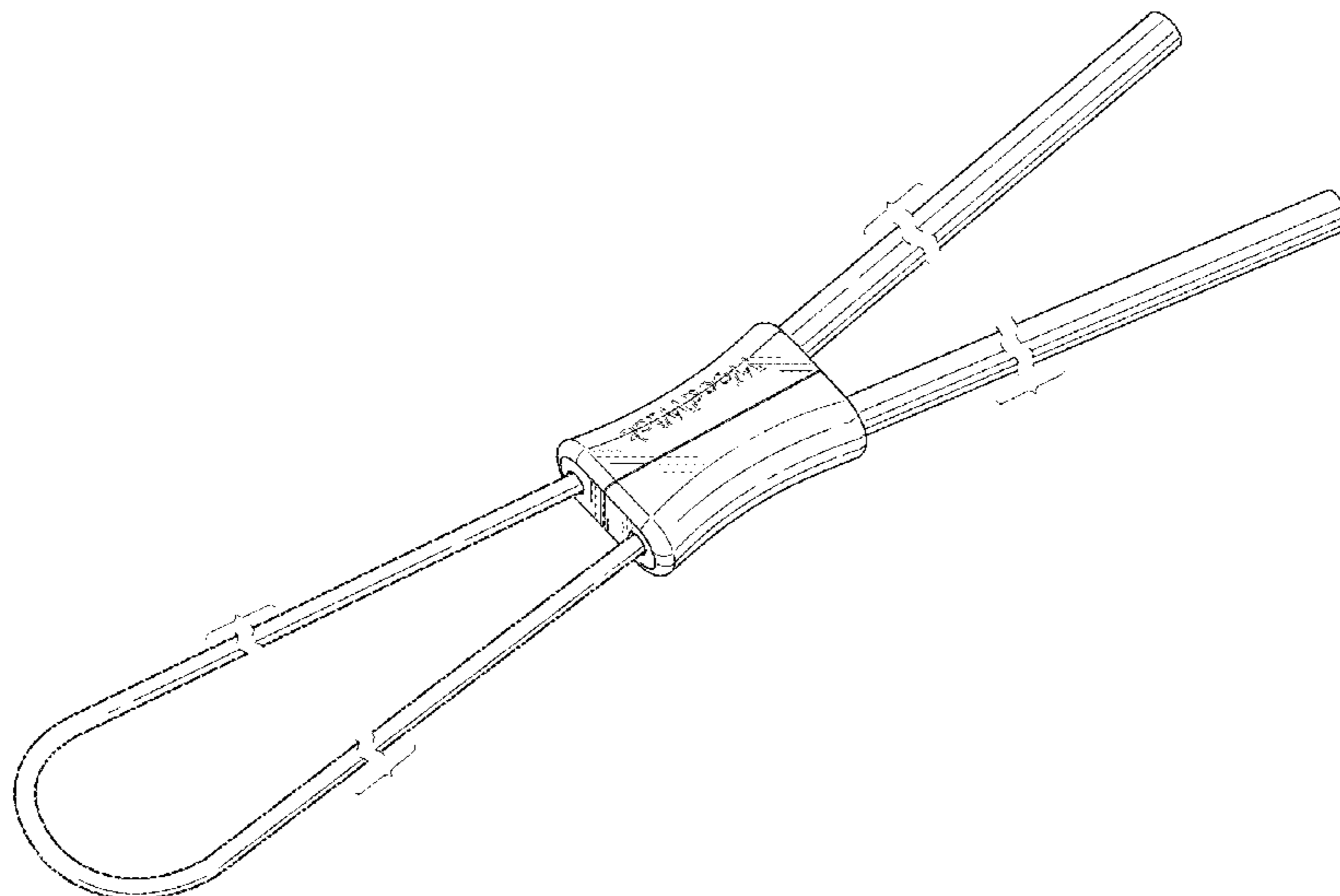
(57) **CLAIM**

The ornamental design for a hanging fragrance dispenser, as shown and described.

**DESCRIPTION**

FIG. 1 is a perspective view of a first embodiment of a hanging fragrance dispenser showing the new design in a closed configuration;  
FIG. 2 is a rear elevation view of the hanging fragrance dispenser of FIG. 1;  
FIG. 3 is a left side elevation view of the hanging fragrance dispenser shown in FIG. 1;  
FIG. 4 is a front elevation view of the hanging fragrance dispenser shown in FIG. 1;  
FIG. 5 is a right side elevation view of the hanging fragrance dispenser shown in FIG. 1;  
FIG. 6 is a top plan view of the hanging fragrance dispenser shown in FIG. 1;  
FIG. 7 is a bottom plan view of the hanging fragrance dispenser shown in FIG. 1;  
FIG. 8 is a perspective view of the hanging fragrance dispenser showing the new design in an open configuration; and,  
FIG. 9 is another perspective view of the hanging fragrance dispenser showing the new design in the open configuration. The broken lines in the figures illustrate unclaimed environment and form no part of the claimed design. The hanging fragrance dispenser is shown with symbolic breaks along its length. The appearance of any portion of the article between the break lines forms no part of the claimed design.

**1 Claim, 5 Drawing Sheets**



(56)

**References Cited**

U.S. PATENT DOCUMENTS

D908,199 S *	1/2021	Vandenbelt .....	D23/366
2015/0151018 A1 *	6/2015	Nettleton .....	F23D 3/40
			431/323

\* cited by examiner

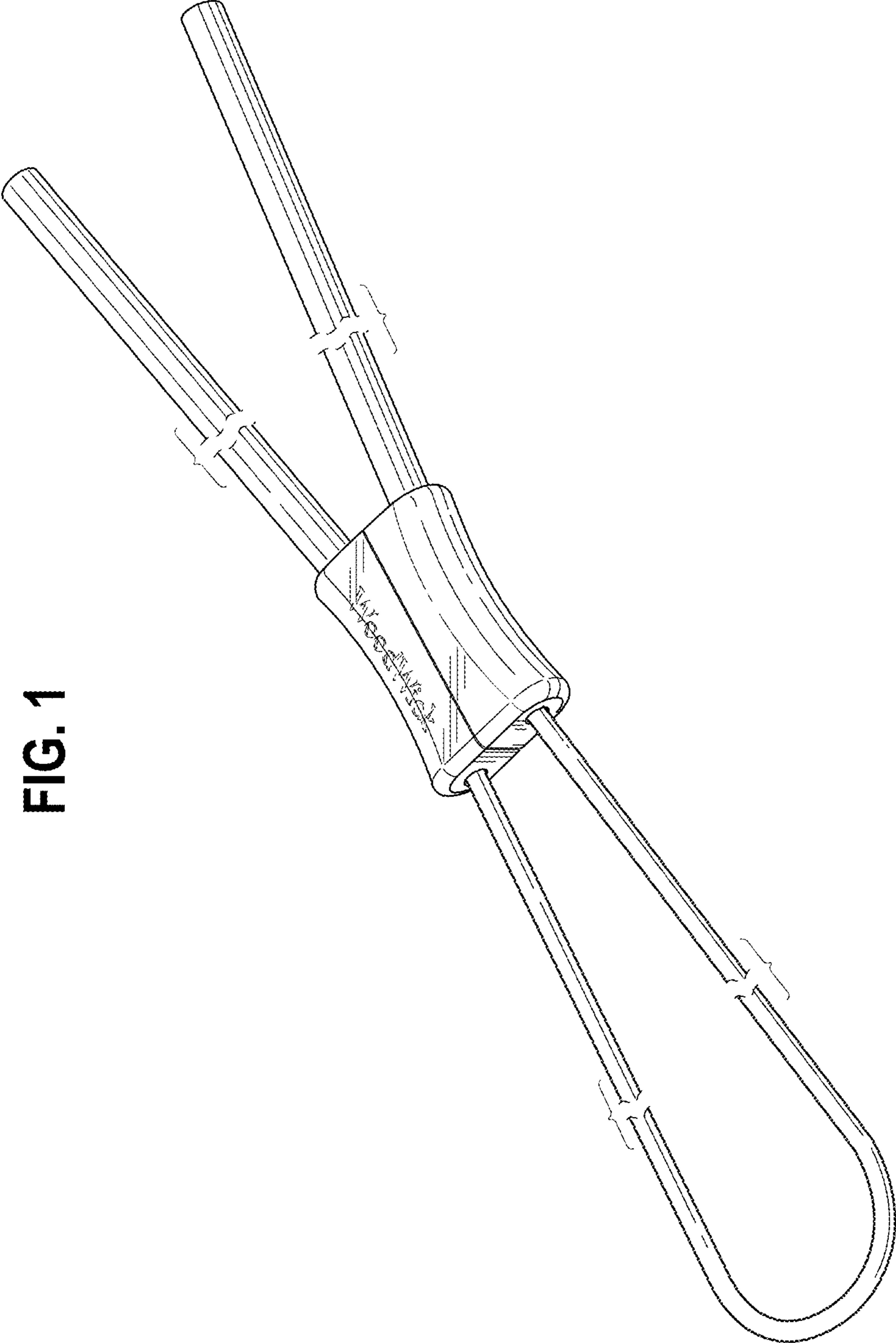


FIG. 1

FIG. 2

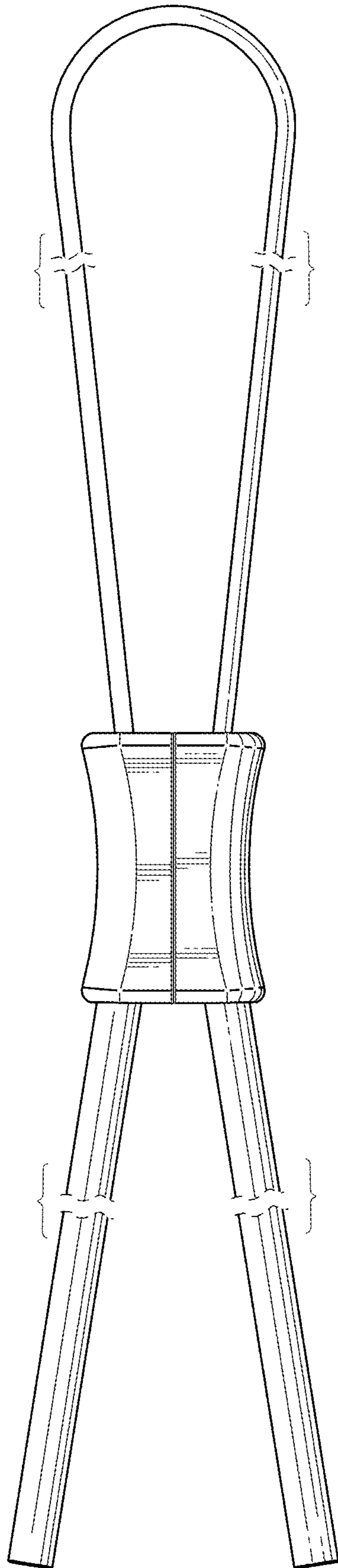
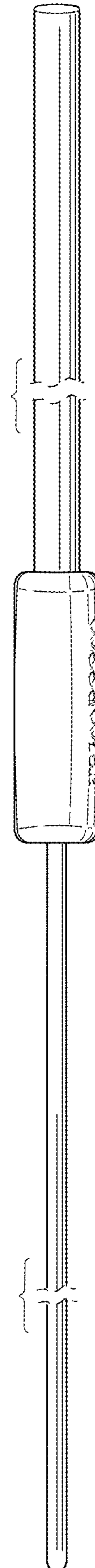
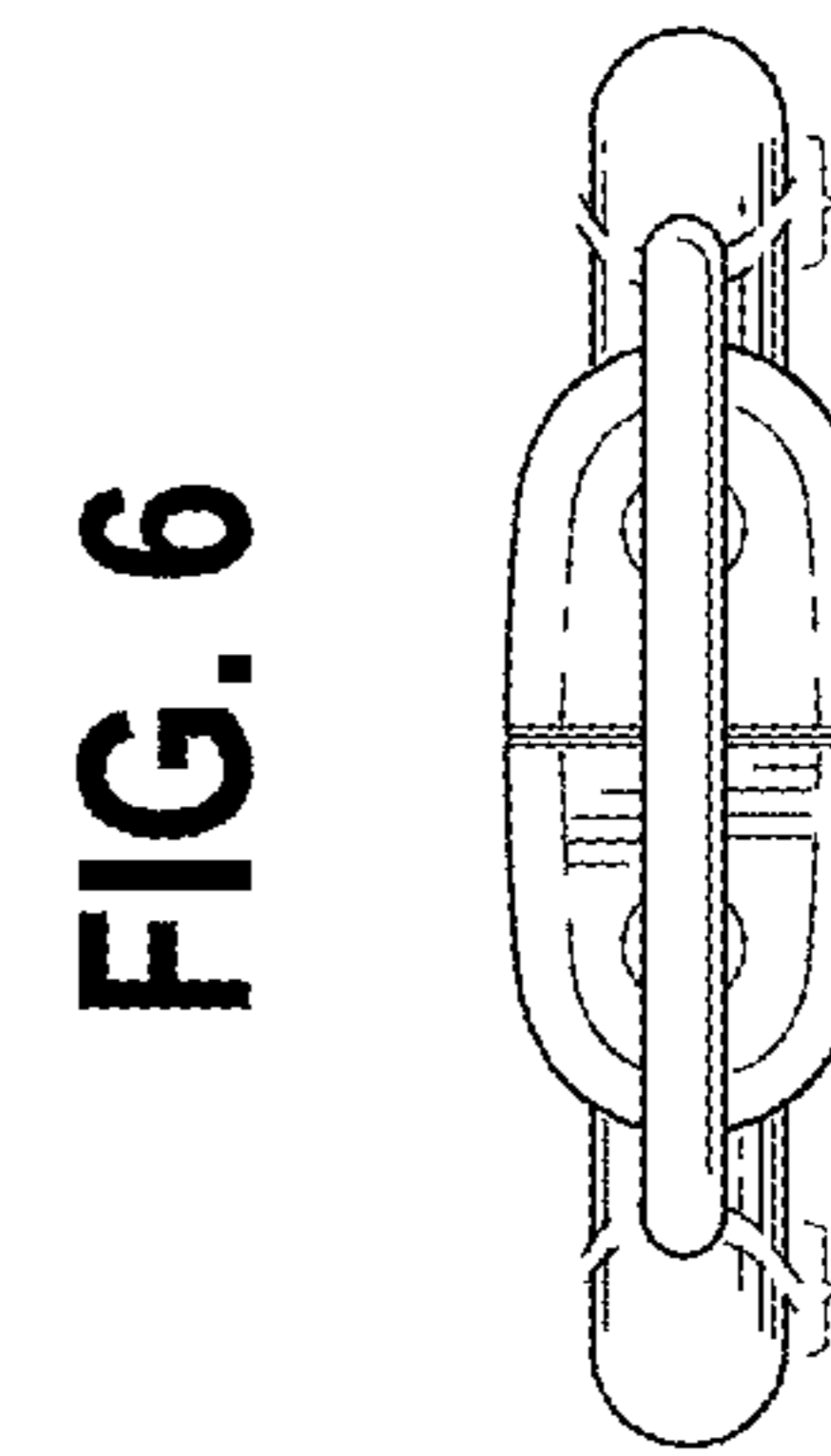
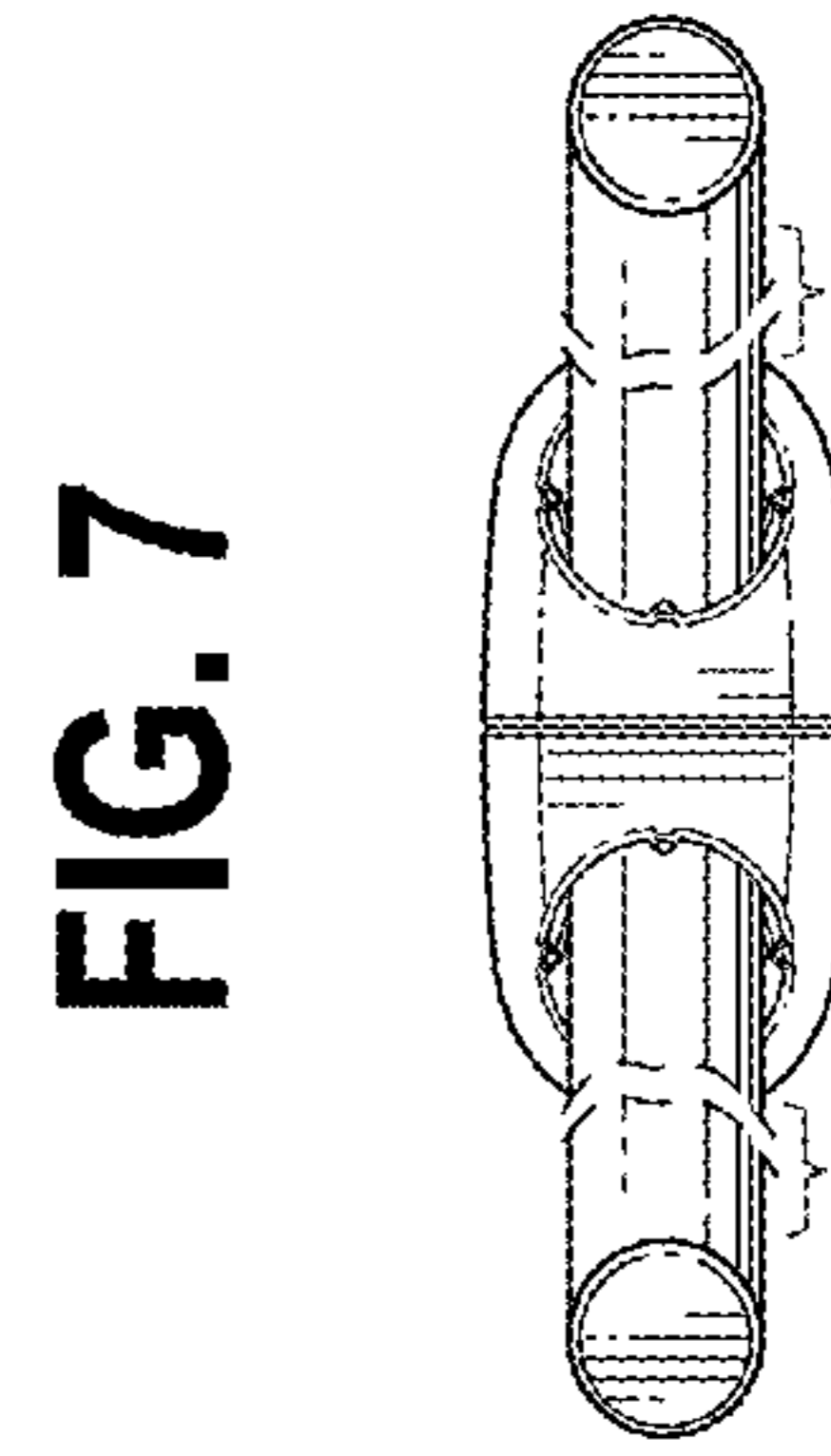
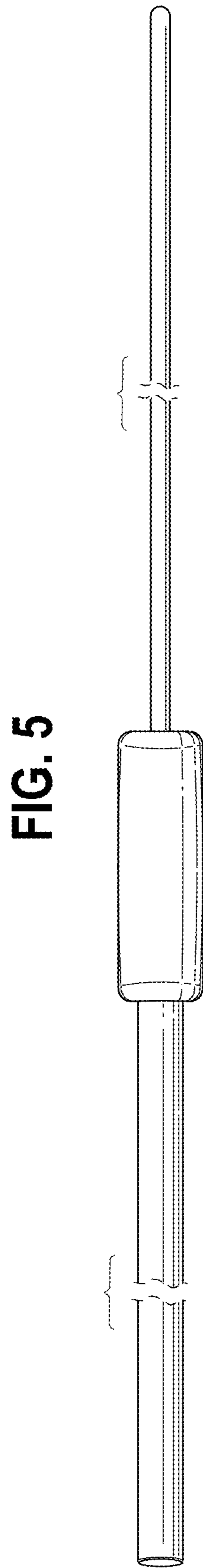
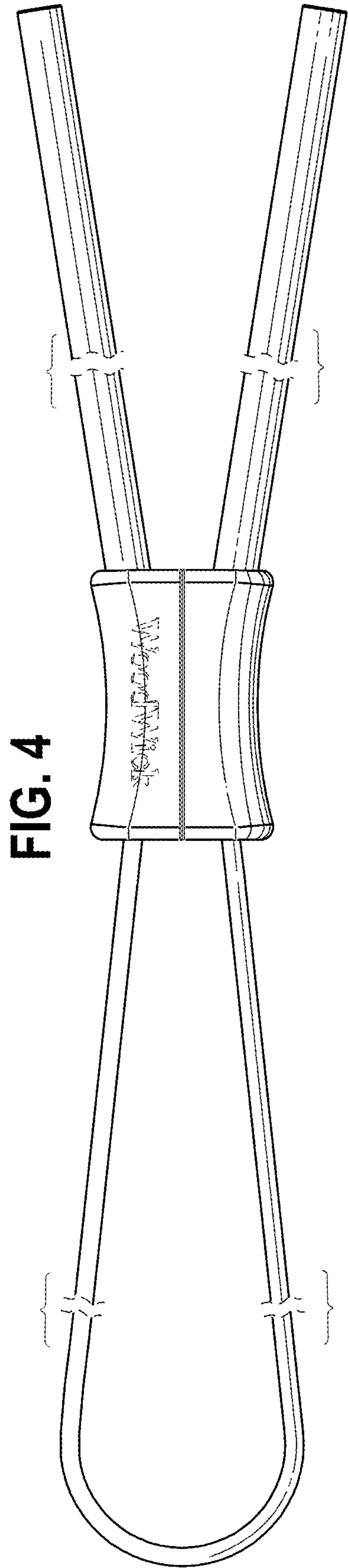


FIG. 3







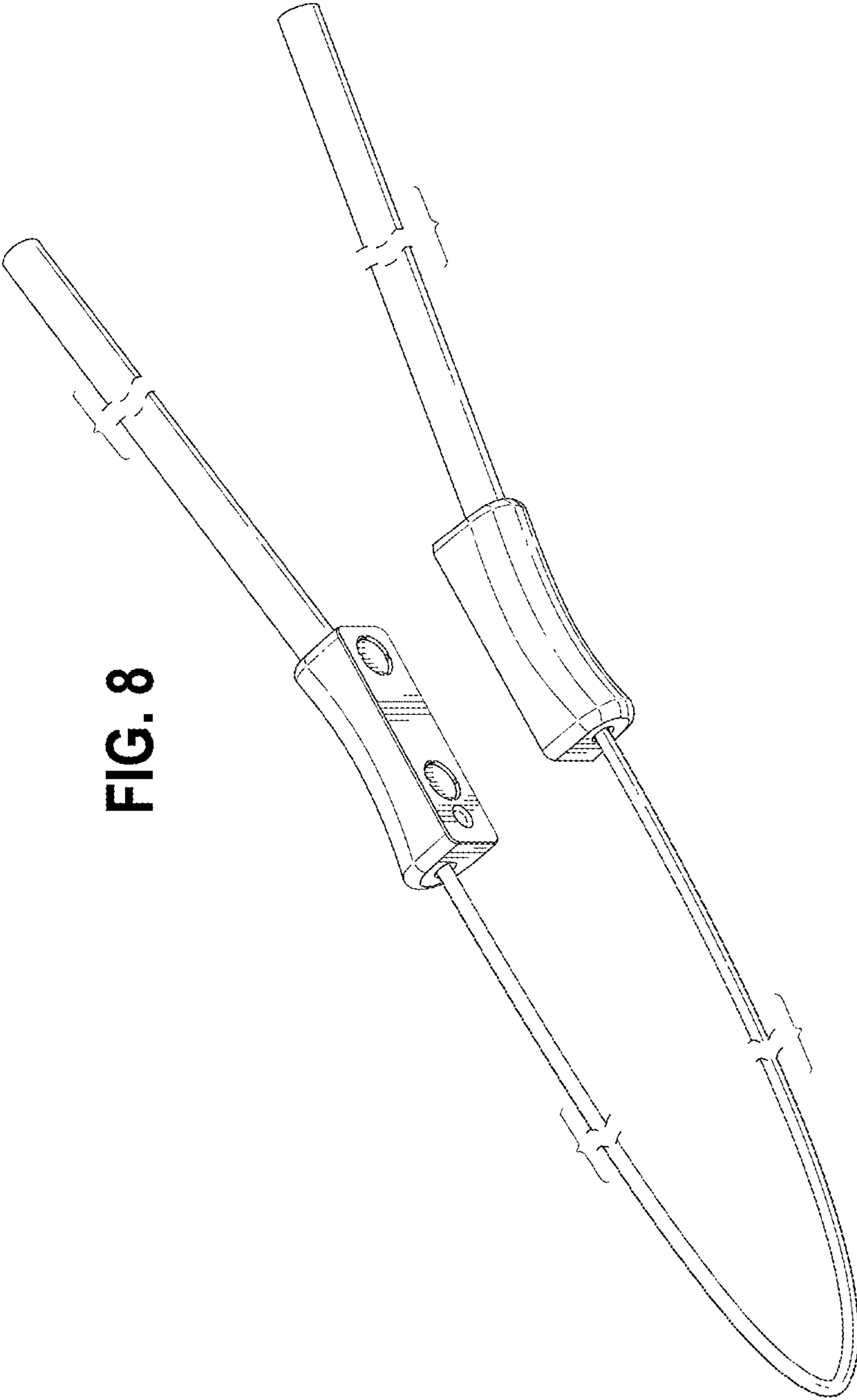


FIG. 8

FIG. 9

