



US00D950698S

(12) **United States Design Patent**
Ramphal et al.

(10) **Patent No.:** **US D950,698 S**

(45) **Date of Patent:** **** May 3, 2022**

- (54) **FILTER ASSEMBLY**
- (71) Applicant: **CLEANAIR.AI CORPORATION**,
Brampton ON (CA)
- (72) Inventors: **Chaitram Ramphal**, Brampton (CA);
Devindra Ramphal, Brampton (CA);
Michael Petgrave, Brampton (CA)
- (73) Assignee: **CLEANAIR.AI CORPORATION**,
Brampton (CA)
- (**) Term: **15 Years**
- (21) Appl. No.: **29/704,913**
- (22) Filed: **Sep. 9, 2019**
- (51) **LOC (13) Cl.** **23-04**
- (52) **U.S. Cl.**
USPC **D23/365**
- (58) **Field of Classification Search**
USPC D23/209, 210, 259, 260, 354, 364, 365,
D23/386, 393; D15/5
CPC B01D 46/0002; B01D 46/0004; B01D
46/0005; F24F 8/192; F24F 8/194; F24M
35/04
See application file for complete search history.

- 5,846,302 A * 12/1998 Putro B03C 3/66
96/66
- D483,845 S * 12/2003 Arato D23/365
- 6,764,533 B2 * 7/2004 Lobiondo, Jr. B03C 3/155
55/493
- 6,843,820 B2 * 1/2005 Kubokawa B01D 46/0005
55/495

(Continued)

OTHER PUBLICATIONS

How to replace a Micro Power Guard Air Filter, Apr. 4, 2015,
YouTube, site visited Dec. 27, 2021: <https://www.youtube.com/watch?v=MB7nMvG-wR0> (Year: 2015).*

(Continued)

Primary Examiner — Jack Reickel
Assistant Examiner — Bobby W Jones, II
(74) *Attorney, Agent, or Firm* — Bereskin & Parr
LLP/S.E.N.C.R.L., s.r.l.

(57) **CLAIM**

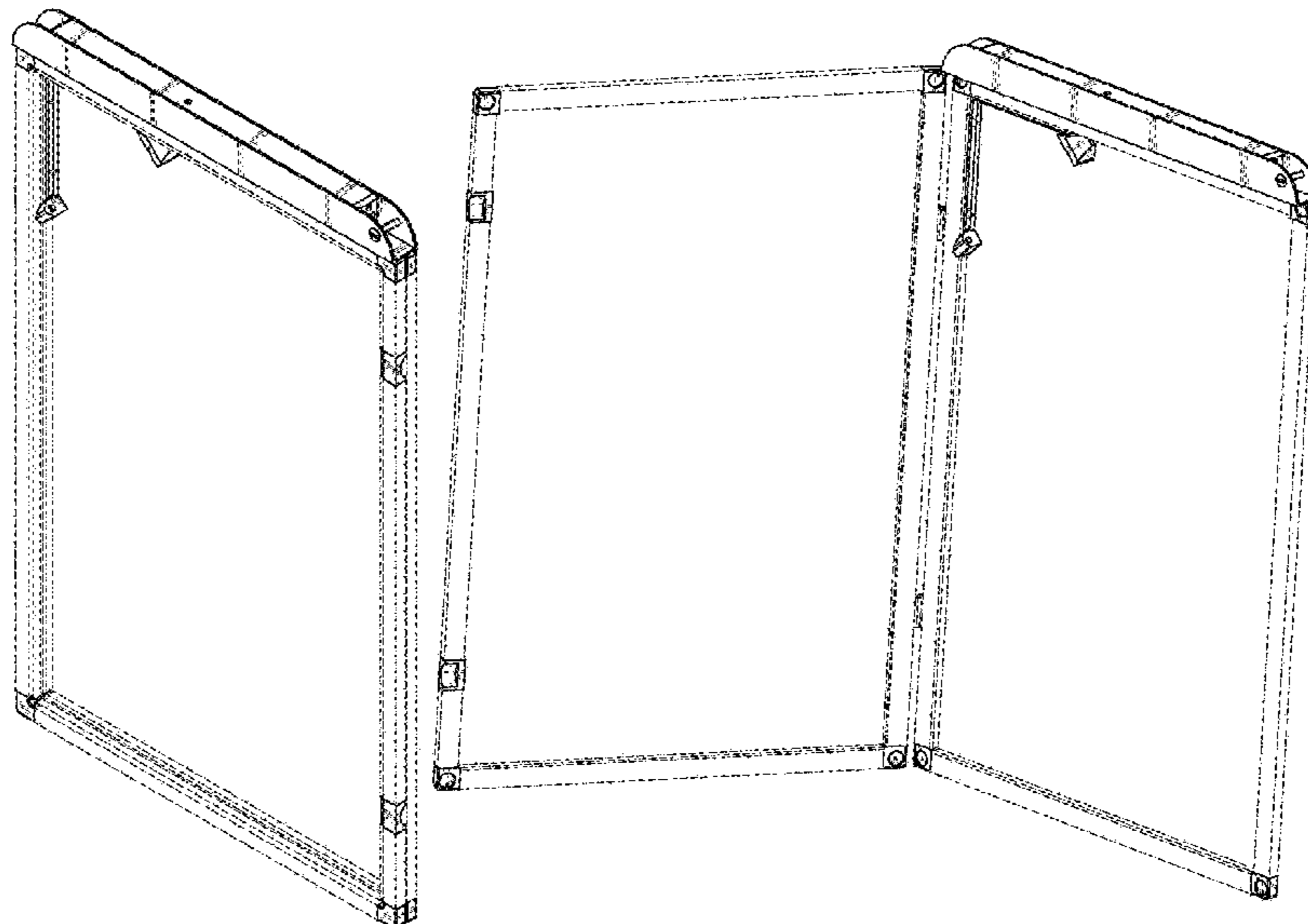
The ornamental design for a filter assembly, as shown and described.

DESCRIPTION

FIG. 1 is a front, upper, right side view of the filter assembly;
FIG. 2 is a rear, lower, left side perspective view thereof;
FIG. 3 is a front view thereof;
FIG. 4 is a rear view thereof;
FIG. 5 is a left side view thereof;
FIG. 6 is a right side view thereof;
FIG. 7 is a top view thereof;
FIG. 8 is a bottom view thereof; and,
FIG. 9 is a perspective view of the filter assembly shown in
an open position.
The broken lines shown in FIGS. 1-6, 8 and 9 illustrate
portions of the filter assembly that form no part of the
claimed design.

1 Claim, 3 Drawing Sheets

- (56) **References Cited**
U.S. PATENT DOCUMENTS
- 2,739,667 A * 3/1956 Palmore B01D 35/00
55/529
- 3,027,865 A 1/1959 Kautz et al.
- 4,183,029 A 1/1980 Isayama et al.
- 4,400,971 A 8/1983 Tassicker
- D298,646 S * 11/1988 Meyers D23/210
- 4,828,586 A * 5/1989 Joannou B03C 3/155
96/66
- 5,497,099 A 3/1996 Walton
- 5,573,577 A * 11/1996 Joannou B03C 3/155
96/66
- 5,796,472 A 8/1998 Wirthlin



(56)

References Cited

U.S. PATENT DOCUMENTS

6,955,702 B2 *	10/2005	Kubokawa	B01D 46/0005	55/357	2009/0199526 A1 *	8/2009	Wallace	B01D 46/10	55/493
D526,044 S *	8/2006	Torichigai	D23/209		2009/0249957 A1 *	10/2009	Lackey, Sr.	B01D 46/0002	96/11
7,112,238 B2 *	9/2006	Joannou	B03C 3/155	96/66	2012/0125592 A1	5/2012	Fadell et al.		
7,178,410 B2	2/2007	Fraden et al.			2015/0013287 A1 *	1/2015	Yamaguchi	B01D 46/0002	55/491
D651,280 S *	12/2011	Okawa	D23/209		2015/0052978 A1	2/2015	Beier		
8,231,716 B2	7/2012	Poon			2016/0378057 A1 *	12/2016	Yamaguchi	G03G 21/206	55/492
8,744,780 B2	6/2014	Wilson, Jr. et al.			2018/0147517 A1 *	5/2018	Kurita	B01D 46/0001	
D725,254 S *	3/2015	Roblin	D23/365		2018/0361291 A1 *	12/2018	Trenda	H04L 12/2801	
9,061,229 B1	6/2015	Wilson, Jr. et al.			2019/0262754 A1 *	8/2019	Barry	B01D 46/0002	
9,101,871 B2	8/2015	Salahshour et al.			2020/0232593 A1 *	7/2020	Allard	B32B 15/14	
9,304,521 B2	4/2016	Kates			2021/0252443 A1 *	8/2021	Ramphal	B01D 46/0086	
9,517,429 B2	12/2016	Beier			2021/0275952 A1 *	9/2021	Simmons	B01D 46/10	
9,552,715 B2	1/2017	Breslin							
9,920,947 B2	3/2018	Breslin							
2003/0230062 A1 *	12/2003	Kubokawa	B01D 46/0005	55/497					
2003/0230063 A1 *	12/2003	Kubokawa	B01D 46/10	55/497					
2005/0138906 A1 *	6/2005	Kubokawa	B01D 29/96	55/497					

OTHER PUBLICATIONS

Wingman 1 Electronic Air Filter, Jul. 4, 2017, Amazon, site visited Dec. 27, 2021: <https://www.amazon.com/dp/B073PK22LL/> (Year: 2017).*

* cited by examiner

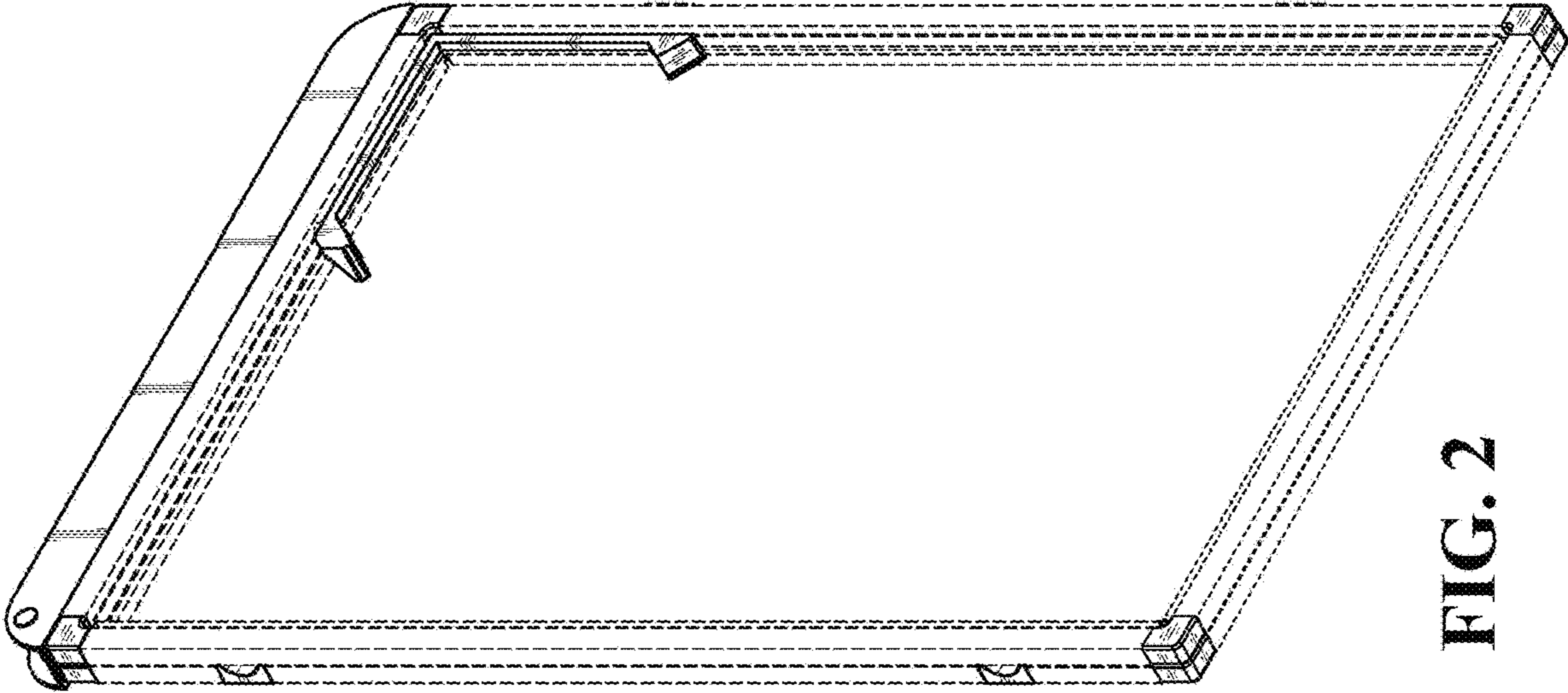


FIG. 2

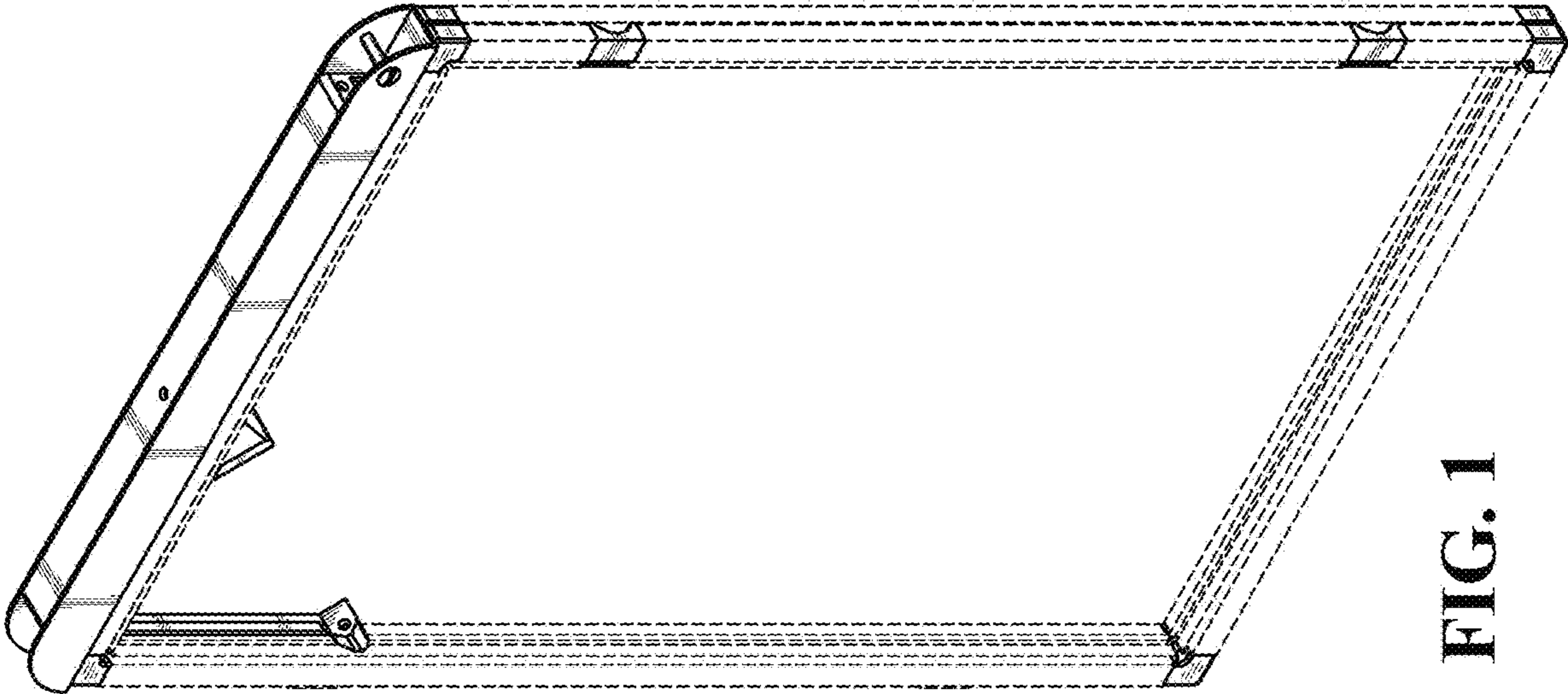


FIG. 1

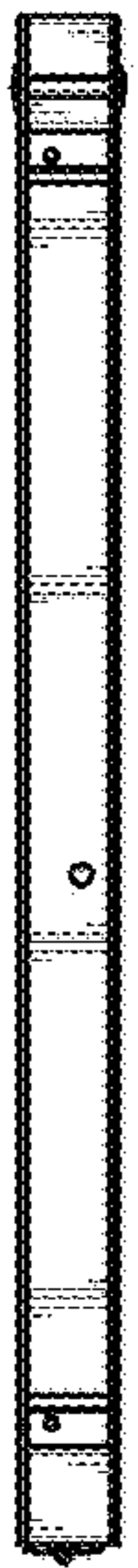


FIG. 7

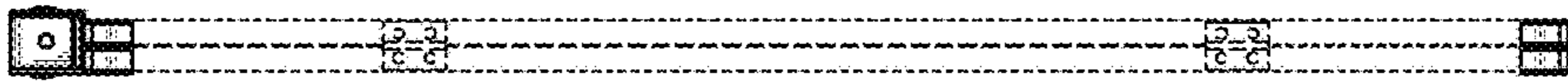


FIG. 5

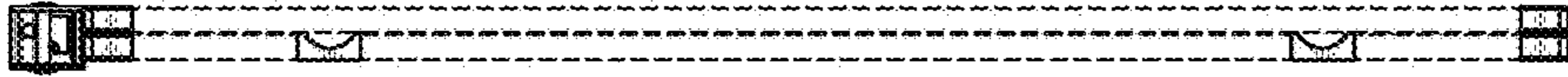


FIG. 6

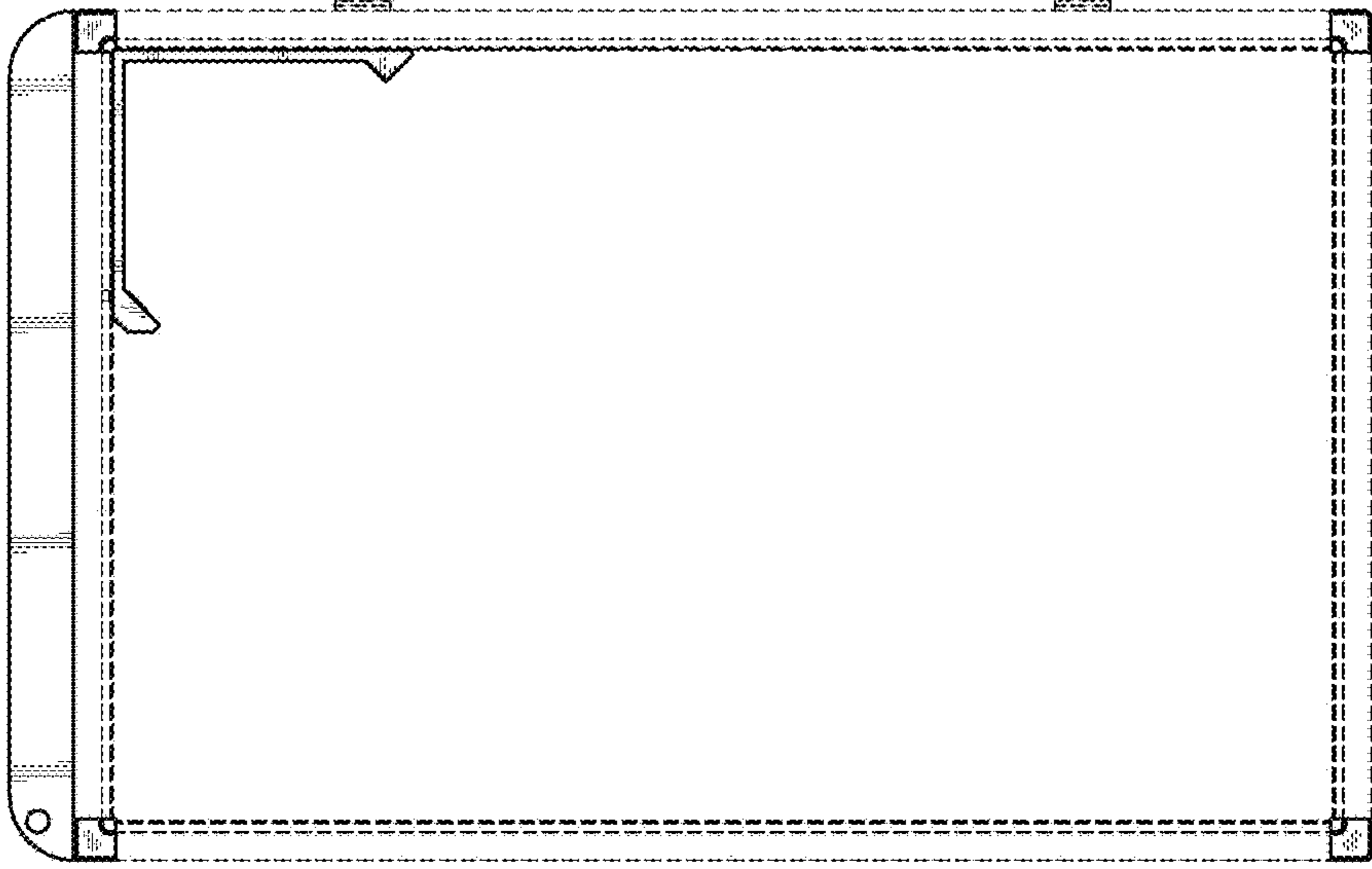


FIG. 4

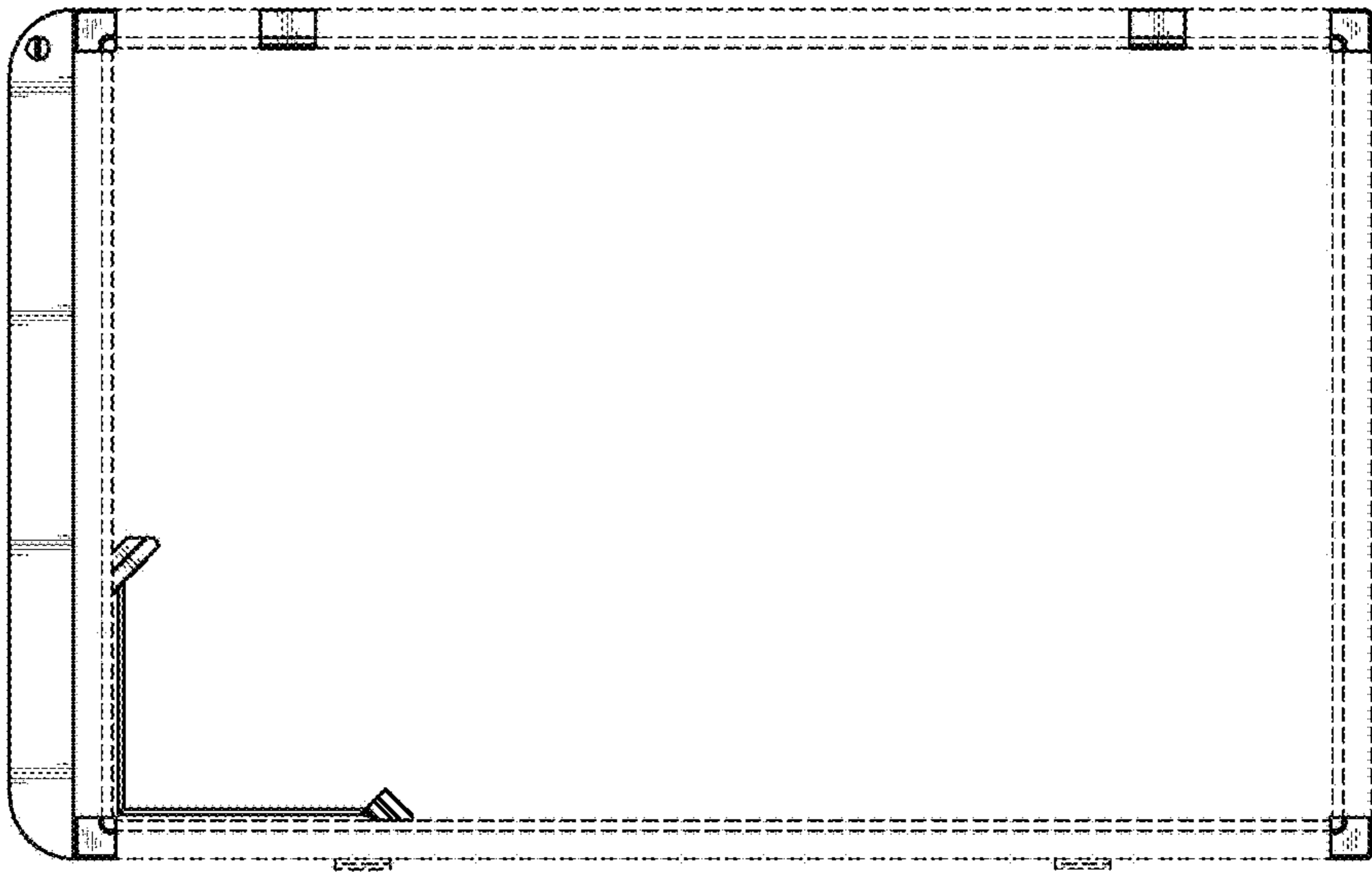


FIG. 3



FIG. 8

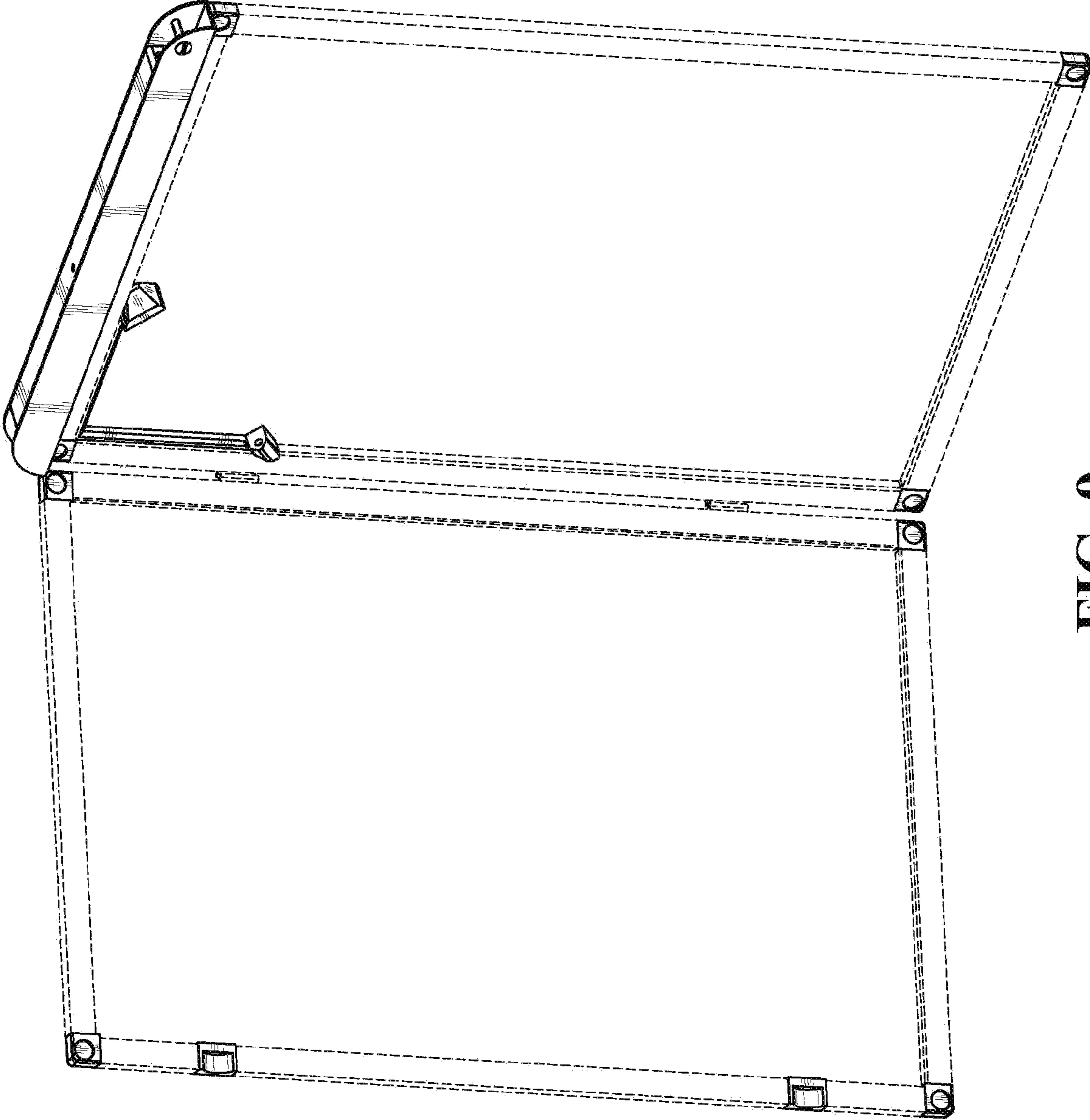


FIG. 9