



US00D950697S

(12) **United States Design Patent**
Zhan

(10) **Patent No.:** **US D950,697 S**

(45) **Date of Patent:** **** May 3, 2022**

(54) **AIR PURIFIER**

(71) Applicant: **Yunying Zhan**, Guigang (CN)

(72) Inventor: **Yunying Zhan**, Guigang (CN)

(**) Term: **15 Years**

(21) Appl. No.: **29/766,498**

(22) Filed: **Jan. 15, 2021**

(51) **LOC (13) Cl.** **23-04**

(52) **U.S. Cl.**
USPC **D23/364**

(58) **Field of Classification Search**
USPC D23/355-366, 352, 369, 332, 333, 335,
D23/336, 342, 351; 422/120, 122;
55/356, 473, 504; 96/97; 261/DIG. 17,
261/DIG. 65, DIG. 88, DIG. 31
CPC .. A61L 9/16; A61L 9/22; B01D 47/00; B01D
47/027; B01D 2221/02; B01D 2259/4508;
B03C 3/155; B03C 3/368; F24F 3/16;
F24F 13/20; F24F 13/28
See application file for complete search history.

(56) **References Cited**

U.S. PATENT DOCUMENTS

D877,874 S	*	3/2020	Liu	D23/364
D882,056 S	*	4/2020	Baillie	D23/364
D886,272 S	*	6/2020	Yang	D23/364
D886,975 S	*	6/2020	Yang	D23/364
D890,903 S	*	7/2020	Carling	D23/364
D903,846 S	*	12/2020	MacQueen	D23/364
D905,841 S	*	12/2020	Cao	D23/364

D906,501 S	*	12/2020	Lim	D23/364
D918,364 S	*	5/2021	Shu	D23/359
D918,371 S	*	5/2021	Zeng	D23/364
D935,591 S	*	11/2021	Xu	D23/364
D938,565 S	*	12/2021	Yang	D23/364
D938,566 S	*	12/2021	Yang	D23/364

* cited by examiner

Primary Examiner — David G Muller

(74) *Attorney, Agent, or Firm* — ScienBiziP, P.C.

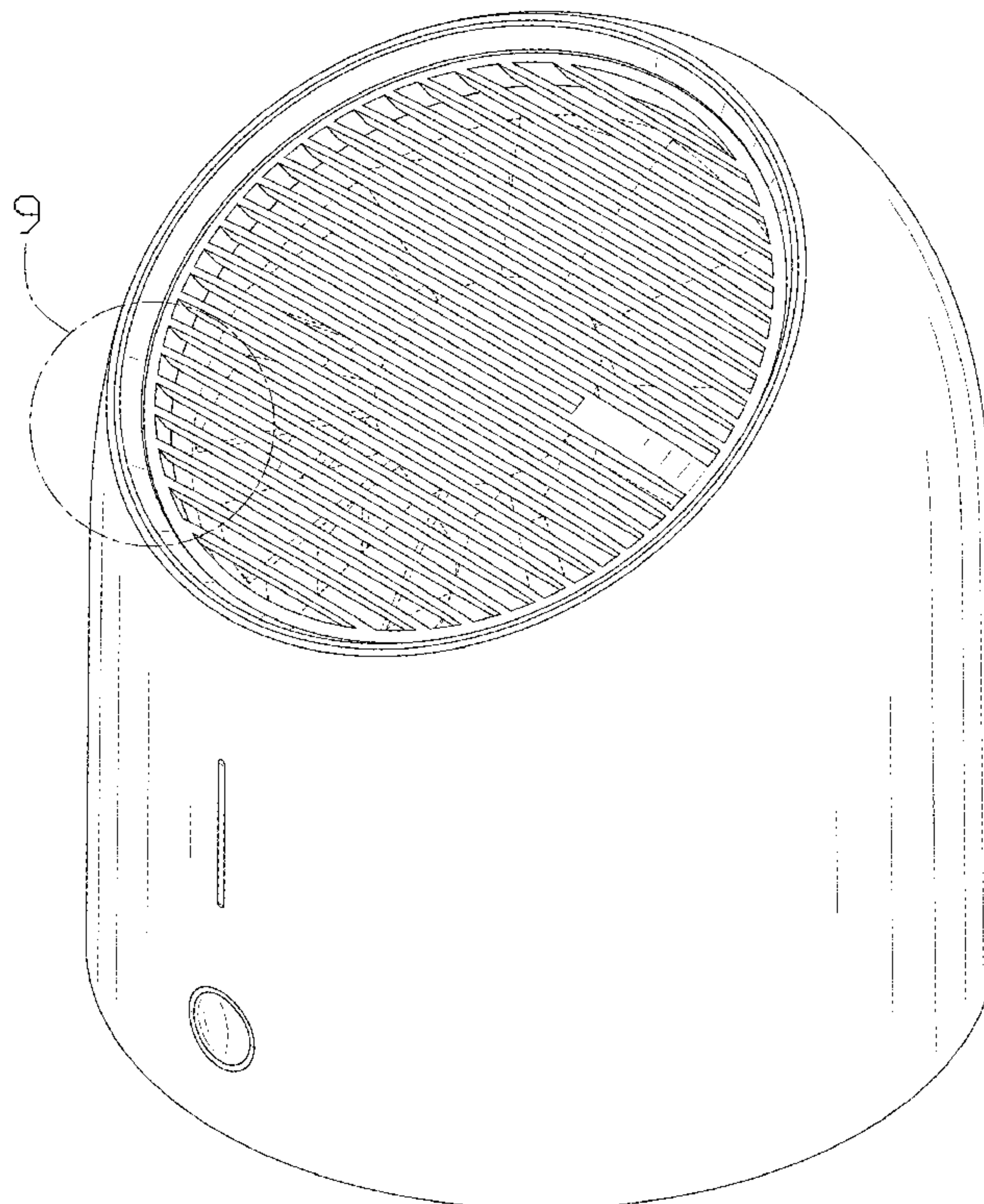
(57) **CLAIM**

The ornamental design for an air purifier, as shown and described.

DESCRIPTION

FIG. 1 is a front, right, and top perspective view of an air purifier, showing my design.
 FIG. 2 is a rear, left, and bottom perspective view thereof.
 FIG. 3 is a front elevation view thereof.
 FIG. 4 is a rear elevation view thereof.
 FIG. 5 is a left side elevation view thereof.
 FIG. 6 is a right side elevation view thereof.
 FIG. 7 is a top plan view thereof.
 FIG. 8 is a bottom plan view thereof.
 FIG. 9 is a partial enlarged view of a top shield labeled 9 in FIG. 1; and,
 FIG. 10 is a partial enlarged view of a bottom shield labeled 10 in FIG. 2.
 The broken lines shown in the drawings are included for the purpose of illustrating portions of the air purifier that form no part of the claimed design.

1 Claim, 10 Drawing Sheets



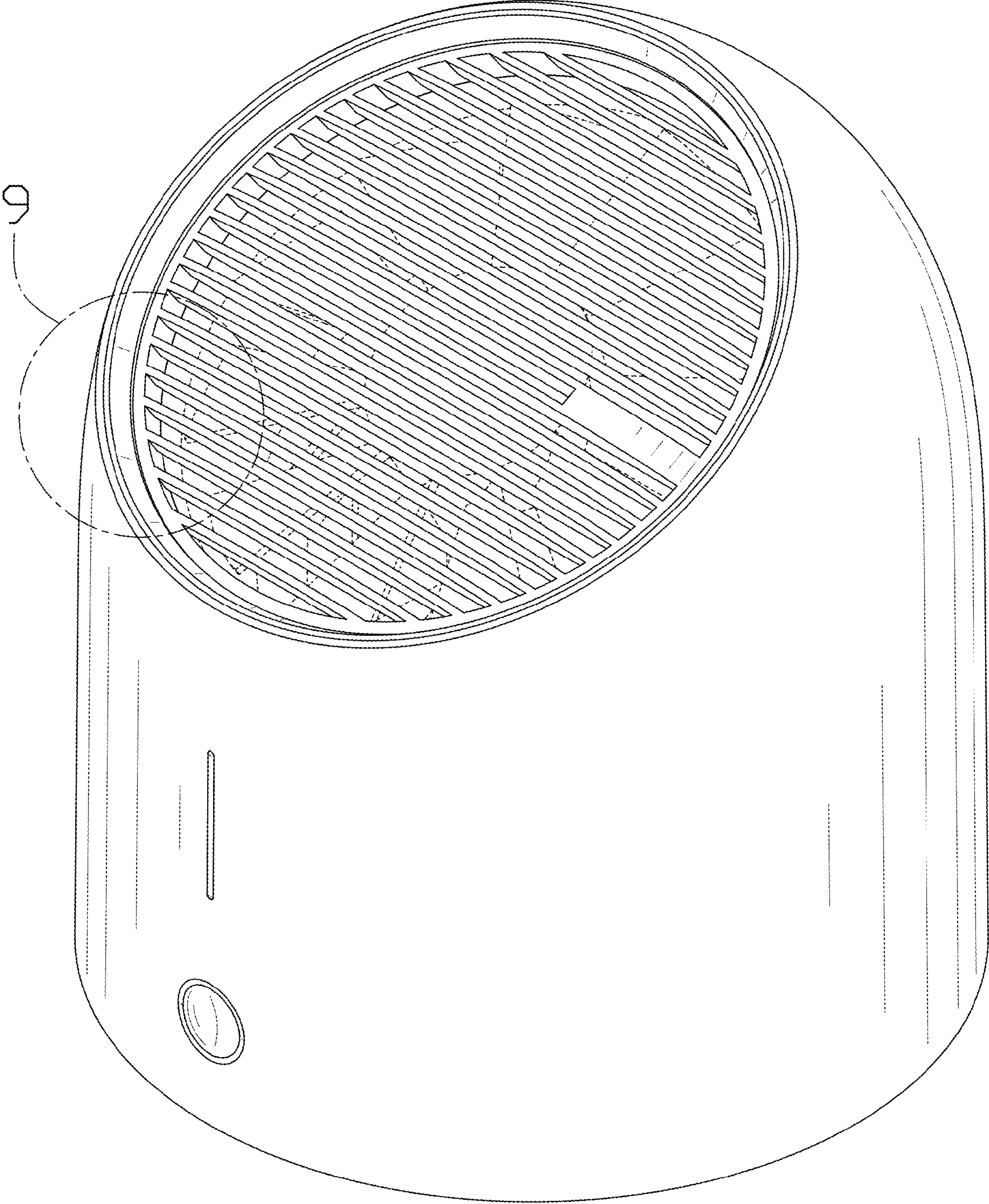


FIG. 1

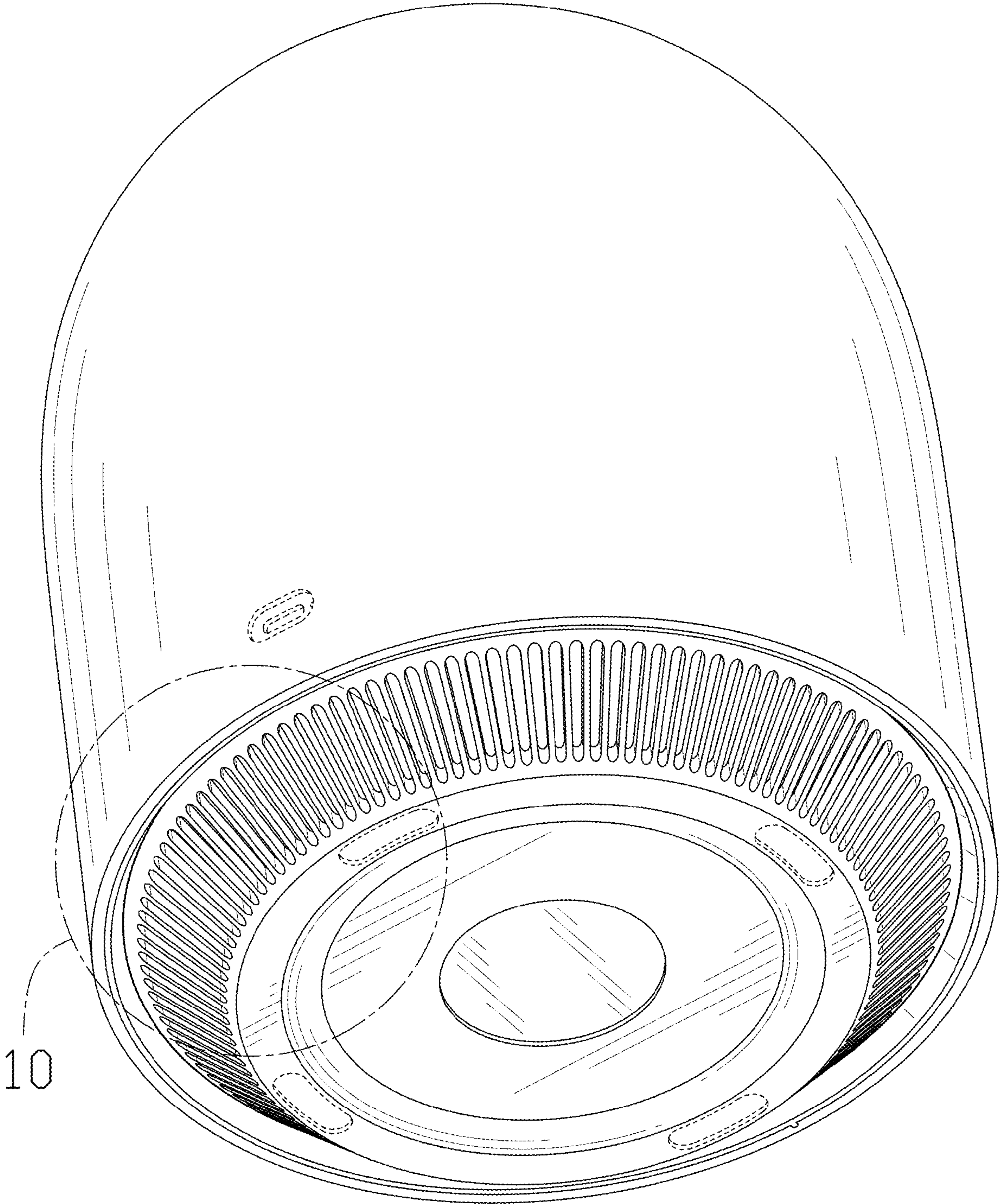


FIG. 2

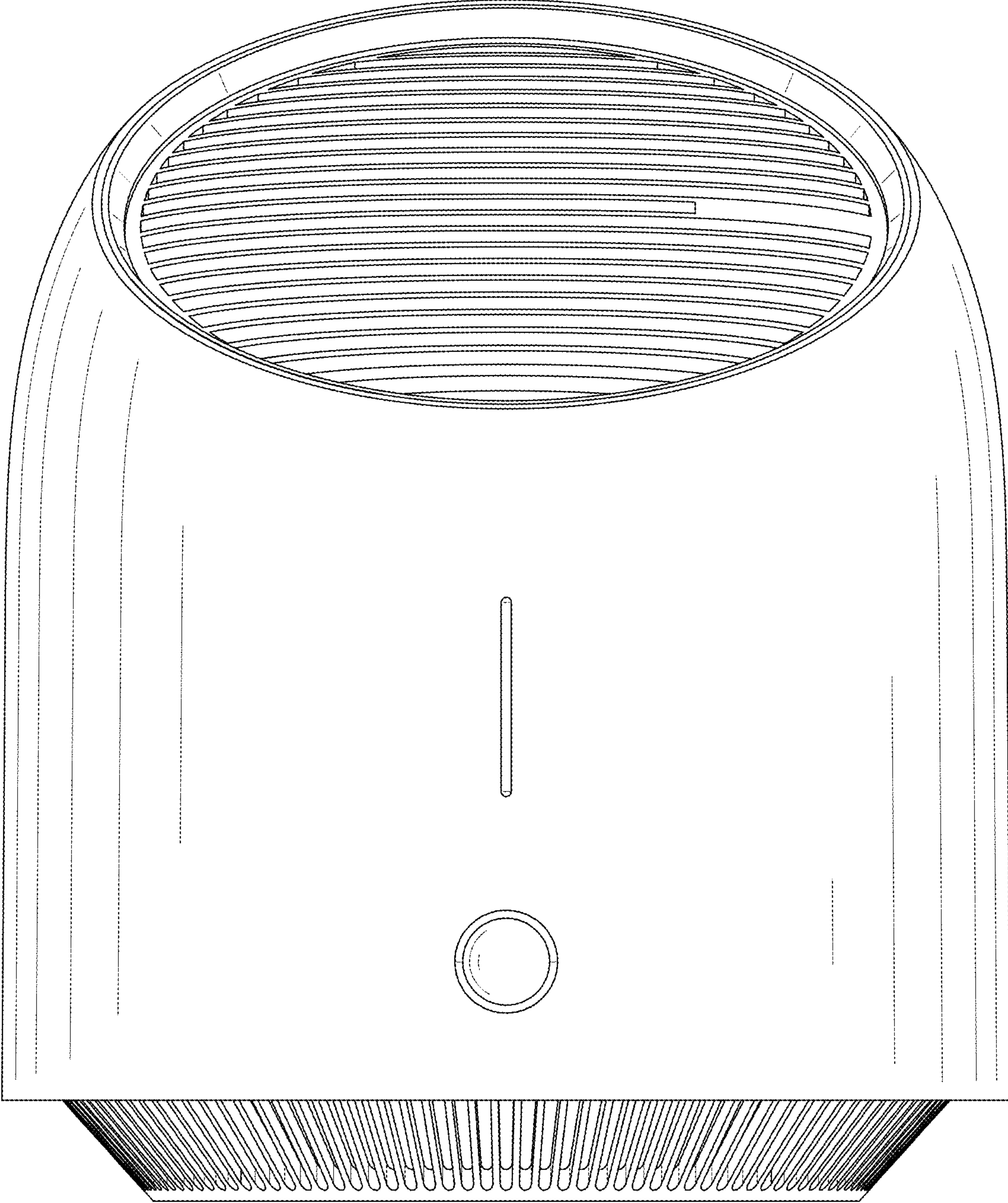


FIG. 3

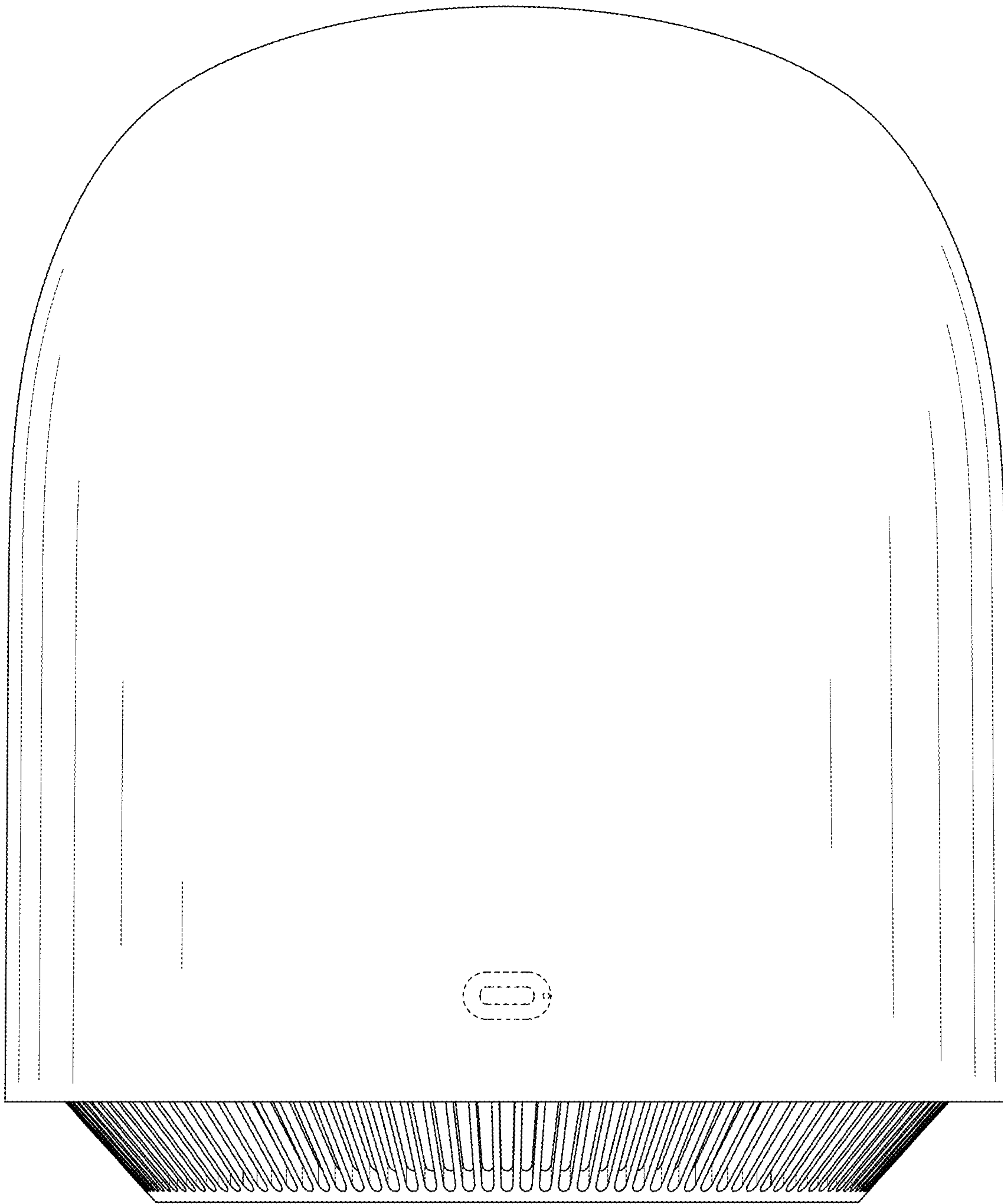


FIG. 4

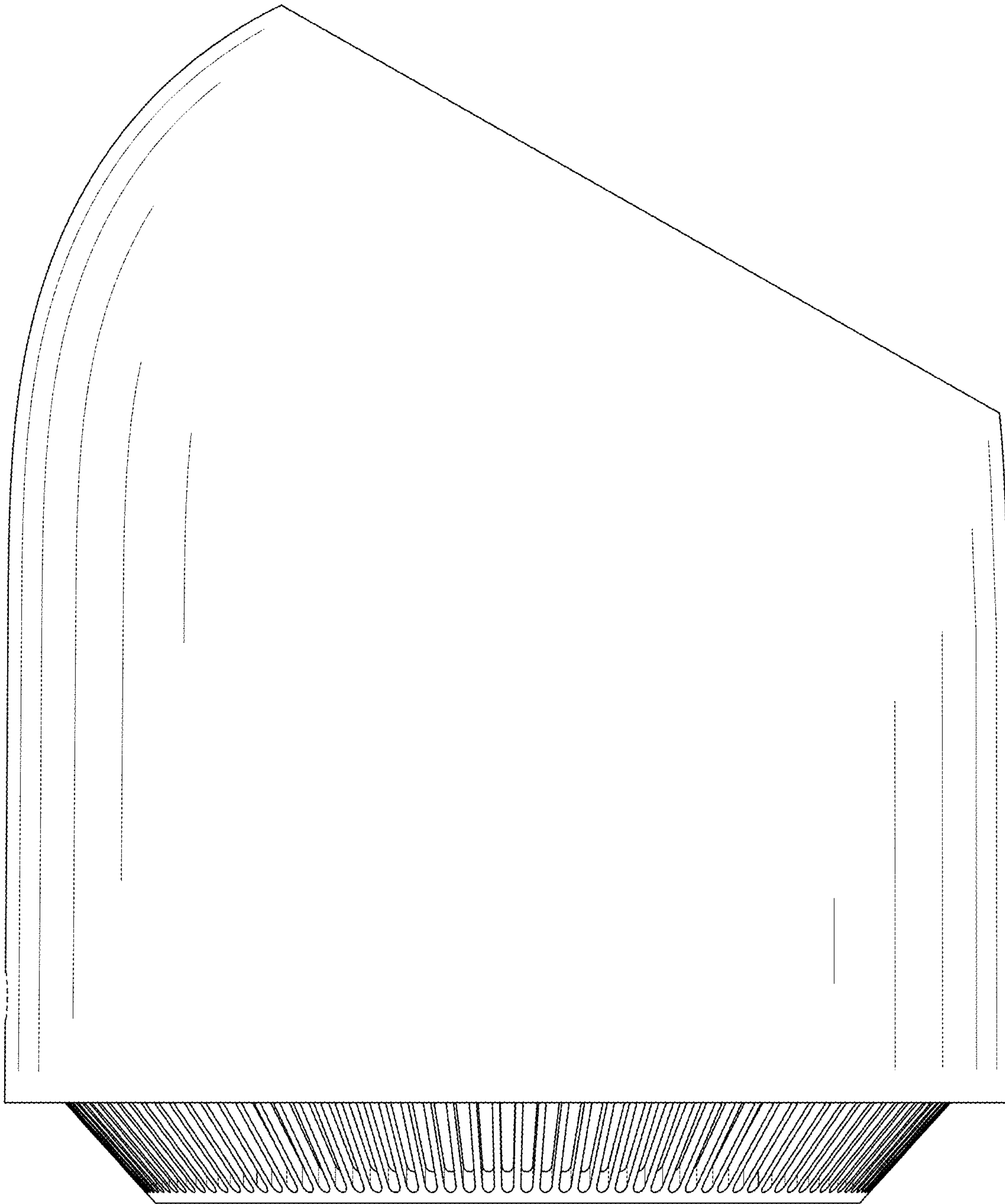


FIG. 5

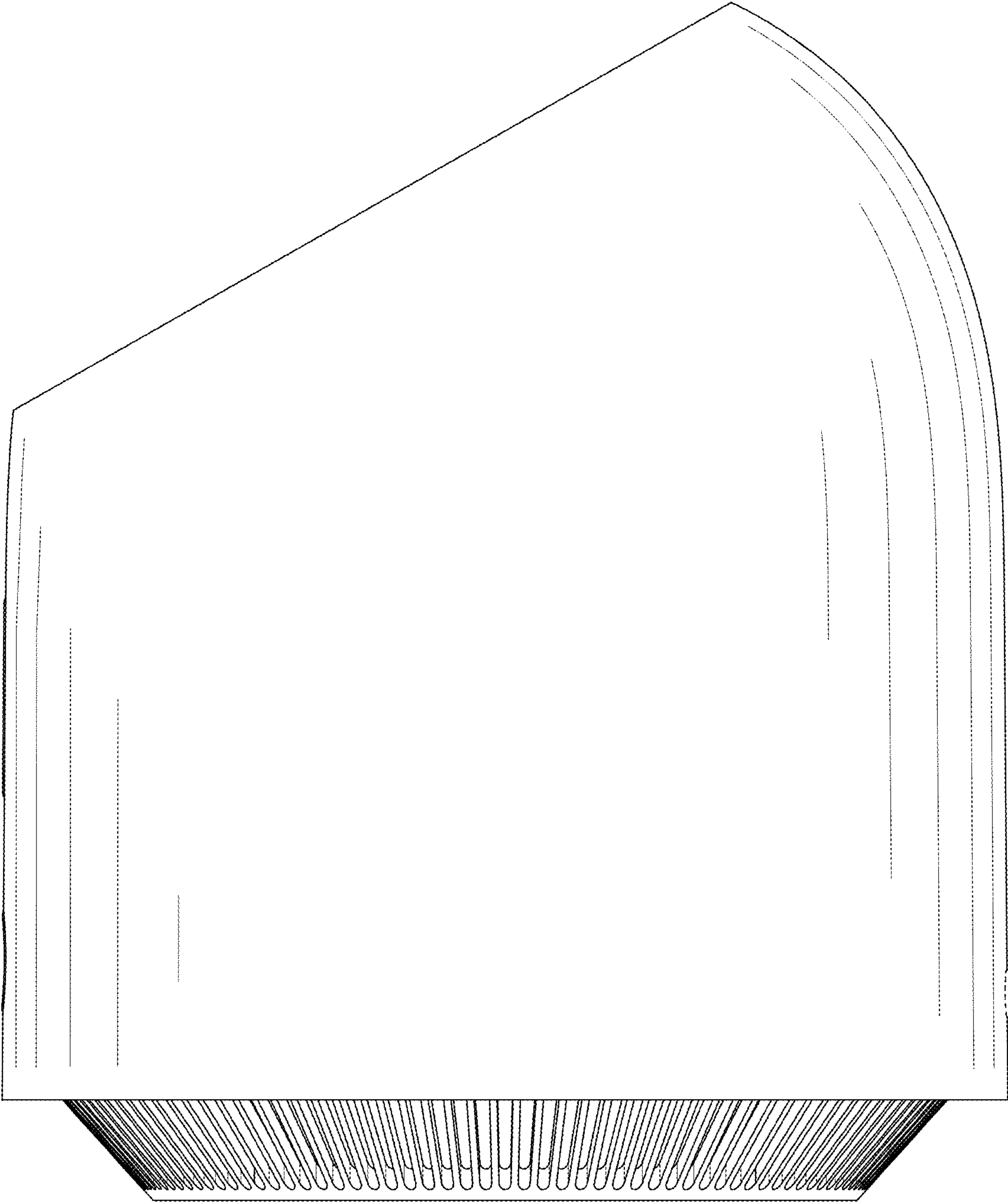


FIG. 6

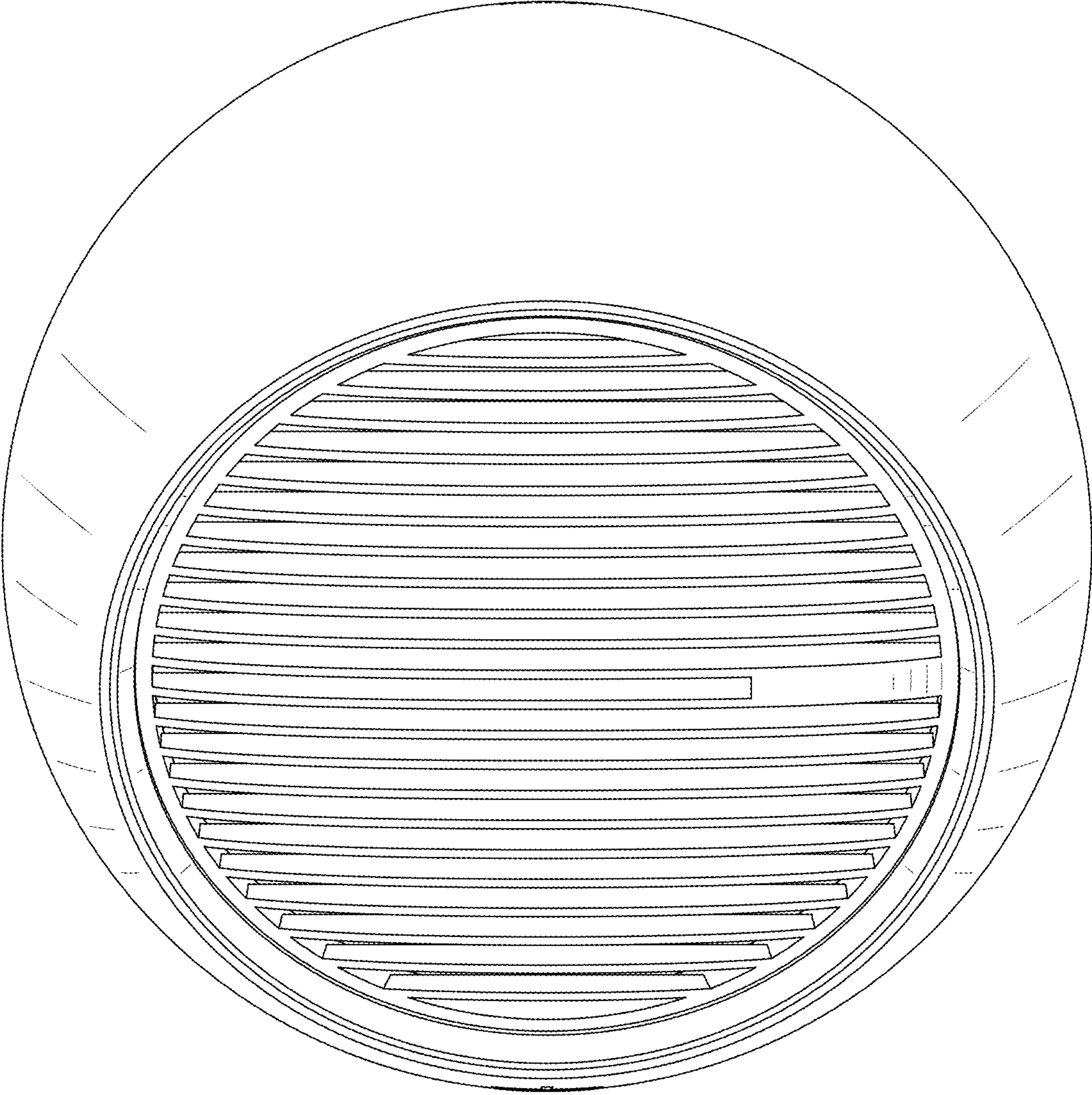


FIG. 7

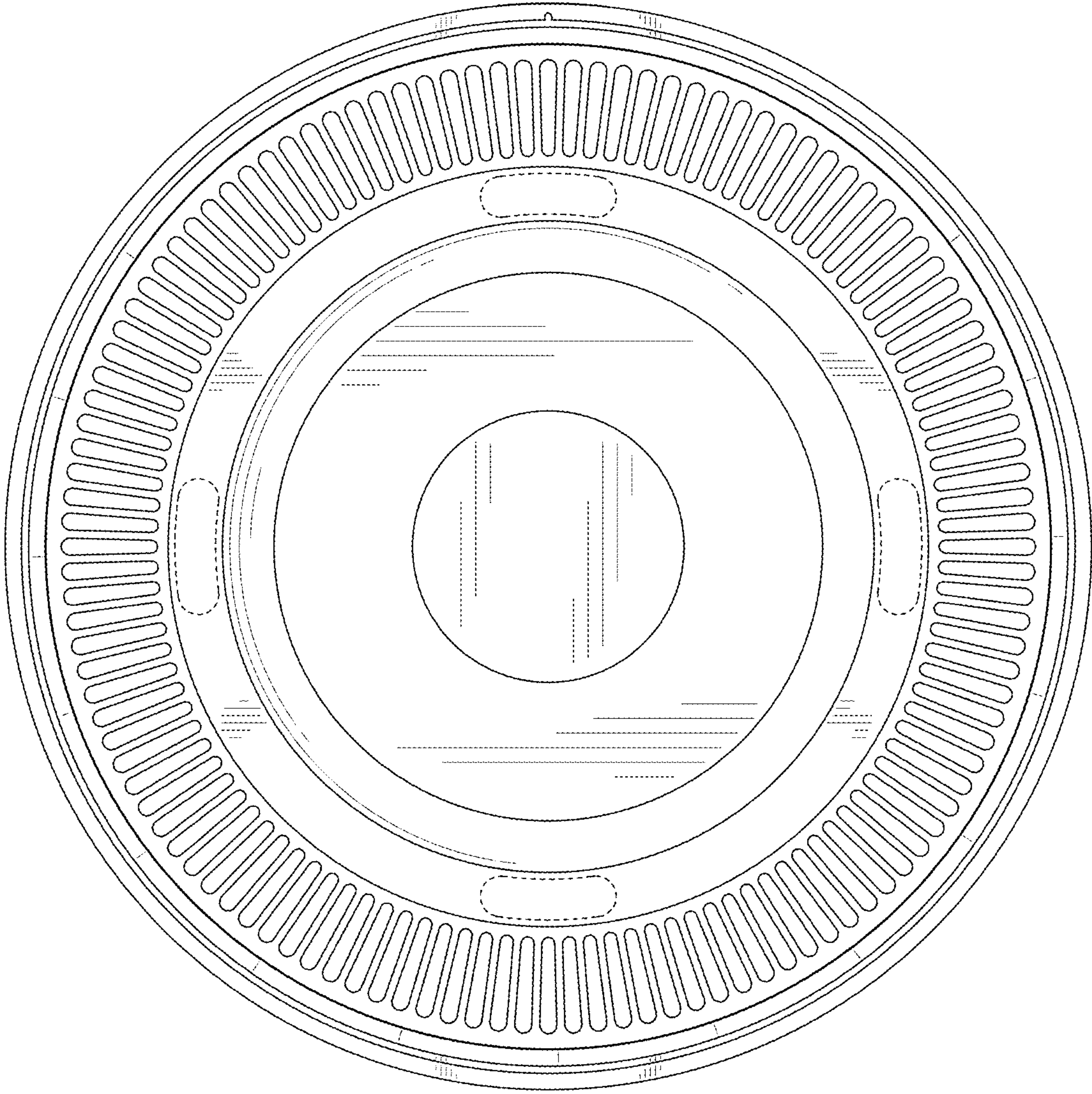


FIG. 8

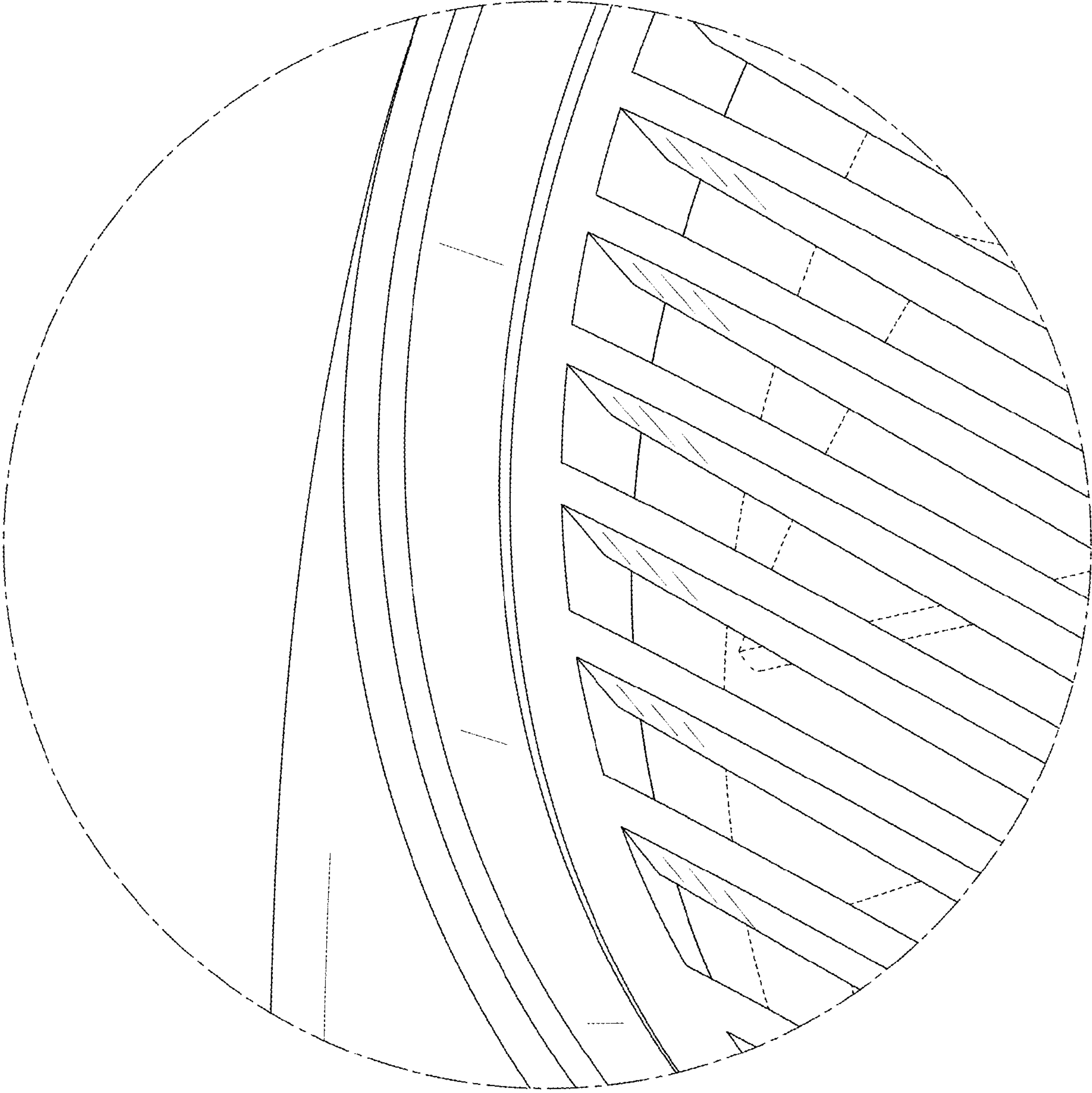


FIG. 9

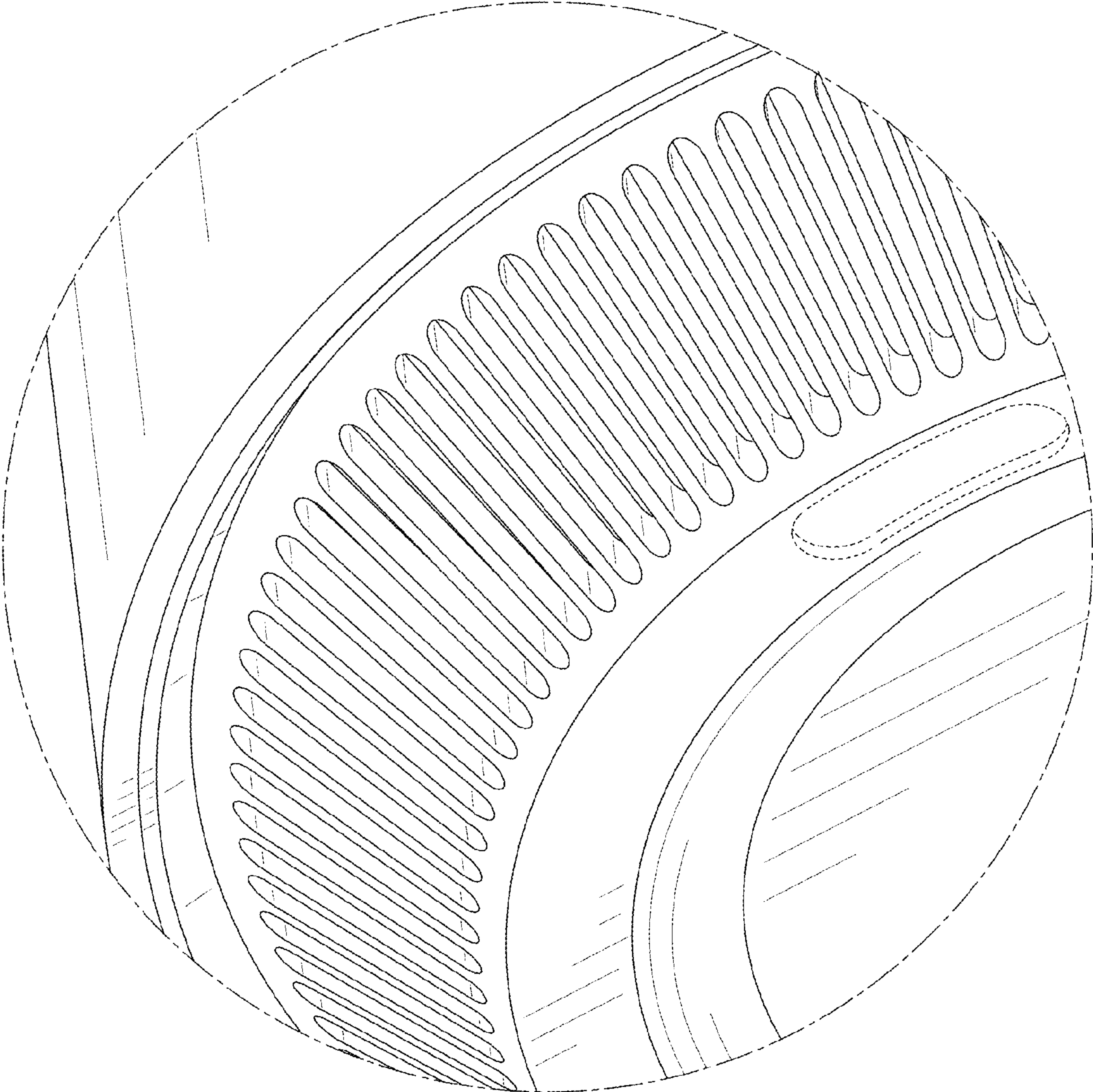


FIG. 10