



US00D950696S

(12) **United States Design Patent** (10) **Patent No.:** **US D950,696 S**
Xie (45) **Date of Patent:** **** May 3, 2022**

(54) **DEHUMIDIFIER**
(71) Applicant: **Chunfeng Xie**, Guangdong (CN)
(72) Inventor: **Chunfeng Xie**, Guangdong (CN)
(**) Term: **15 Years**
(21) Appl. No.: **29/781,470**
(22) Filed: **Apr. 30, 2021**
(51) **LOC (13) Cl.** **23-04**
(52) **U.S. Cl.**
USPC **D23/359**
(58) **Field of Classification Search**
USPC D23/355-366, 352, 369, 332, 333, 335,
D23/336, 342, 351; 422/120, 122;
55/356, 473, 504; 96/97; 261/DIG. 17,
261/DIG. 65, DIG. 88, DIG. 31
CPC .. A61L 9/16; A61L 9/22; B01D 47/00; B01D
47/027; B01D 2221/02; B01D 2259/4508;
B03C 3/155; B03C 3/368; F24F 3/16;
F24F 13/20; F24F 13/28
See application file for complete search history.

(56) **References Cited**
U.S. PATENT DOCUMENTS
D835,765 S * 12/2018 Chen D23/364
D852,344 S * 6/2019 Hua A61L 9/16
D23/364
D862,673 S * 10/2019 Tang D23/364
D865,148 S * 10/2019 Yoon D23/364

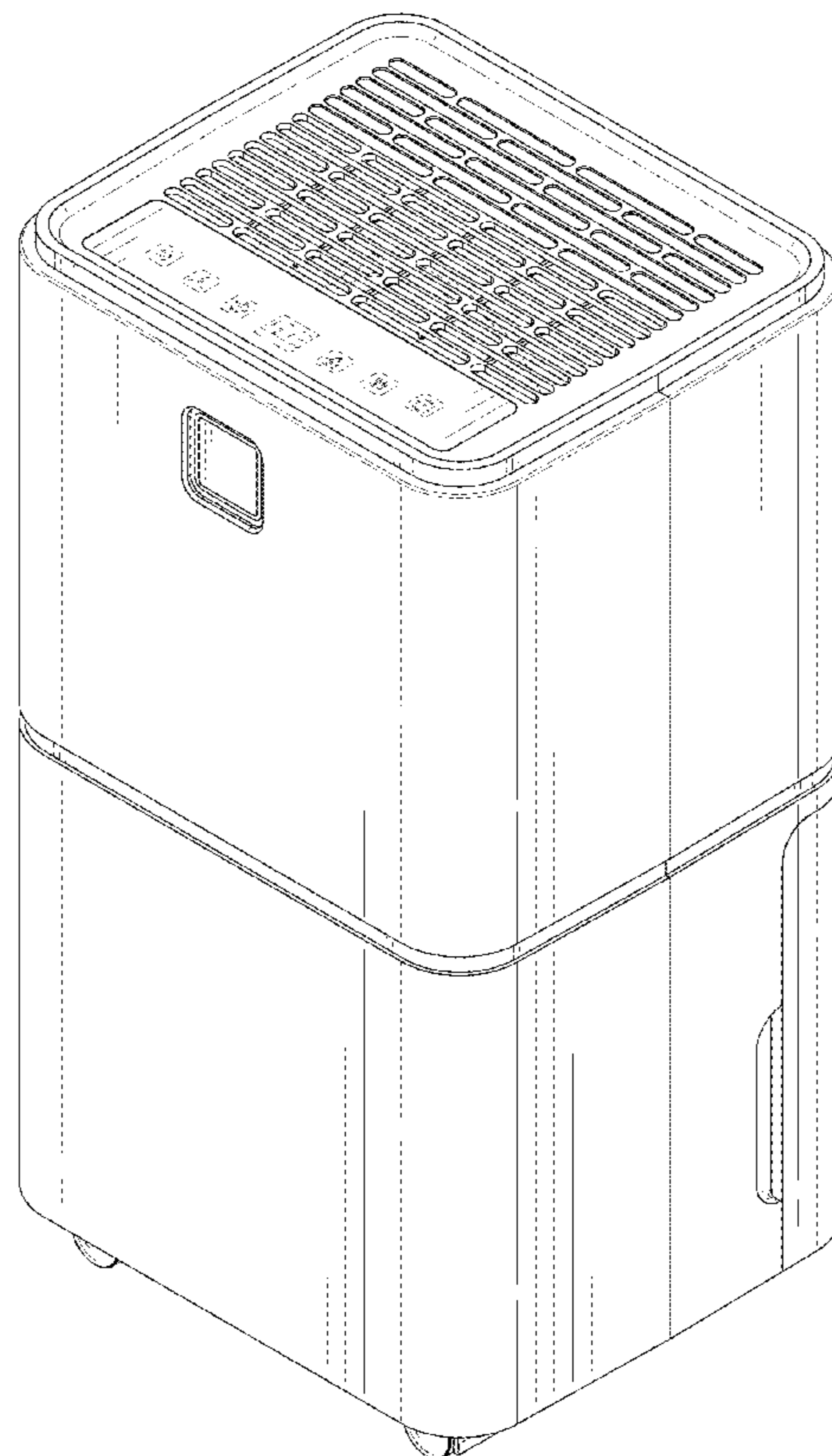
D884,861 S 5/2020 Seymour et al.
D898,889 S * 10/2020 Yu D23/364
D917,683 S * 4/2021 Xie D23/359
D918,365 S * 5/2021 Li D23/359
D928,298 S * 8/2021 Zuo D23/364
D933,798 S * 10/2021 Wang D23/364
D939,071 S * 12/2021 Seo D23/364
D941,979 S * 1/2022 Luo D23/359
D942,605 S * 2/2022 Yu D23/364
D943,076 S * 2/2022 Yu D23/364

* cited by examiner
Primary Examiner — David G Muller

(57) **CLAIM**
The ornamental design for a dehumidifier, as shown and described.

DESCRIPTION
FIG. 1 is a front and top perspective view of a dehumidifier, showing my new design;
FIG. 2 is a rear and bottom perspective view thereof;
FIG. 3 is a front elevation view thereof;
FIG. 4 is a rear elevation view thereof;
FIG. 5 is a left side elevation view thereof;
FIG. 6 is a right side elevation view thereof;
FIG. 7 is a top plan view thereof; and,
FIG. 8 is a bottom plan view thereof.
The dashed broken lines in the figures illustrate portions of the dehumidifier that form no part of the claimed design.

1 Claim, 8 Drawing Sheets



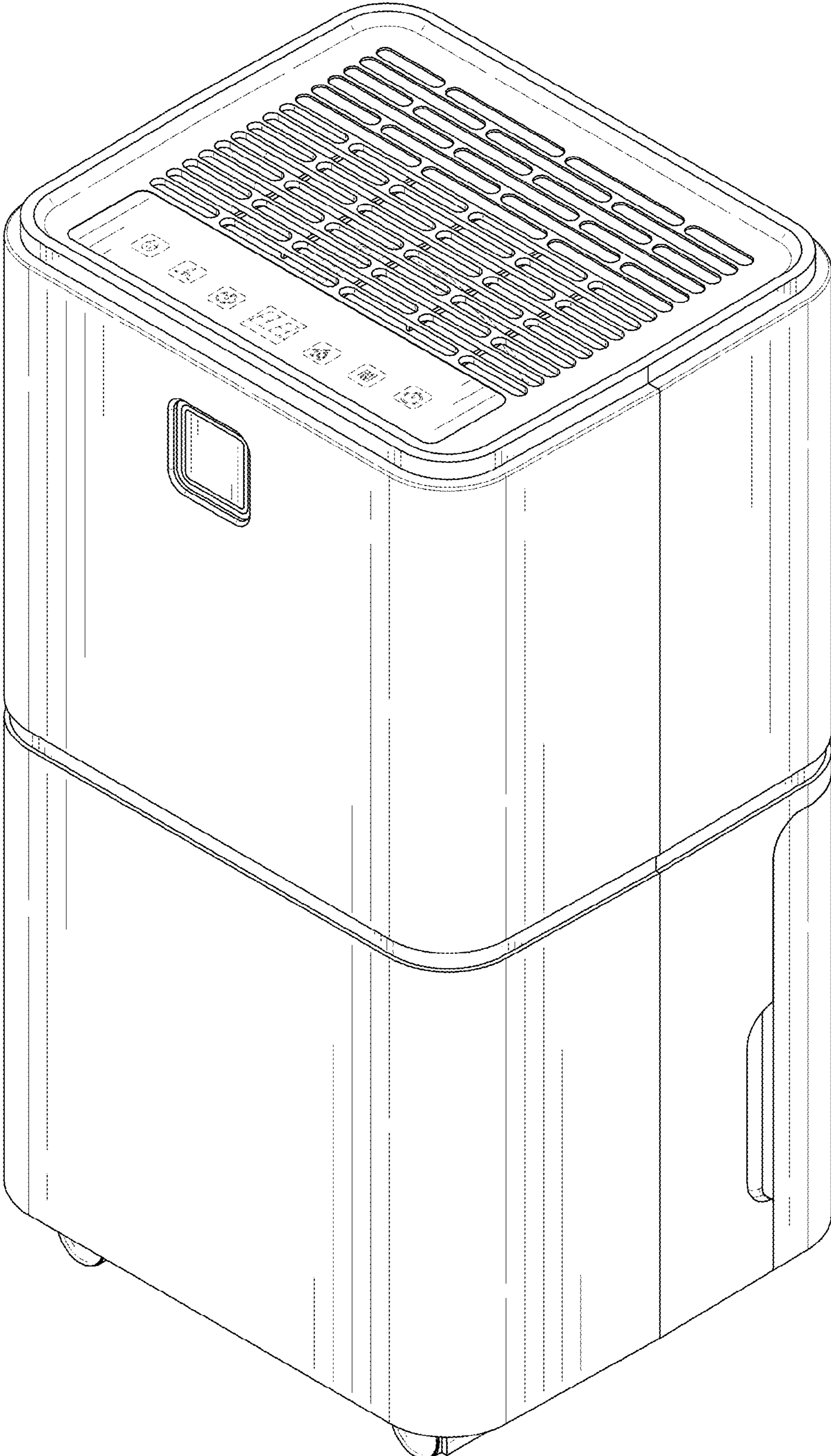


FIG. 1

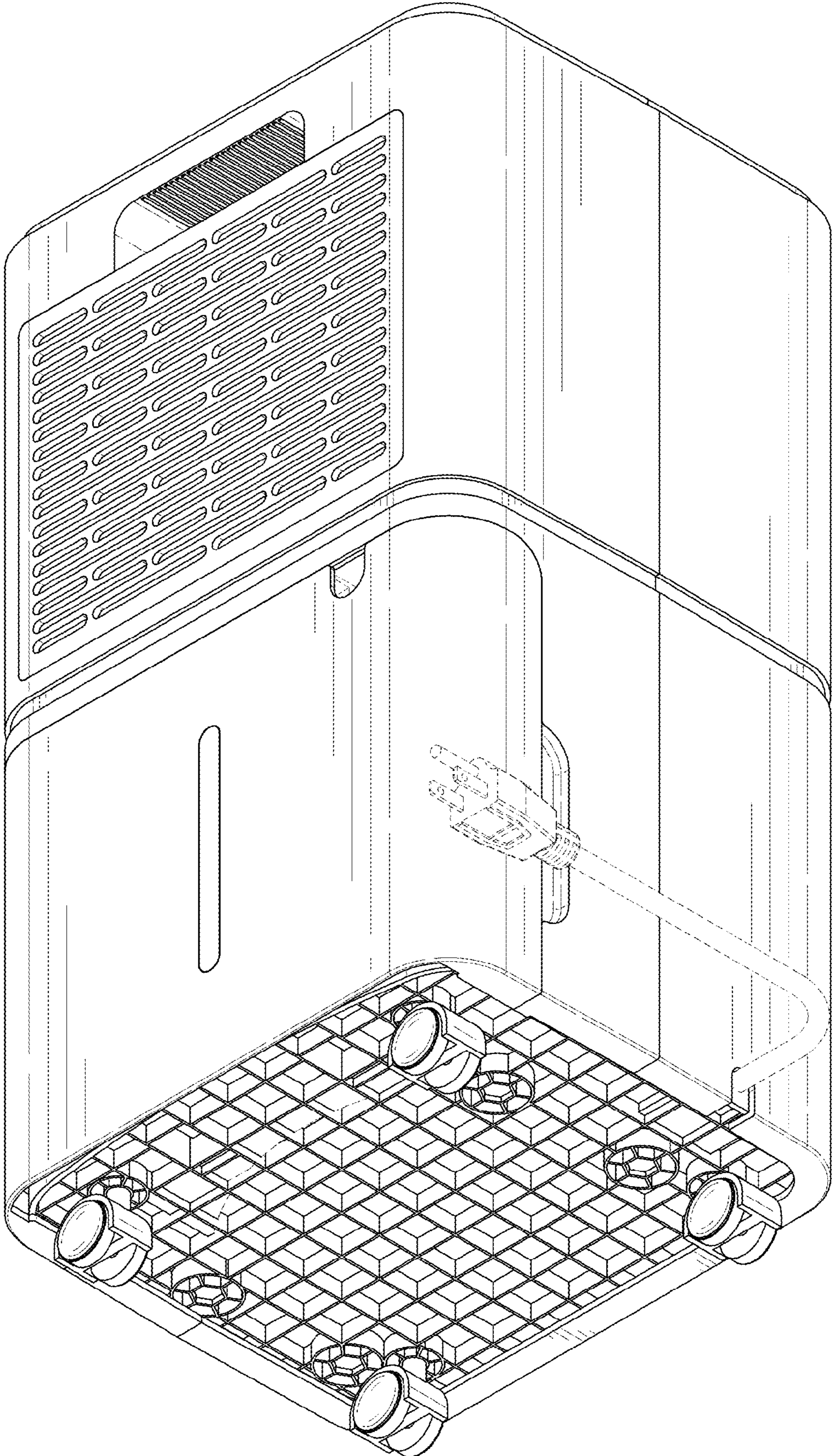


FIG. 2

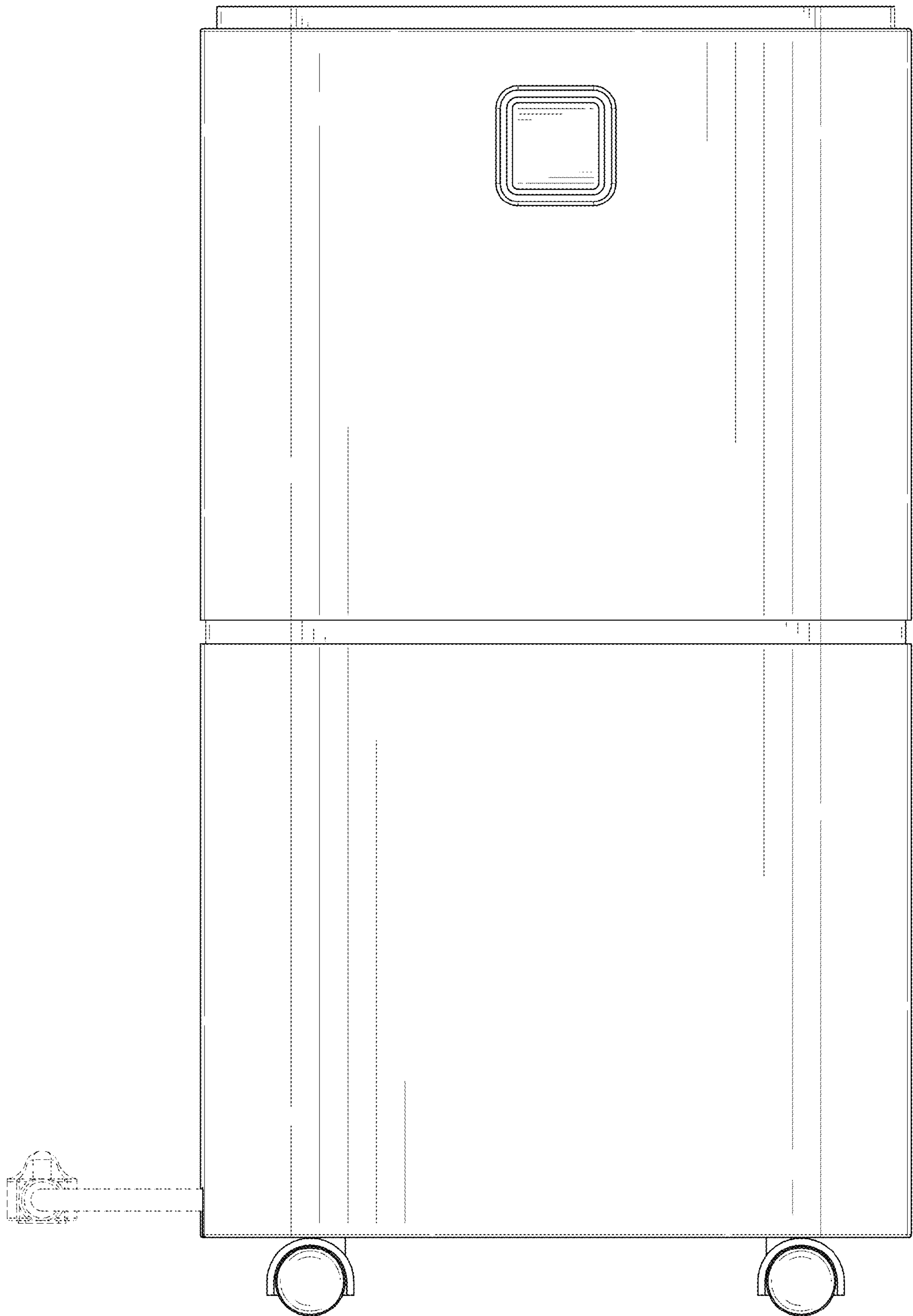


FIG. 3

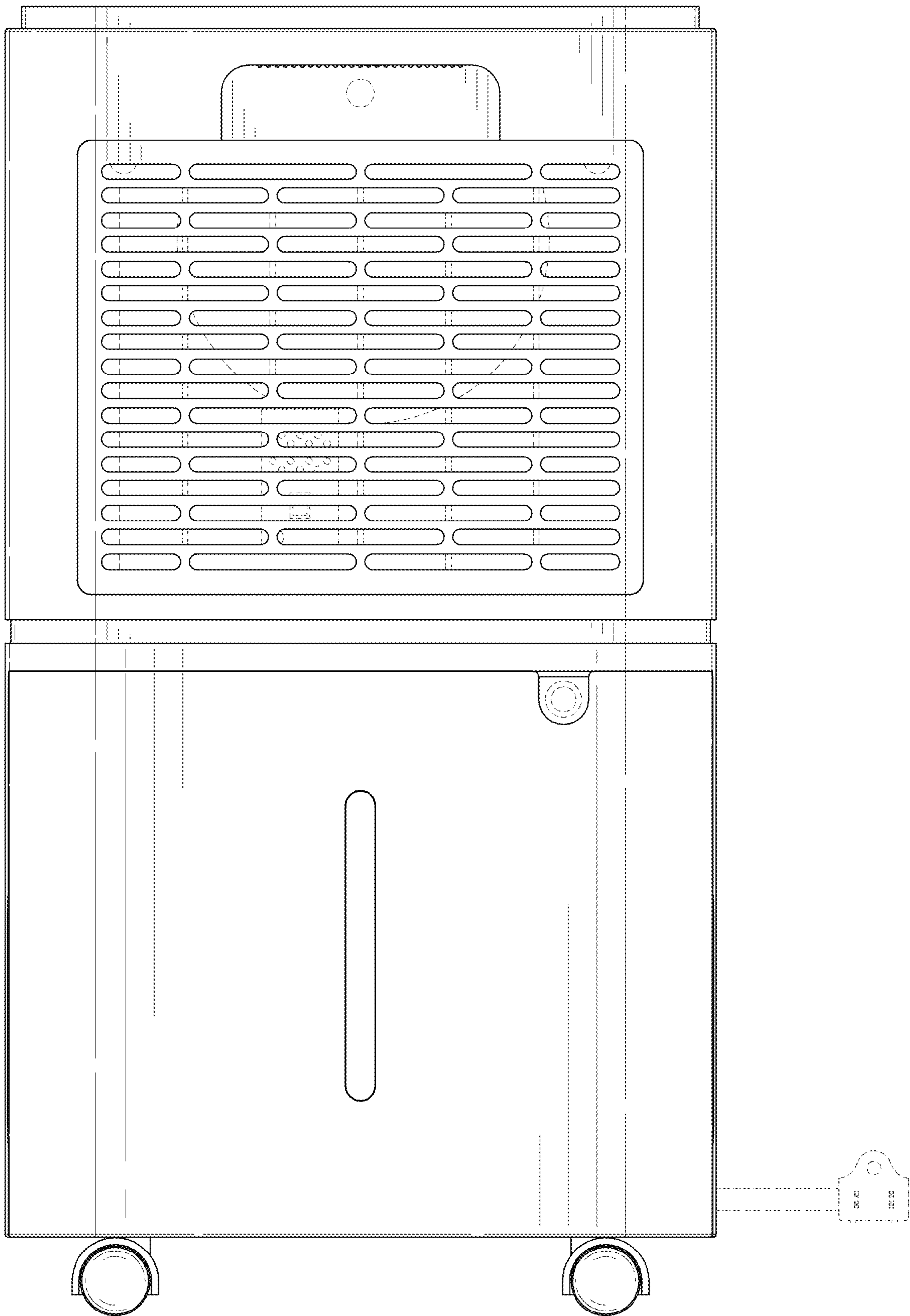


FIG. 4

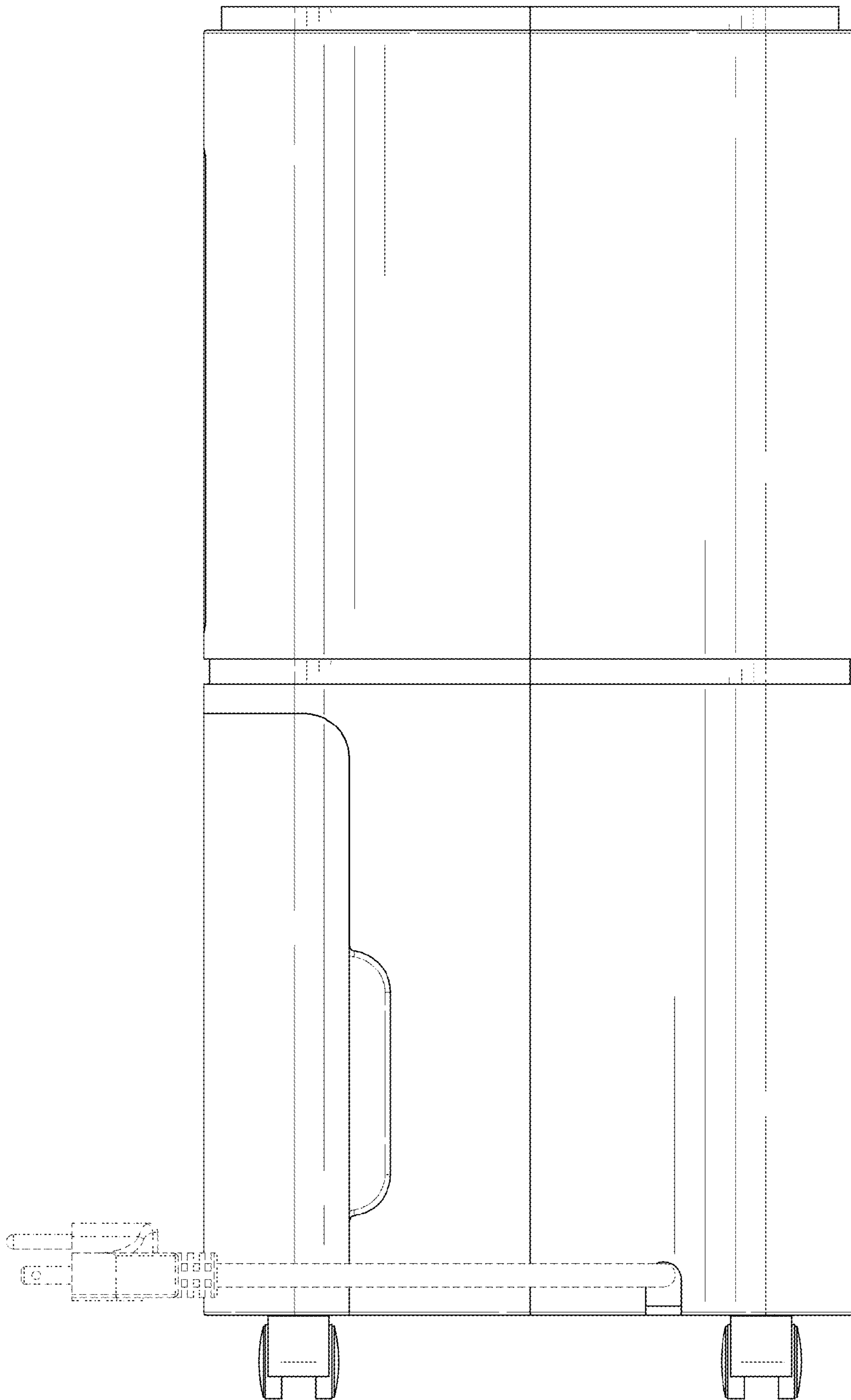


FIG. 5

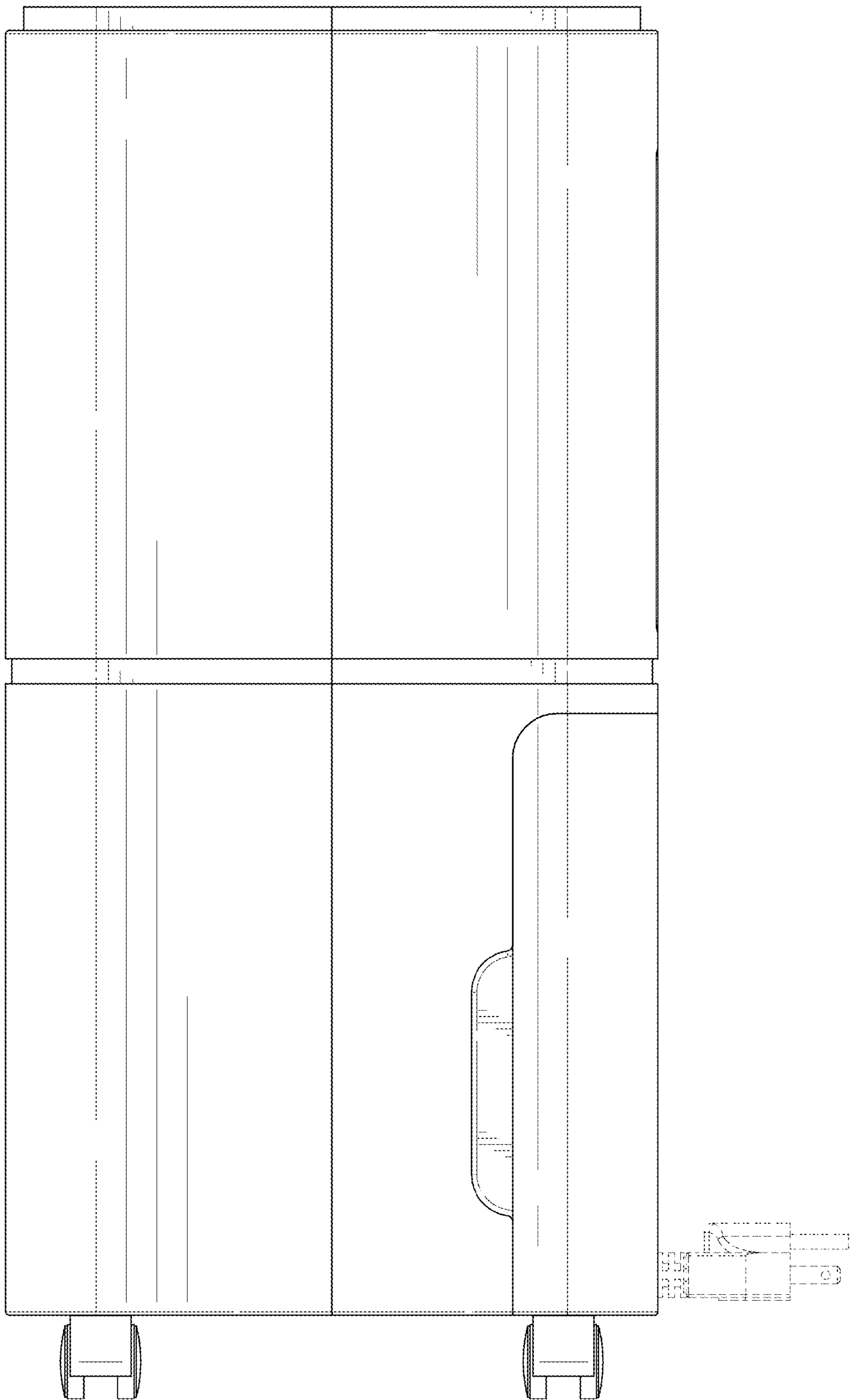


FIG. 6

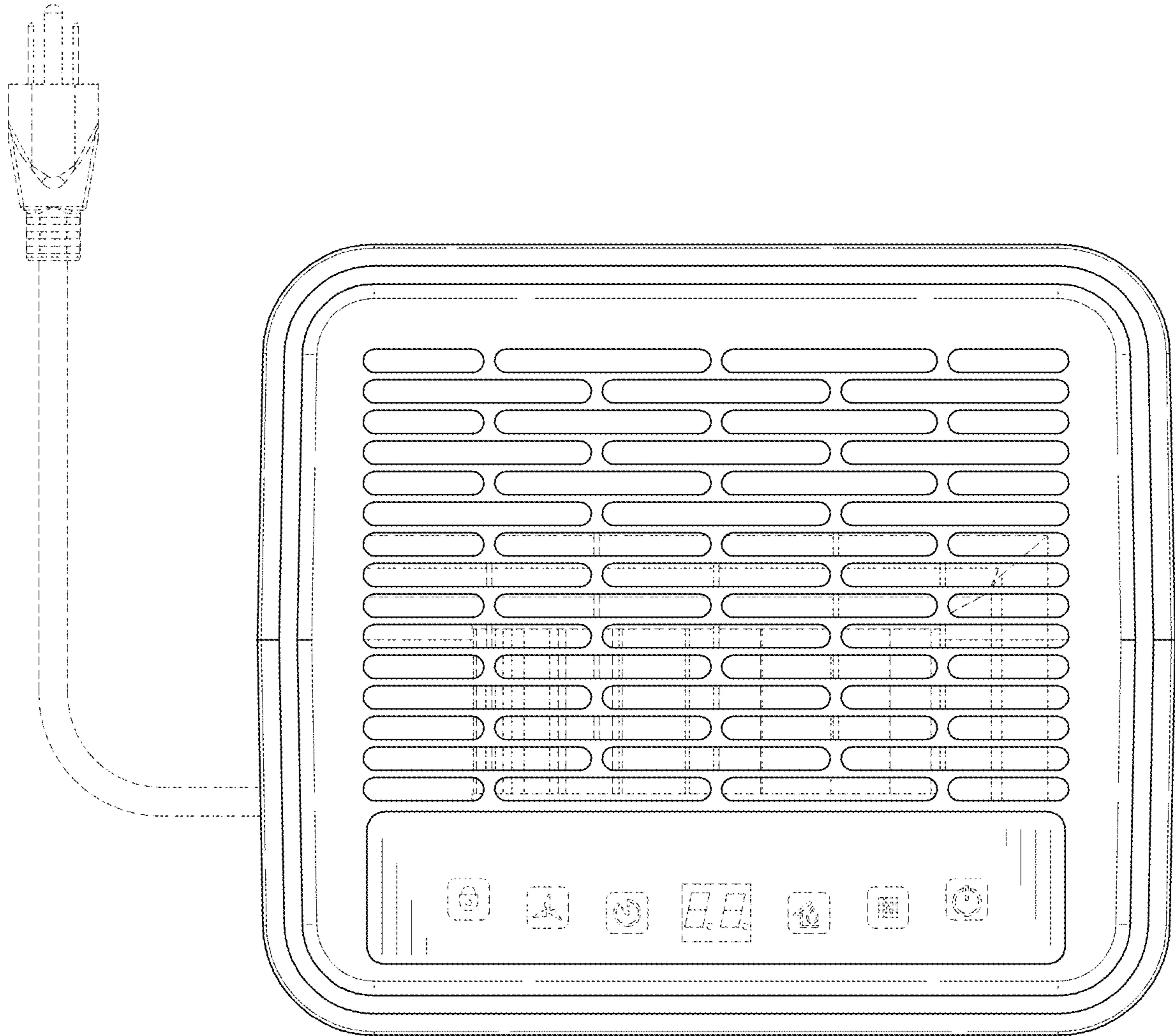


FIG. 7

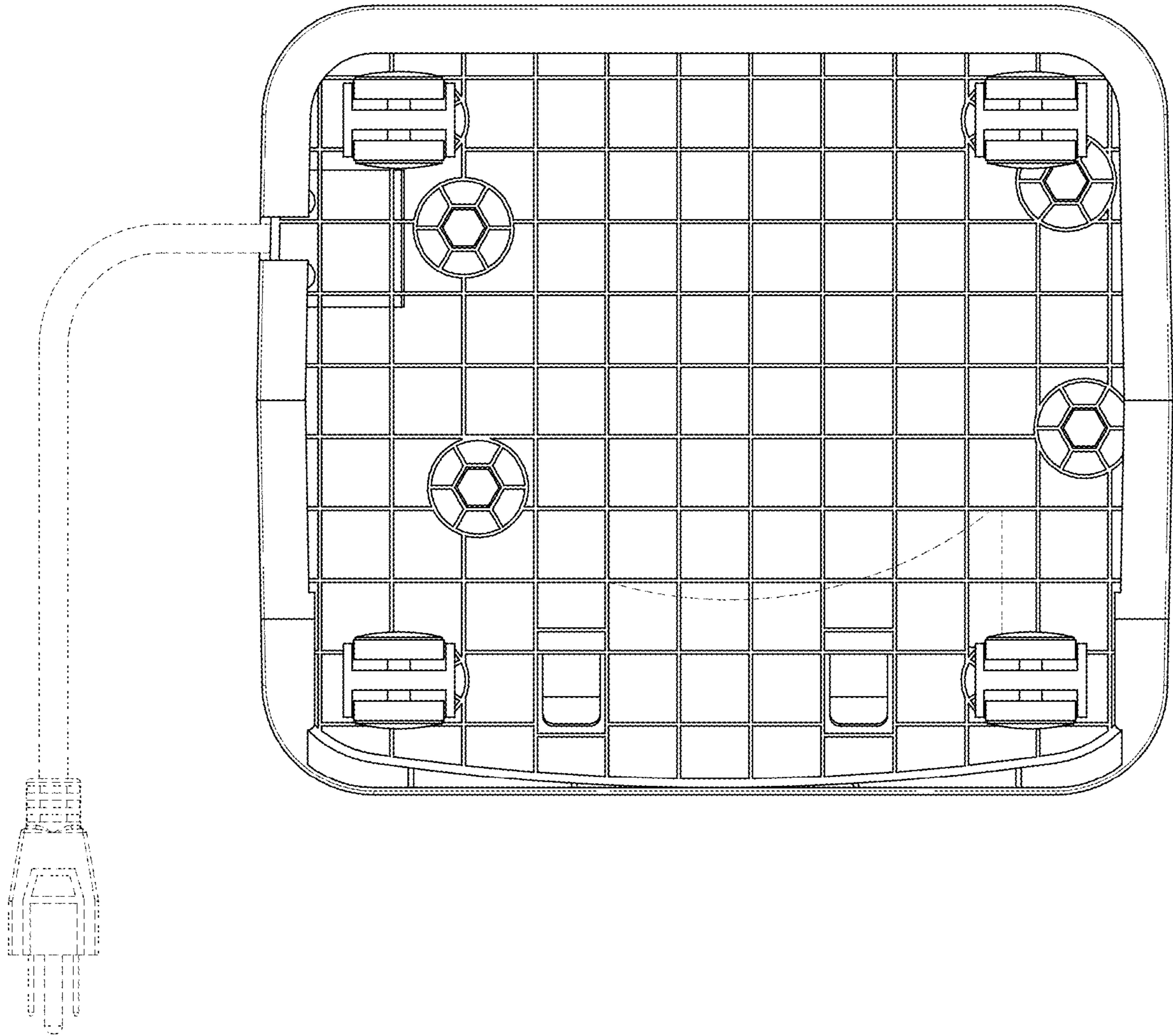


FIG. 8