



US00D950694S

(12) **United States Design Patent**
Tang

(10) **Patent No.:** **US D950,694 S**

(45) **Date of Patent:** **** May 3, 2022**

(54) **COMBINED FAN WITH HUMIDIFIER**

(71) Applicants: **Shenzhen Zhongxin Technology Co., Ltd.**, Shenzhen (CN); **Shenzhen Herui Zhengyang Technology Co., Ltd.**, Shenzhen (CN)

(72) Inventor: **Qilin Tang**, Guangdong (CN)

(**) Term: **15 Years**

(21) Appl. No.: **29/755,337**

(22) Filed: **Oct. 20, 2020**

(30) **Foreign Application Priority Data**

Sep. 11, 2020 (CN) 202030538147.2

(51) **LOC (13) Cl.** **23-04**

(52) **U.S. Cl.**
USPC **D23/356**

(58) **Field of Classification Search**
USPC D23/355-366, 352, 369, 332, 333, 335, D23/336, 342, 351; 422/120, 122; 55/356, 473, 504; 96/97; 261/DIG. 17, 261/DIG. 65, DIG. 88, DIG. 31
CPC .. A61L 9/16; A61L 9/22; B01D 47/00; B01D 47/027; B01D 2221/02; B01D 2259/4508; B03C 3/155; B03C 3/368; F24F 3/16; F24F 13/20; F24F 13/28
See application file for complete search history.

(56) **References Cited**

U.S. PATENT DOCUMENTS

9,713,783 B2 * 7/2017 Yu F24F 13/20
D838,825 S * 1/2019 Sullivan D23/366
D879,274 S * 3/2020 Hu D23/356

D899,571 S * 10/2020 Li D23/359
D905,836 S * 12/2020 Lu D23/333
D906,500 S * 12/2020 Seo D23/356
D906,501 S * 12/2020 Lim D23/364
D912,795 S * 3/2021 Wang D23/364
D916,262 S * 4/2021 Wang D23/356
D919,071 S * 5/2021 Zheng D23/364
D920,494 S * 5/2021 Shah D23/366
D931,432 S * 9/2021 Baillie D23/356
D932,606 S * 10/2021 Wang D23/356
D933,294 S * 10/2021 Deng D28/44.1

* cited by examiner

Primary Examiner — David G Muller

(57) **CLAIM**

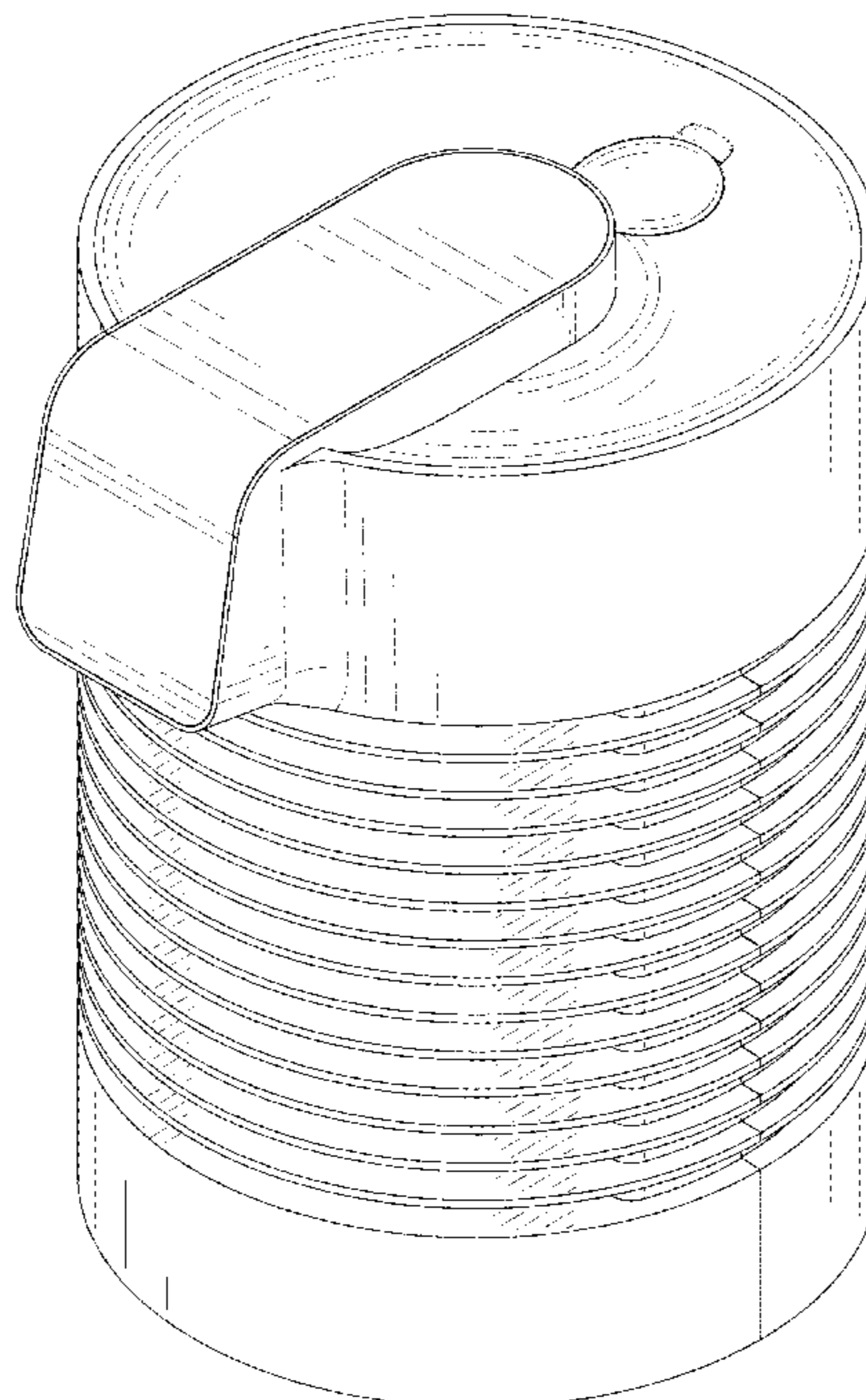
The ornamental design for a combined fan with humidifier, as shown and described.

DESCRIPTION

FIG. 1 is a front and top perspective view of a combined fan with humidifier, showing my new design;
FIG. 2 is a rear and bottom perspective view thereof;
FIG. 3 is a front elevational view thereof;
FIG. 4 is a rear elevational view thereof;
FIG. 5 is a left side elevational view thereof;
FIG. 6 is a right side elevational view thereof;
FIG. 7 is a top plan view thereof;
FIG. 8 is a bottom plan view thereof; and,
FIG. 9 is an enlarged view of a portion indicated with numeric 9 in FIG. 2.

The dash dot dash lines in FIGS. 2 and 9 are for the purpose of depicting the cut line of the enlarged view and form no part of the claim. The broken lines in the figures illustrate portions of the article that form no part of the claimed design.

1 Claim, 9 Drawing Sheets



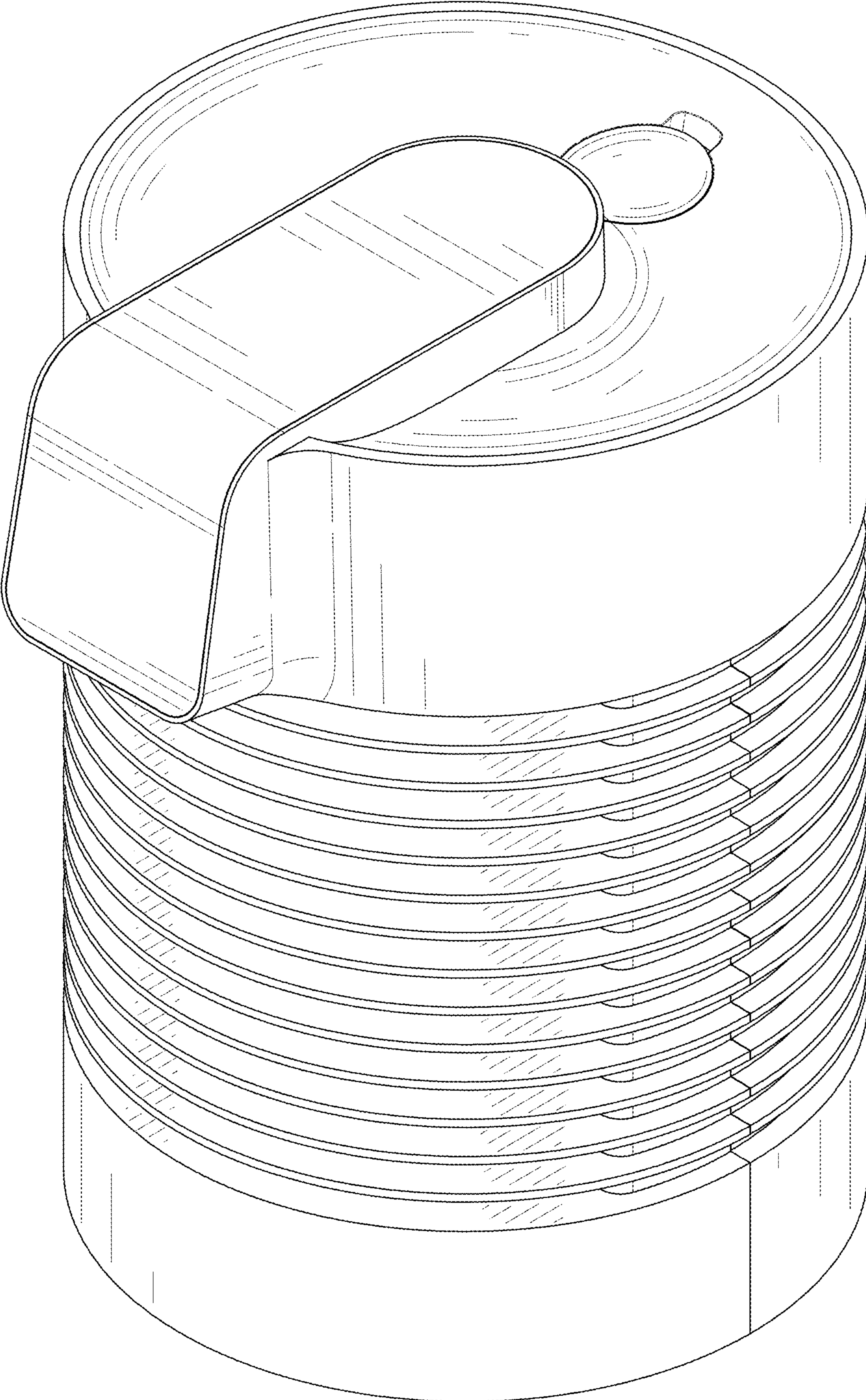


FIG. 1

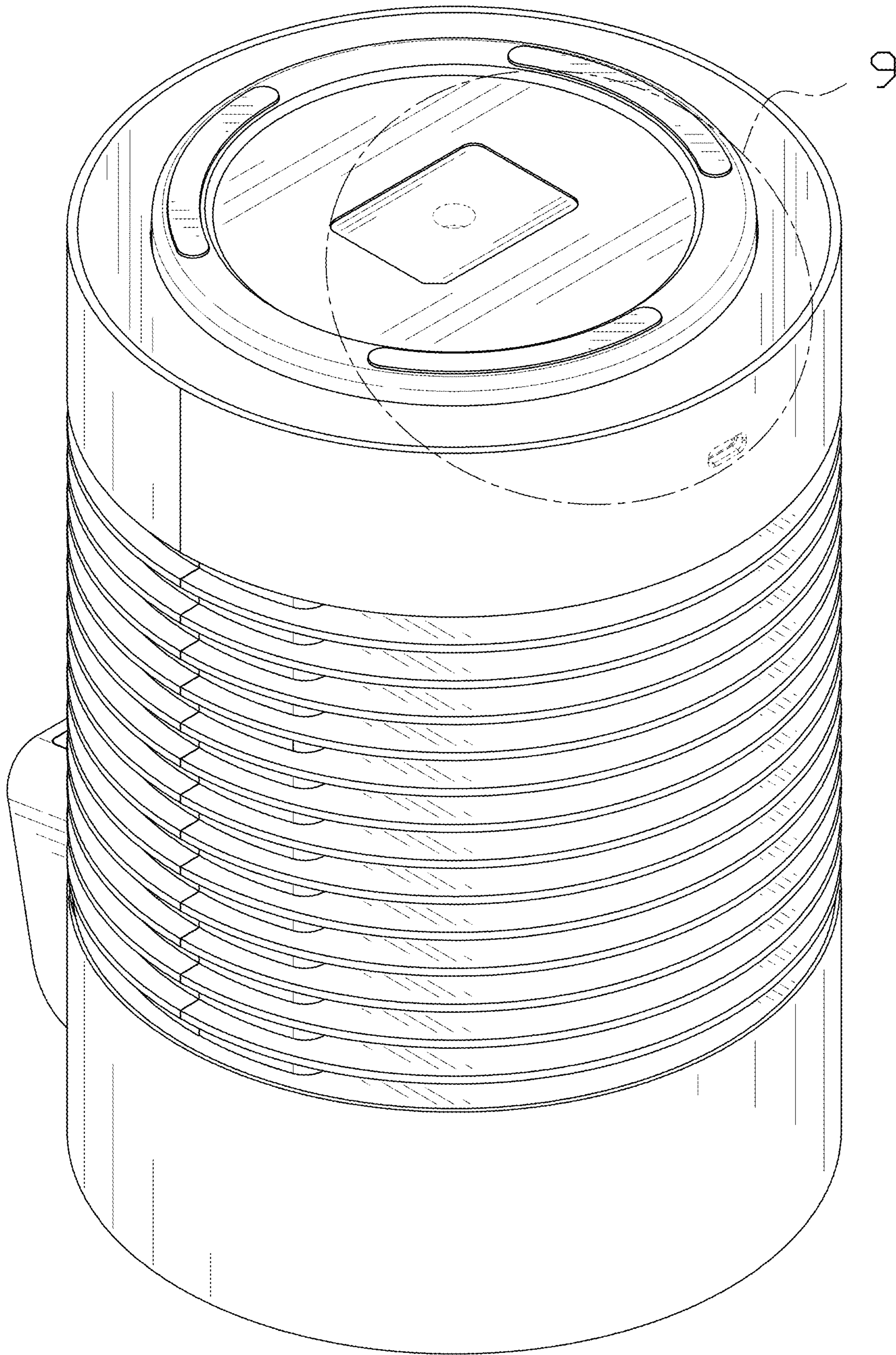


FIG. 2

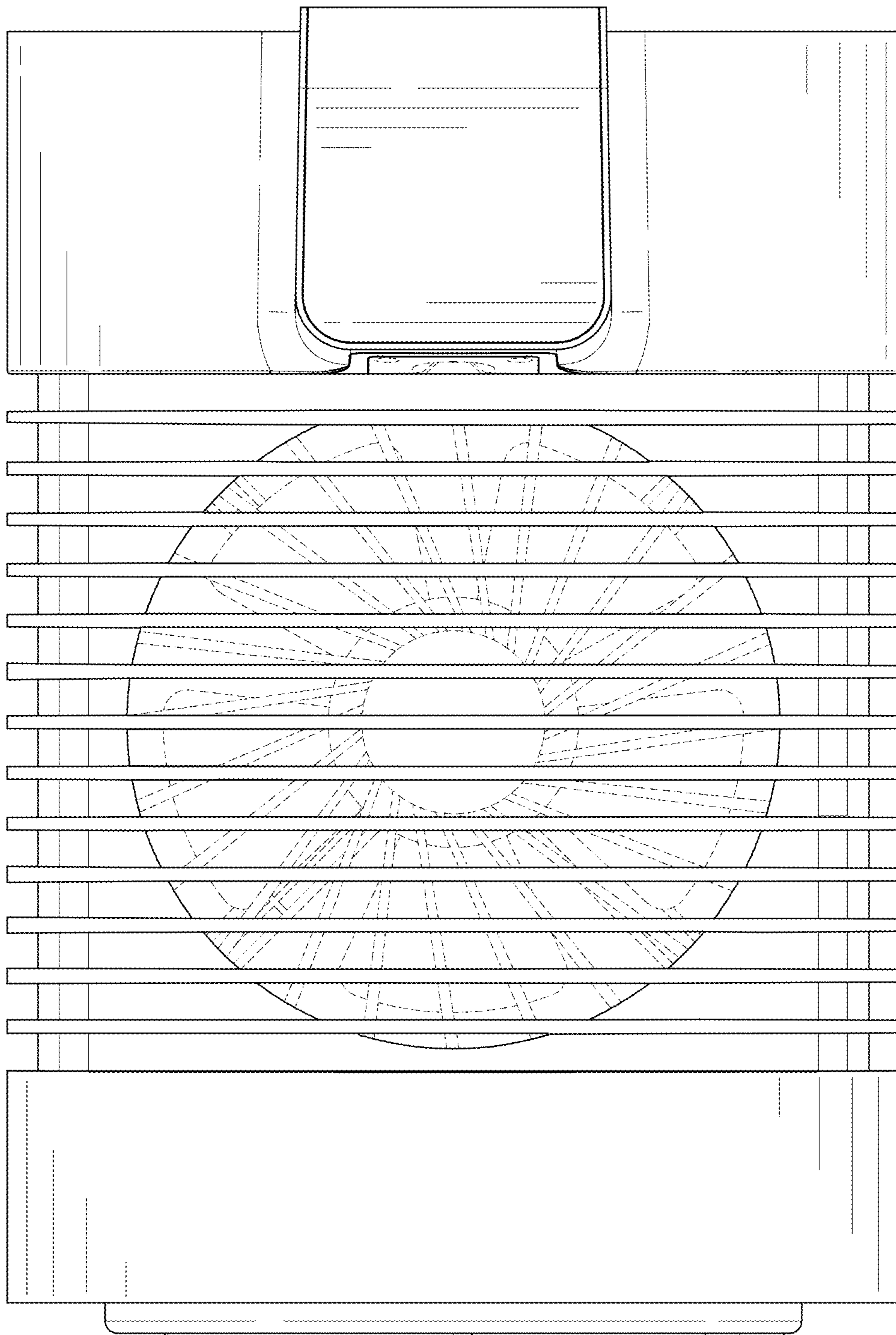


FIG. 3

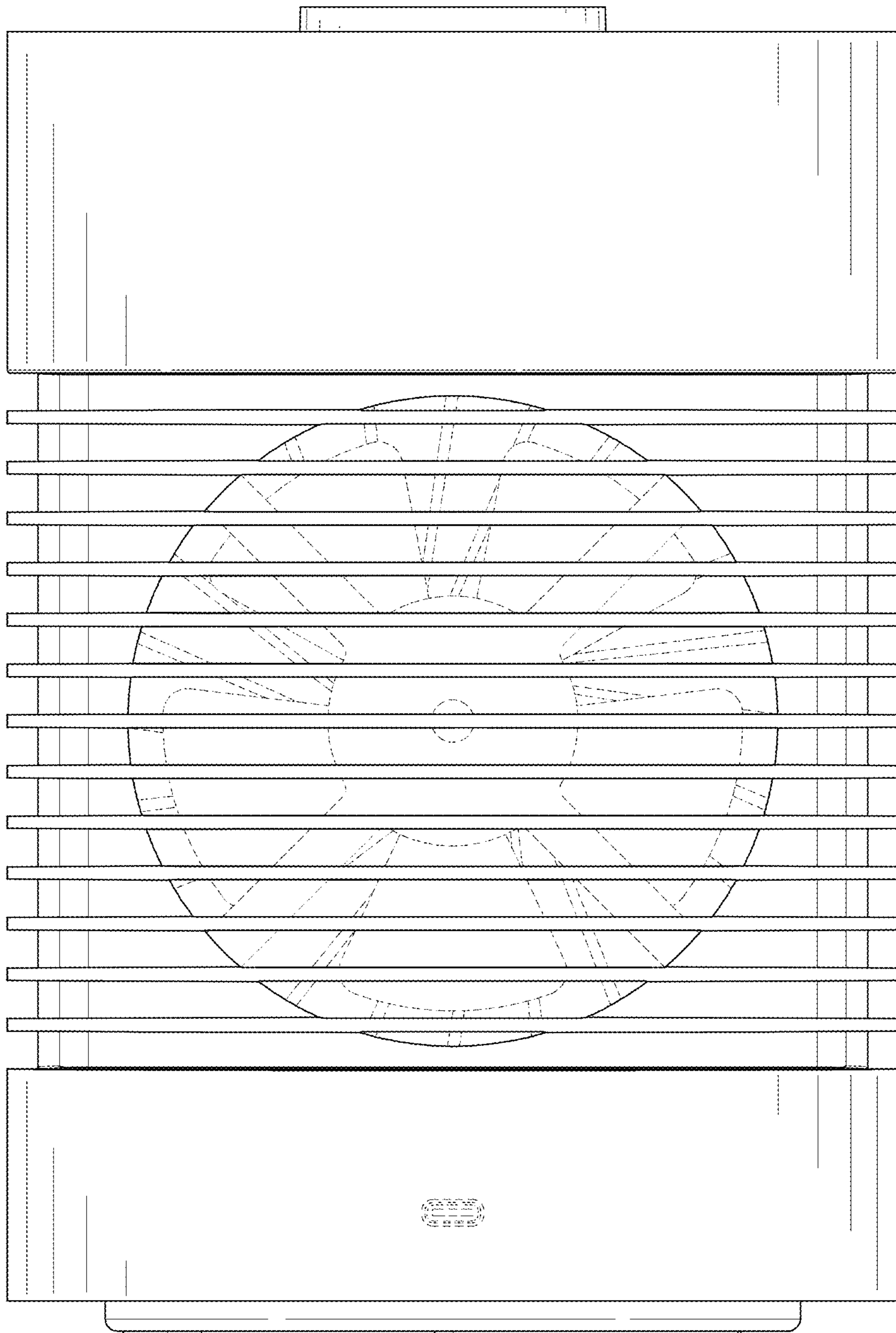


FIG. 4

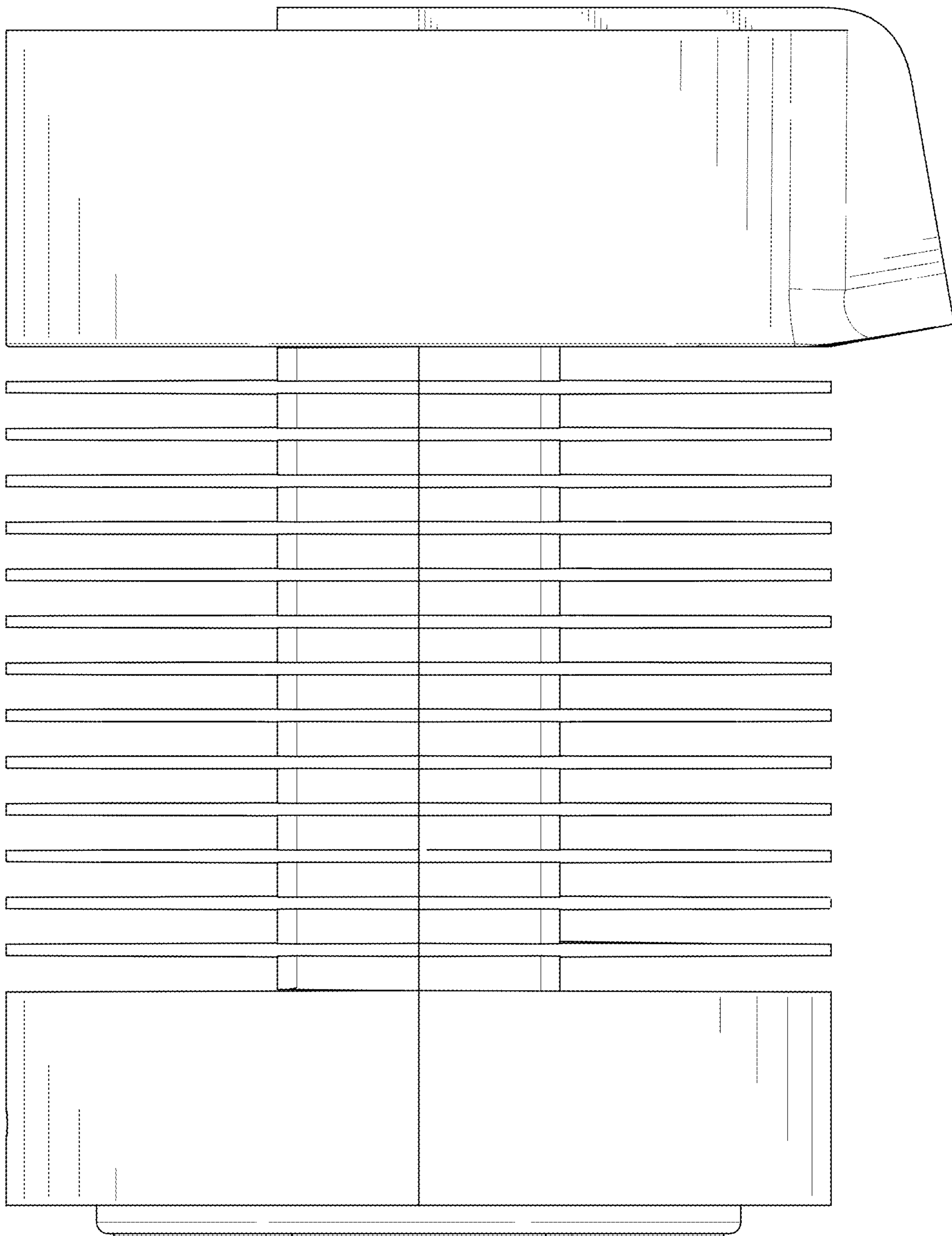


FIG. 5

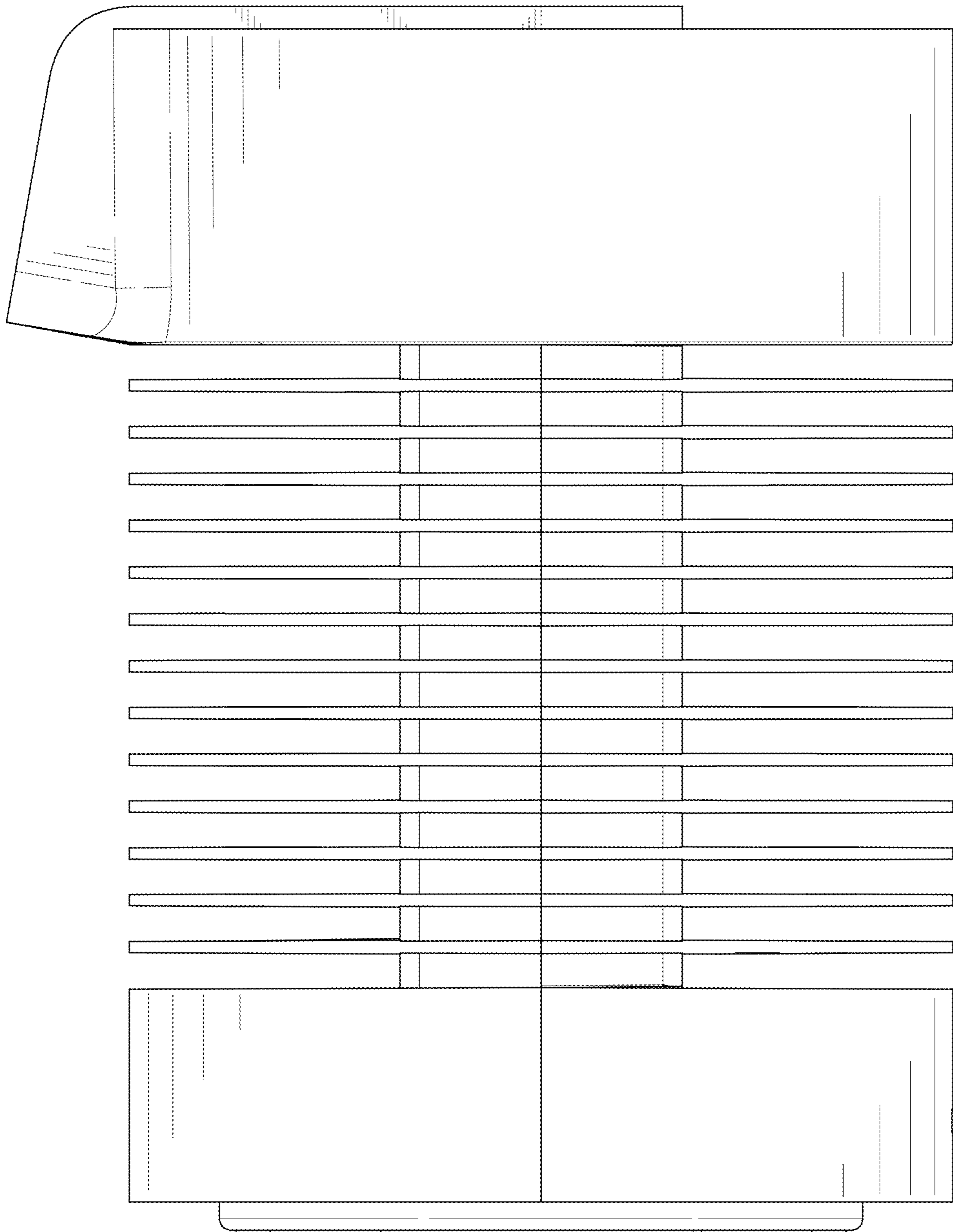


FIG. 6

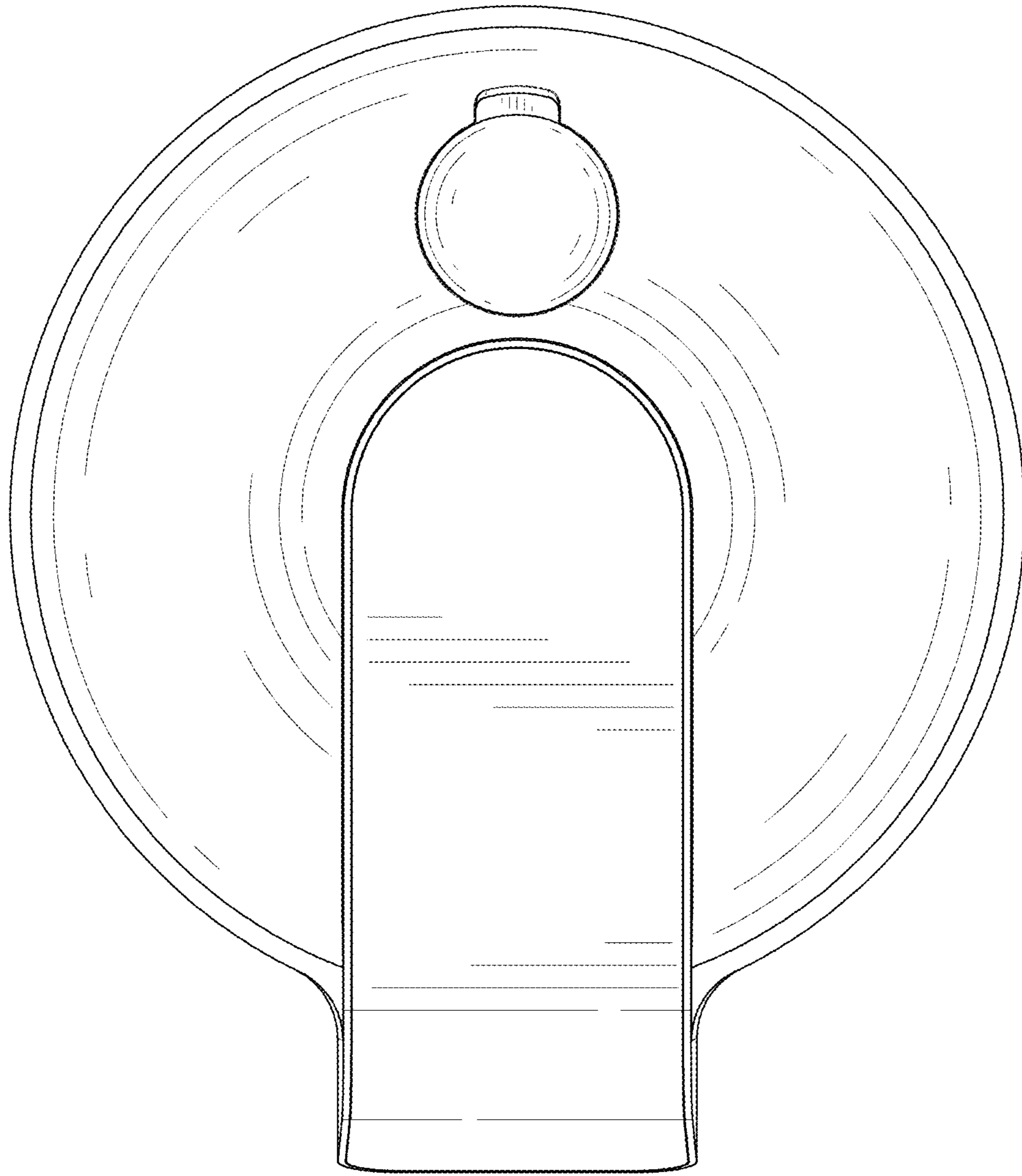


FIG. 7

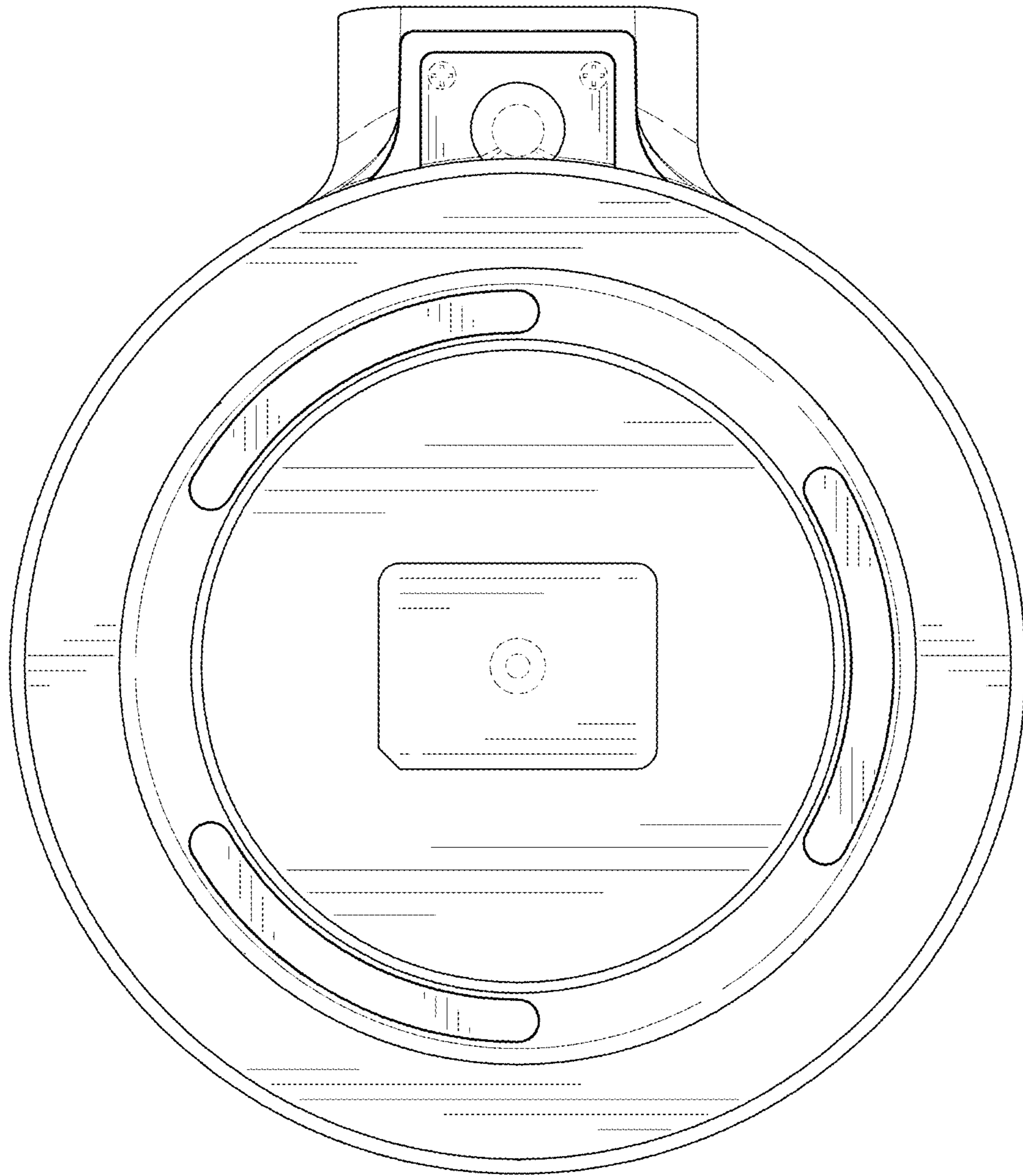


FIG. 8

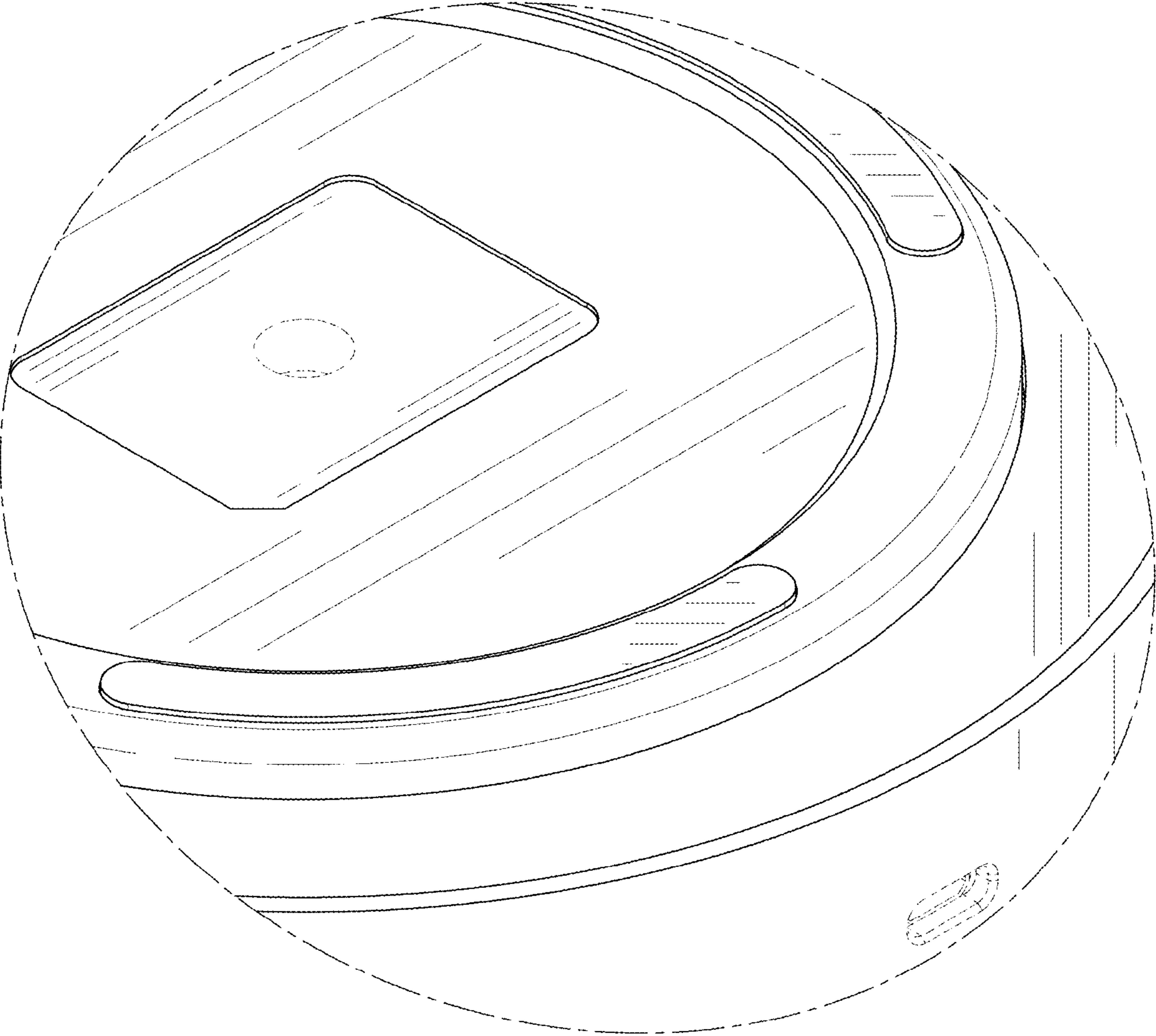


FIG. 9