



US00D950693S

(12) **United States Design Patent** (10) **Patent No.:** **US D950,693 S**
Rejkowski (45) **Date of Patent:** **** May 3, 2022**

(54) **CONTROLLER FOR A VEHICLE HEATING AND AIR CONDITIONING SYSTEM**

(71) Applicant: **Michael W Rejkowski**, Carrollton, TX (US)

(72) Inventor: **Michael W Rejkowski**, Carrollton, TX (US)

(73) Assignee: **Classic Auto Air Manufacturing LP**, Cleveland, OH (US)

(**) Term: **15 Years**

(21) Appl. No.: **29/761,313**

(22) Filed: **Dec. 8, 2020**

(51) **LOC (13) Cl.** **12-16**

(52) **U.S. Cl.**
USPC **D23/324**

(58) **Field of Classification Search**
USPC D23/324, 325, 327, 393, 386; D12/415, D12/190, 192, 195; D15/5; D13/170, D13/169, 177, 174; D10/49, 50, 52, 53, D10/67; D14/219, 218, 217
CPC ... B60H 1/0065; B60H 1/00814; B60K 37/06
See application file for complete search history.

(56) **References Cited**

U.S. PATENT DOCUMENTS

- 4,005,381 A * 1/1977 Klug H01C 10/38 338/119
- 4,131,870 A * 12/1978 Hilgendorf H01C 10/44 338/176
- 4,196,406 A * 4/1980 Salem G05D 23/1902 116/137 A
- 4,559,515 A * 12/1985 Takezawa H01C 10/44 338/128
- D323,506 S * 1/1992 Breslau D14/217

- D351,599 S * 10/1994 Chui D14/217
- D380,451 S * 7/1997 Krajci D13/170
- D384,038 S * 9/1997 Ko D13/162
- D463,382 S * 9/2002 Jacoby D13/170
- D473,544 S * 4/2003 Powell D14/217
- D542,737 S * 5/2007 Spira D13/162
- 2019/0118830 A1 * 4/2019 Kwon B60K 37/06

* cited by examiner

Primary Examiner — Ania Aman

(57) **CLAIM**

The ornamental design for a controller for a vehicle heating and air conditioning system, as shown and described.

DESCRIPTION

FIG. 1 is a perspective front view of a controller for a vehicle heating and air conditioning system showing my new design;

FIG. 2 is a right side view of the controller for a vehicle heating and air conditioning system of FIG. 1;

FIG. 3 is a left side view of the controller for a vehicle heating and air conditioning system of FIG. 1;

FIG. 4 is a front elevation view of the controller for a vehicle heating and air conditioning system of FIG. 1;

FIG. 5 is rear elevation view of the controller for a vehicle heating and air conditioning system of FIG. 1;

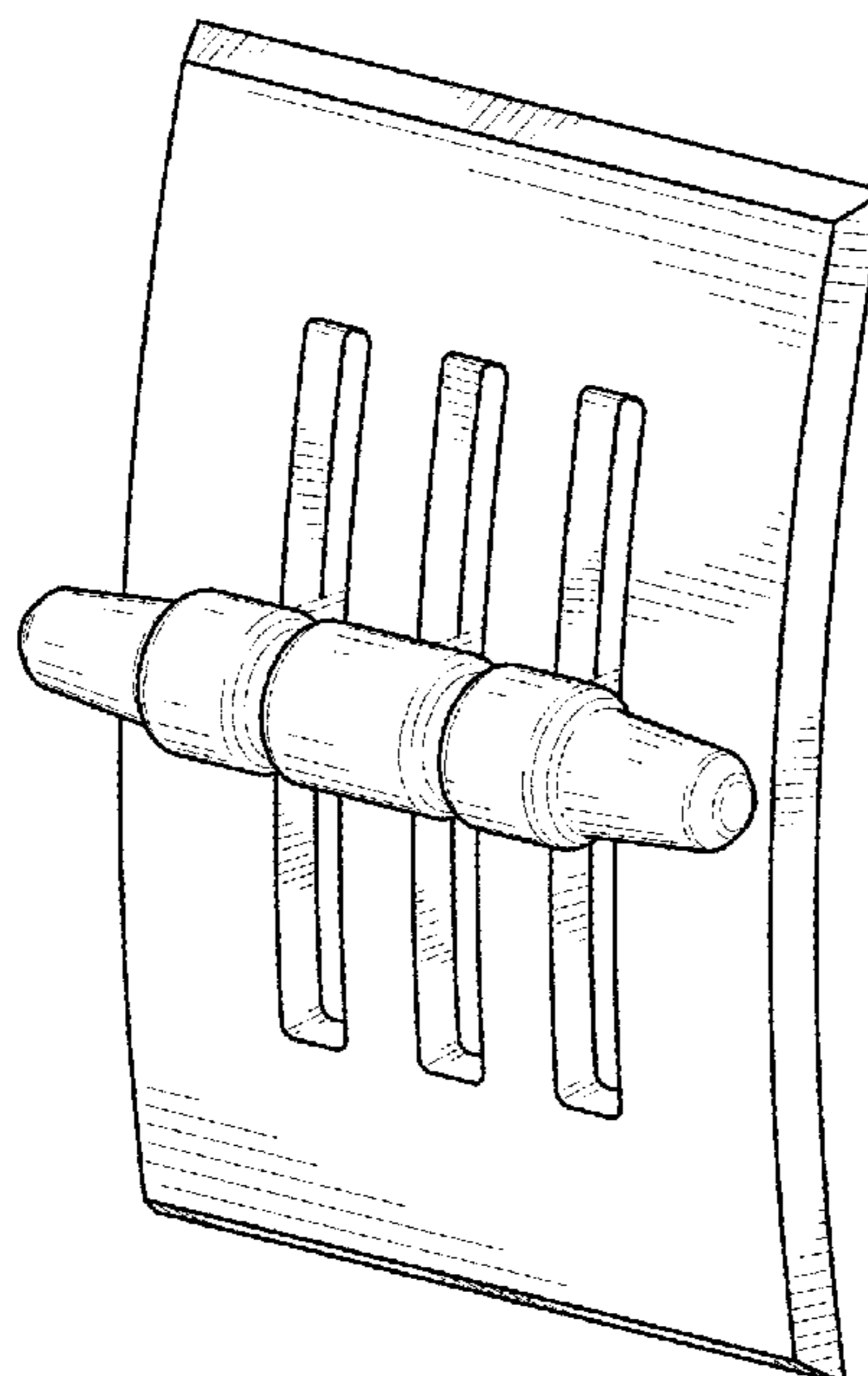
FIG. 6 is a top elevation view of the controller for a vehicle heating and air conditioning system of FIG. 1;

FIG. 7 is a bottom elevation view of the controller for a vehicle heating and air conditioning system of FIG. 1; and,

FIG. 8 is a perspective front view showing the movable selector arms of the controller in various positions.

In the drawings, any broken lines depict unclaimed subject matter only and form no part of the claimed design.

1 Claim, 2 Drawing Sheets



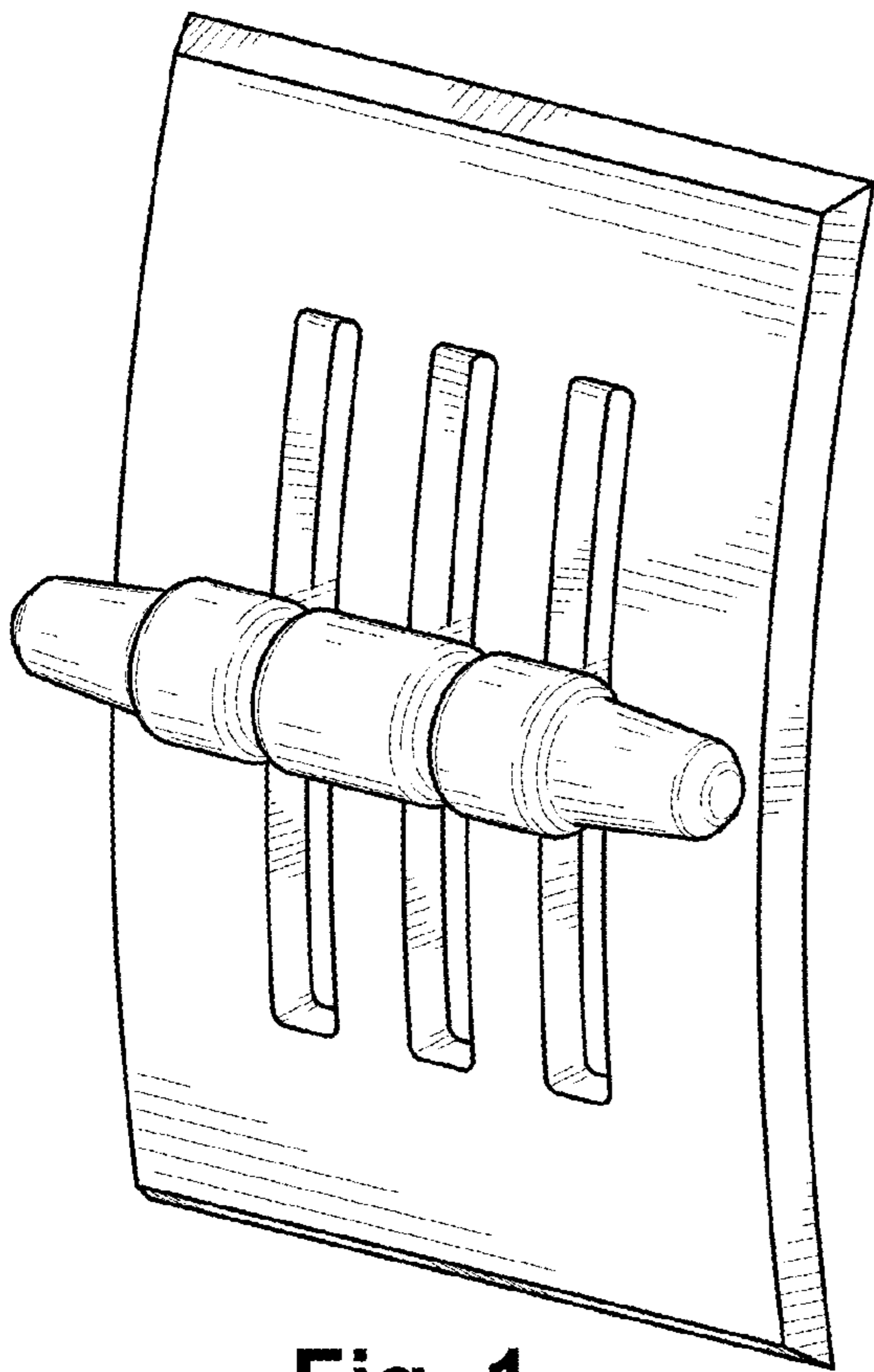


Fig. 1

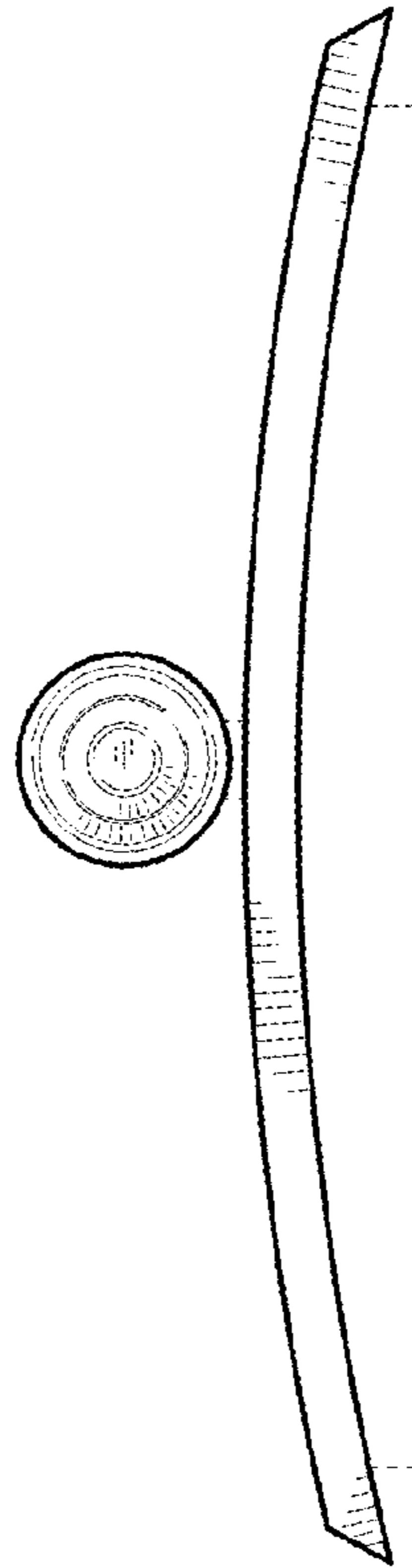


Fig. 2

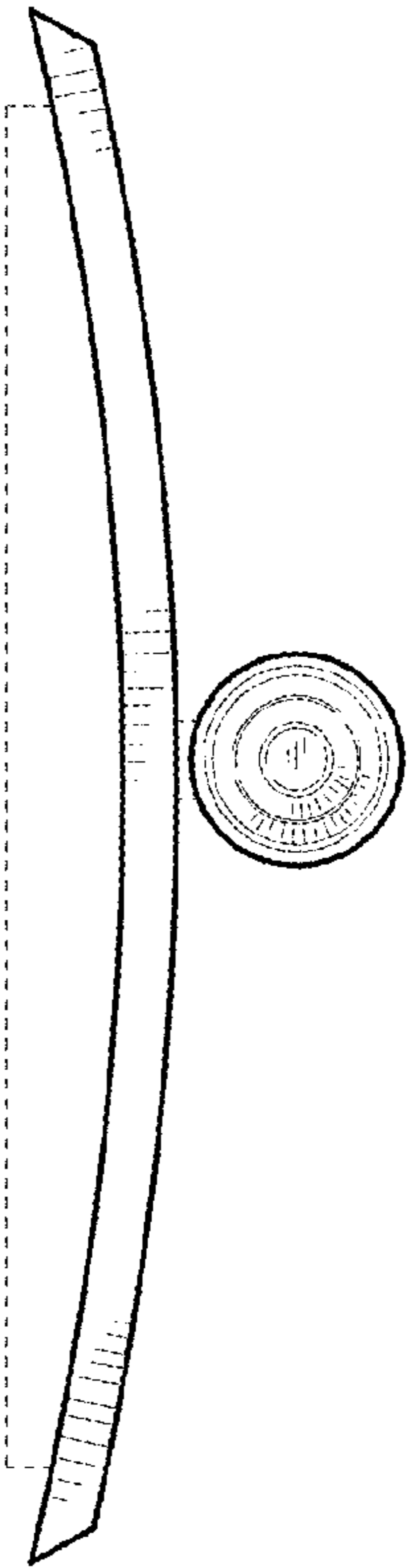


Fig. 3

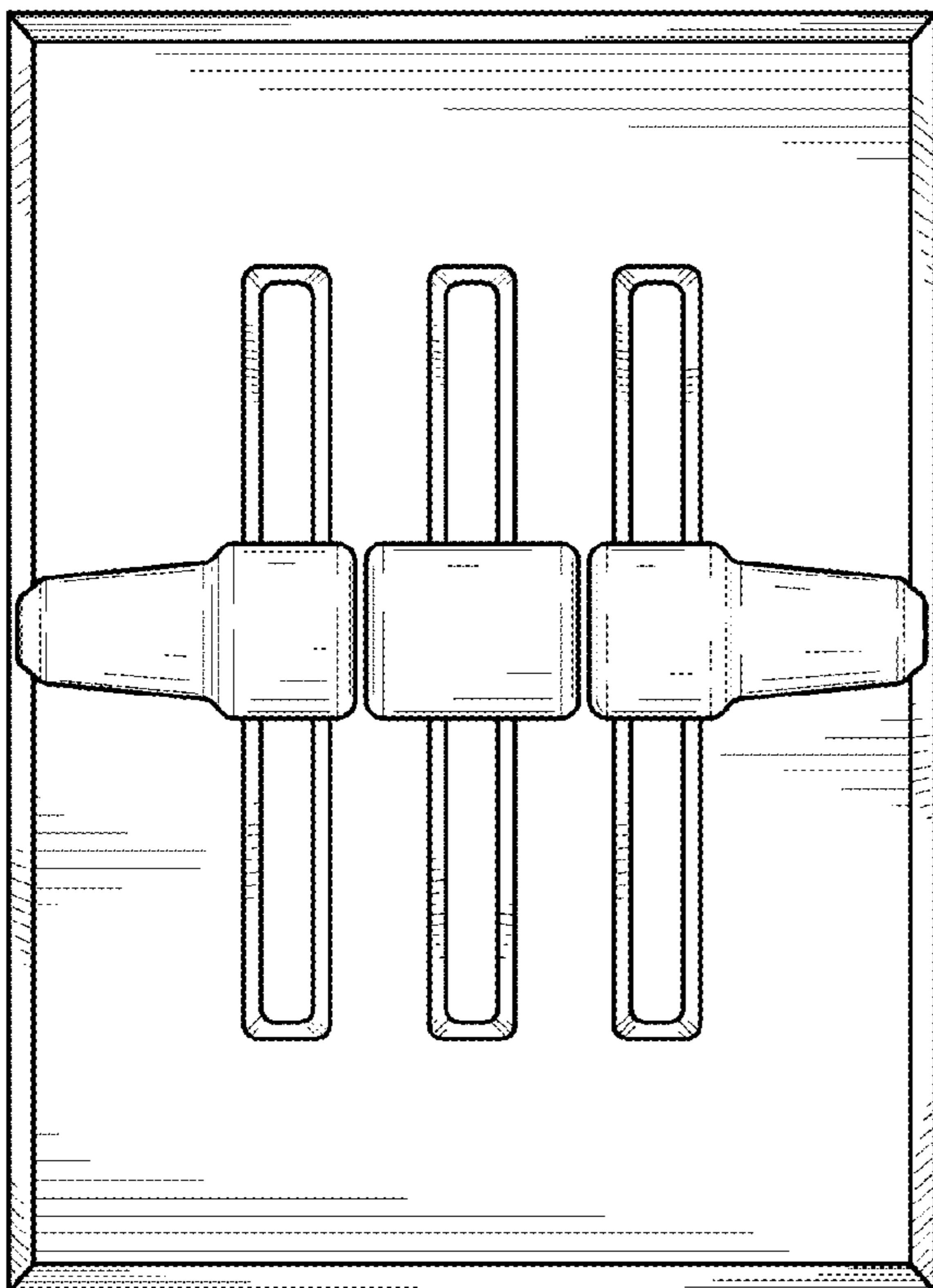


Fig. 4

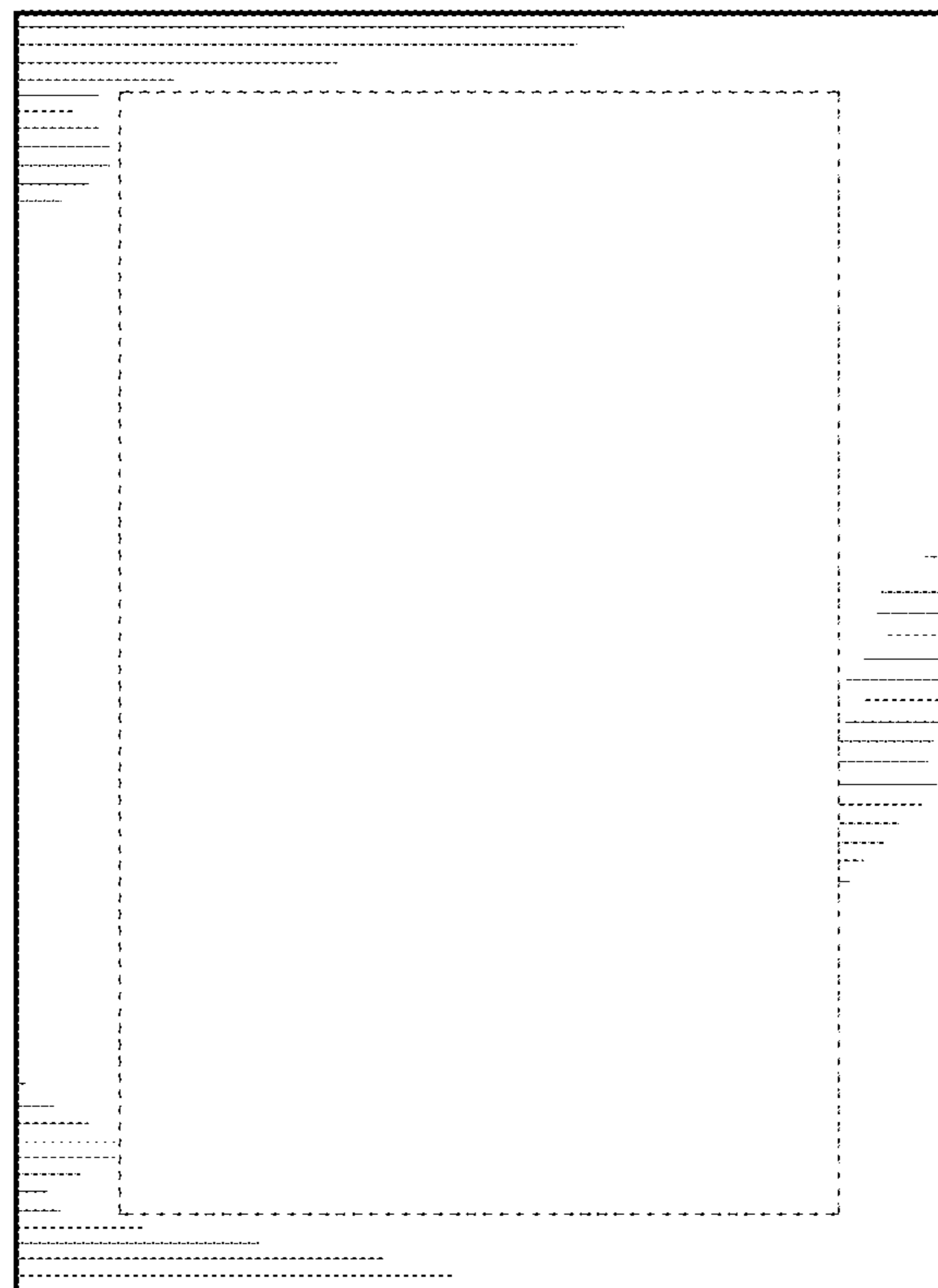


Fig. 5

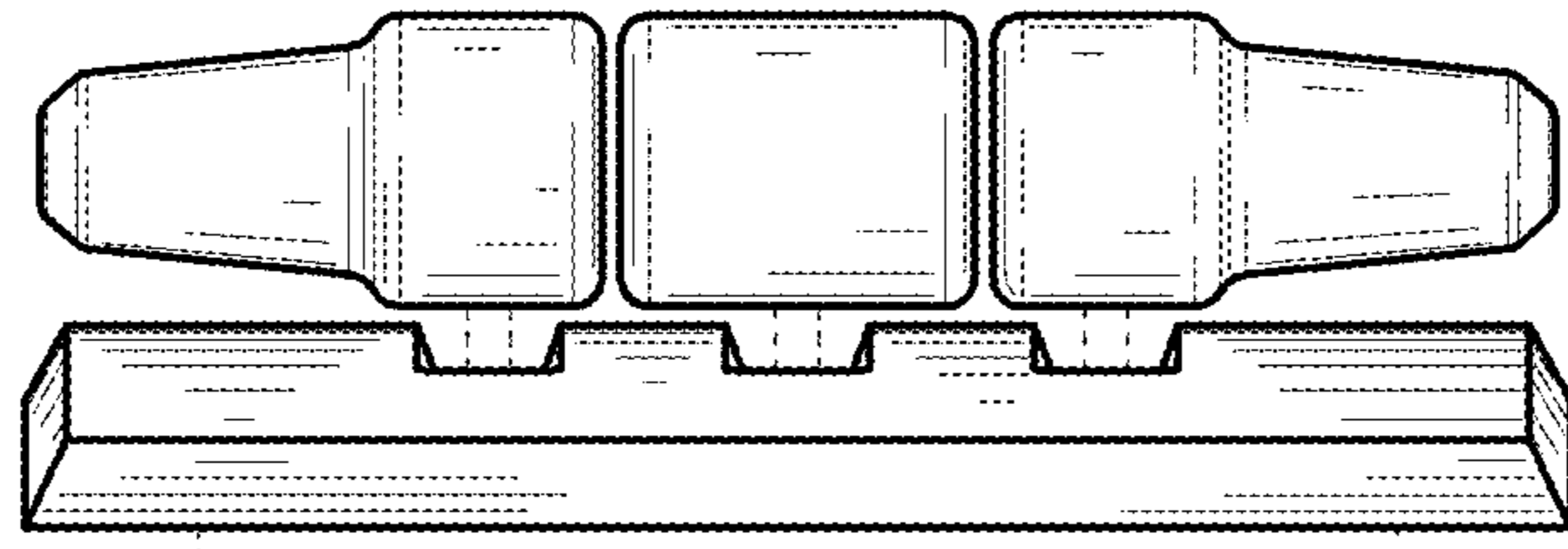


Fig. 6

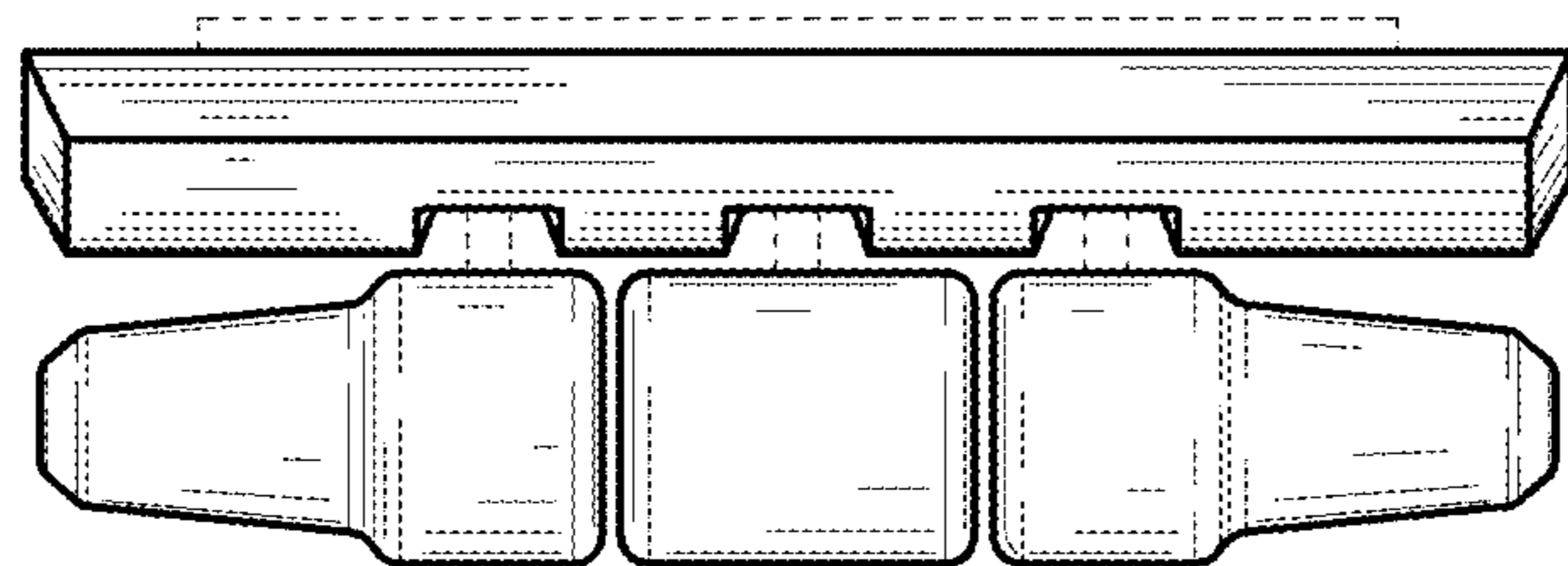


Fig. 7

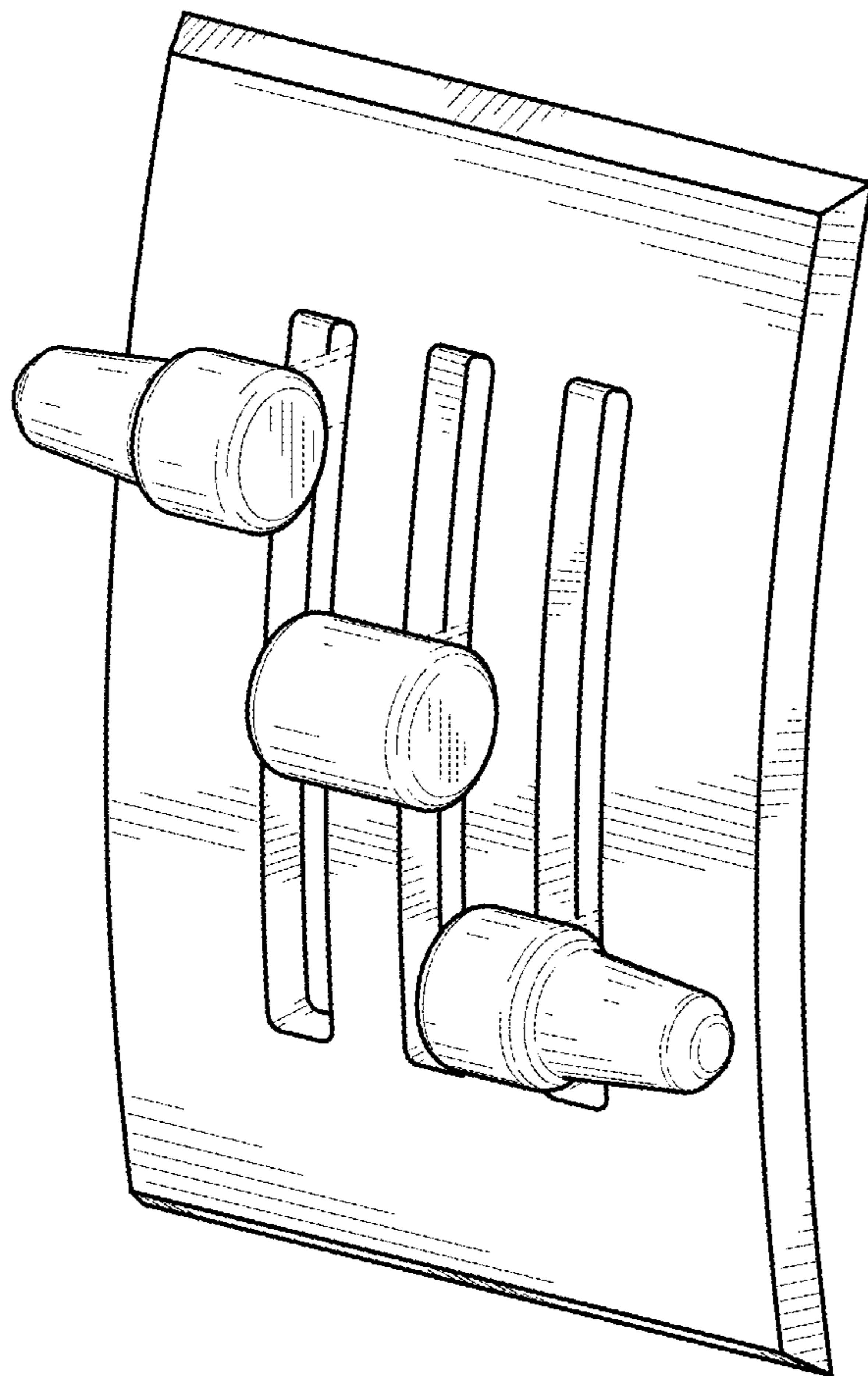


Fig. 8