



US00D950692S

(12) **United States Design Patent** (10) **Patent No.:** **US D950,692 S**
Oliva (45) **Date of Patent:** **** May 3, 2022**

(54) **TANKLESS WATER HEATER HOUSING**

2015/0047578 A1* 2/2015 Lesage F24H 1/182
 122/14.22
 2018/0058720 A1* 3/2018 Ando F24H 9/0005
 2019/0137189 A1* 5/2019 Teng F24D 11/02

(71) Applicant: **Richard Oliva**, Miami, FL (US)

(72) Inventor: **Richard Oliva**, Miami, FL (US)

* cited by examiner

(**) Term: **15 Years**

Primary Examiner — Ania Aman

(21) Appl. No.: **29/787,426**

(74) *Attorney, Agent, or Firm* — Daniel S. Polley, P.A.

(22) Filed: **Jun. 7, 2021**

(57) **CLAIM**

The ornamental design for a tankless water heater housing, as shown and described.

Related U.S. Application Data

(62) Division of application No. 29/686,731, filed on Apr. 7, 2019, now Pat. No. Des. 921,863.

DESCRIPTION

(51) **LOC (13) Cl.** **23-03**

FIG. 1 is a front perspective view of the tankless water heater housing of the new design;

(52) **U.S. Cl.**

FIG. 2 is a back perspective view thereof;

USPC **D23/318**

FIG. 3 is a top view thereof;

(58) **Field of Classification Search**

USPC D23/314, 317, 318, 319, 320, 321, 329, D23/332, 342, 335

FIG. 4 is a bottom view thereof

CPC . F24H 1/10; F24H 9/2028; F24H 9/02; F24H 9/128; F24H 9/2021; F24H 9/2007; F24H 9/0005; F24H 4/00; F24H 2/142; F24H 9/2071; F24H 9/2064; F24H 1/06

FIG. 5 is a left side view thereof;

See application file for complete search history.

FIG. 6 is a right side view thereof;

FIG. 7 is a front view thereof;

FIG. 8 is a back view thereof;

FIG. 9 is a front perspective view thereof with the front housing door in an open position;

(56) **References Cited**

U.S. PATENT DOCUMENTS

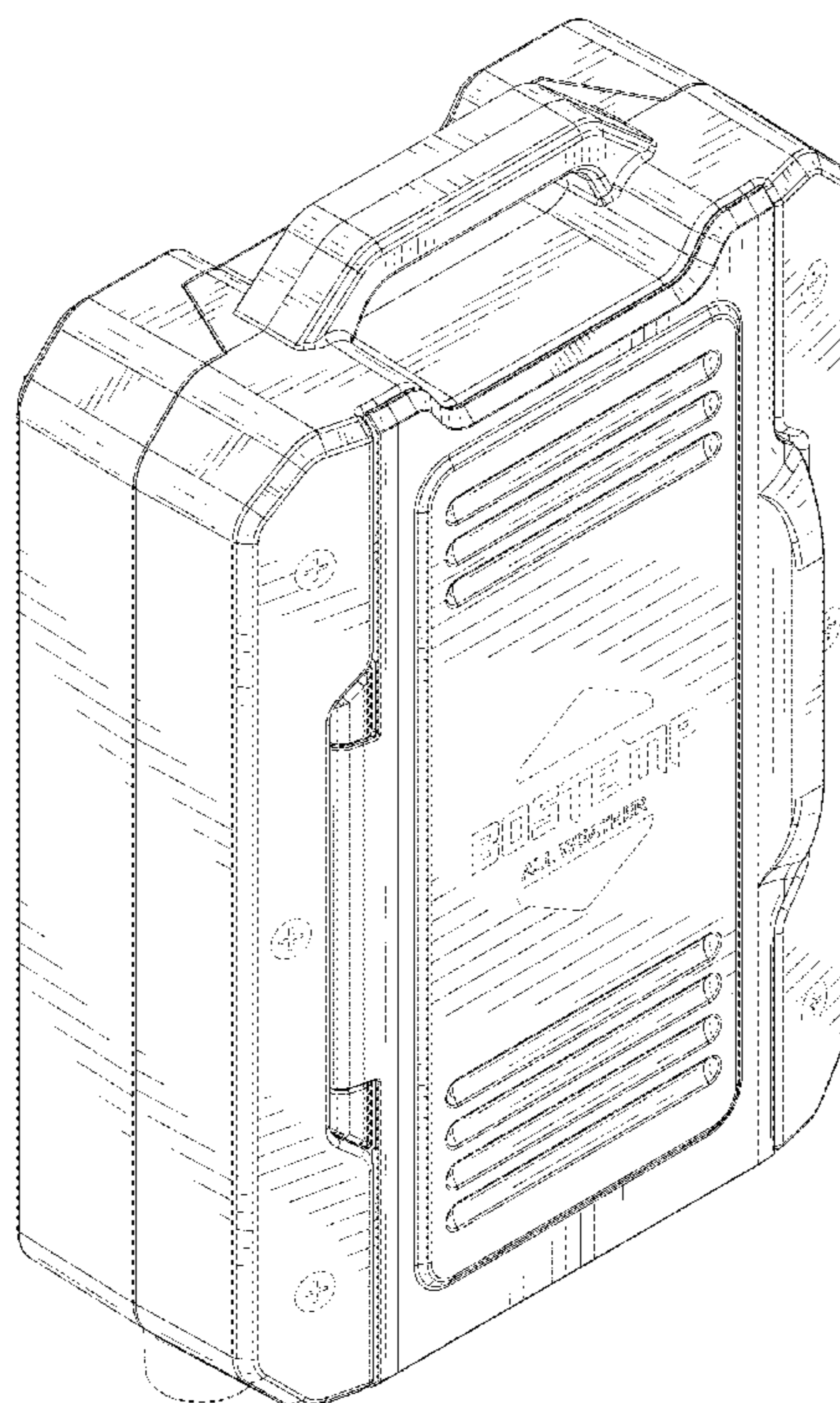
D858,726 S * 9/2019 Takeuchi D23/318
 D859,616 S * 9/2019 Zhang D23/318
 D859,617 S * 9/2019 Humphrey D23/318
 2012/0079995 A1* 4/2012 Jacques F24H 9/2007
 122/19.2

FIG. 10 is a top view thereof with the front housing door in an open position; and,

FIG. 11 is a front view thereof with the front housing door in an open position.

In the figures, features shown by broken lines are for illustrative purposes only and form no part of the claimed design.

1 Claim, 11 Drawing Sheets



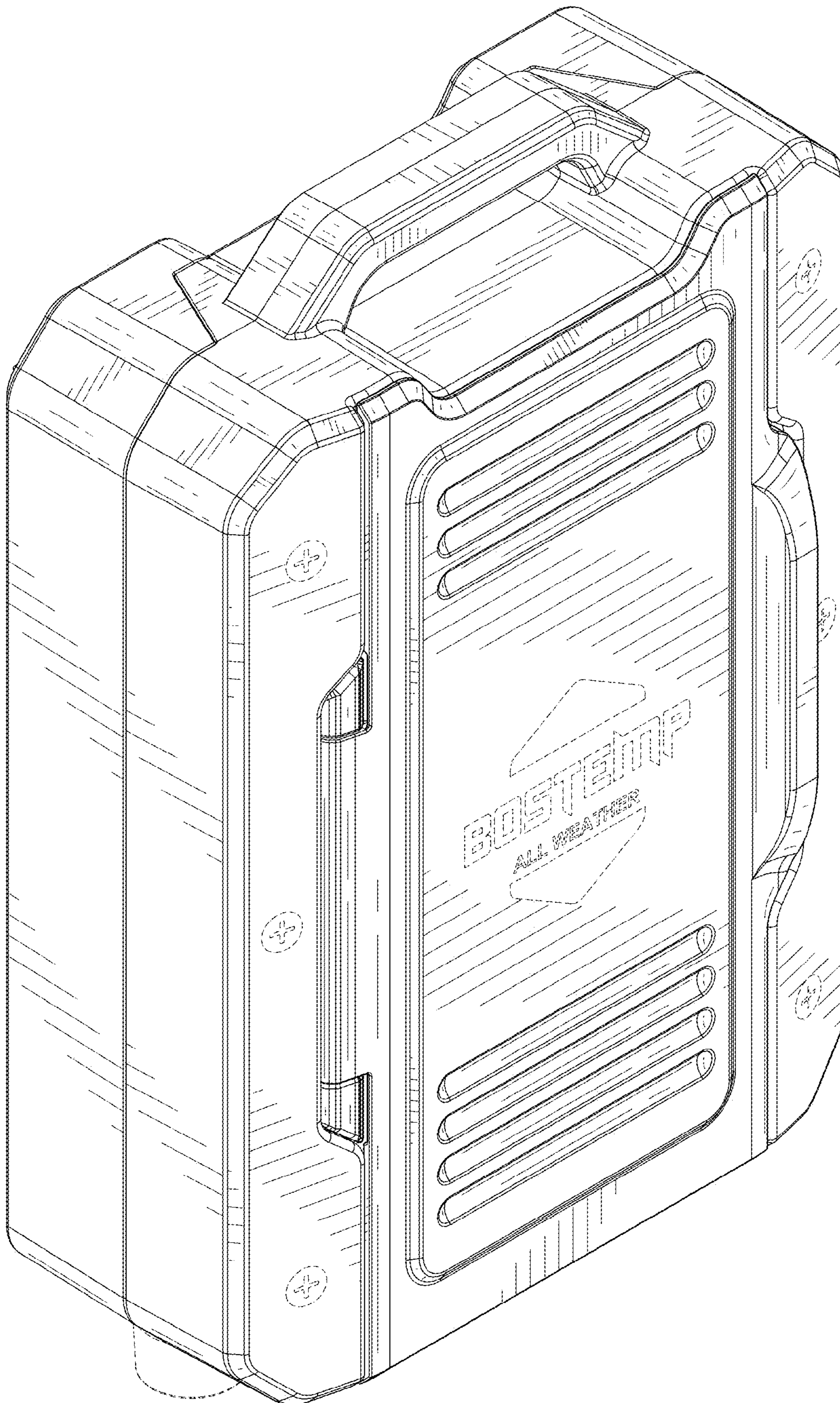


FIG. 1

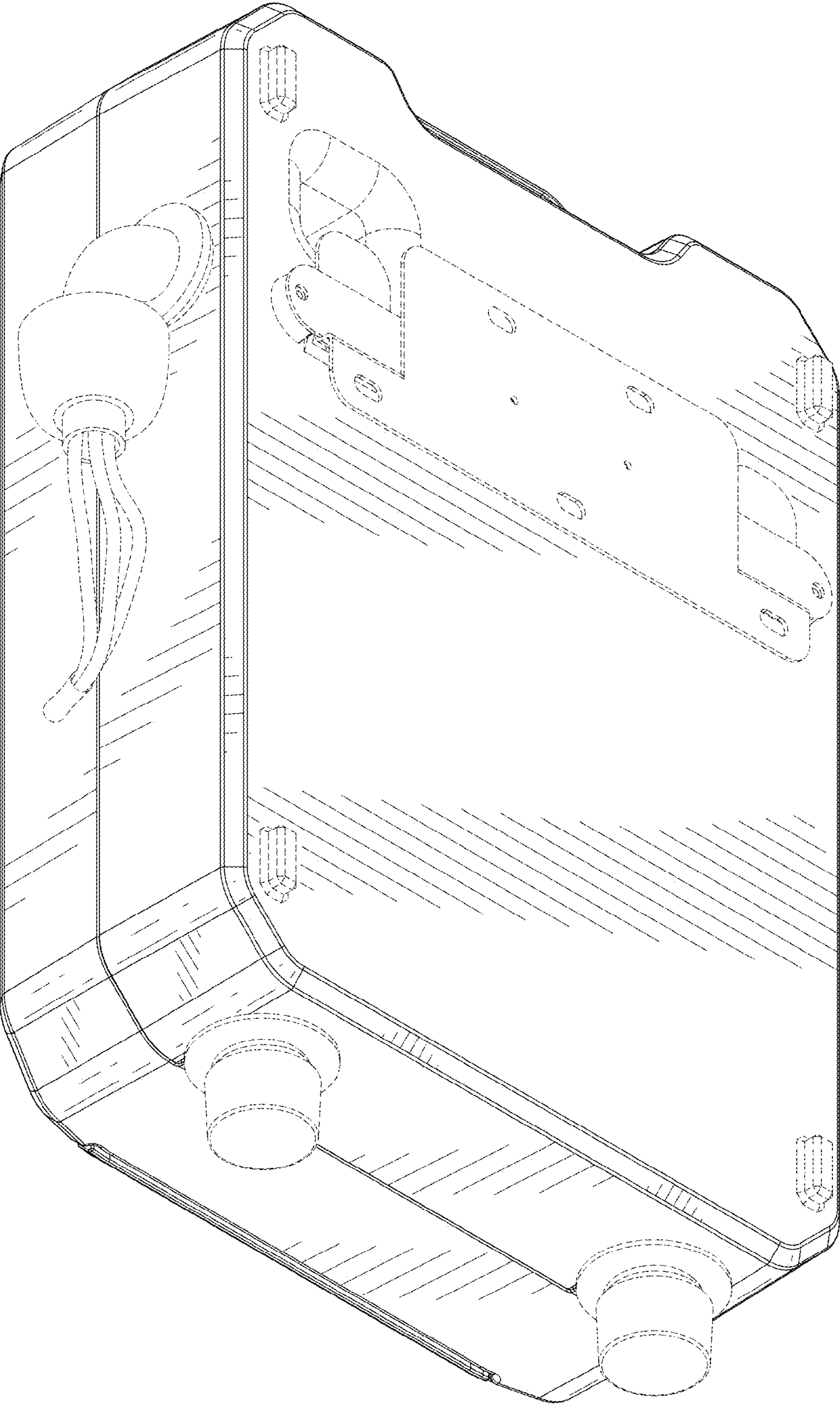


FIG. 2

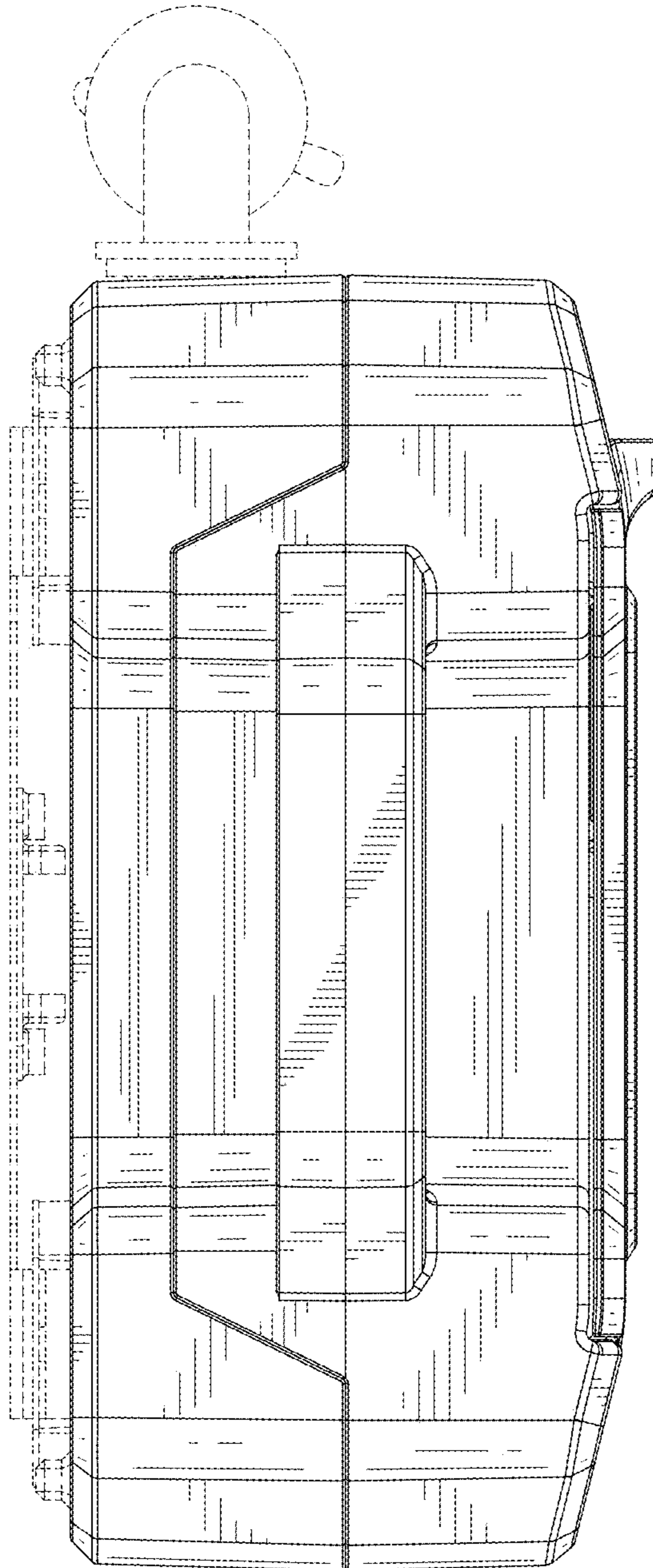


FIG. 3

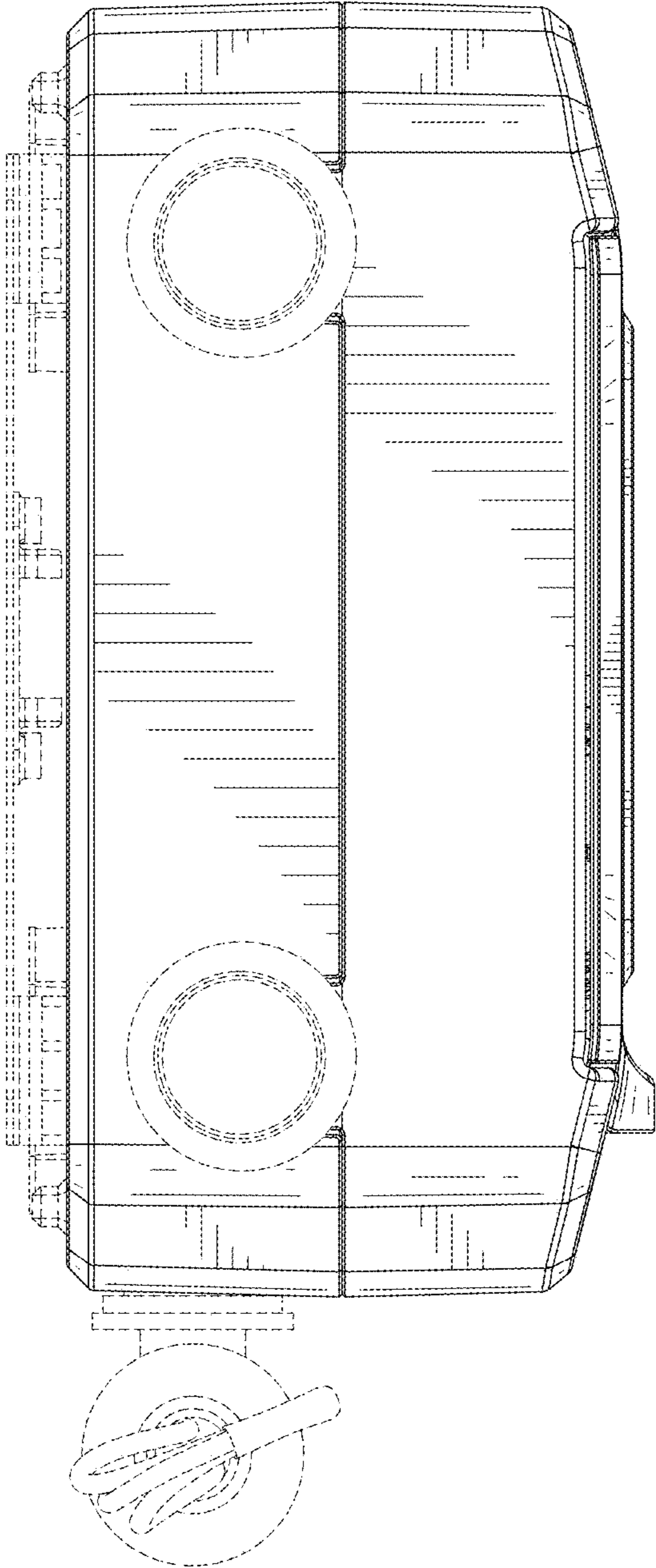


FIG. 4

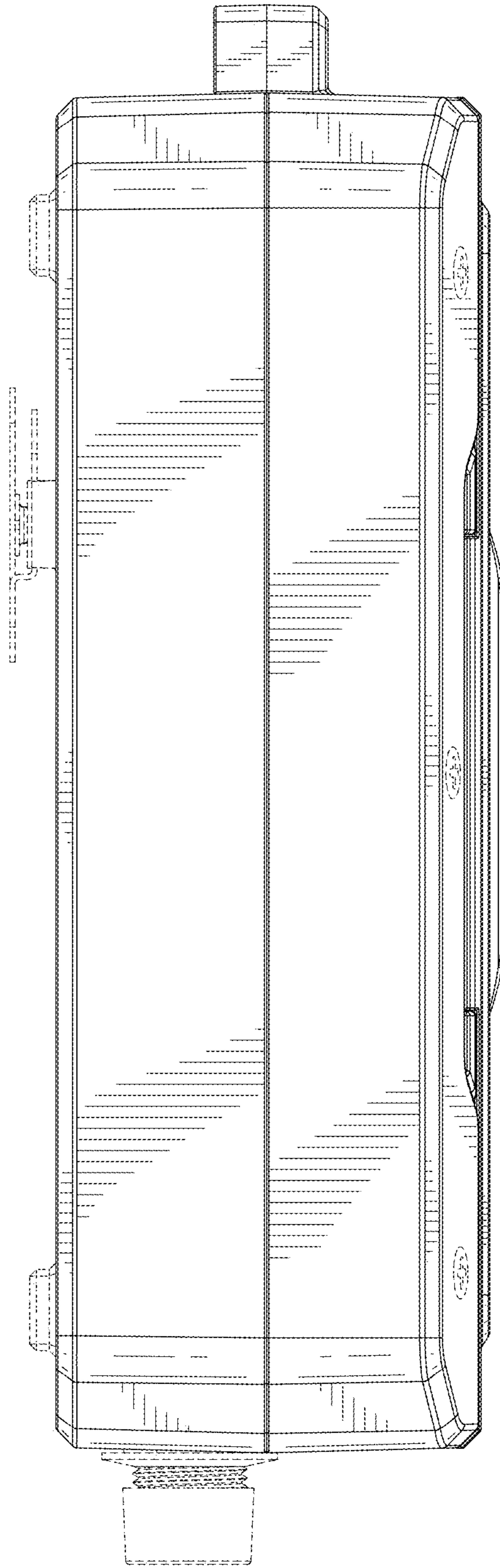


FIG. 5

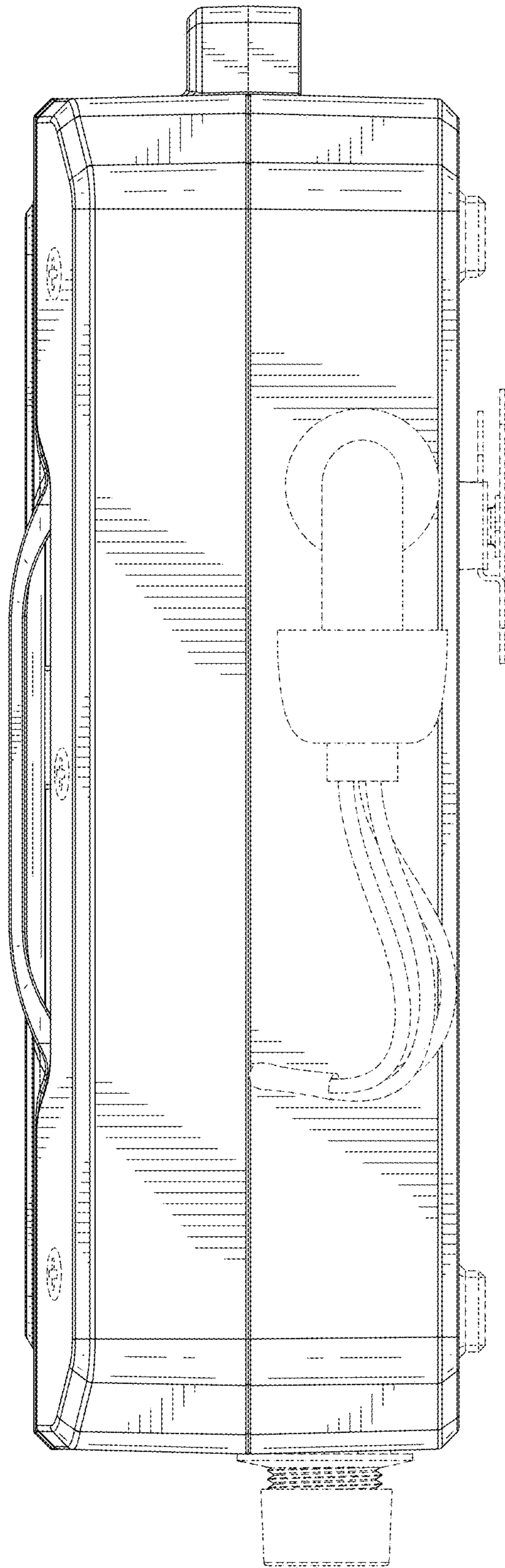


FIG. 6

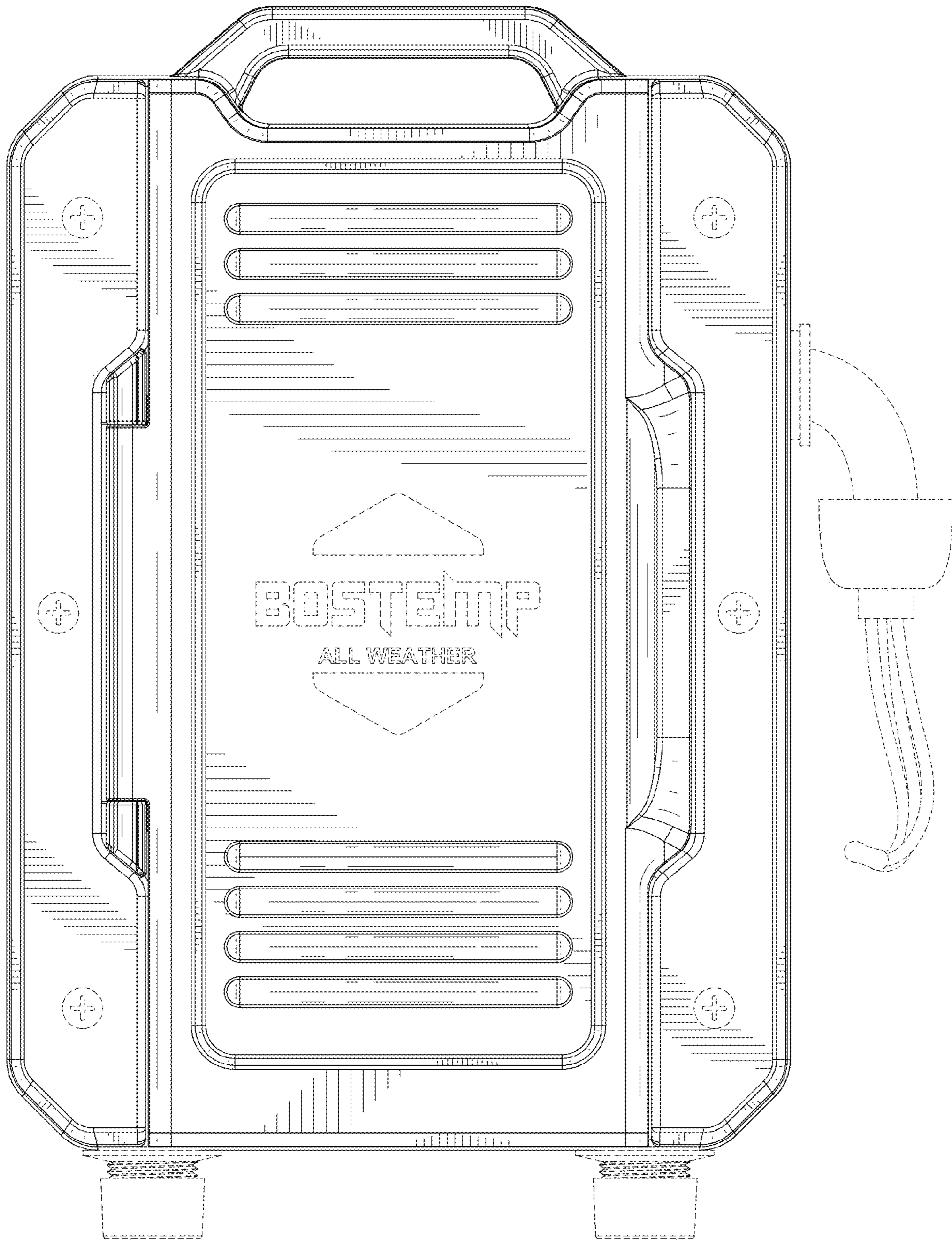


FIG. 7

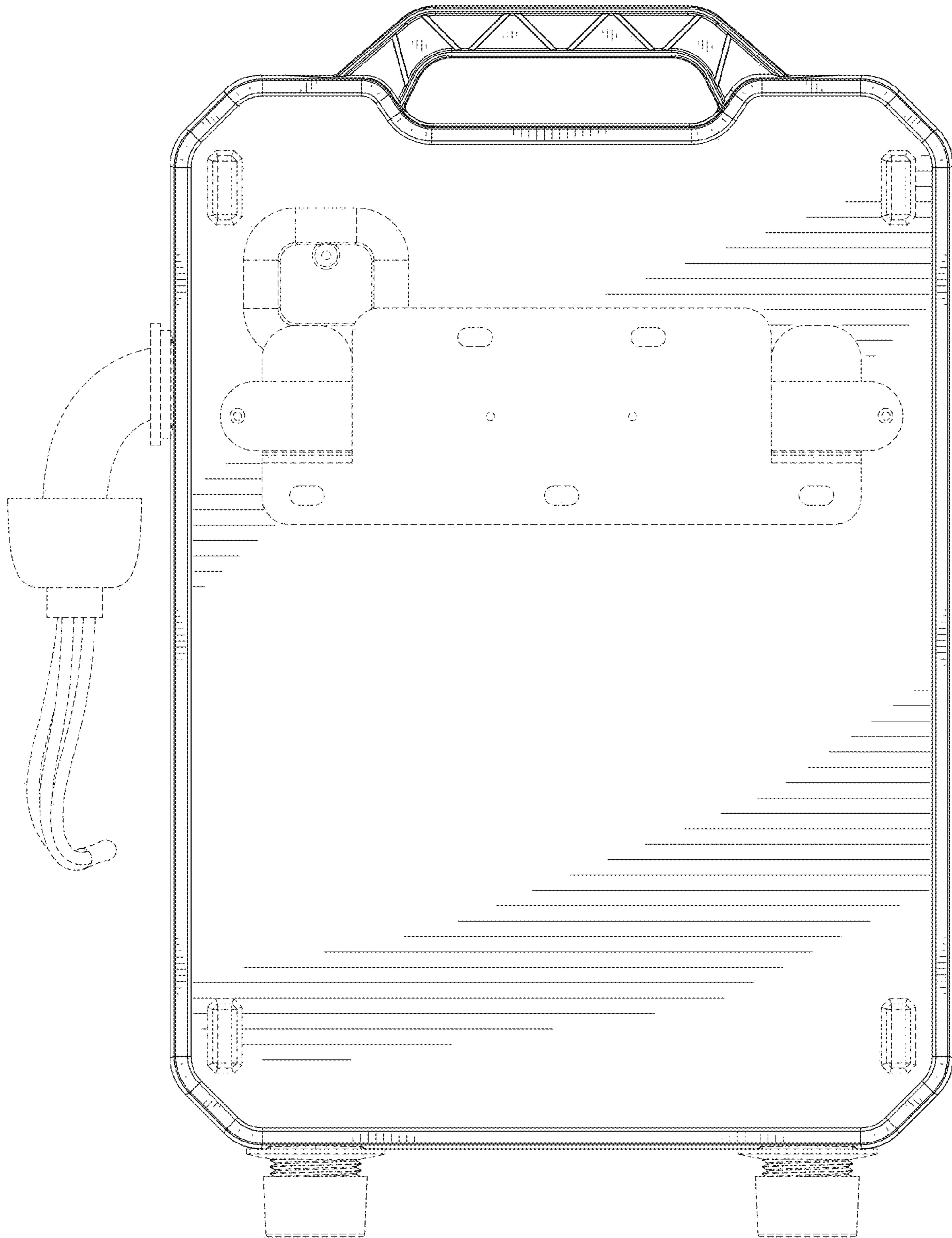


FIG. 8

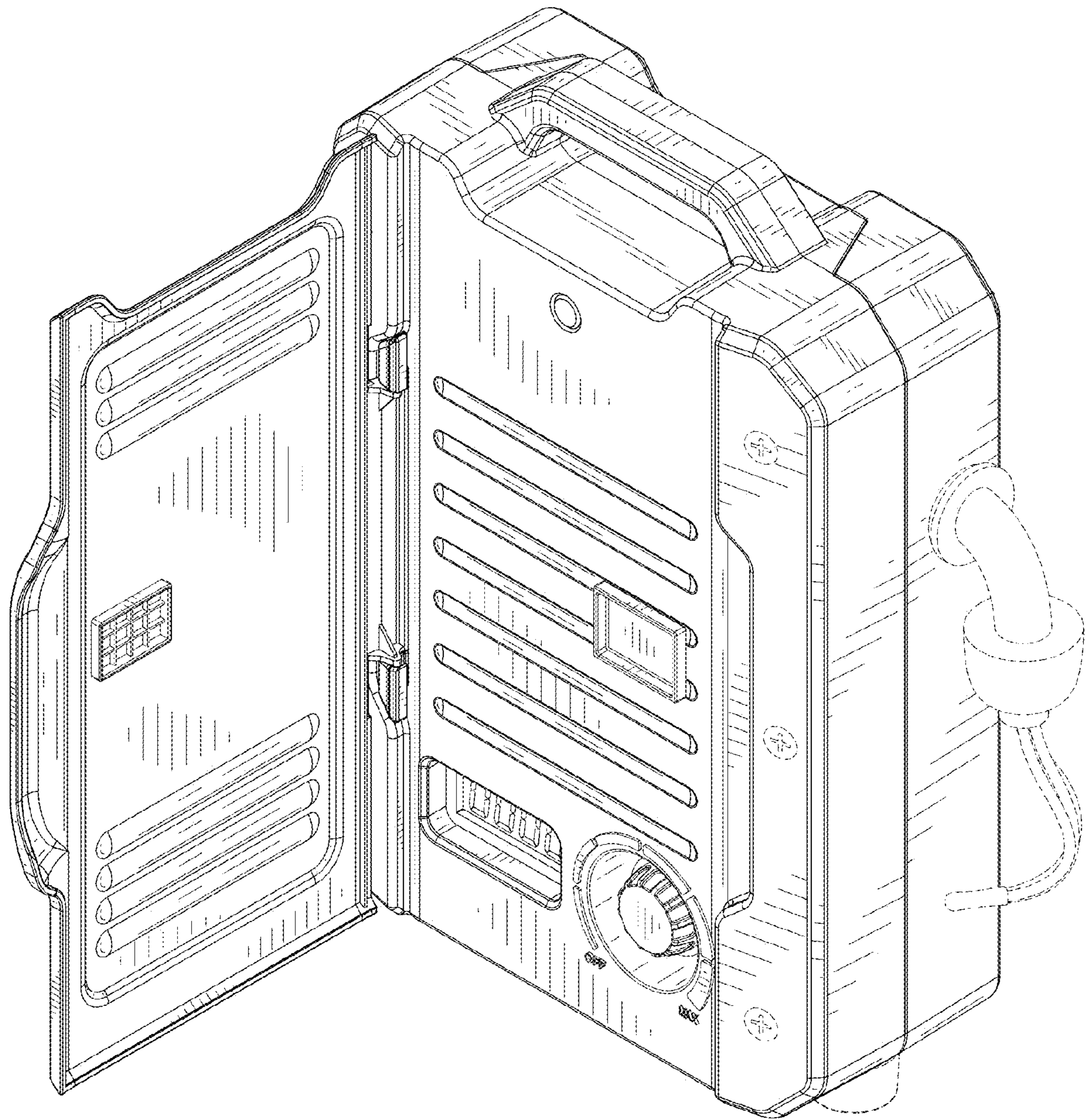


FIG. 9

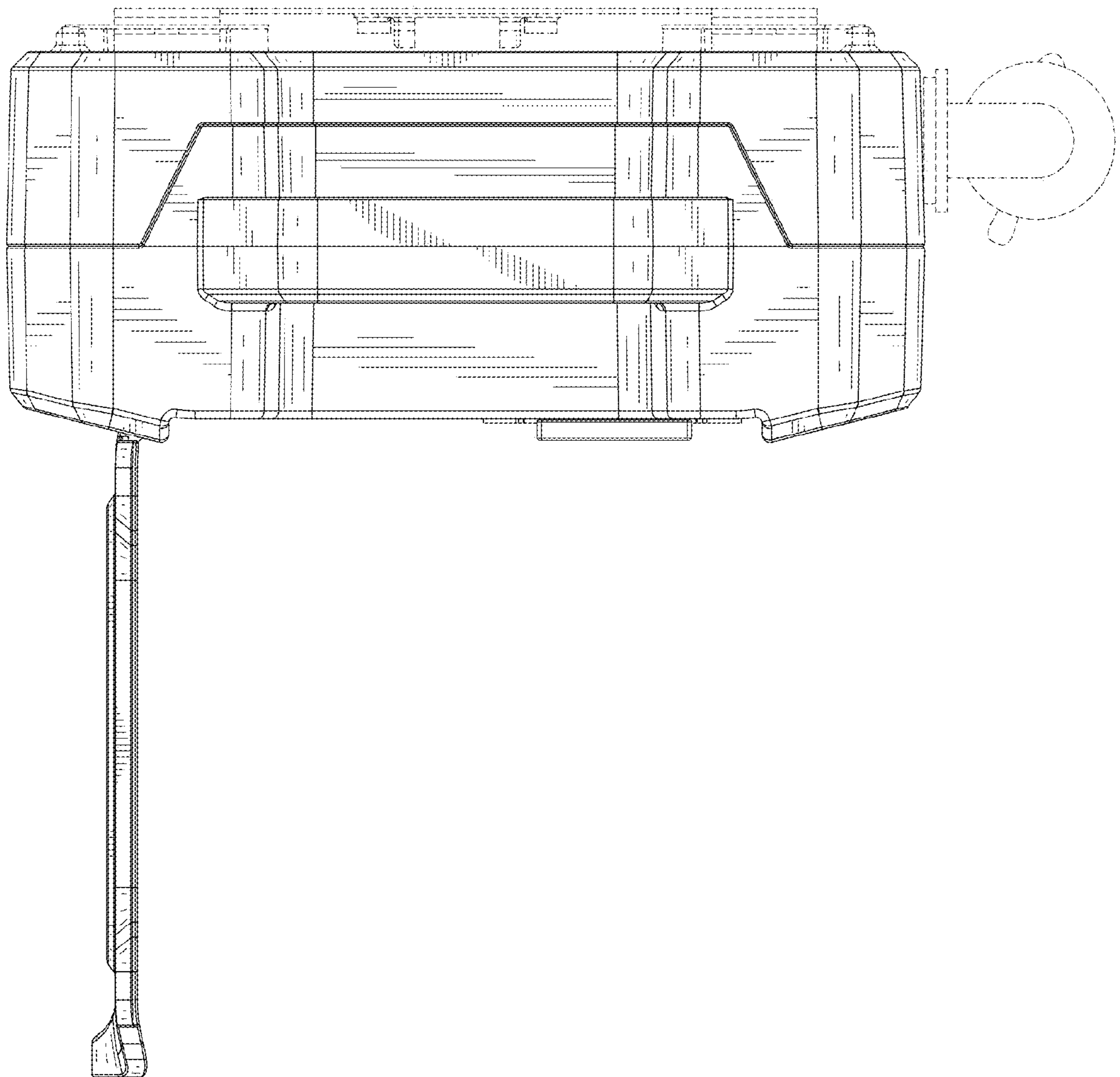


FIG. 10

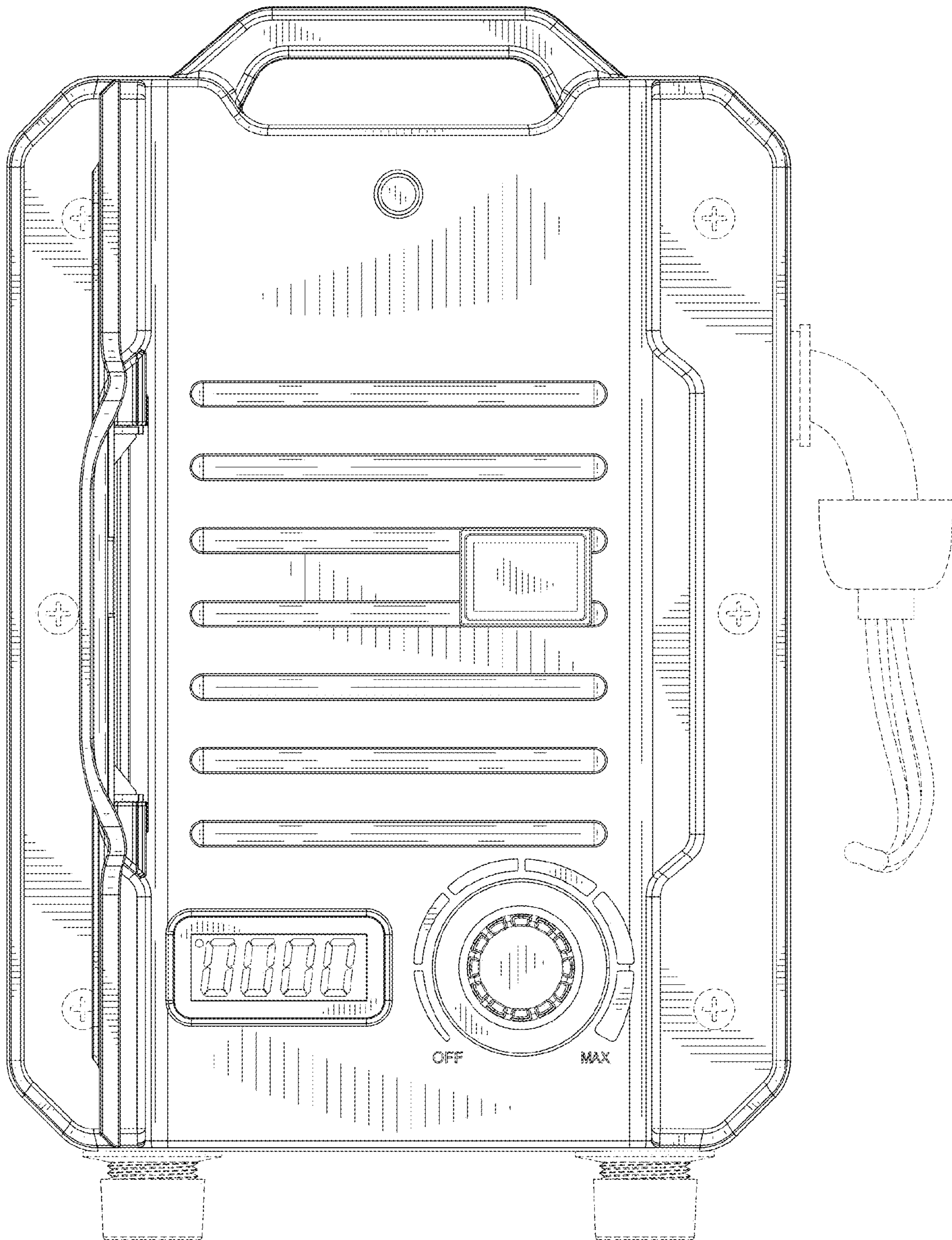


FIG. 11