



US00D950691S

(12) **United States Design Patent**
Yang

(10) **Patent No.:** **US D950,691 S**

(45) **Date of Patent:** **** May 3, 2022**

(54) **TOILET SEAT**

(71) Applicant: **Qiuquan Yang**, Guangdong (CN)

(72) Inventor: **Qiuquan Yang**, Guangdong (CN)

(**) Term: **15 Years**

(21) Appl. No.: **29/785,669**

(22) Filed: **May 26, 2021**

(51) **LOC (13) Cl.** **23-02**

(52) **U.S. Cl.**
USPC **D23/311**

(58) **Field of Classification Search**
USPC D23/311
See application file for complete search history.

(56) **References Cited**

U.S. PATENT DOCUMENTS

D330,755 S *	11/1992	Gerlach	D23/311
D332,830 S *	1/1993	Gerlach	D23/311
D423,655 S *	4/2000	Otte	A47K 13/00
				D23/311
6,449,780 B1 *	9/2002	Merry	A47K 13/06
				4/235
RE38,191 E *	7/2003	Otte	A47K 13/00
				D23/311
D532,496 S *	11/2006	Bates	D23/311
D593,655 S *	6/2009	De Lay	D23/311
D593,656 S *	6/2009	De Lay	D23/311
D593,657 S *	6/2009	De Lay	D23/311
D706,402 S *	6/2014	Yeung	D23/311
D831,803 S	10/2018	Stevenson et al.		
10,188,246 B1 *	1/2019	Ciotic	A47K 13/02
D854,667 S *	7/2019	Wu	D23/311
D855,783 S *	8/2019	Wu	D23/311
D858,725 S *	9/2019	King	D23/311

D867,560 S *	11/2019	Goad	D23/311
2001/0037521 A1 *	11/2001	Bryant	A47K 13/02
				4/237
2006/0107450 A1 *	5/2006	Gildersleeve	A47K 13/00
				4/237

* cited by examiner

Primary Examiner — Robert A Delehanty

(57) **CLAIM**

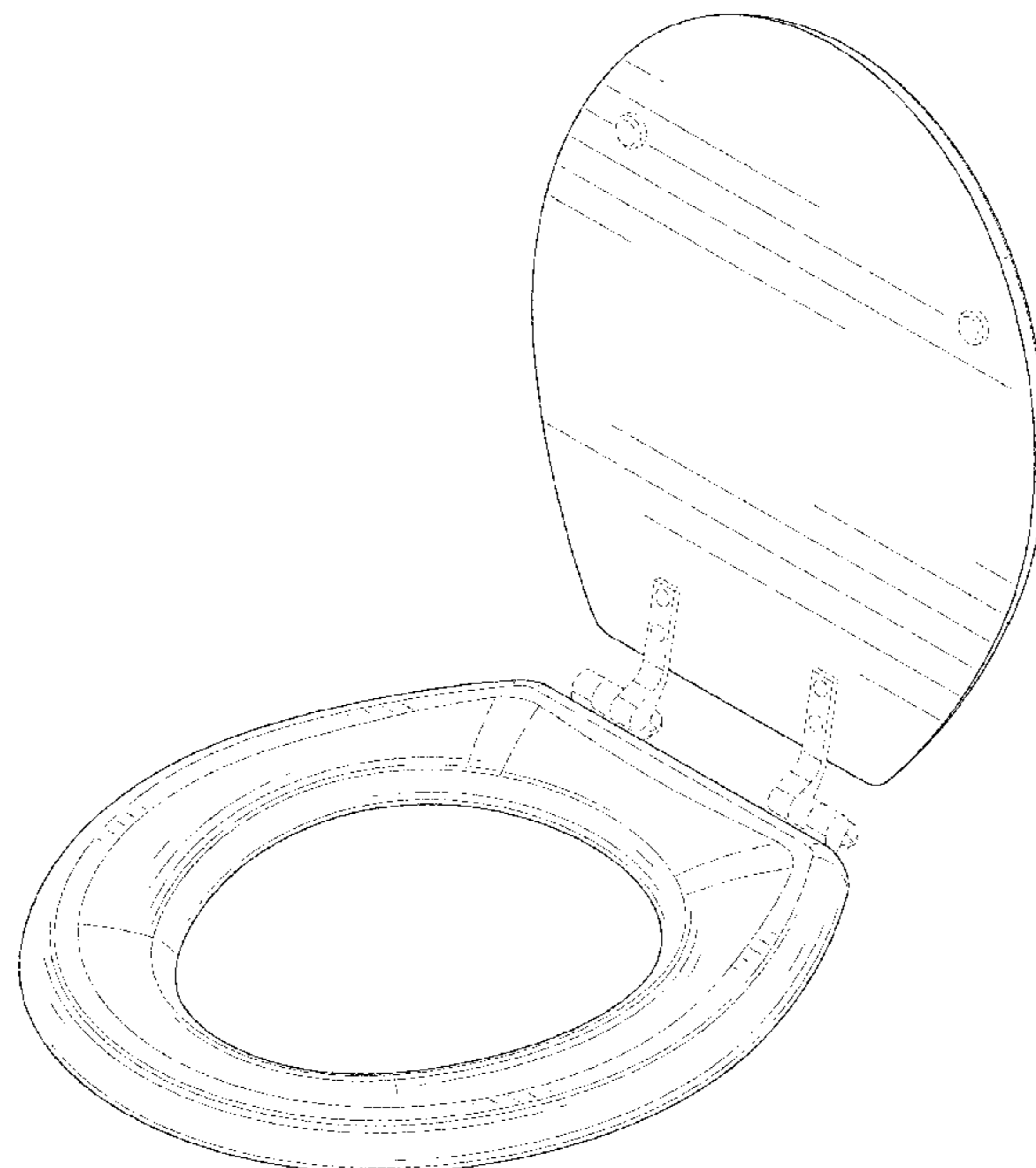
The ornamental design for a toilet seat, as shown and described.

DESCRIPTION

FIG. 1 is a front and top perspective view of a first embodiment of a toilet seat, showing my new design; FIG. 2 is a rear and bottom perspective view thereof; FIG. 3 is a front elevation view thereof; FIG. 4 is a rear elevation view thereof; FIG. 5 is a left side elevation view thereof; FIG. 6 is a right side elevation view thereof; FIG. 7 is a top plan view thereof; FIG. 8 is a bottom plan view thereof; FIG. 9 is another perspective view thereof, shown in an alternative position; FIG. 10 is a front and top perspective view of a second embodiment of the toilet seat; FIG. 11 is a rear and bottom perspective view thereof; FIG. 12 is a front elevation view thereof; FIG. 13 is a rear elevation view thereof; FIG. 14 is a left side elevation view thereof; FIG. 15 is a right side elevation view thereof; FIG. 16 is a top plan view thereof; FIG. 17 is a bottom plan view thereof; and, FIG. 18 is another perspective view thereof, shown in an alternative position.

The broken lines in the figures illustrate portions of the toilet seat that form no part of the claimed design.

1 Claim, 18 Drawing Sheets



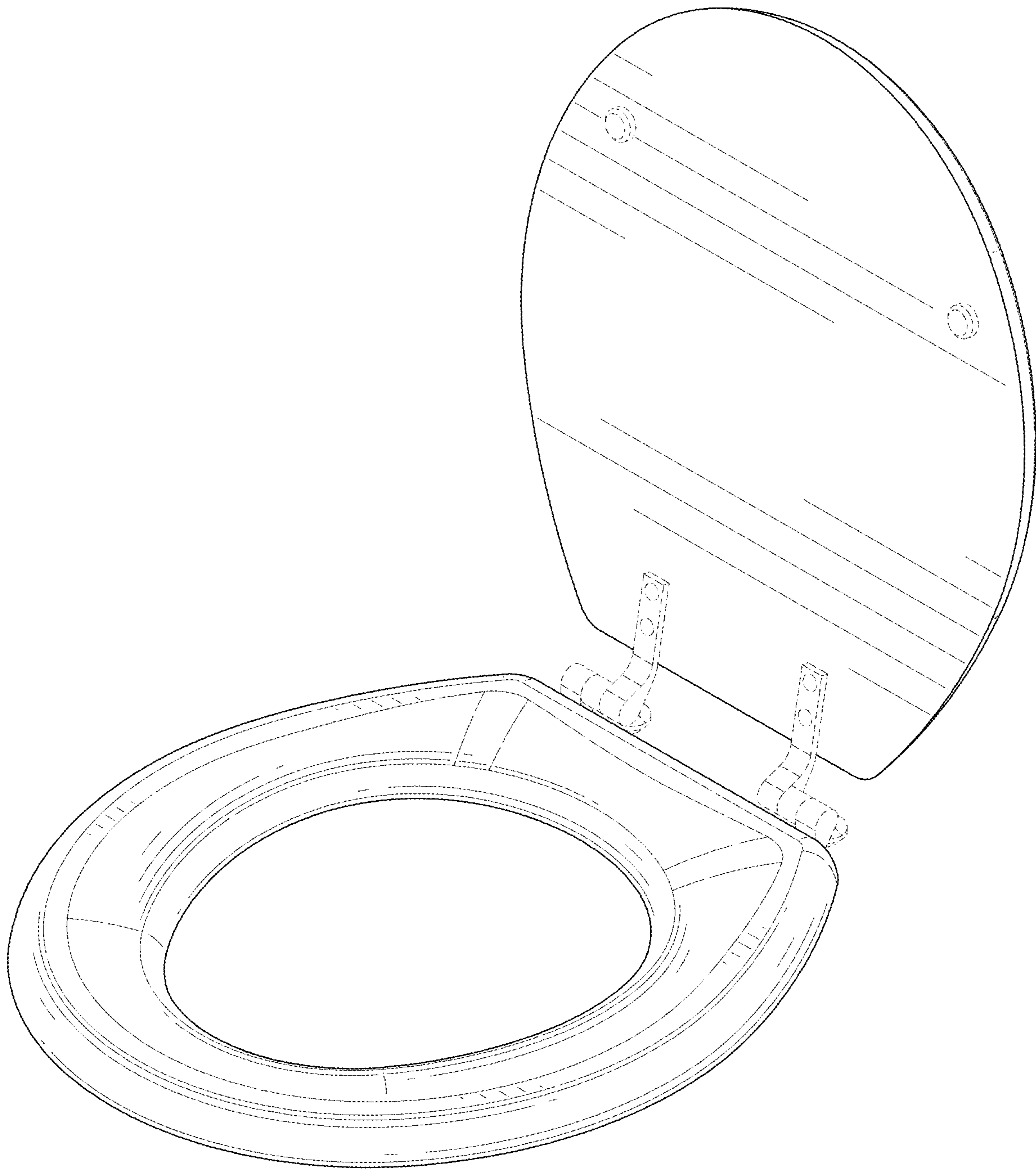


FIG. 1

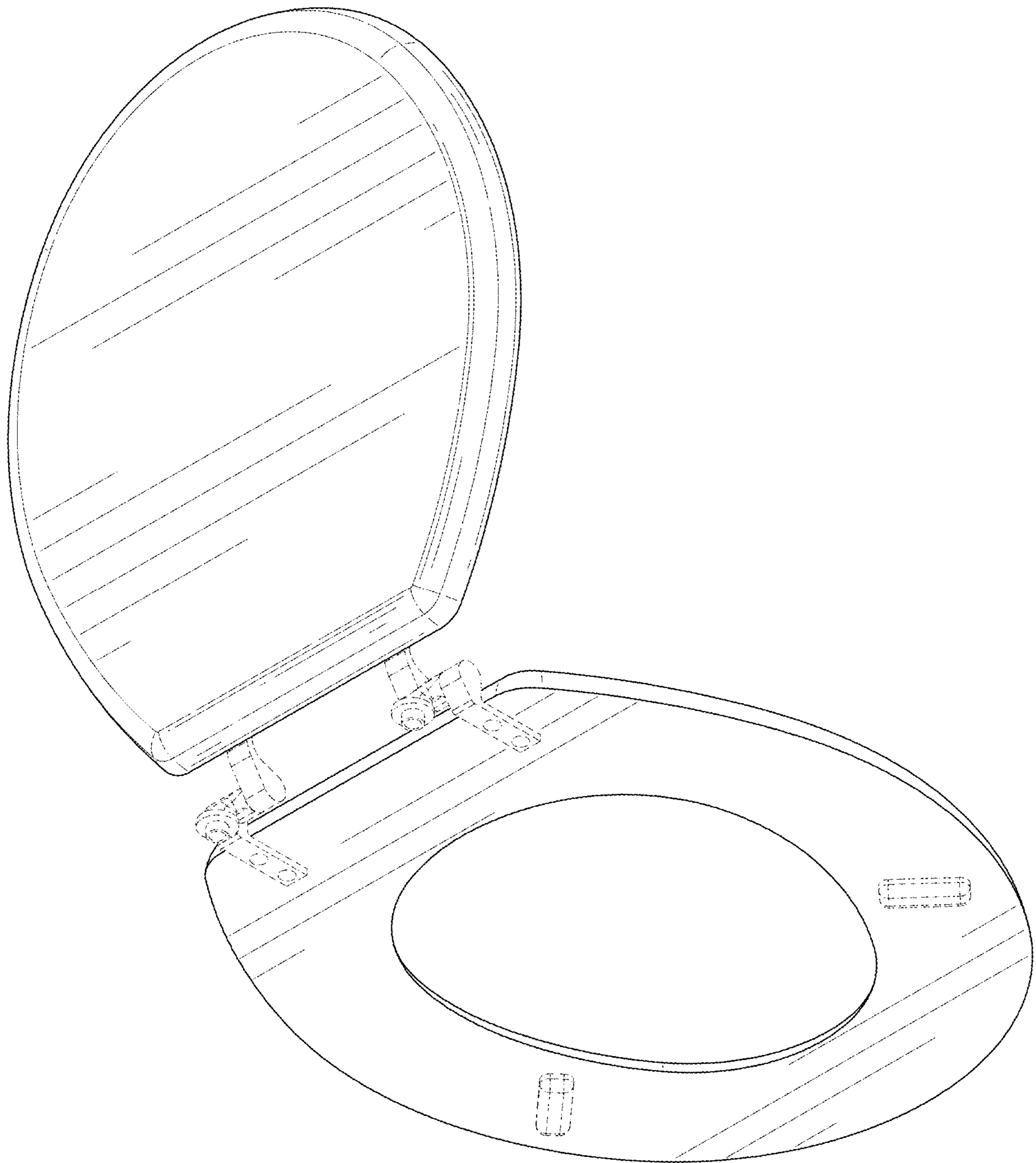


FIG. 2

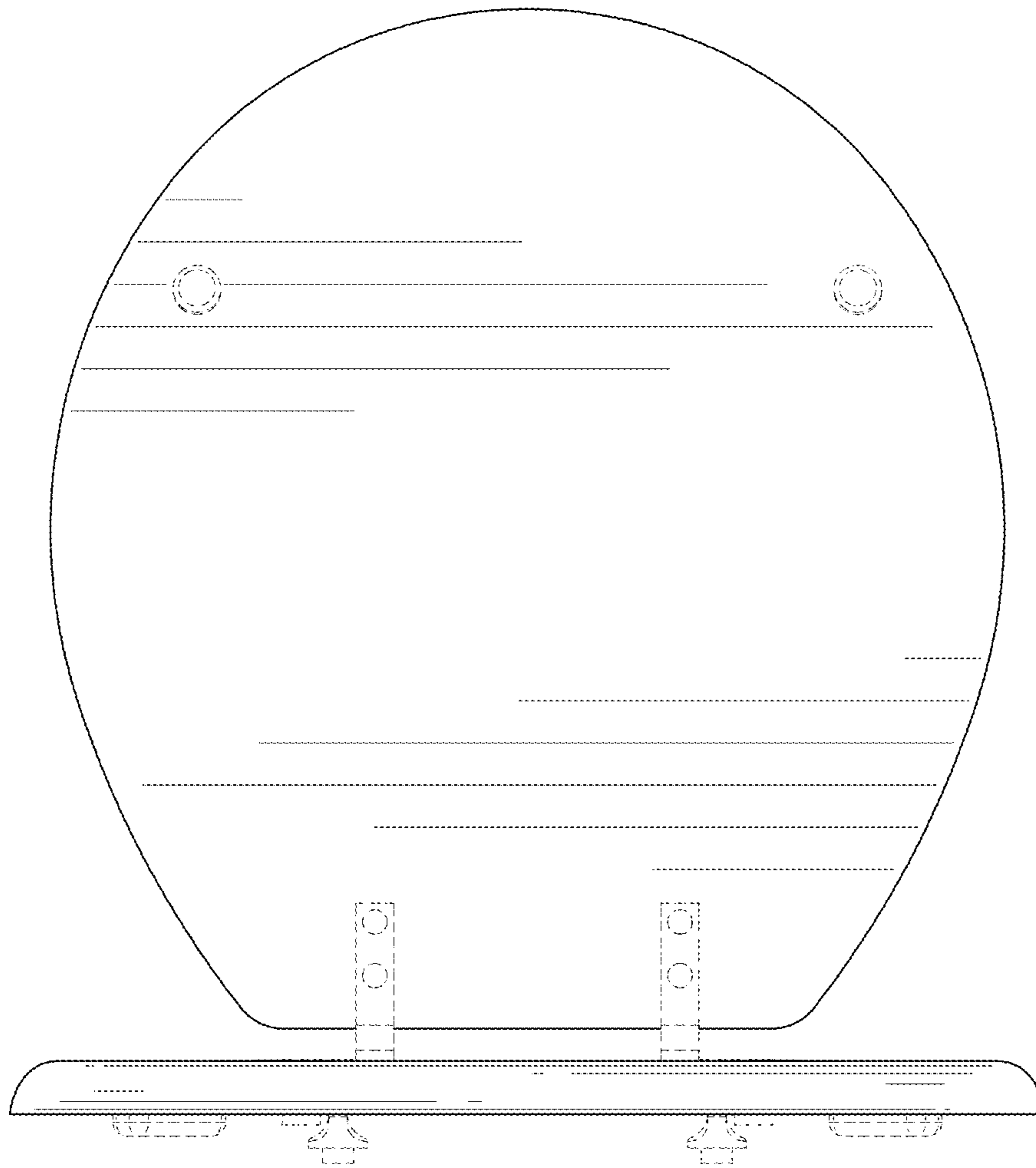


FIG. 3

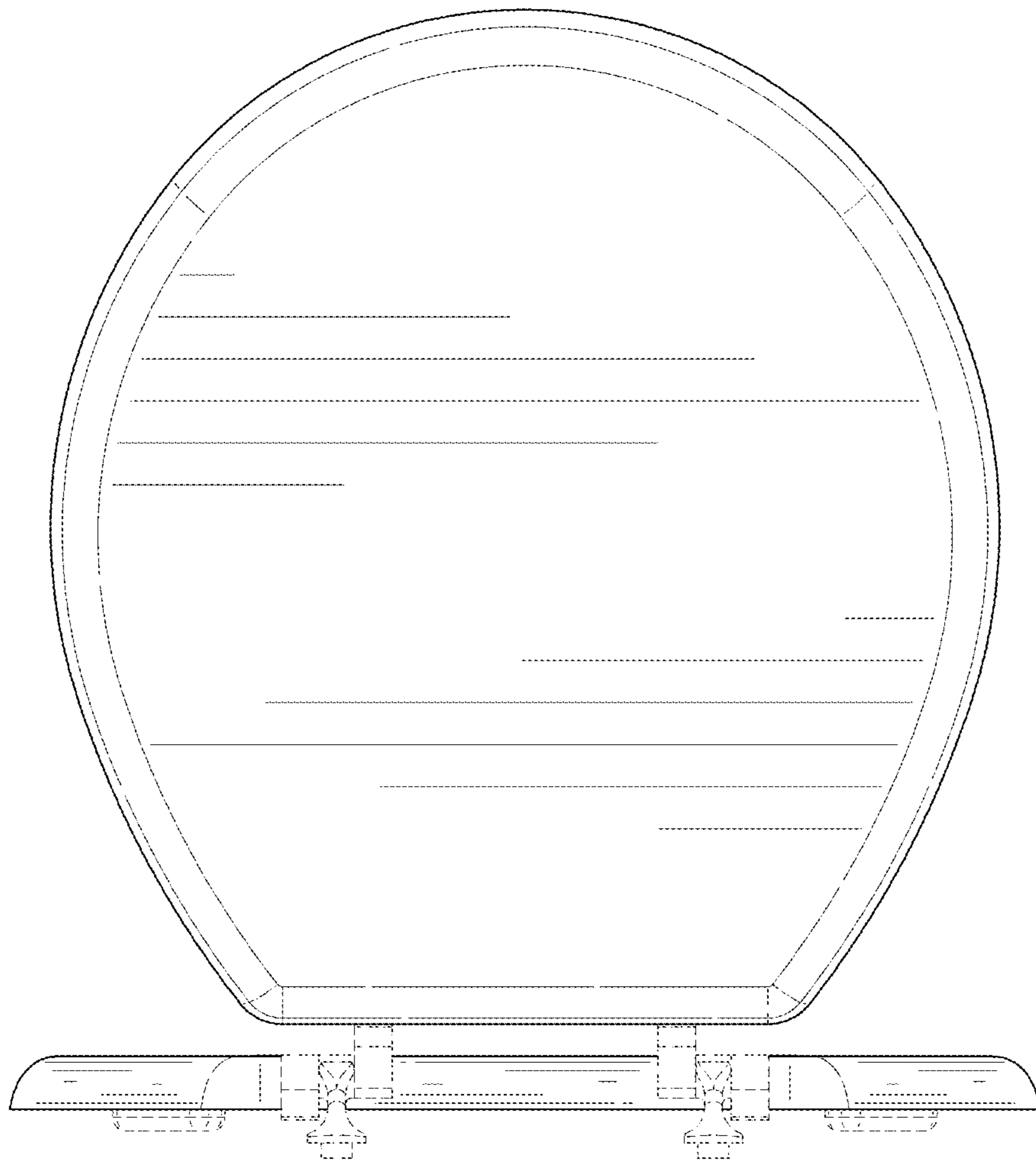


FIG. 4

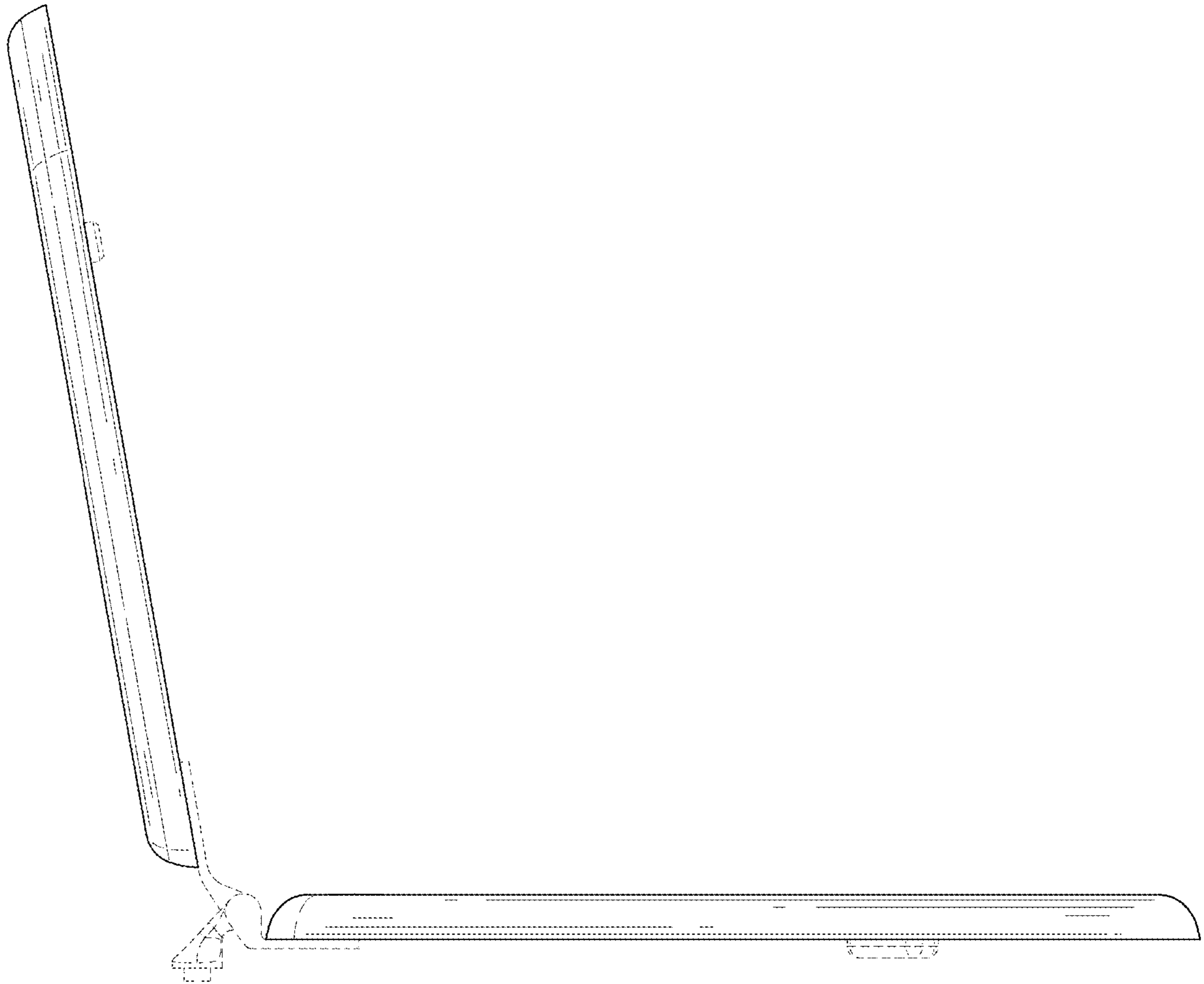


FIG. 5

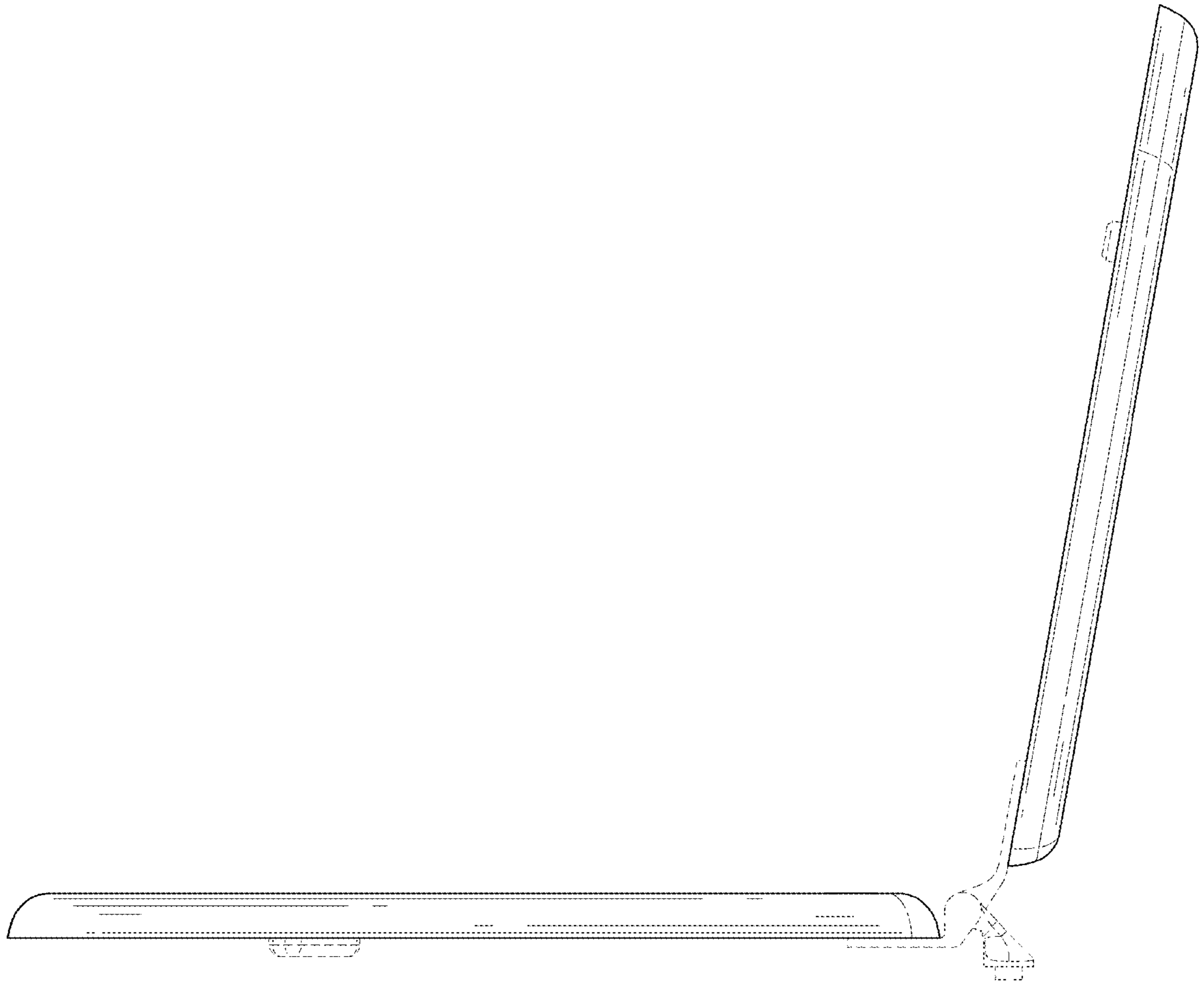


FIG. 6

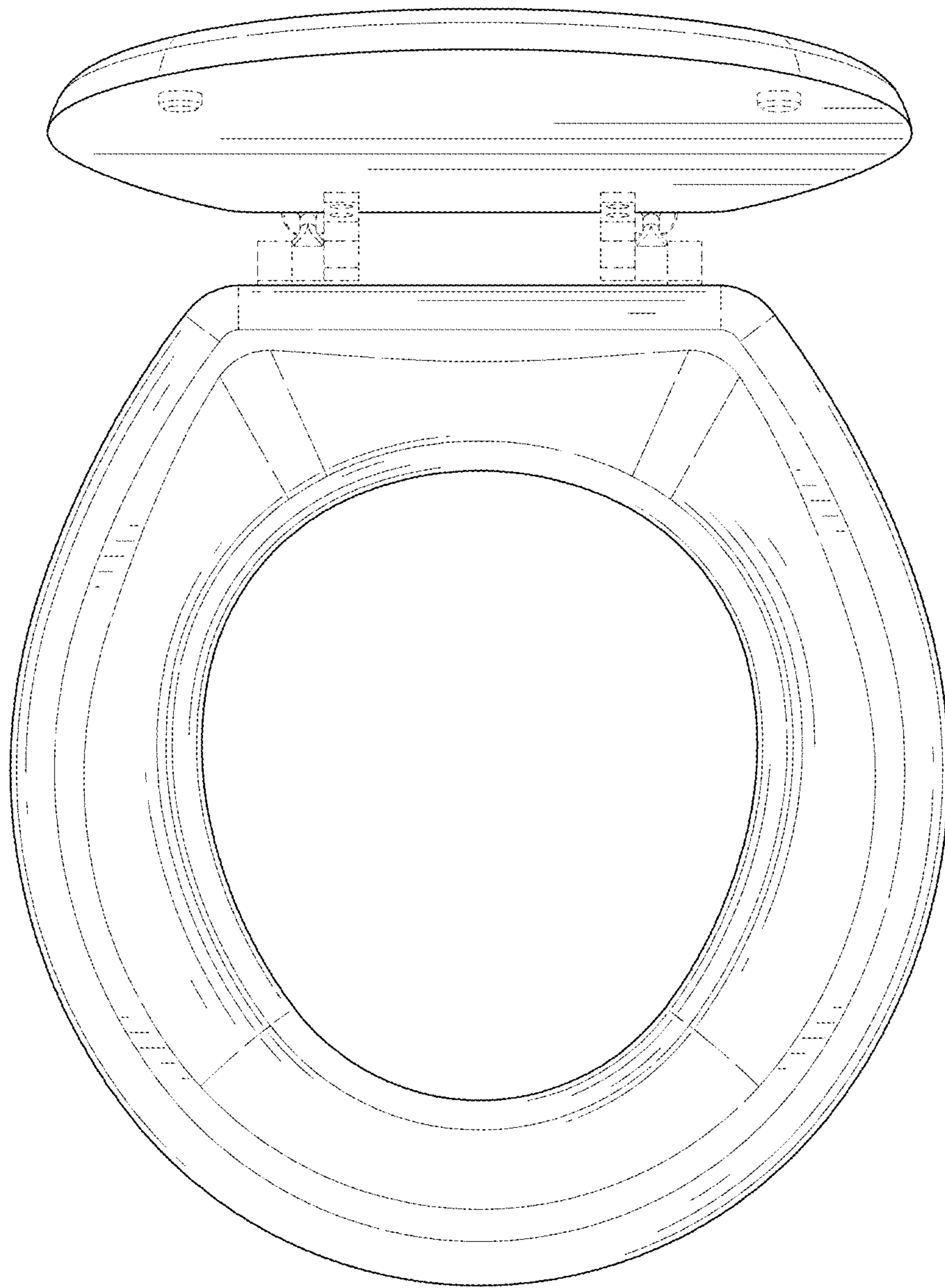


FIG. 7

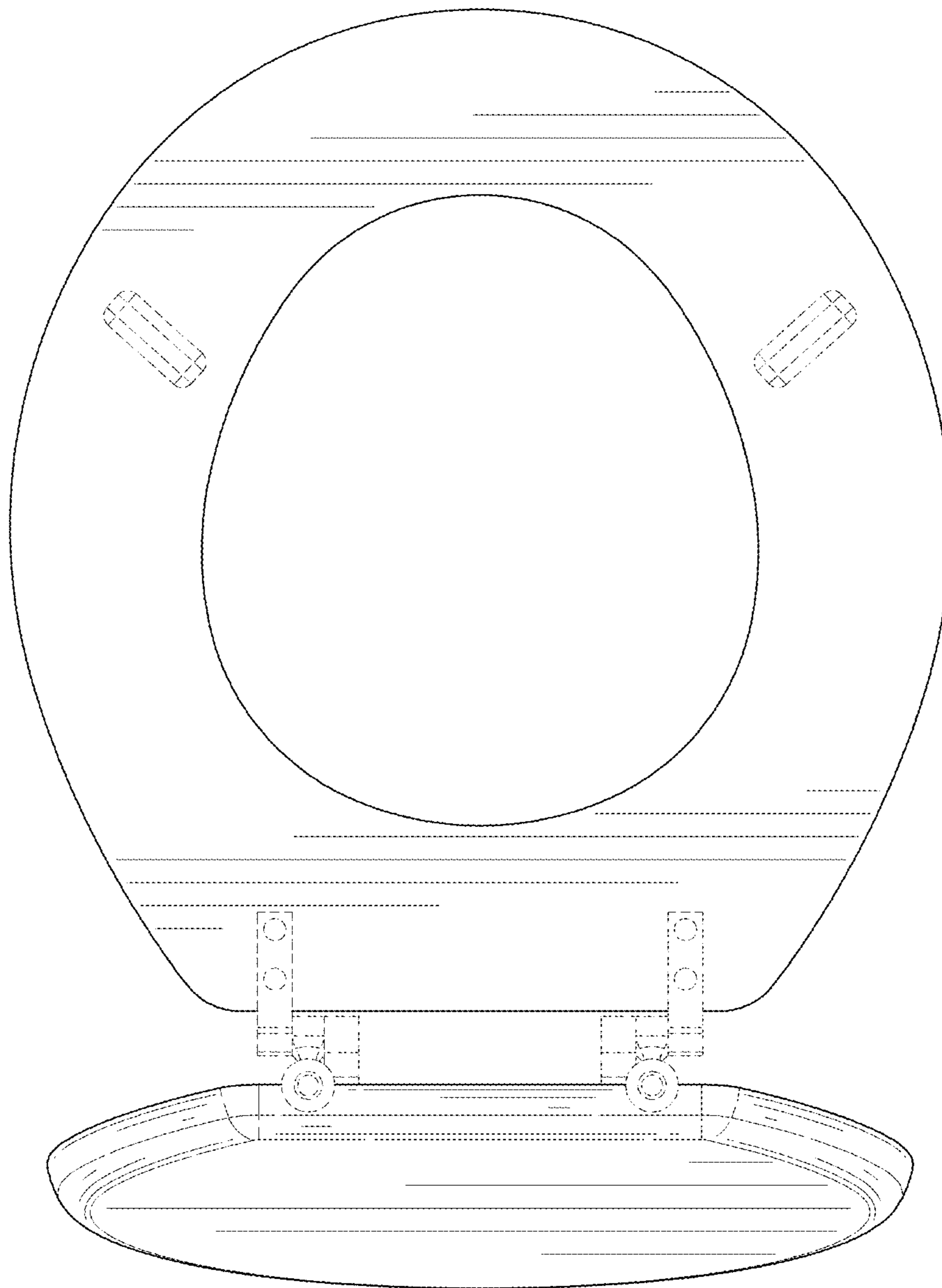


FIG. 8

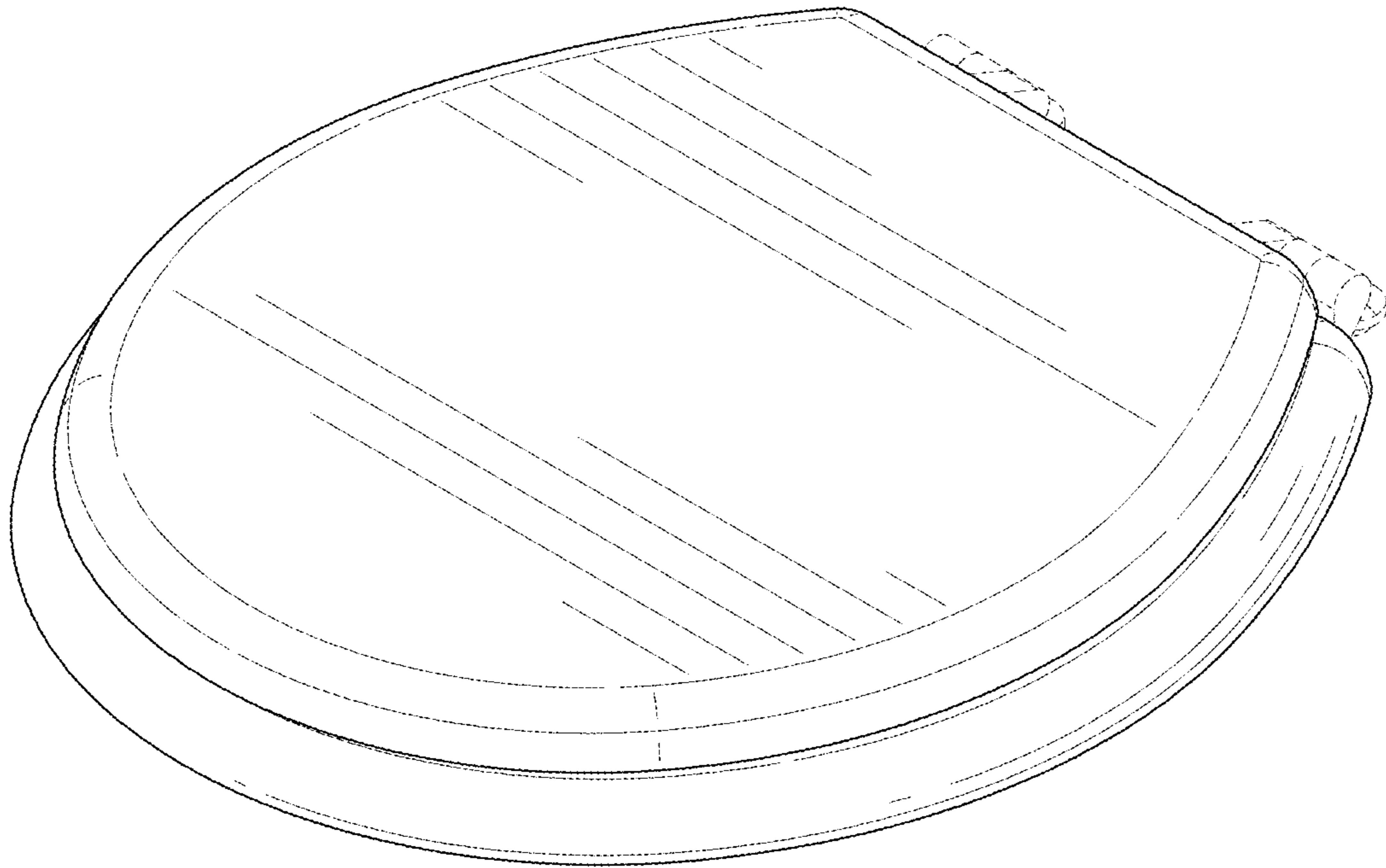


FIG. 9

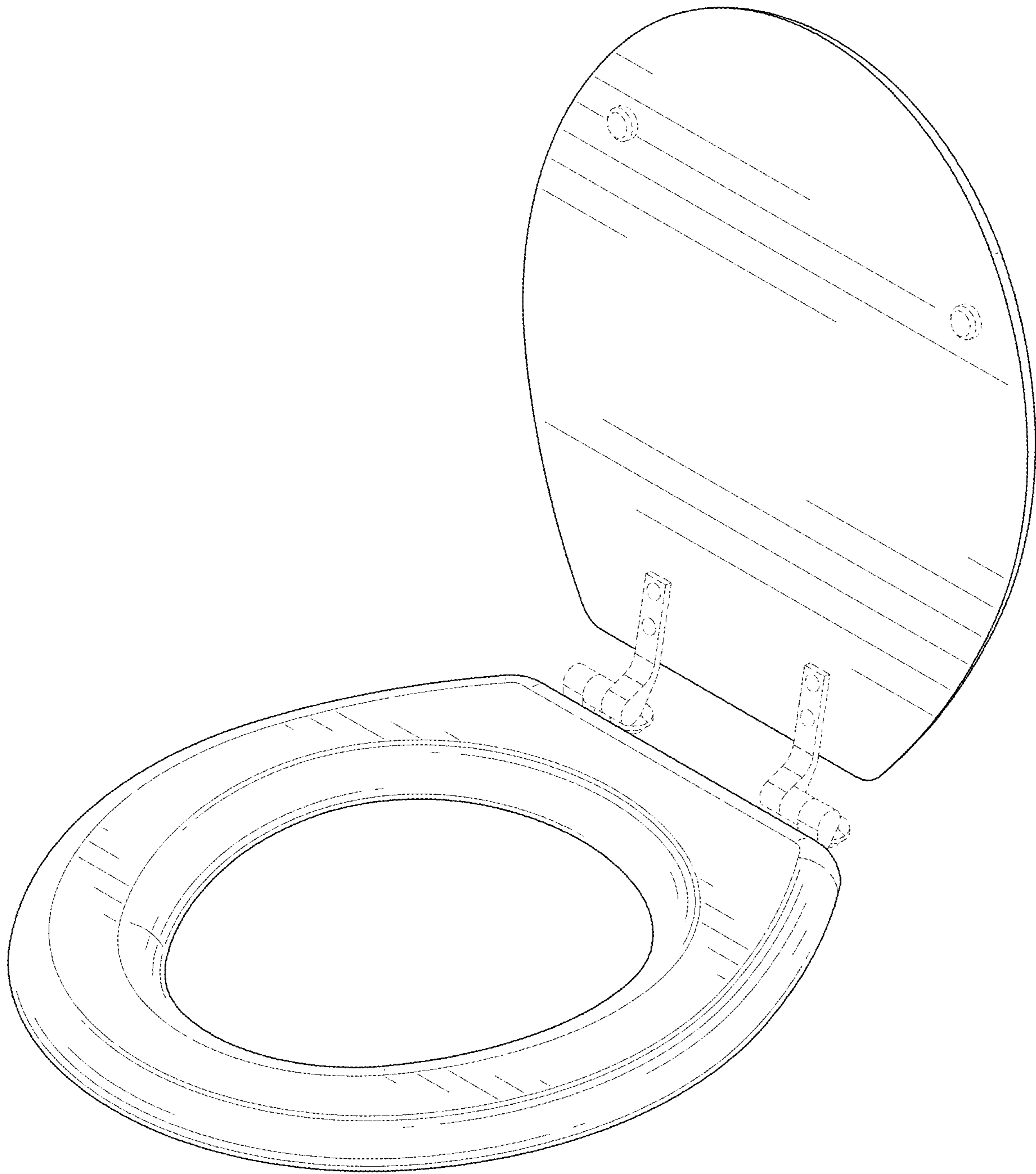


FIG. 10

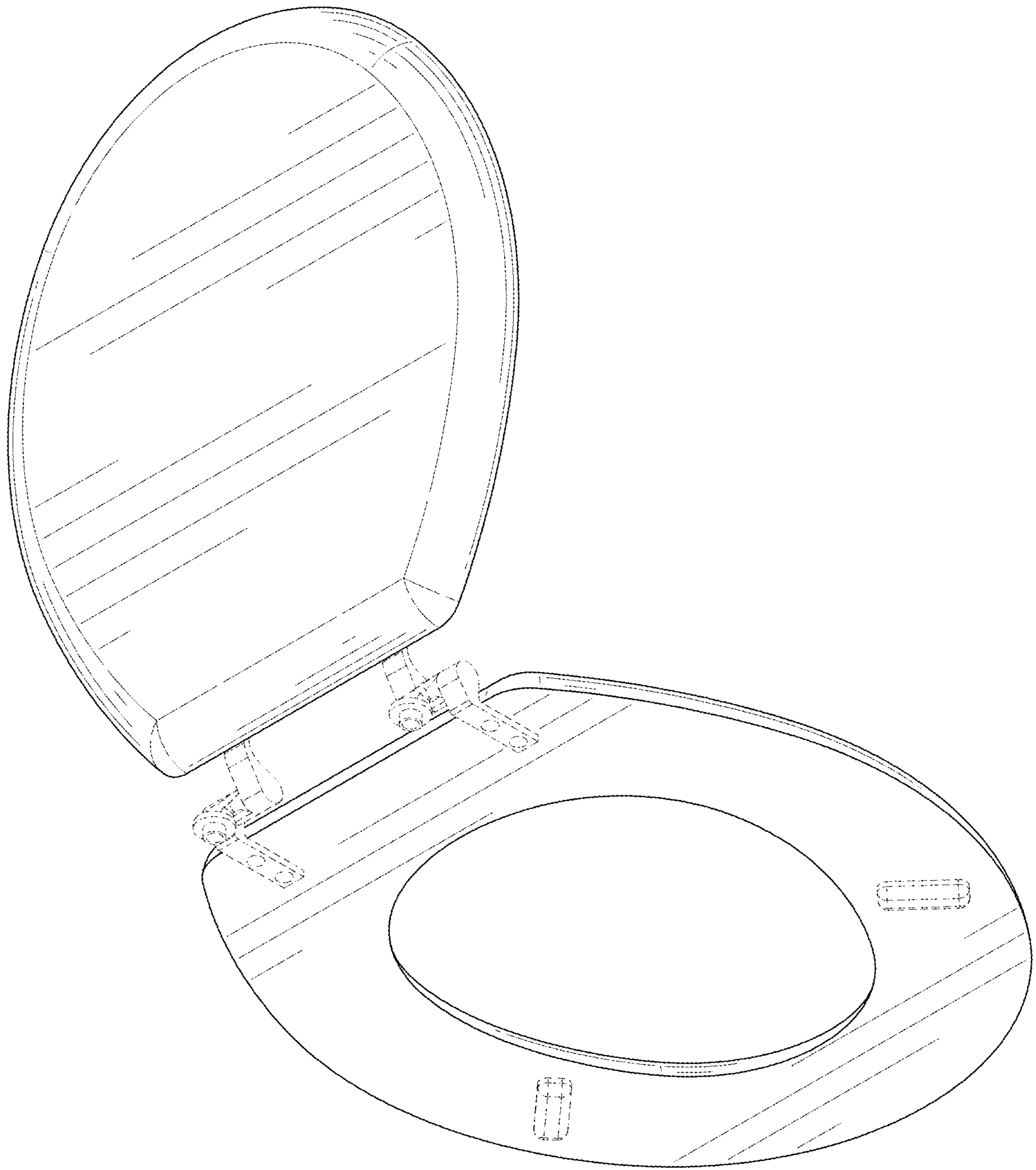


FIG. 11

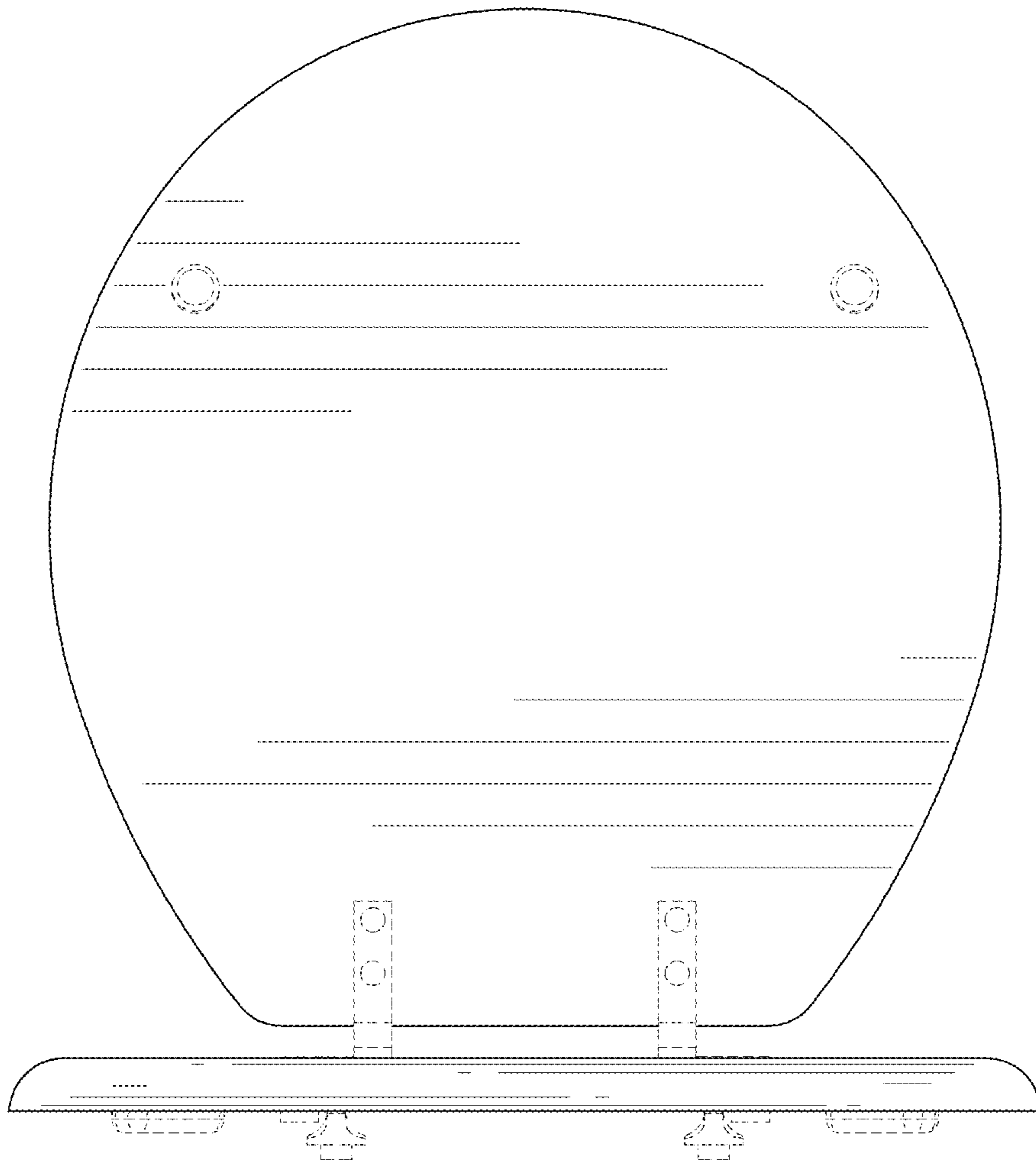


FIG. 12

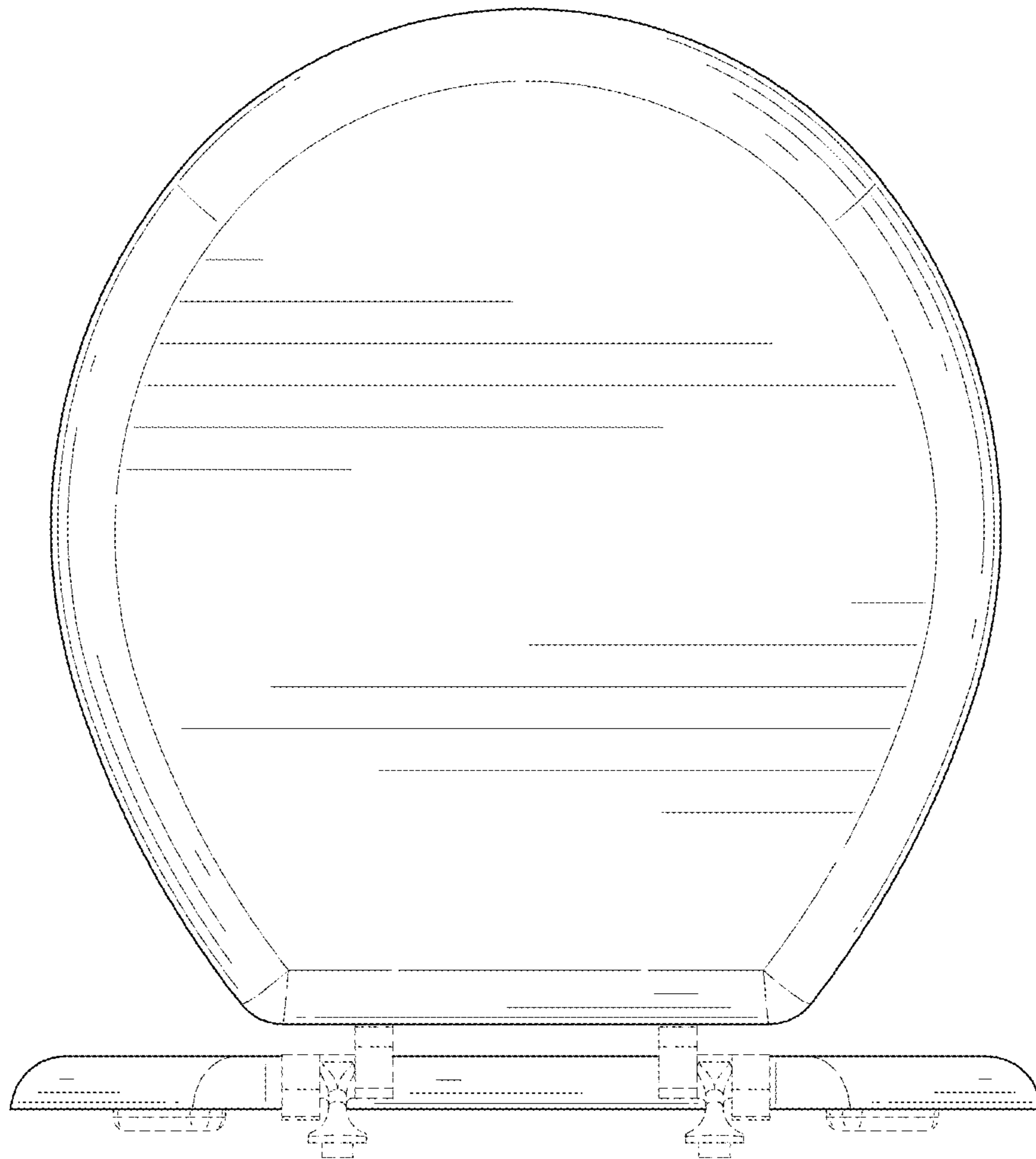


FIG. 13

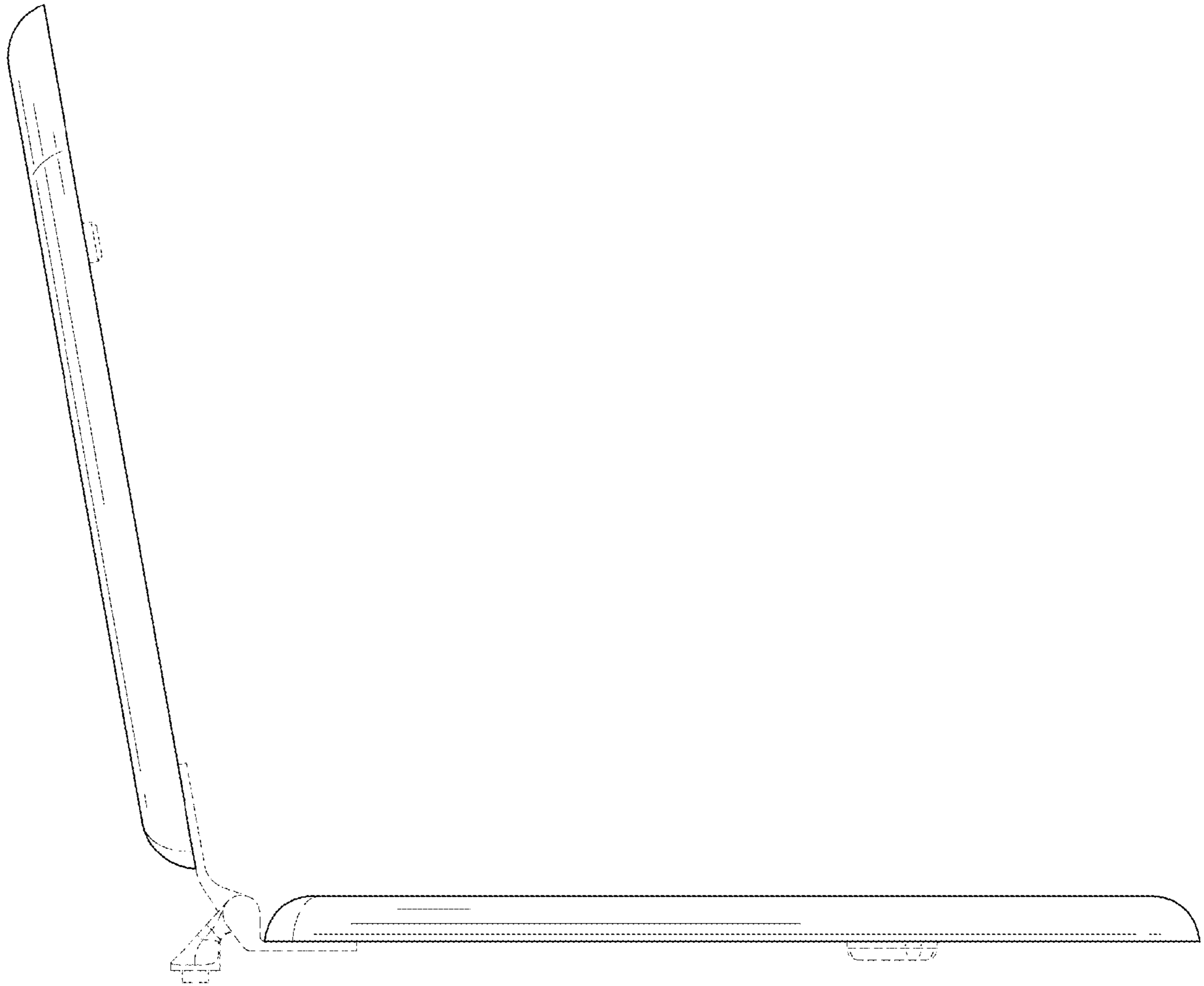


FIG. 14

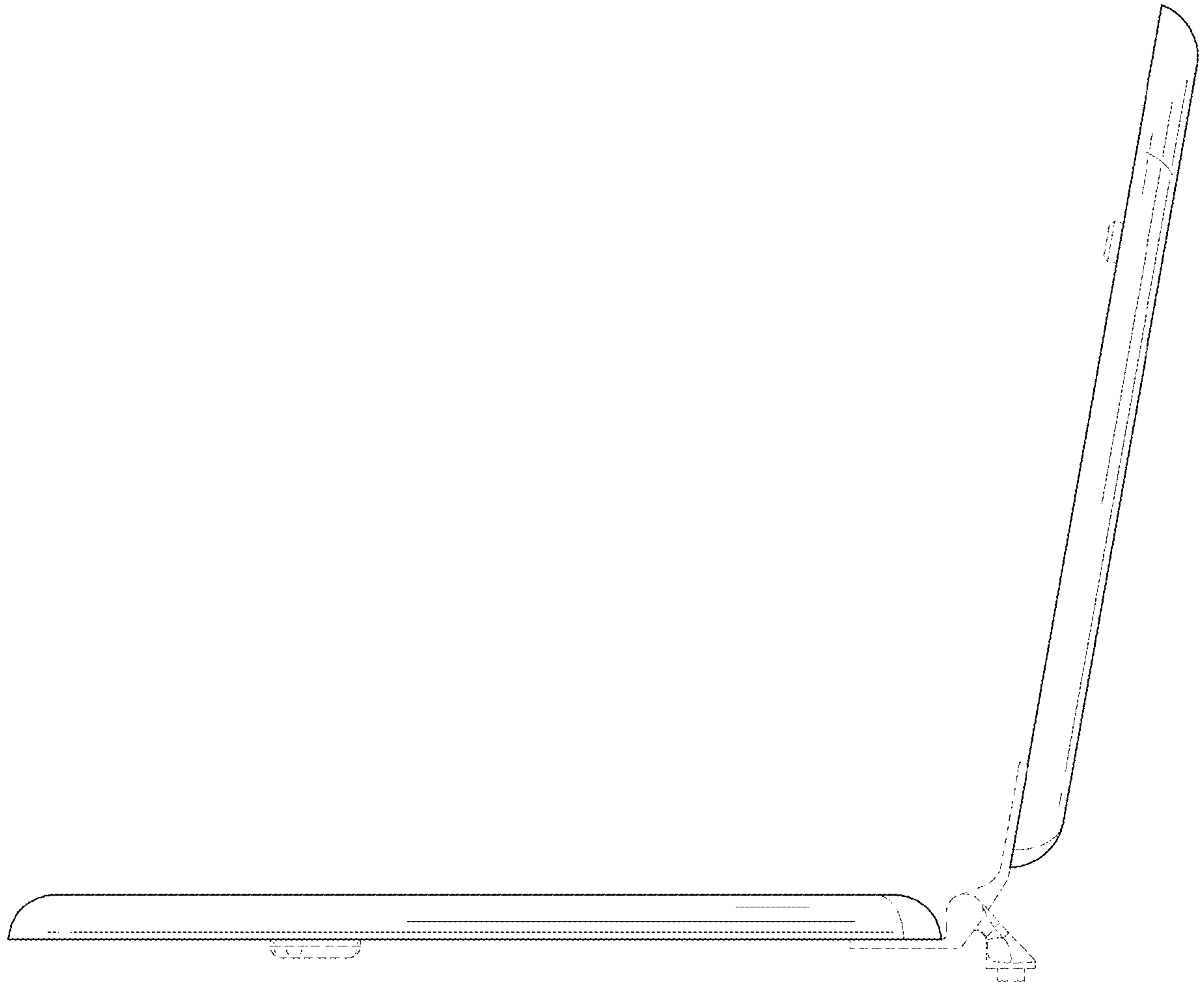


FIG. 15

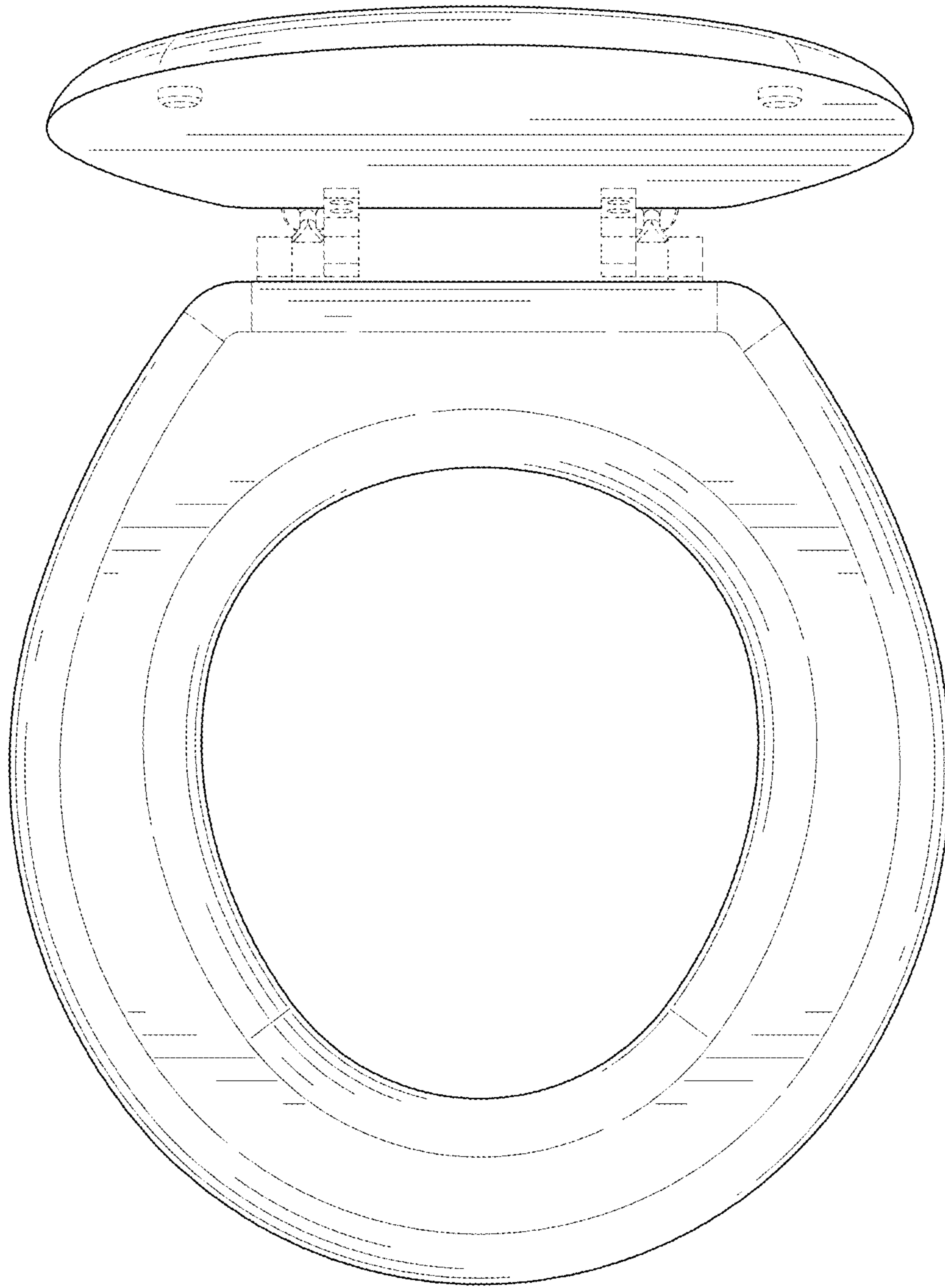


FIG. 16

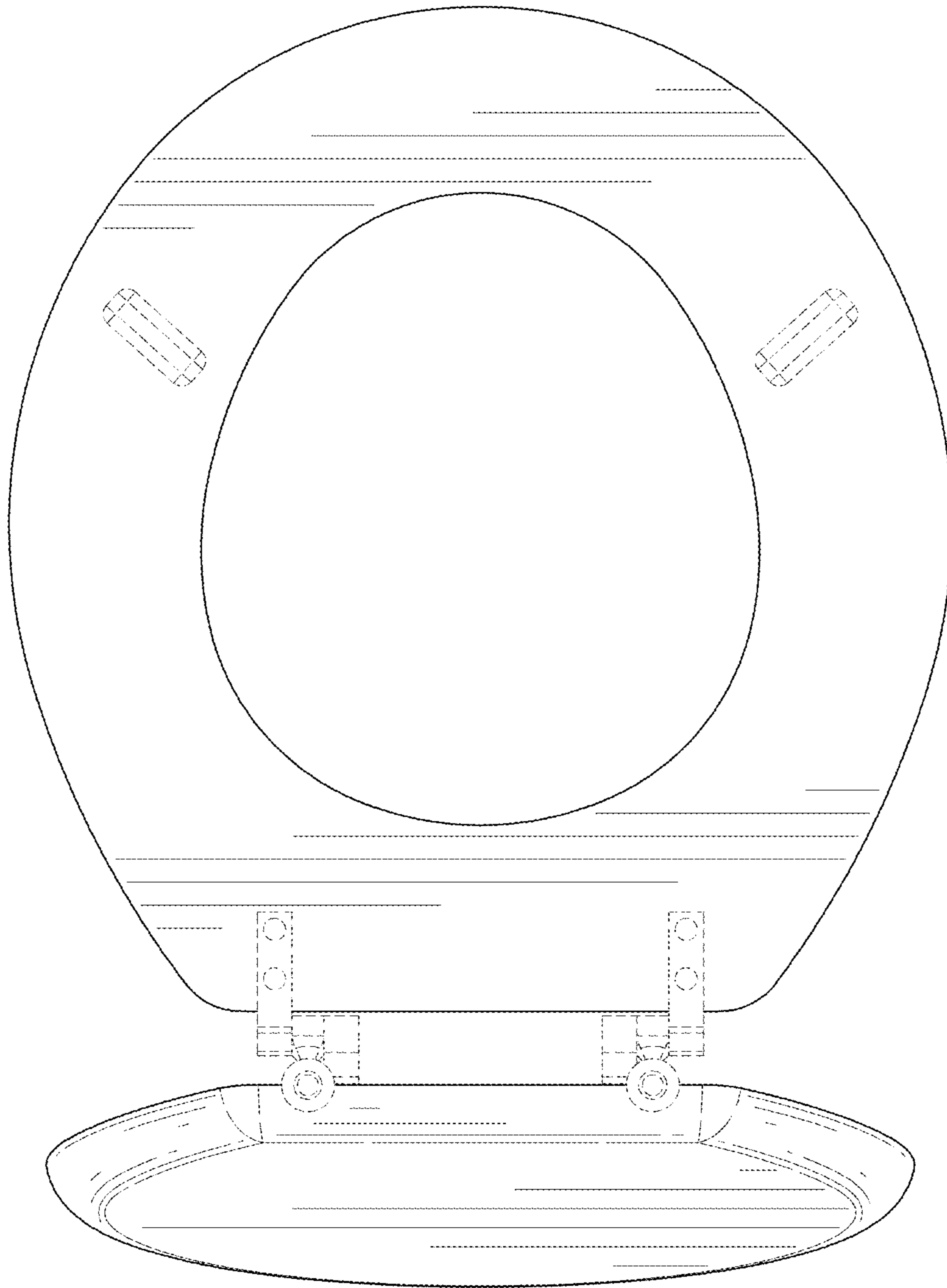


FIG. 17

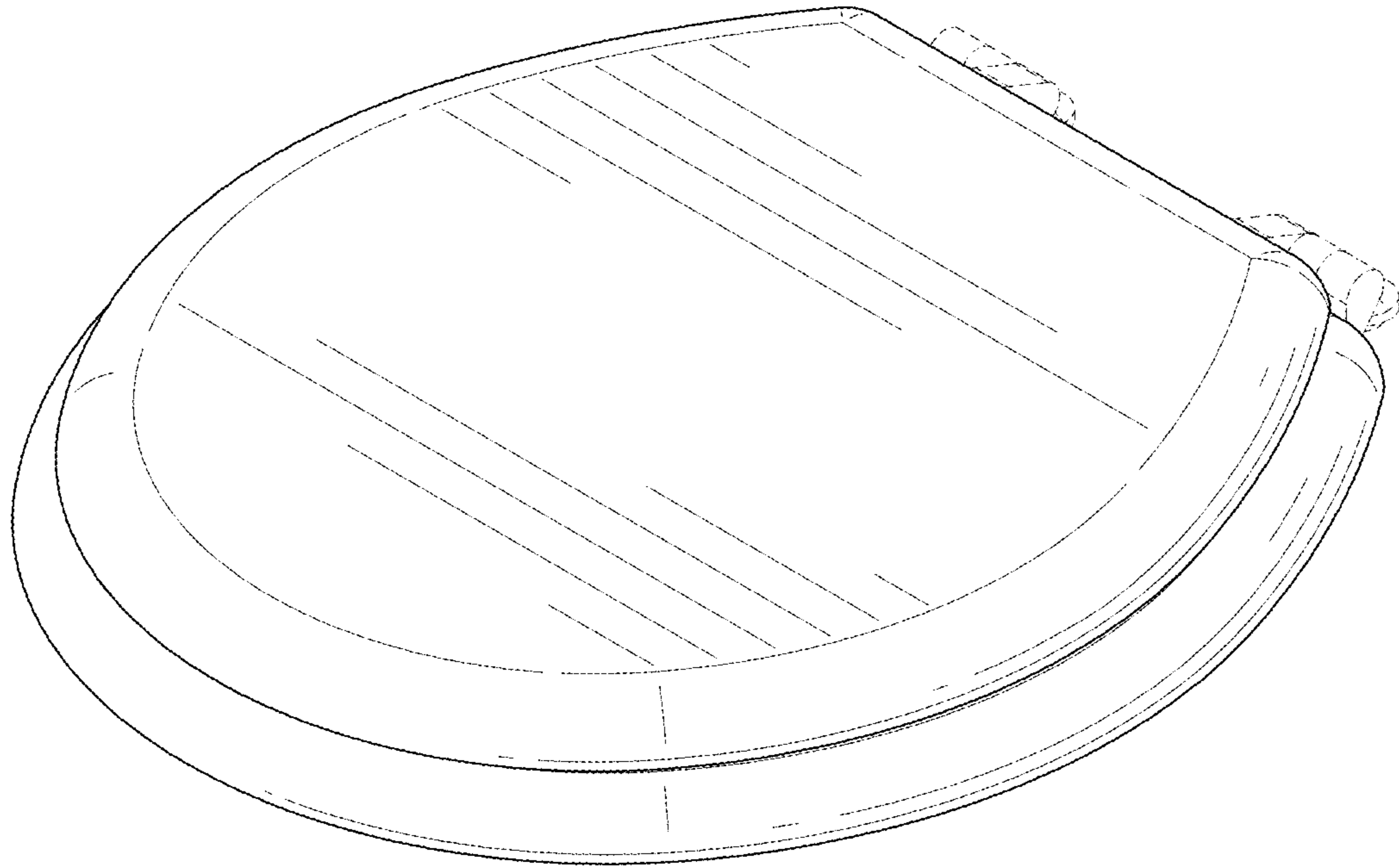


FIG. 18