



US00D950689S

(12) **United States Design Patent**
Bucher

(10) **Patent No.:** **US D950,689 S**

(45) **Date of Patent:** **** May 3, 2022**

(54) **TOILET**

(71) Applicant: **AS America, Inc.**, Piscataway, NJ (US)

(72) Inventor: **Christophe Bucher**, Hillsborough, NJ (US)

(73) Assignee: **AS America, Inc.**, Piscataway, NJ (US)

(**) Term: **15 Years**

(21) Appl. No.: **29/814,407**

(22) Filed: **Nov. 5, 2021**

Related U.S. Application Data

(62) Division of application No. 29/711,170, filed on Oct. 29, 2019, now Pat. No. Des. 937,995.

(51) **LOC (13) Cl.** **23-02**

(52) **U.S. Cl.**
USPC **D23/295**

(58) **Field of Classification Search**
USPC D23/295, 301, 309, 313
See application file for complete search history.

(56) **References Cited**

U.S. PATENT DOCUMENTS

D600,333 S * 9/2009 Liu D23/295
D658,277 S * 4/2012 Iranyi D23/295

D703,797 S * 4/2014 Shinozaki D23/300
D732,150 S * 6/2015 Jung D23/295
D765,228 S * 8/2016 Cummings D23/300
10,047,510 B2 * 8/2018 Cummings E03D 11/08
D848,588 S * 5/2019 L'Henaff D23/295
2019/0292762 A1 * 9/2019 He E03D 11/02

* cited by examiner

Primary Examiner — Robert A Delehanty

(74) *Attorney, Agent, or Firm* — Tyler A. Stevenson;
Anna-lisa L. Gallo

(57) **CLAIM**

I claim the ornamental design for a toilet, shown and described.

DESCRIPTION

FIG. 1 is a front, top, right side perspective view of a toilet showing my new design;

FIG. 2 is a front view thereof;

FIG. 3 is a rear view thereof;

FIG. 4 is a left side view thereof;

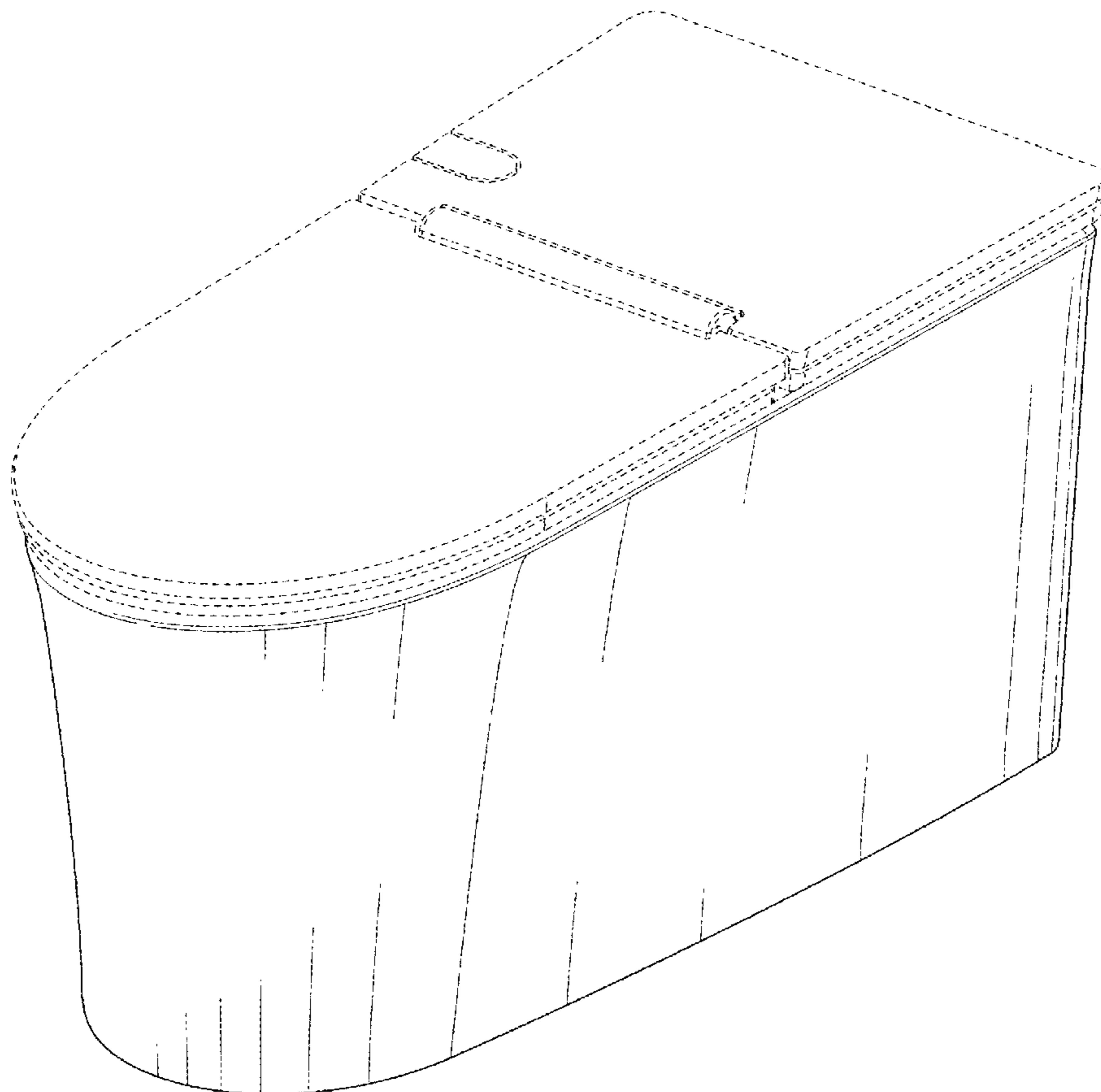
FIG. 5 is a right side view thereof;

FIG. 6 is a top view thereof; and,

FIG. 7 is a bottom view thereof.

Broken lines shown in the figures depict portions of the toilet that form no part of the claimed design.

1 Claim, 7 Drawing Sheets



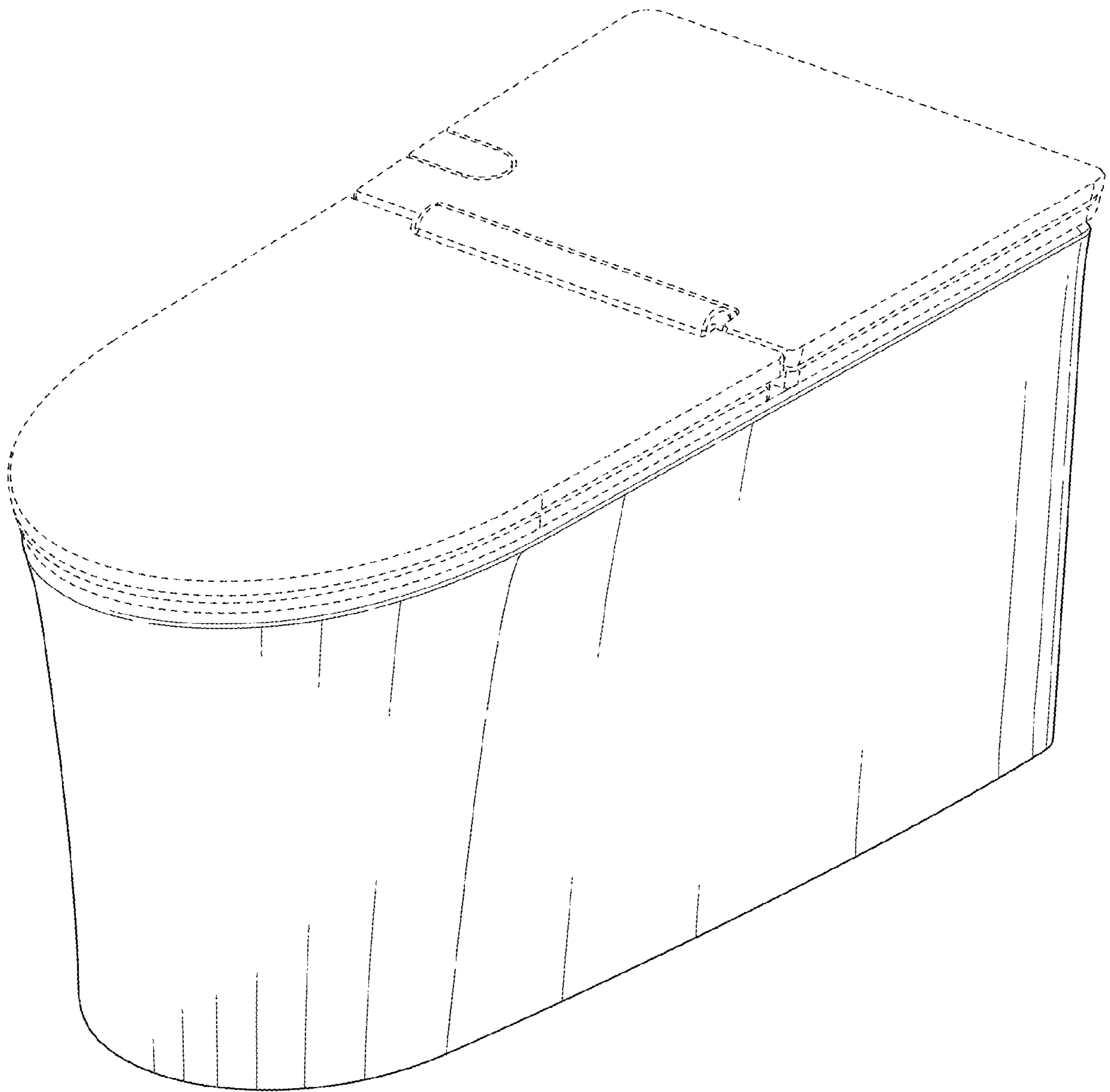


FIG. 1

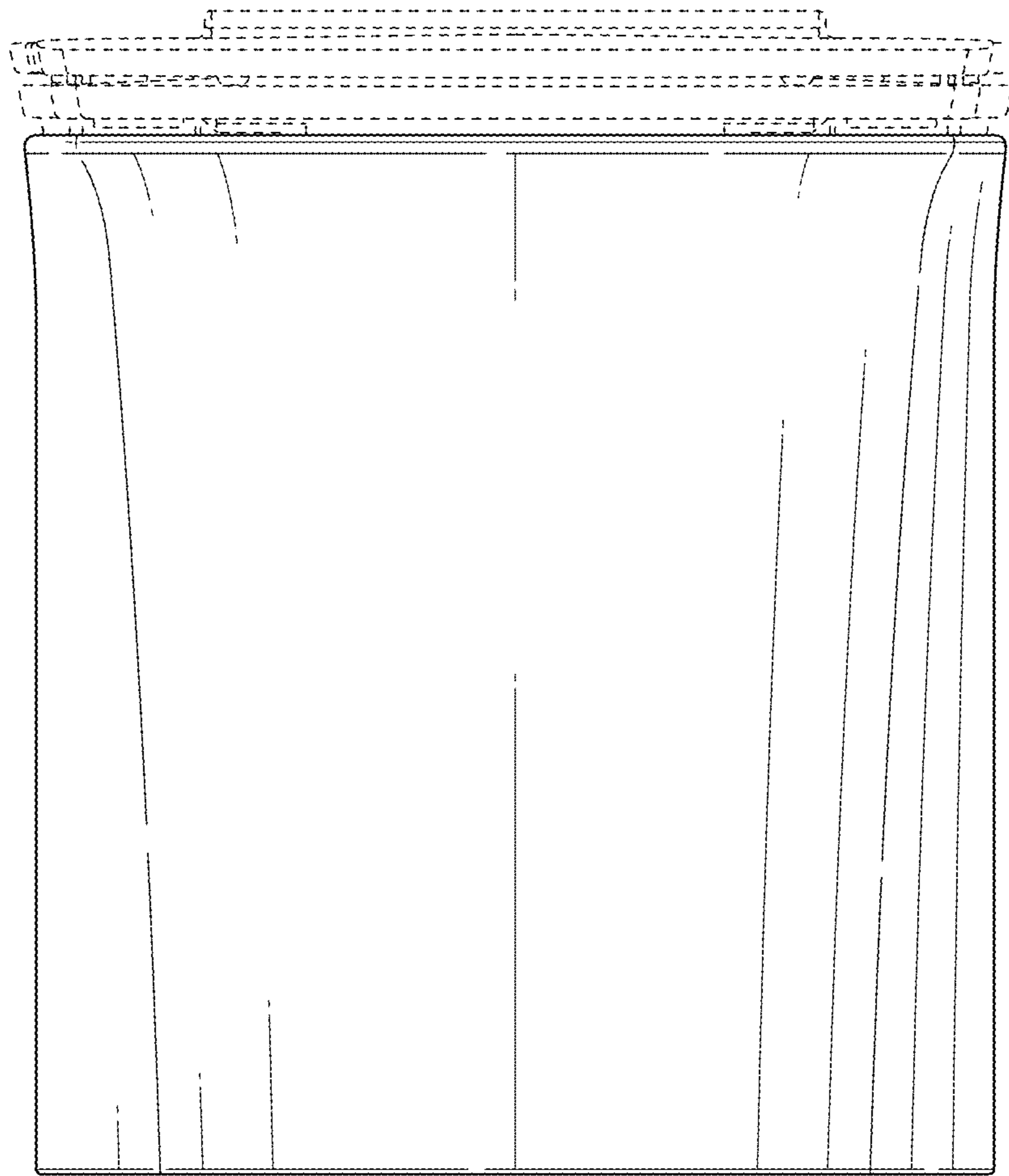


FIG. 2

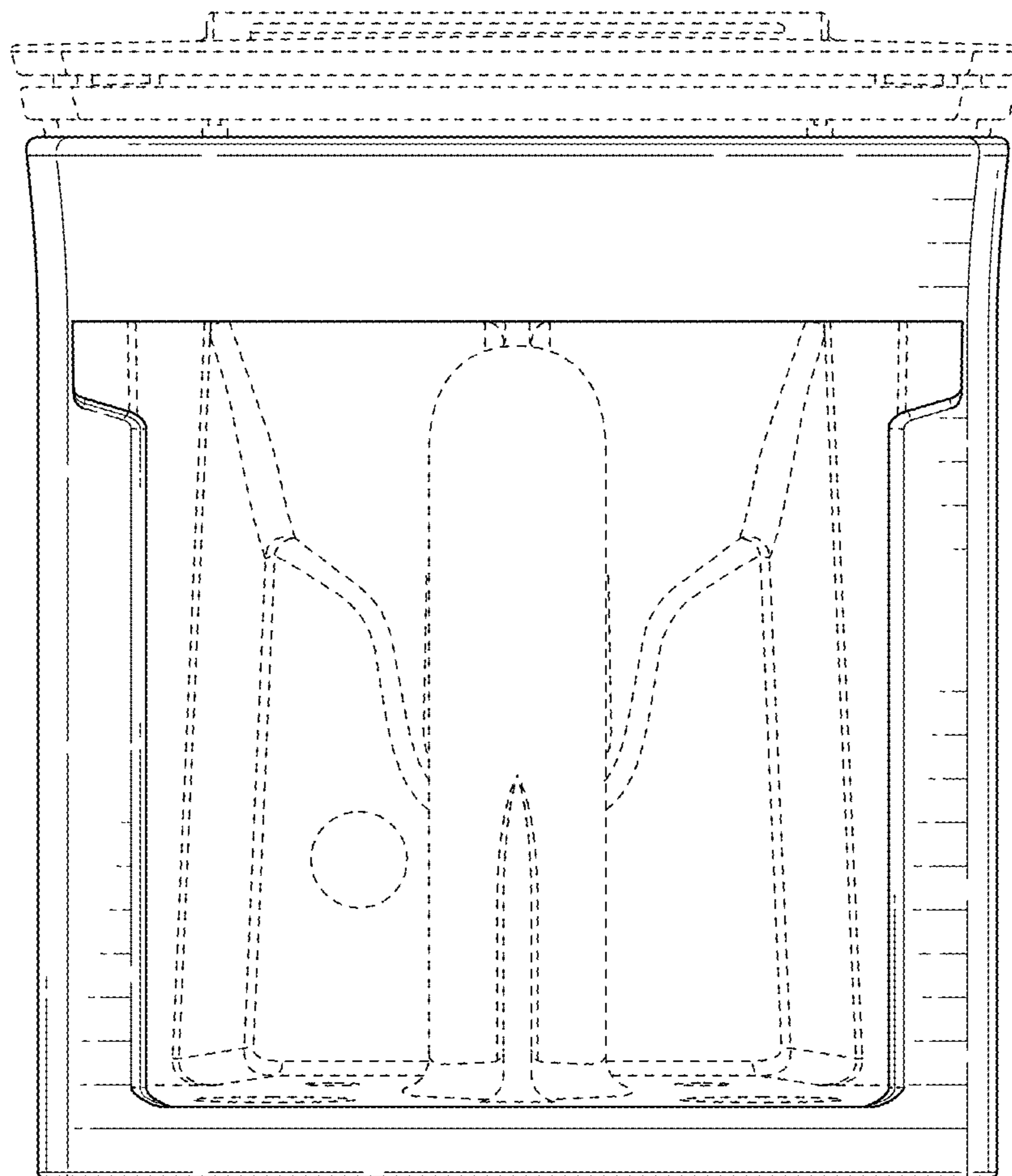


FIG. 3

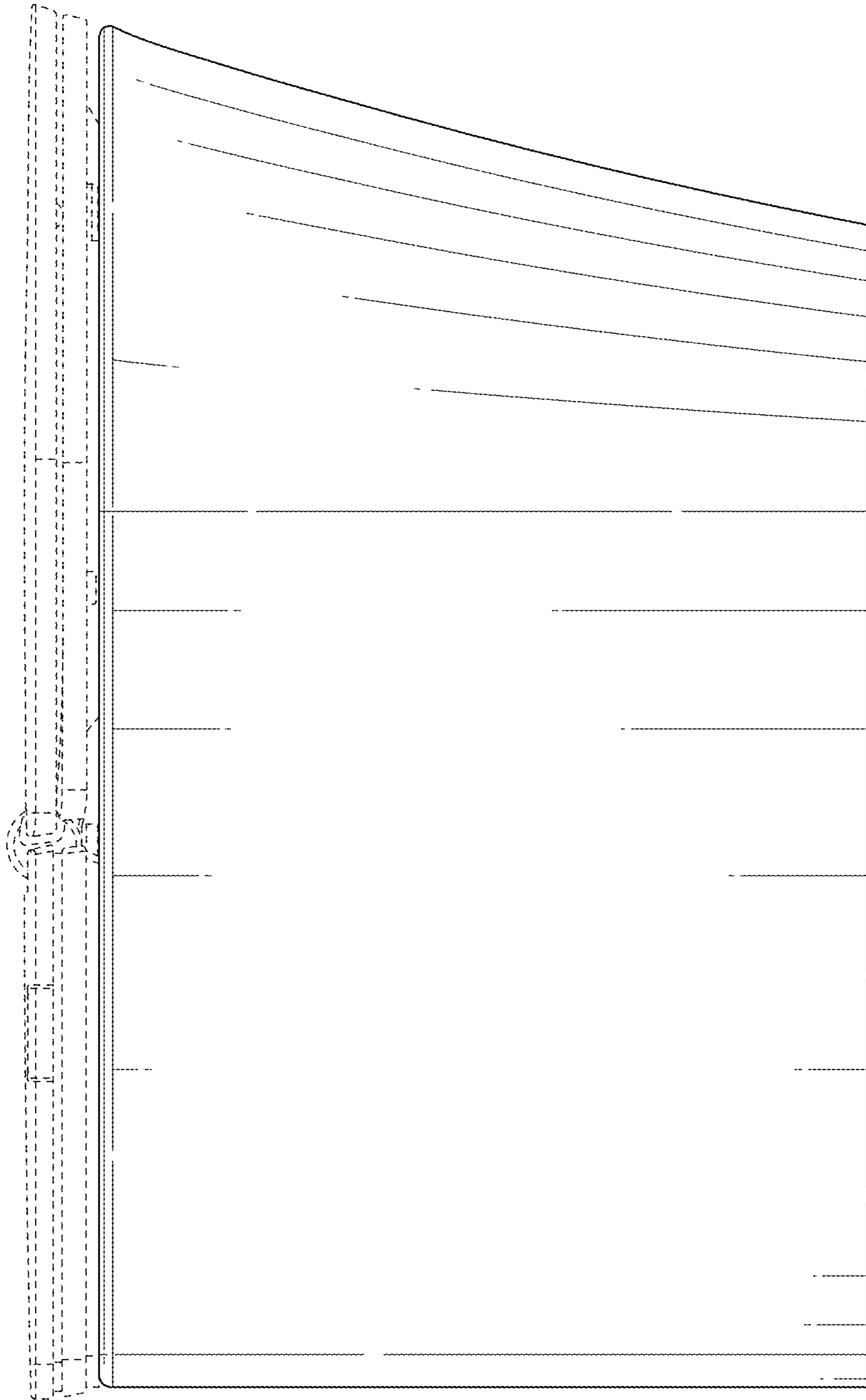


FIG. 4

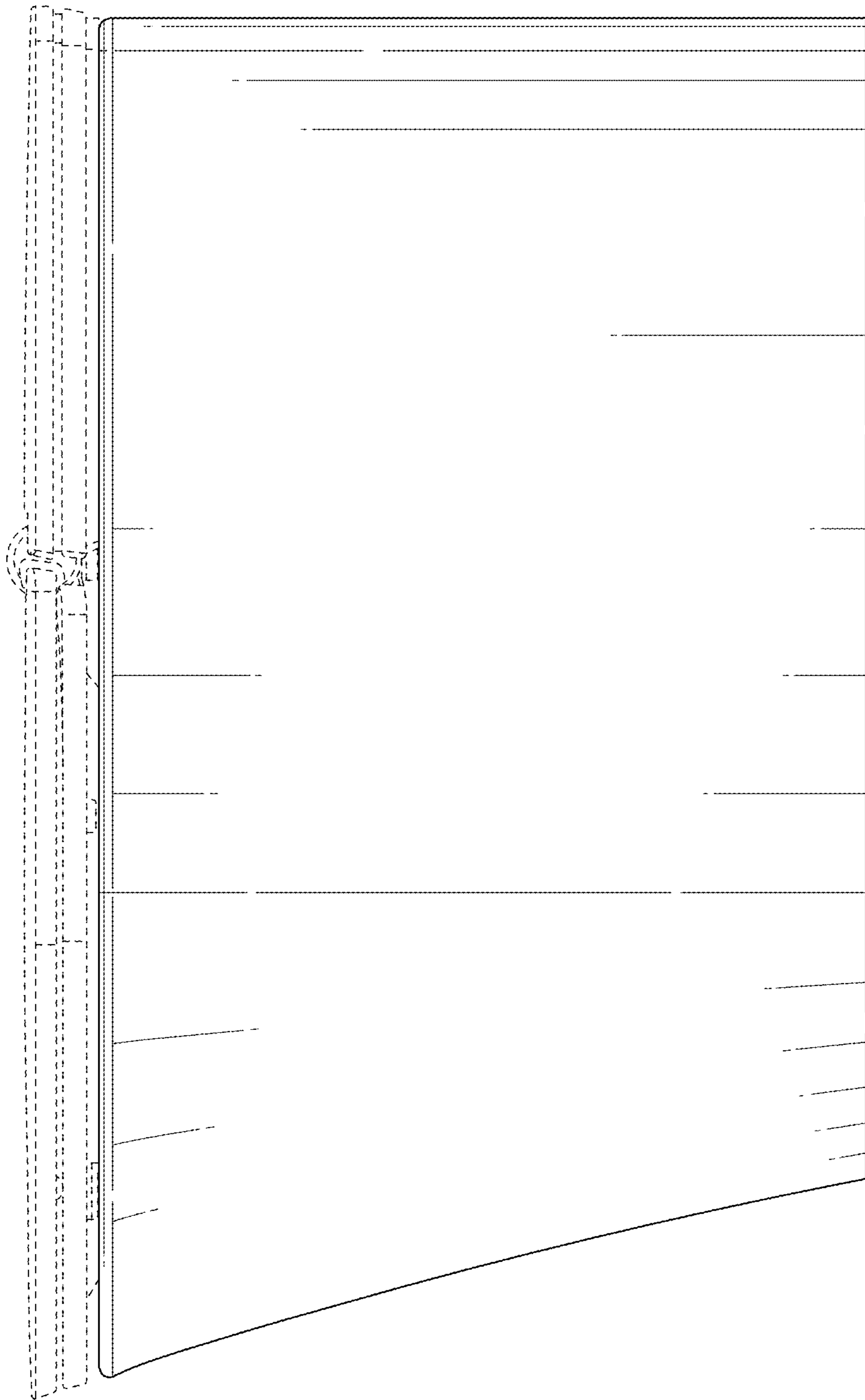


FIG. 5

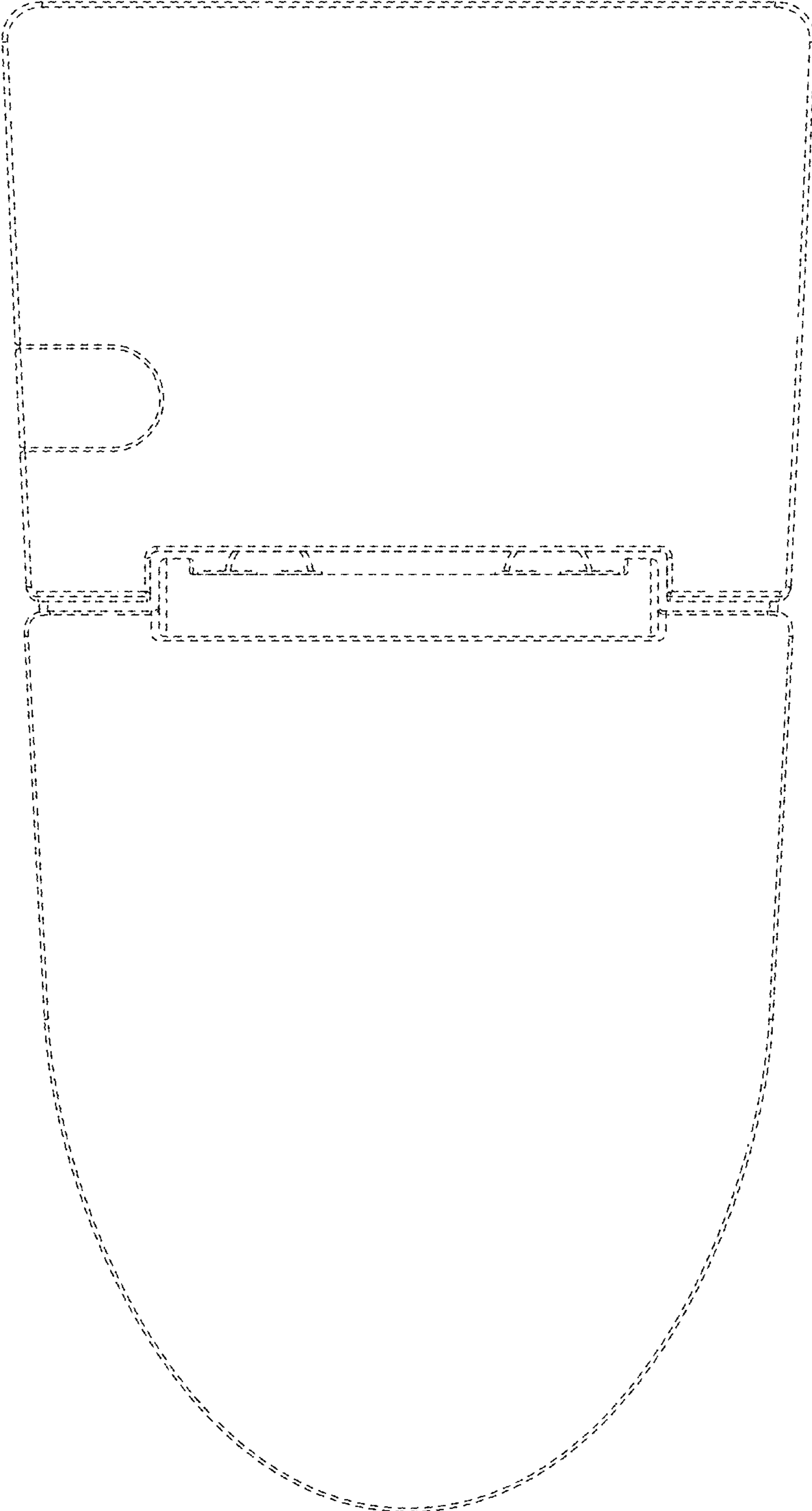


FIG. 6

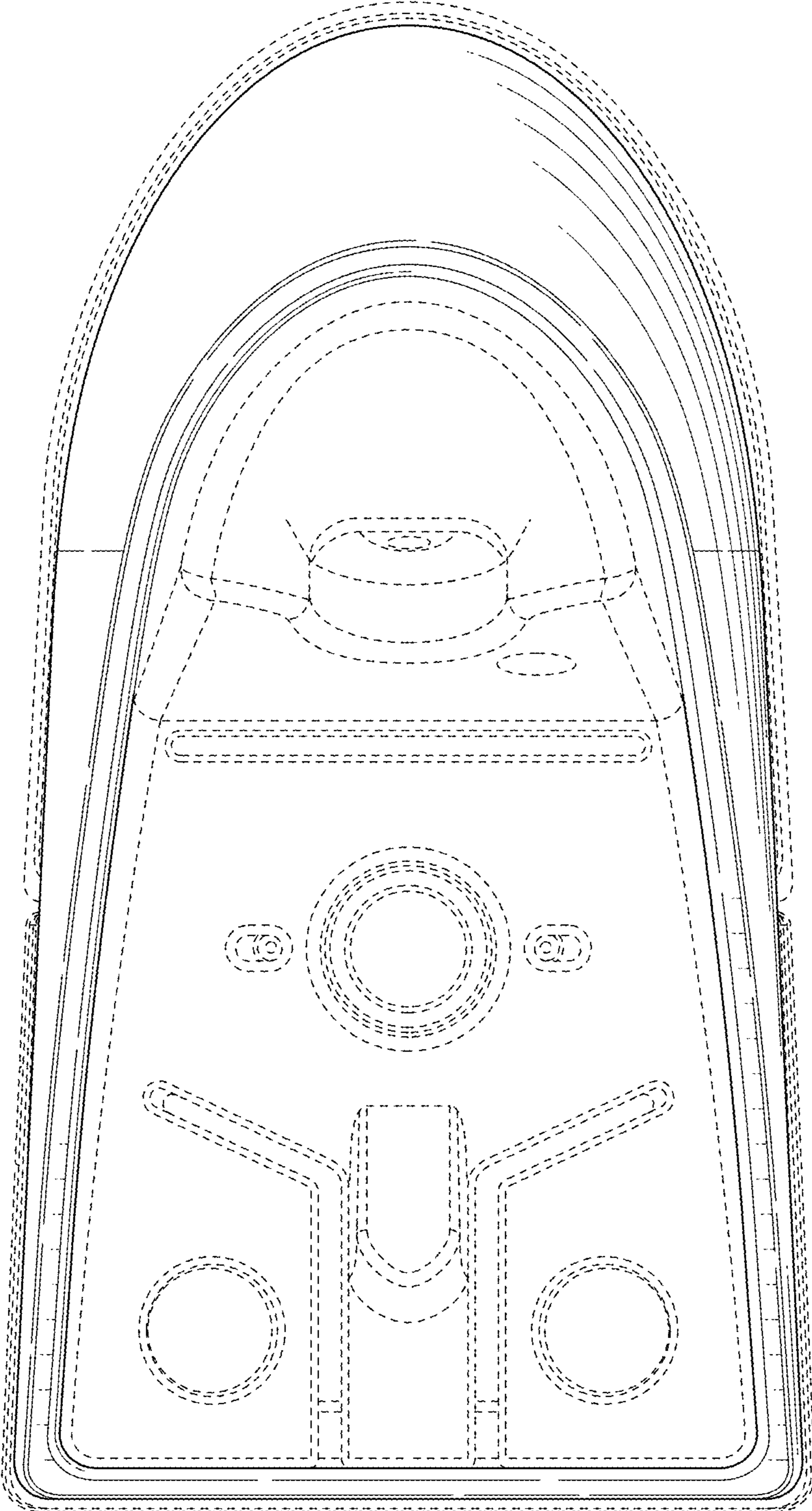


FIG. 7