



US00D950688S

(12) **United States Design Patent**
Hung

(10) **Patent No.:** **US D950,688 S**

(45) **Date of Patent:** **** May 3, 2022**

- (54) **GREASE COUPLER**
- (71) Applicant: **KING CHO MACHINERY INDUSTRIAL CO., LTD.**, Taichung (TW)
- (72) Inventor: **Fu Tien Hung**, Taichung (TW)
- (73) Assignee: **King Cho Machinery Industrial Co., Ltd.**, Taichung (TW)
- (**) Term: **15 Years**
- (21) Appl. No.: **29/761,936**
- (22) Filed: **Dec. 14, 2020**
- (51) **LOC (13) Cl.** **23-01**
- (52) **U.S. Cl.**
USPC **D23/262; D8/14.1**
- (58) **Field of Classification Search**
USPC D23/213, 236, 245, 266, 259, 262–263, D23/265; D8/14.1, 45, 382; D24/108, D24/112–113, 129, 135, 137–138, 141; 222/335, 470–474, 571; 184/28–29, 184/105.1–105.3; 285/305, 308, 285/316–318, 322; 137/515, 798
CPC F16N 23/00; F16L 11/00
See application file for complete search history.

(56) **References Cited**

U.S. PATENT DOCUMENTS

- 935,268 A * 9/1909 Levedahl F16K 31/52408
251/240
- 2,285,010 A * 6/1942 Bullock F16K 21/14
251/101
- 2,678,848 A * 5/1954 Grewe F16K 21/04
239/572
- 3,779,586 A * 12/1973 Rossiter F16L 37/407
285/308
- 3,885,713 A * 5/1975 Weitzel F16N 3/12
222/153.14
- D359,343 S * 6/1995 Dawson D23/262
- 8,720,487 B2 * 5/2014 Cooley F16L 37/34
137/614.05

- 8,955,544 B2 * 2/2015 Gurney F16N 21/02
137/539
 - 10,041,616 B2 * 8/2018 Danielson F16L 25/14
D854,665 S * 7/2019 Simon D23/262
 - 2012/0267890 A1 * 10/2012 Gurney F16L 37/138
285/308
 - 2018/0299065 A1 * 10/2018 Hung F16K 15/044
 - 2019/0120413 A1 * 4/2019 Verma F16L 37/121
- (Continued)

OTHER PUBLICATIONS

ODOMY Grease Gun Coupler; Amazon First Available Date; Dec. 31, 2019; Visited Online Nov. 23, 2021, https://www.amazon.com/ODOMY-Coupler-Release-Fitting-Fittings/dp/B083BYTV6Q/ref=sr_1_248?keywords=grease+fittings&pd_rd_r=0936ccd6-3bb7-4dab-a4b2-bc65b5472273&pd_rd_w=ChWH3&pd_rd_wg=plRdn&pf_rd_p=4fa0e97a-13a4-491b-a127-133a554b4da3&pf_rd_r=VEZNM3CSPCMBHYZC3W5&qid=1637689669&sr=8-248 (Year: 2019).*

(Continued)

Primary Examiner — Amy C Wierenga

(74) *Attorney, Agent, or Firm* — Rosenberg, Klein & Lee

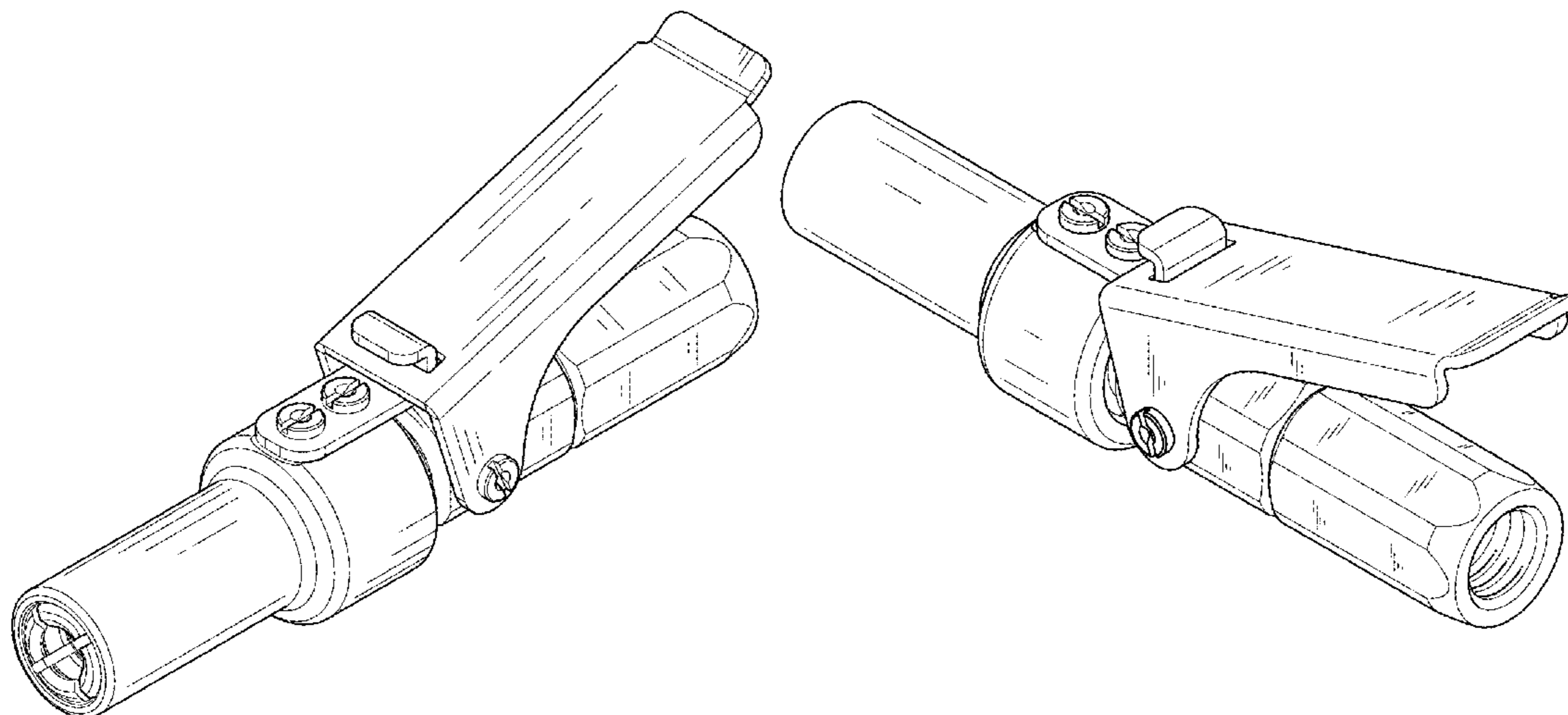
(57) **CLAIM**

The ornamental design for a grease coupler, as shown and described.

DESCRIPTION

FIG. 1 is a front perspective view of a grease coupler showing my new design;
FIG. 2 is a rear perspective view thereof;
FIG. 3 is a front elevation view thereof;
FIG. 4 is a rear elevation view thereof;
FIG. 5 is a left side elevation view thereof;
FIG. 6 is a right side elevation view thereof;
FIG. 7 is a top plan view thereof; and,
FIG. 8 is a bottom plan view thereof.
The dashed broken lines depict portions of the grease coupler that form no part of the claim.

1 Claim, 8 Drawing Sheets



(56)

References Cited

U.S. PATENT DOCUMENTS

2020/0041056 A1* 2/2020 Kuo F16L 37/121

OTHER PUBLICATIONS

Lumax LX-1403 Silver Heavy Duty Quick Release Grease Coupler; Amazon First Available Date; Aug. 15, 2017; Visited Online Nov. 23, 2021; https://www.amazon.com/dp/B0752V7GLX/ref=redir_mobile_desktop?_encoding=UTF8&aaxitk=b5d931ffc198d06e5fb7d0714f144bc7&hsa_cr_id=7615859060201&pd_rd_plhdr=t&pd_rd_r=f0ee3a37-8762-40ec-ade0-75c19ebcf76d&pd_rd_w=nAeHf&pd_rd_wg=7HUzD&ref=sbx_be_s_sparkle_mcd_asin_1_title (Year: 2017).*

LockNLube Grease Gun Coupler; Amazon First Available Date; Dec. 9, 2013; Visited Online Nov. 23, 2021; https://www.amazon.com/LockNLube-fittings-best-selling-Long-lasting-rebuildable/dp/B00H7LPKKU/ref=sr_1_12?keywords=grease+fittings&pd_rd_r=0936ccd6-3bb7-4dab-a4b2-bc65b5472273&pd_rd_w=ChWH3&pd_r_rd_p=4fa0e9713a4-491b-a127-133a554b4da3&pf_rd_p=1637689481&qid=1637689481&qsid=147-6145628-5825765&sr=8-12&sres=B087TX7MX3%2CB0020MRLV2%2CB07XF9MCNZ%2CB08KCT4M6M%2CB000XW0AZA%2CB08R3GJLM7%2CB08MF91YZV%2CB00H7LPKKU%2CB07X8ZRTBF%2CB07H9DJS3X%2CB086YK83CP%2CB0059HKXN8%2CB00 (Year: 2013).*

* cited by examiner

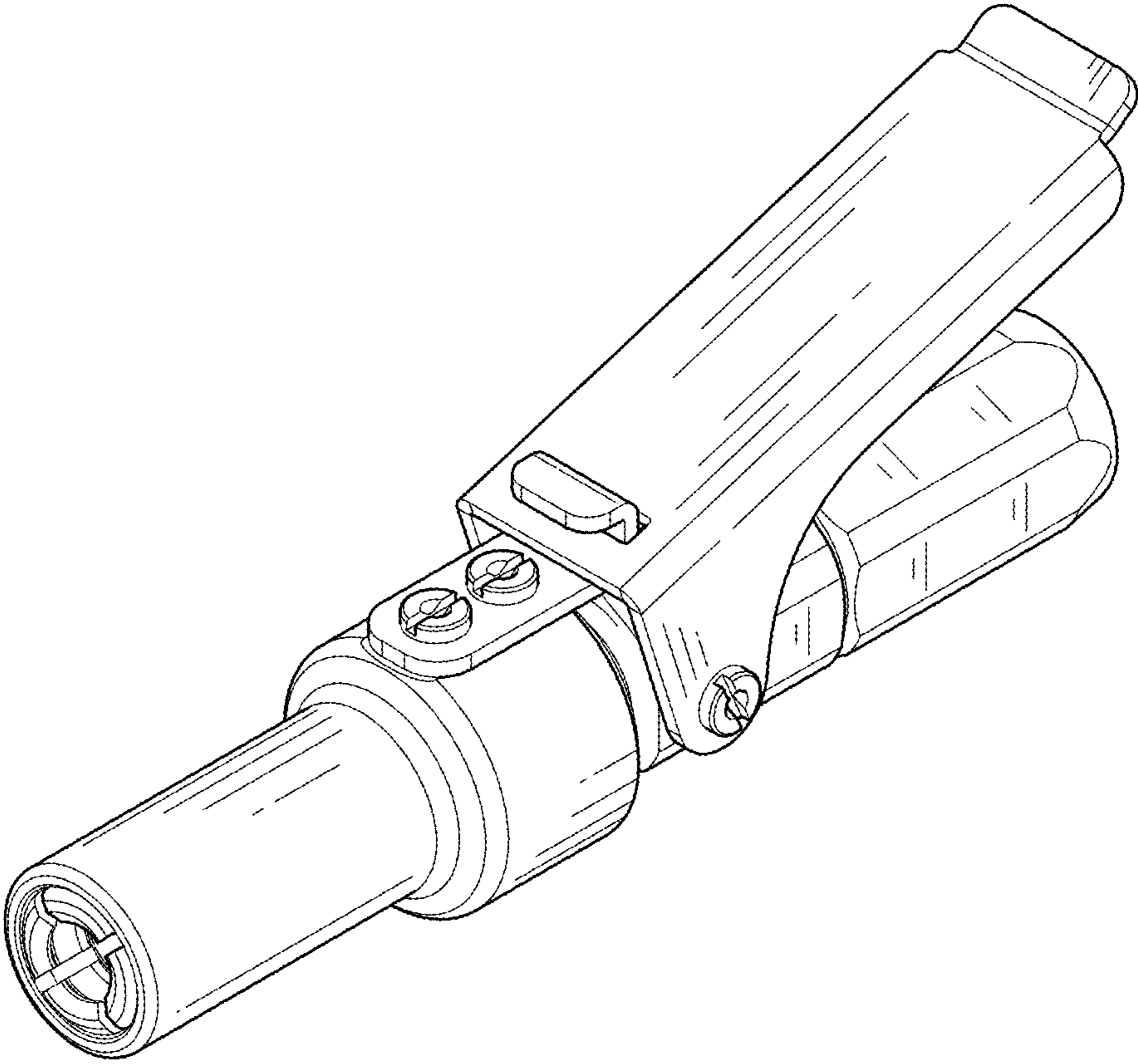


FIG.1

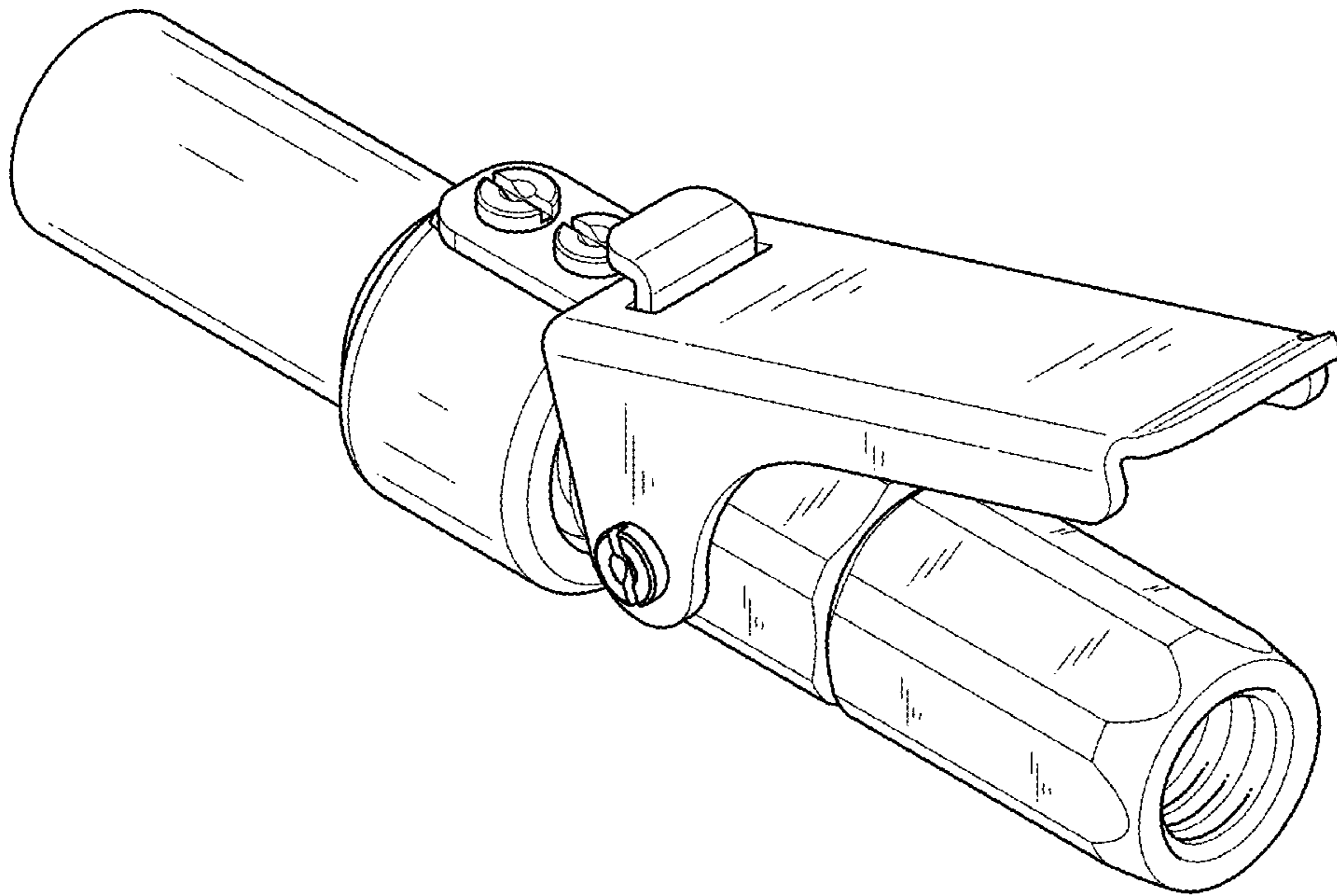


FIG.2

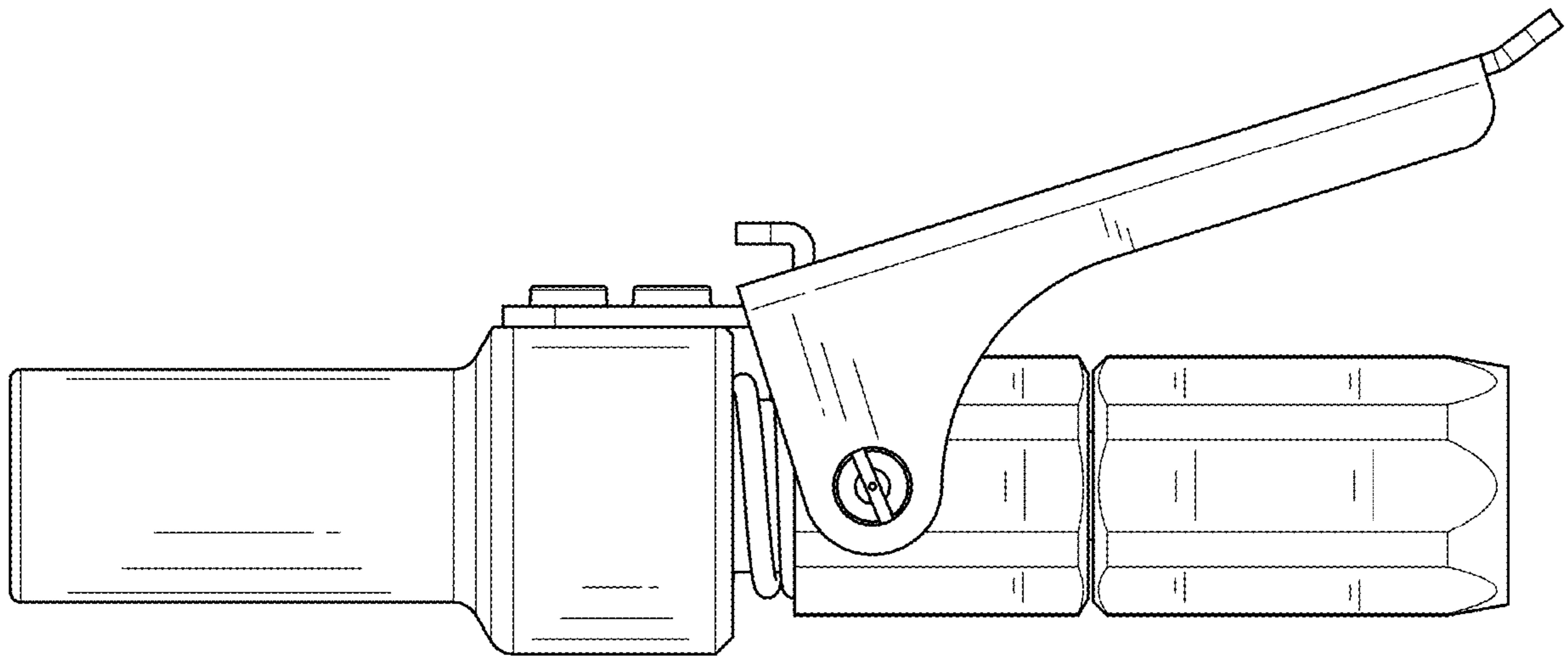


FIG.3

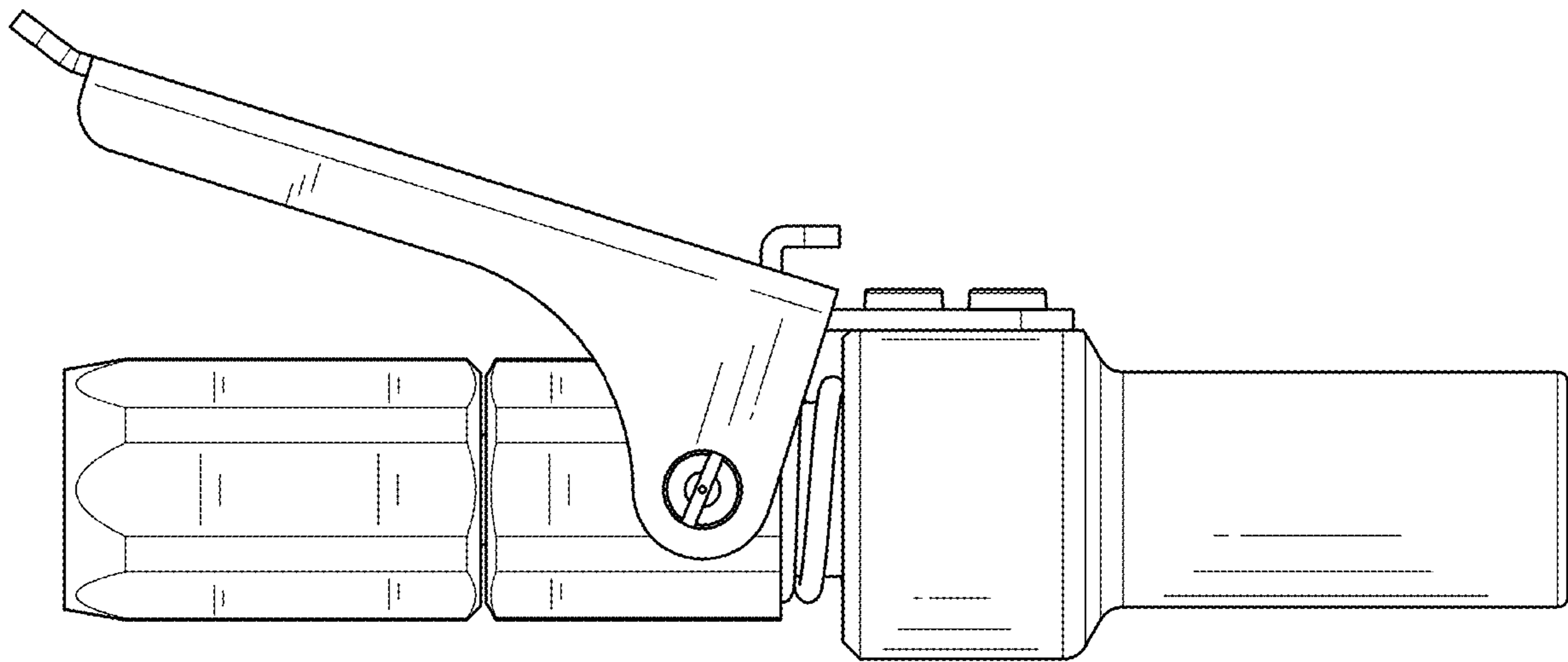


FIG.4

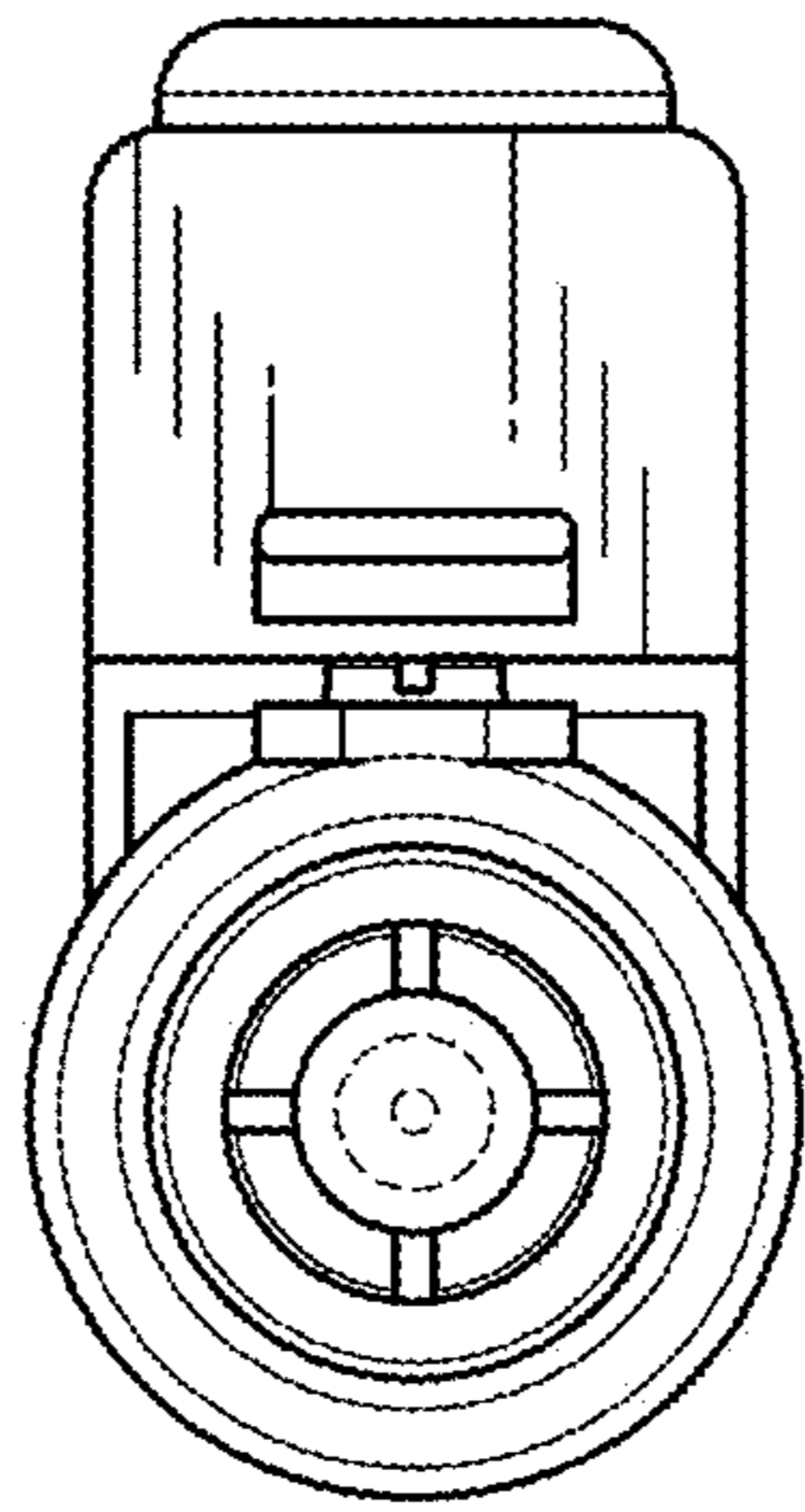


FIG.5

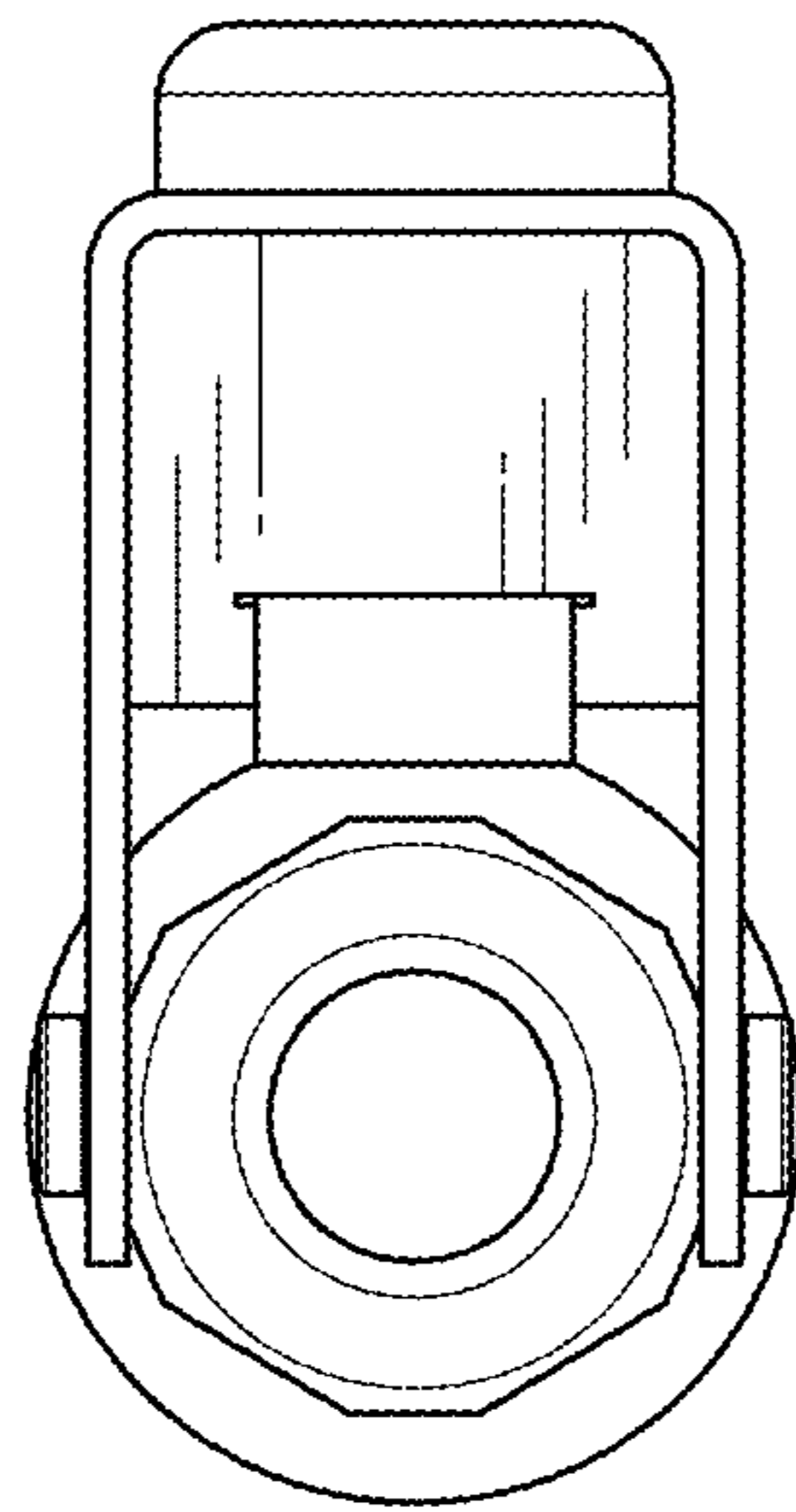


FIG.6

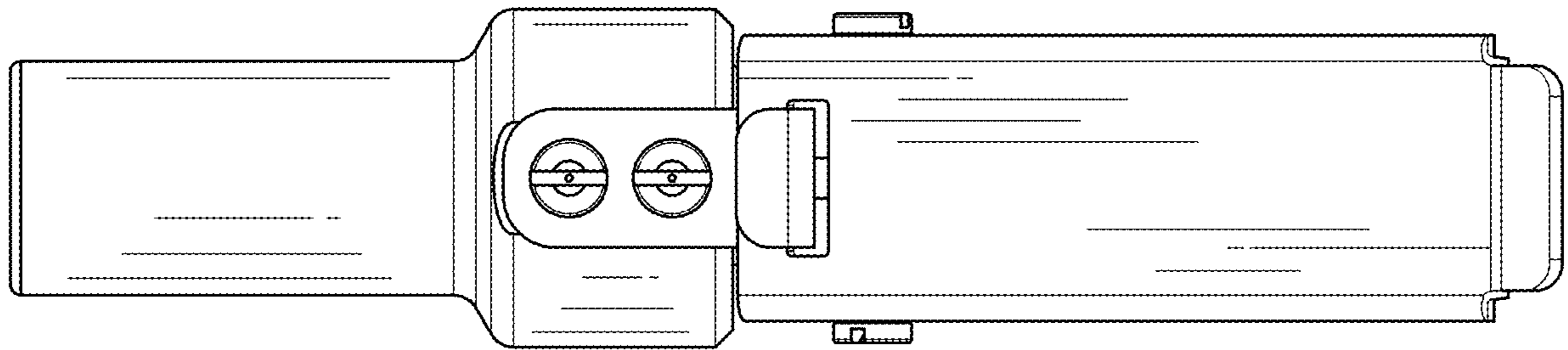


FIG.7

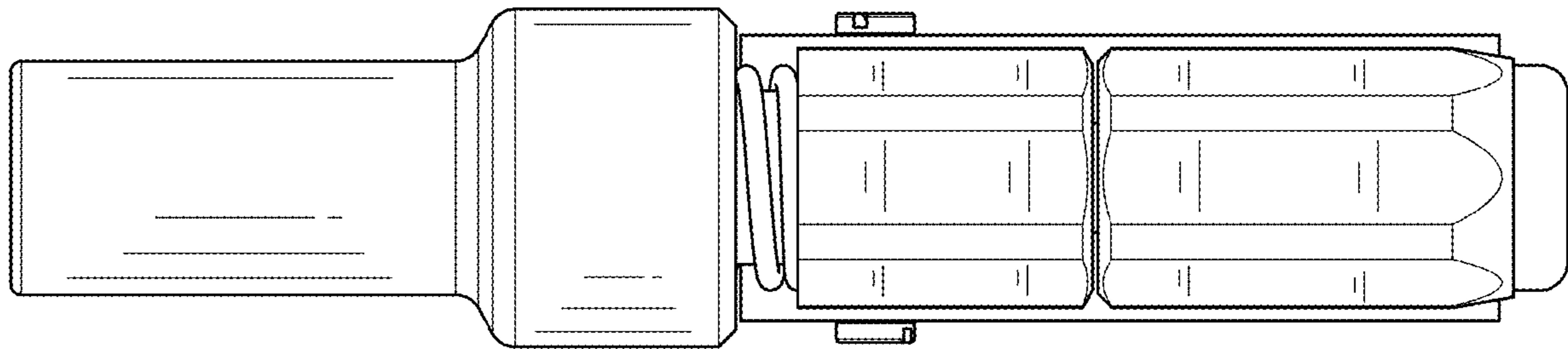


FIG.8