

US00D950687S

(12) **United States Design Patent**  
**Melaccio**

(10) **Patent No.:** **US D950,687 S**

(45) **Date of Patent:** **\*\* \*May 3, 2022**

(54) **END CAP FOR PLUG FILTER**

(71) Applicant: **Solidification Products International, Inc.**, Northford, CT (US)

(72) Inventor: **Paul Melaccio**, Clinton, CT (US)

(73) Assignee: **Solidification Products International, Inc.**, Northford, CT (US)

(\*) Notice: This patent is subject to a terminal disclaimer.

(\*\*) Term: **15 Years**

(21) Appl. No.: **29/728,566**

(22) Filed: **Mar. 19, 2020**

(51) **LOC (13) Cl.** ..... **23-01**

(52) **U.S. Cl.**  
USPC ..... **D23/260**

(58) **Field of Classification Search**

USPC ..... D8/382, 387, 394, 396-397, 352, 354;  
285/402, 86-93, 114-116, 179, 388, 52,  
285/291.1-291.2, 390-391, 410;  
D23/259-261, 209, 213, 245, 249, 262,  
D23/206, 233-235; 220/257.2; 210/435,  
210/439, 449, 459, 460, 475; 52/302.1;  
138/40-41, 89, 90, 96 R, 96 T; 454/367;  
411/531, 533; 251/143, 147-148, 153,  
251/208-209

(Continued)

(56) **References Cited**

U.S. PATENT DOCUMENTS

4,785,963 A \* 11/1988 Magley ..... B65D 55/022  
220/266  
5,184,747 A \* 2/1993 Nolte ..... B65D 39/082  
220/214

(Continued)

OTHER PUBLICATIONS

SPI Patented Petro-Plugs; Website Copyright Date 2022; Visited Online Feb. 4, 2022; <https://www.oilbarriers.com/spi-patented-petro-plugs> (Year: 2022).\*

Primary Examiner — Amy C Wierenga

(74) Attorney, Agent, or Firm — DeLio Peterson & Curcio LLC; Robert Curcio

(57) **CLAIM**

The ornamental design for an “end cap for plug filter,” as shown and described.

**DESCRIPTION**

FIG. 1 is a front elevational view of the “end cap for plug filter” design according to our invention;

FIG. 2 is a back elevational view of the “end cap for plug filter” shown in FIG. 1;

FIG. 3 is a top view of the “end cap for plug filter” shown in FIG. 1;

FIG. 4 is a bottom view of the “end cap for plug filter” shown in FIG. 1;

FIG. 5 is a right elevational view of the “end cap for plug filter” shown in FIG. 1;

FIG. 6 is a left elevational view of the “end cap for plug filter” shown in FIG. 1;

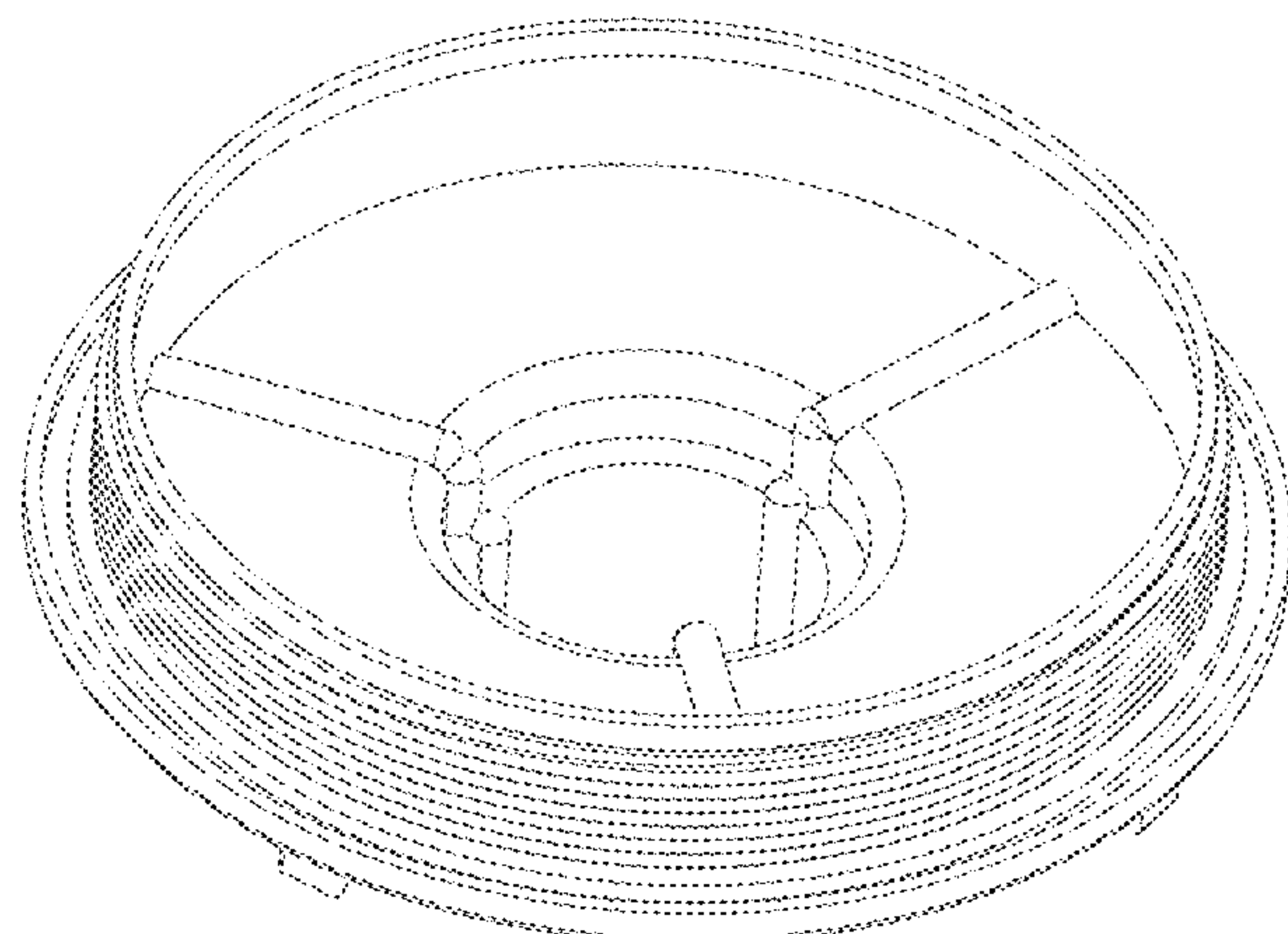
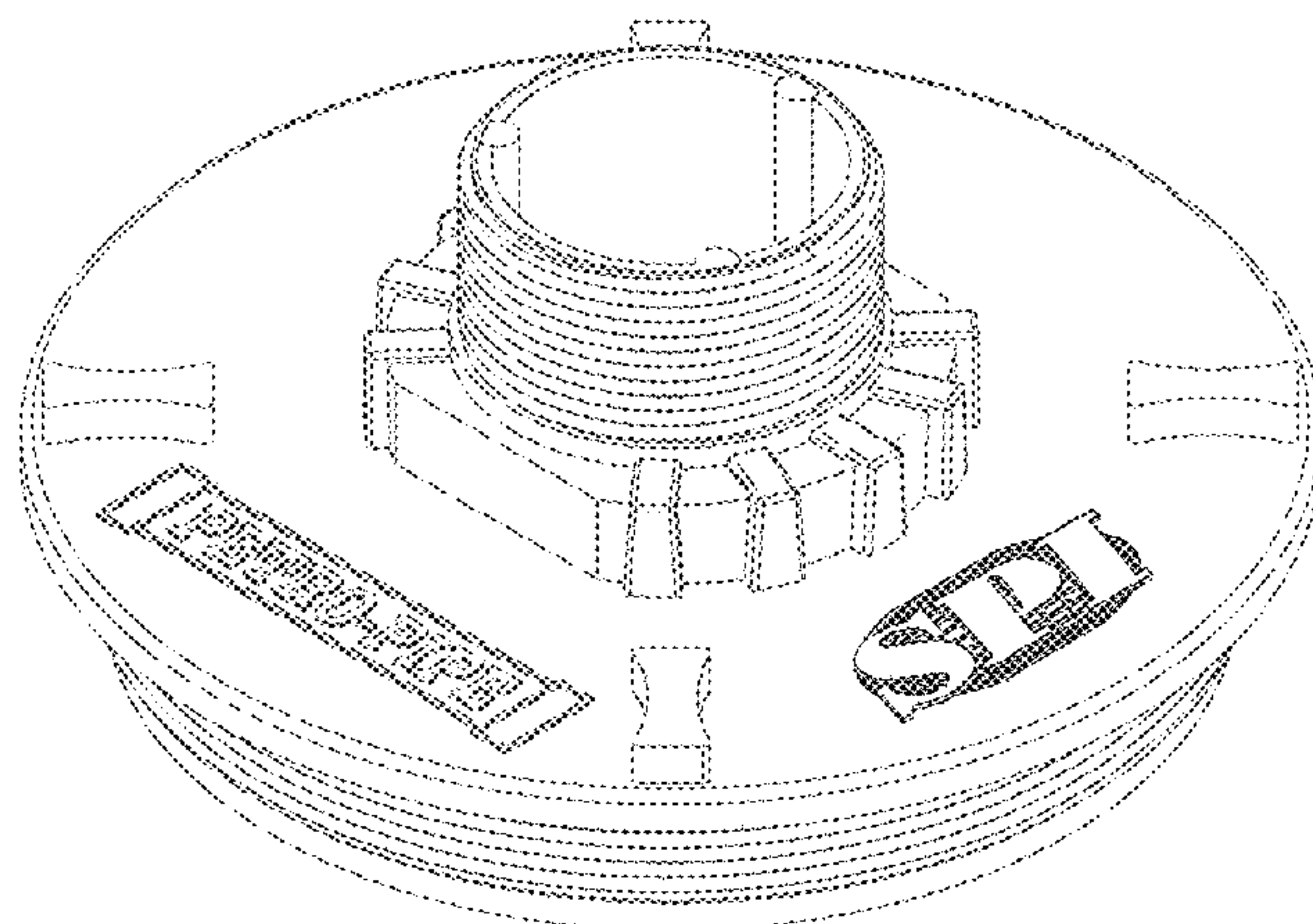
FIG. 7 is a top perspective view of the “end cap for plug filter” shown in FIG. 1; and,

FIG. 8 is a bottom perspective view of the “end cap for plug filter” shown in FIG. 1.

The phrase “PETRO-PIPE” shown in FIGS. 3 and 7 forming part of the claimed design is a trademark pending before the United States Patent and Trademark Office as application Ser. No. 97/178,178, of SPI Brands, LLC.

The logo including the letters “SPI” shown in FIGS. 3 and 7 forming part of the claimed design is a trademark pending before the United States Patent and Trademark Office as application Ser. No. 97/178,261, of SPI Brands, LLC.

**1 Claim, 4 Drawing Sheets**



(58) **Field of Classification Search**

CPC ..... E21B 17/117; B65D 51/18; B65D 47/12;  
B01D 2201/04; B01D 35/04; E03F 5/14;  
F24F 13/082

See application file for complete search history.

(56) **References Cited**

U.S. PATENT DOCUMENTS

D344,242 S \* 2/1994 Weise ..... D10/80  
D379,851 S 6/1997 Mathison  
6,360,908 B1 \* 3/2002 Kline ..... B65D 51/18  
220/257.1  
6,968,968 B2 \* 11/2005 Buckley ..... B65D 39/08  
206/459.1  
D646,363 S 10/2011 Bertram  
D676,943 S 2/2013 Kluss et al.  
D709,369 S \* 7/2014 van de Klippe ..... D9/440  
D711,511 S \* 8/2014 Van Der Merwe ..... D23/249  
D724,699 S \* 3/2015 Wyne ..... D23/259  
D739,493 S \* 9/2015 Wyne ..... D23/200  
D762,825 S \* 8/2016 Walker ..... D23/259  
D777,878 S \* 1/2017 Morris ..... D23/209  
D793,525 S \* 8/2017 Morris ..... D23/209  
D836,755 S \* 12/2018 Dale ..... D23/259  
D849,899 S 5/2019 Bryant et al.  
10,703,547 B2 \* 7/2020 Filho ..... B65D 51/18  
2008/0011376 A1 \* 1/2008 Belford ..... F16L 47/28  
138/89  
2015/0369411 A1 \* 12/2015 Kieper ..... F16L 29/002  
285/119

\* cited by examiner

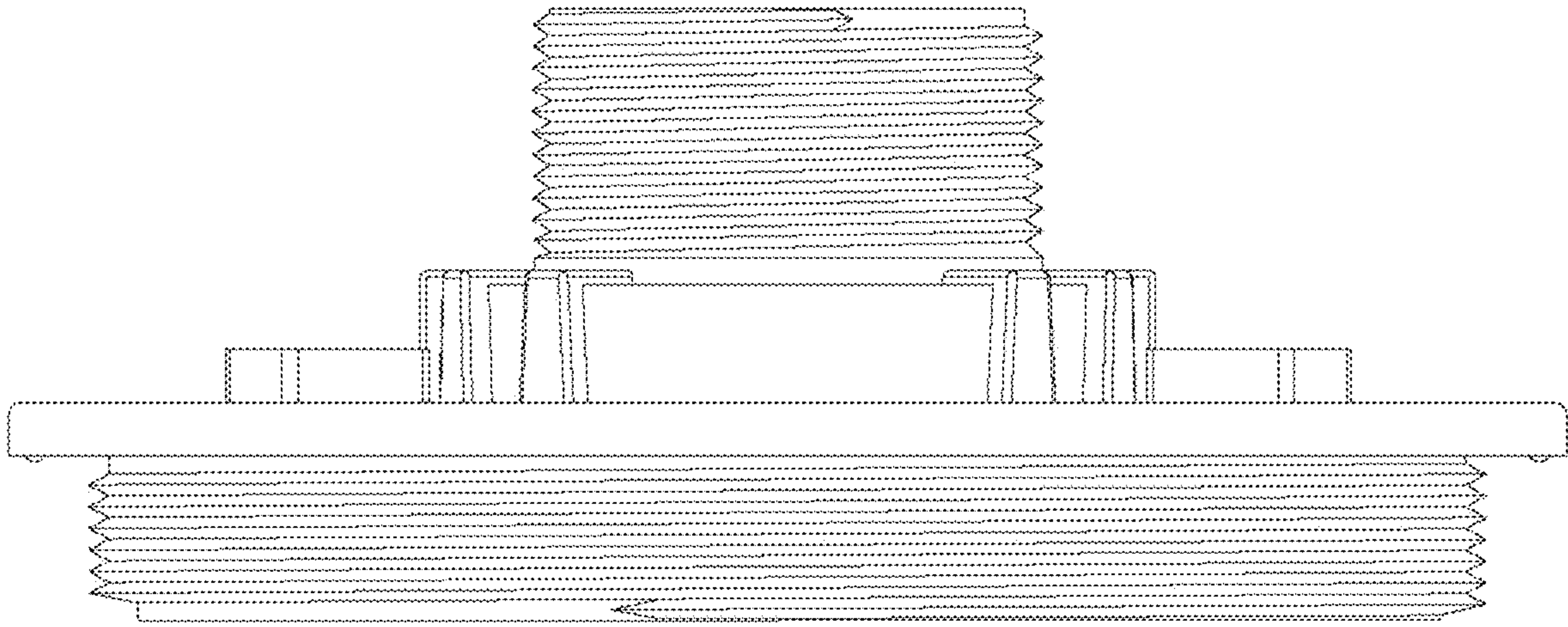


FIG. 1

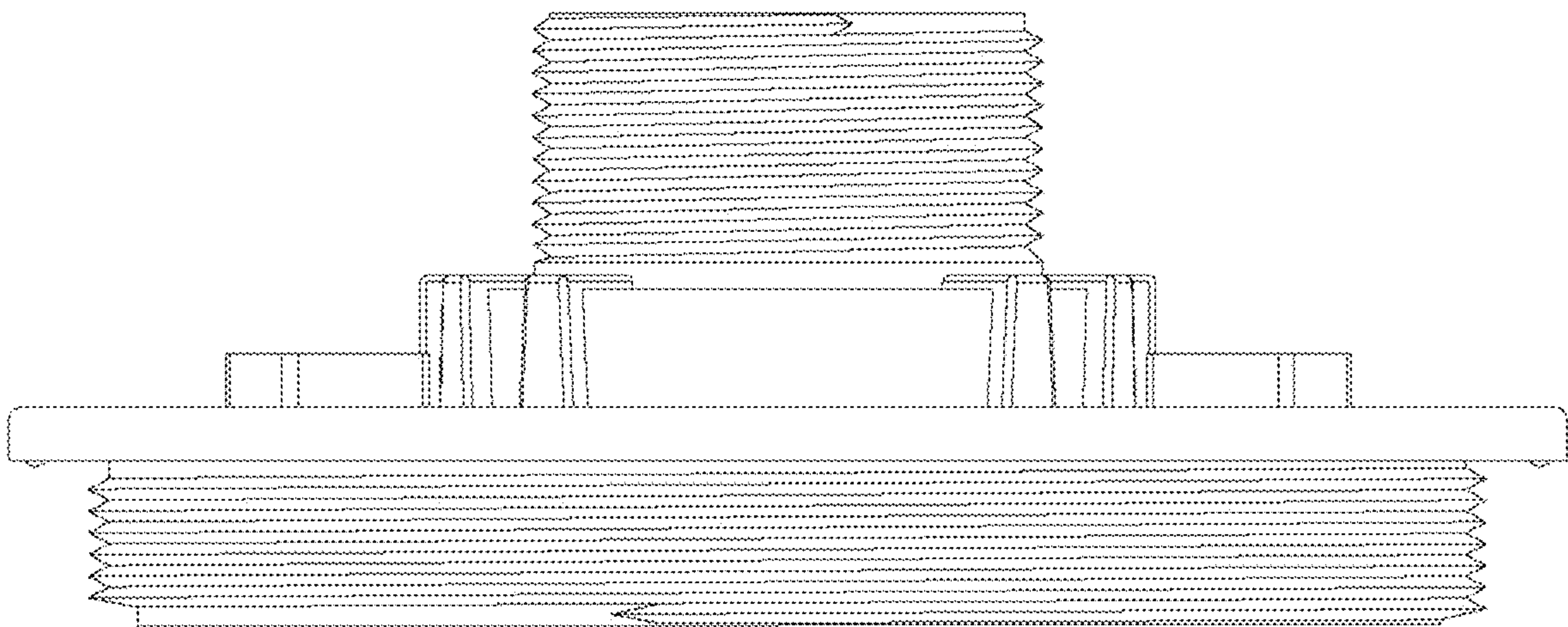


FIG. 2



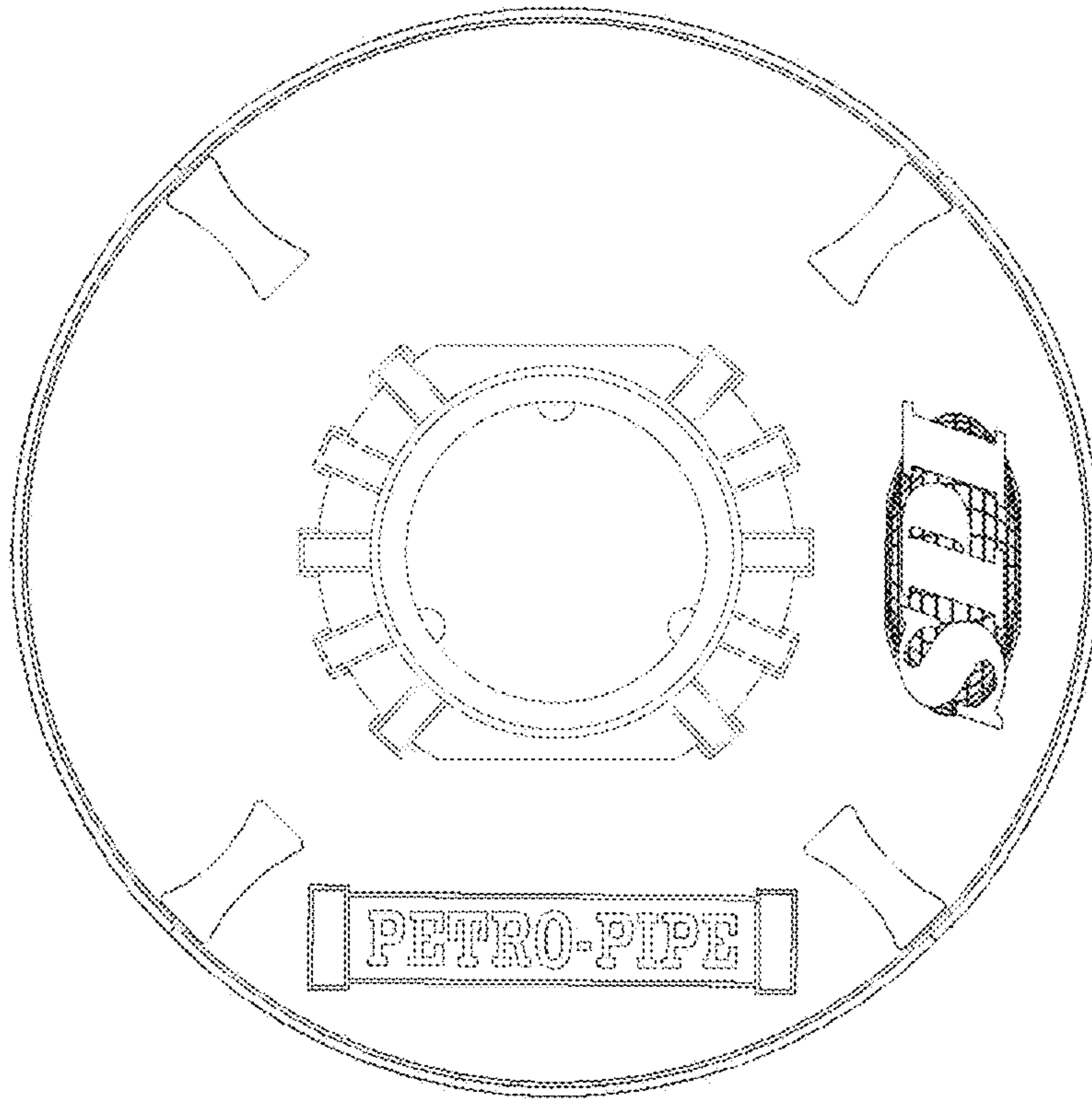


FIG. 3

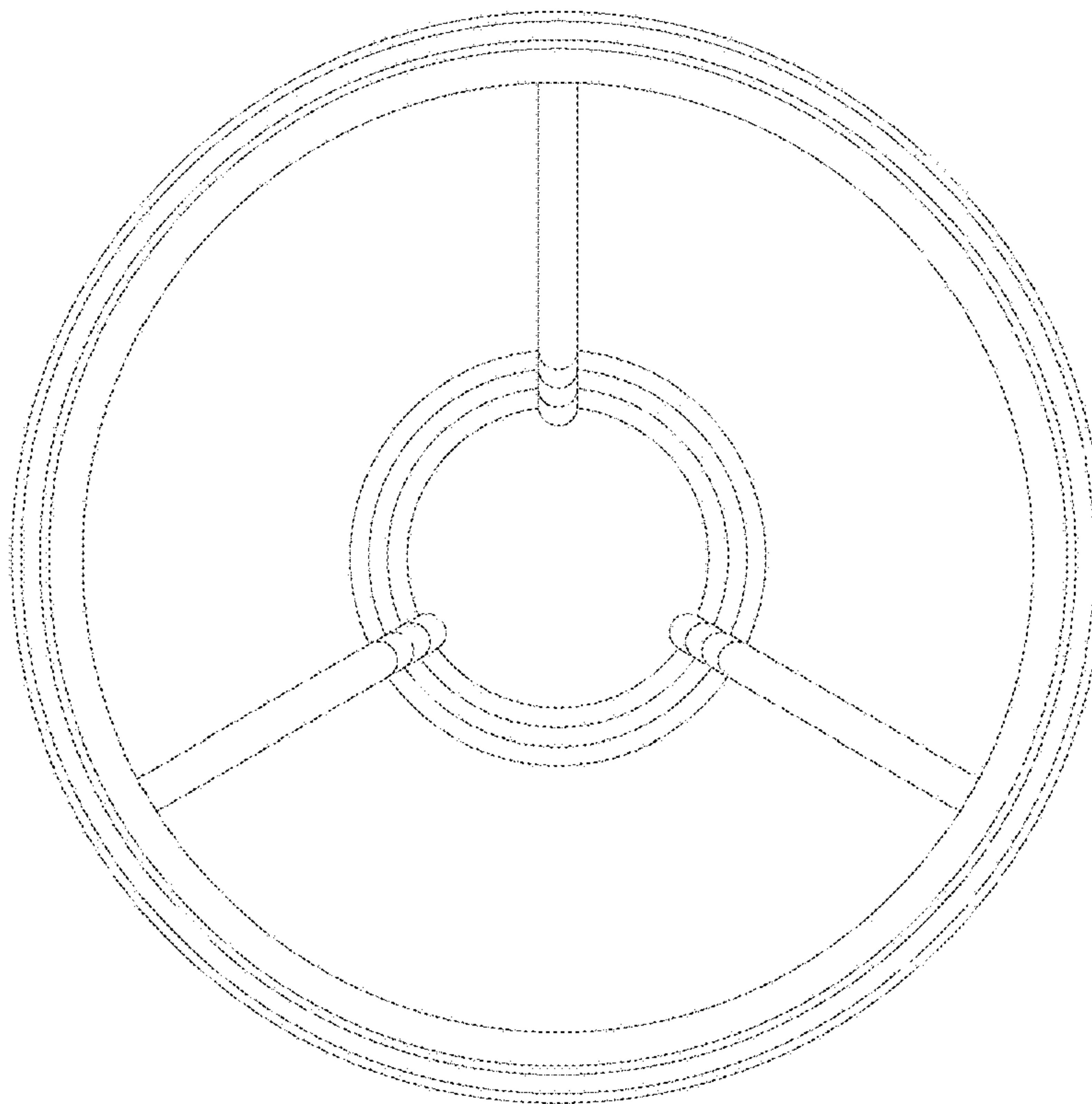


FIG. 4

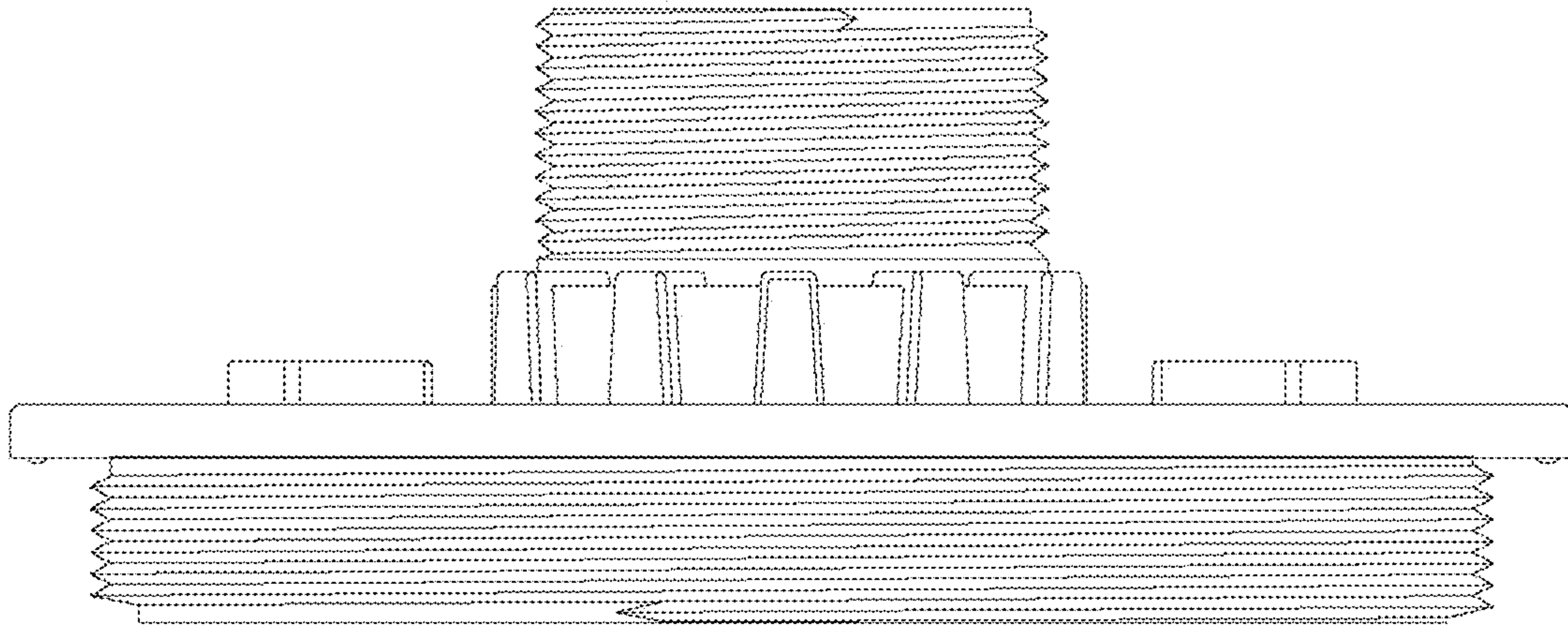


FIG. 5

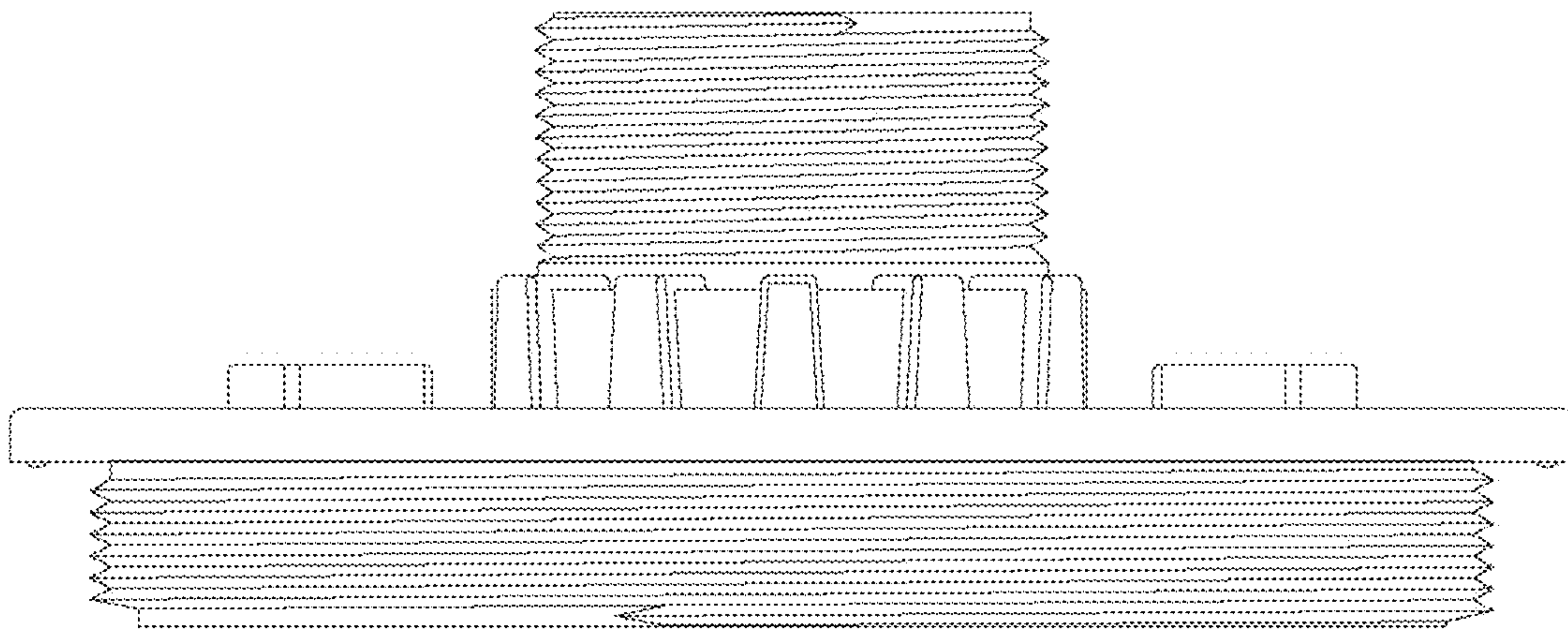


FIG. 6

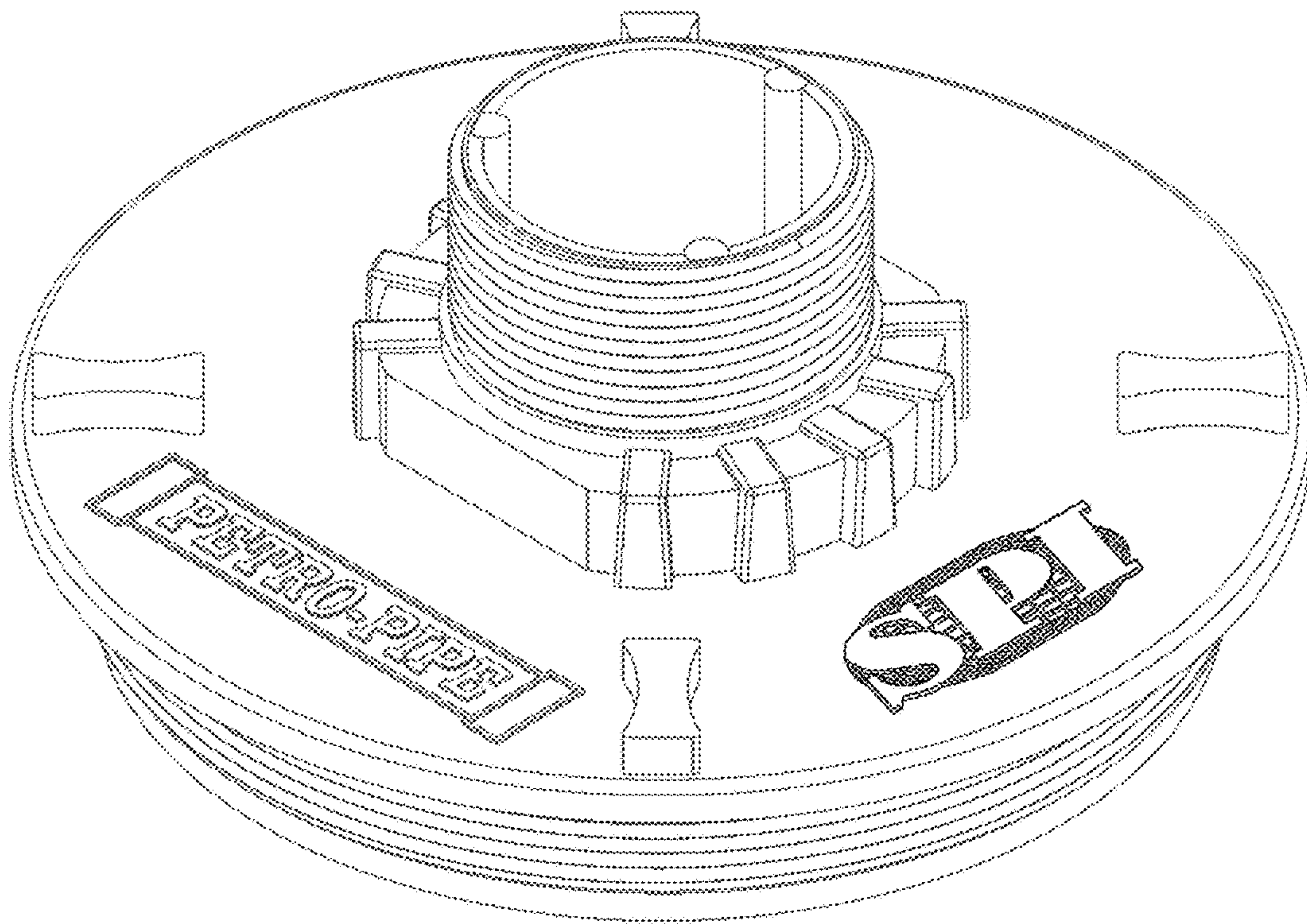


FIG. 7

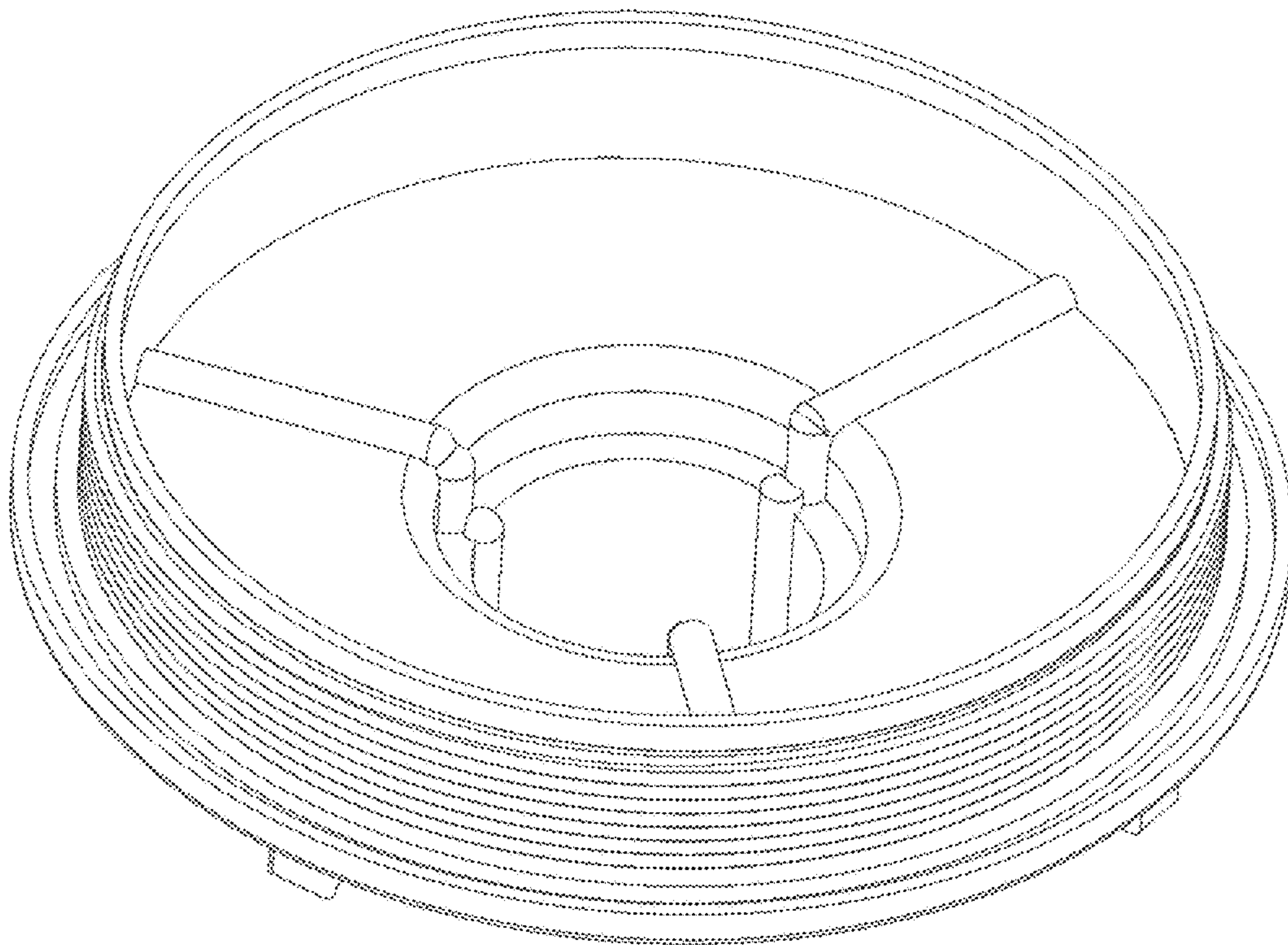


FIG. 8