



US00D950686S

(12) **United States Design Patent**  
**Chandler**

(10) **Patent No.:** **US D950,686 S**

(45) **Date of Patent:** **\*\* May 3, 2022**

(54) **BACKFLOW PREVENTER**

(71) Applicant: **Vista Water Group, LLC**, Ashland, OH (US)

(72) Inventor: **James W. Chandler**, Ashland, OH (US)

(73) Assignee: **VISTA WATER GROUP, LLC**, Ashland, OH (US)

(\*\*) Term: **15 Years**

(21) Appl. No.: **29/762,170**

(22) Filed: **Dec. 15, 2020**

(51) **LOC (13) Cl.** ..... **23-01**

(52) **U.S. Cl.**  
USPC ..... **D23/259**; D23/233; D24/129; D24/176

(58) **Field of Classification Search**  
USPC ..... D23/213, 226, 245, 259, 262, 266, 206, D23/233, 263, 265, 234-237, 258; D24/108, 112-113, 129, 133, 135, D24/137-138, 141, 127, 176-177, 180, D24/182; 285/239, 305, 308, 316-318, 285/322, 83, 275, 277, 148.14, 148.21, 285/268, 148.2, 179, 53, 148.19, 148.22, 285/235; 137/614.04, 149.6, 515, 798; D8/14.1, 45, 382; D13/154-156  
CPC ..... F16L 11/00; F16L 37/0985; F16L 33/30; F16L 55/1157; F16L 37/32; F16K 27/0209; F16K 31/12  
See application file for complete search history.

(56) **References Cited**

**U.S. PATENT DOCUMENTS**

D273,804 S \* 5/1984 Fueloep ..... D13/102  
D360,017 S \* 7/1995 Lopez ..... D23/259  
D602,565 S \* 10/2009 Nimberger ..... D23/233  
D675,715 S \* 2/2013 McKenzie ..... D23/266  
D702,542 S \* 4/2014 Smith ..... H02G 3/06  
D8/396  
D754,303 S \* 4/2016 Smith ..... D23/259

D782,621 S \* 3/2017 Smith ..... D23/259  
9,777,850 B1 \* 10/2017 Handley ..... F16K 27/0209  
D843,952 S \* 3/2019 Smith ..... D13/155  
D845,251 S \* 4/2019 Smith ..... D13/155  
D871,544 S \* 12/2019 Sisk ..... D23/237  
D872,233 S \* 1/2020 Sisk ..... D23/237

(Continued)

**OTHER PUBLICATIONS**

VistaCheck Dual Check Backflow Preventers; Vista Water Group; Website Copyright Date 2021; Visited Online Dec. 14, 2021; <https://vistawatergroup.com/vistacheck-dual-check-backflow-preventers> (Year: 2021).\*

(Continued)

*Primary Examiner* — Amy C Wierenga

(74) *Attorney, Agent, or Firm* — Ralph E. Jocke; Walker & Jocke

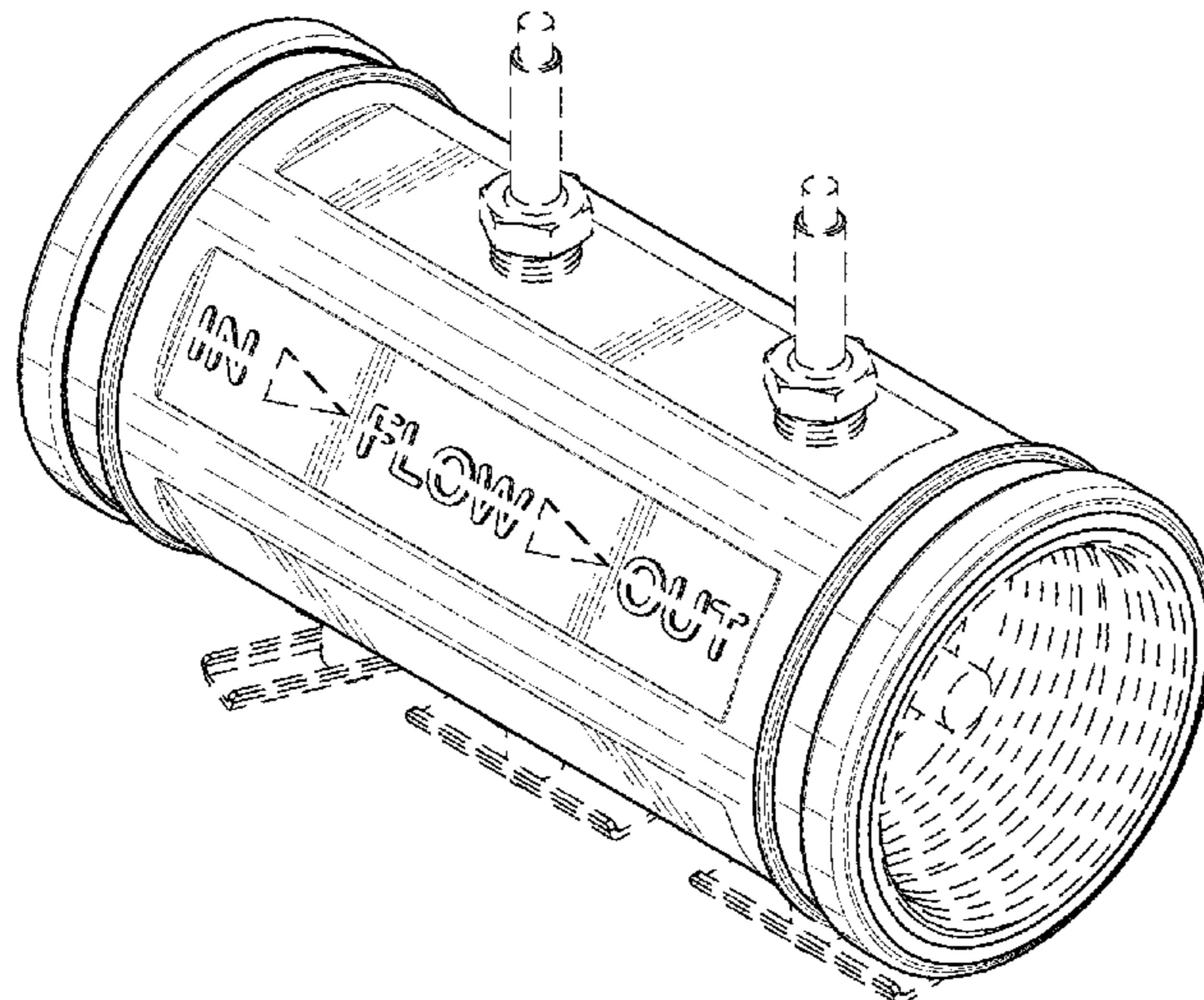
(57) **CLAIM**

The ornamental design for a backflow preventer, as shown and described.

**DESCRIPTION**

FIG. 1 is a top left front perspective view of the backflow preventer showing my new design;  
FIG. 2 is a bottom left front perspective view thereof.  
FIG. 3 is a bottom right front view thereof.  
FIG. 4 is a top right front view thereof  
FIG. 5 is a left side view thereof.  
FIG. 6 is a top view thereof.  
FIG. 7 is a right side view thereof.  
FIG. 8 is a bottom view thereof.  
FIG. 9 is a front view thereof; and,  
FIG. 10 is a back view thereof.  
The broken lines shown in the drawings represent portions of the backflow preventer that form no part of the claimed design.

**1 Claim, 7 Drawing Sheets**



(56)

**References Cited**

U.S. PATENT DOCUMENTS

2006/0026860 A1\* 2/2006 Blann ..... E03C 1/184  
34/140  
2019/0242777 A1\* 8/2019 Young ..... F16K 17/30  
2019/0293330 A1\* 9/2019 Danielson ..... F25B 45/00

OTHER PUBLICATIONS

BFV-SE Saliva Ejector Backflow Valve; Henry Schein Dental  
Website Copyright Date 2021; Visited Online Dec. 14, 2021;  
[https://www.henryschein.com/us-en/dental/p/evacuation-products/  
evacuation-accessories/backflow-valve-f-saliva/7050049](https://www.henryschein.com/us-en/dental/p/evacuation-products/evacuation-accessories/backflow-valve-f-saliva/7050049) (Year: 2021).\*

\* cited by examiner

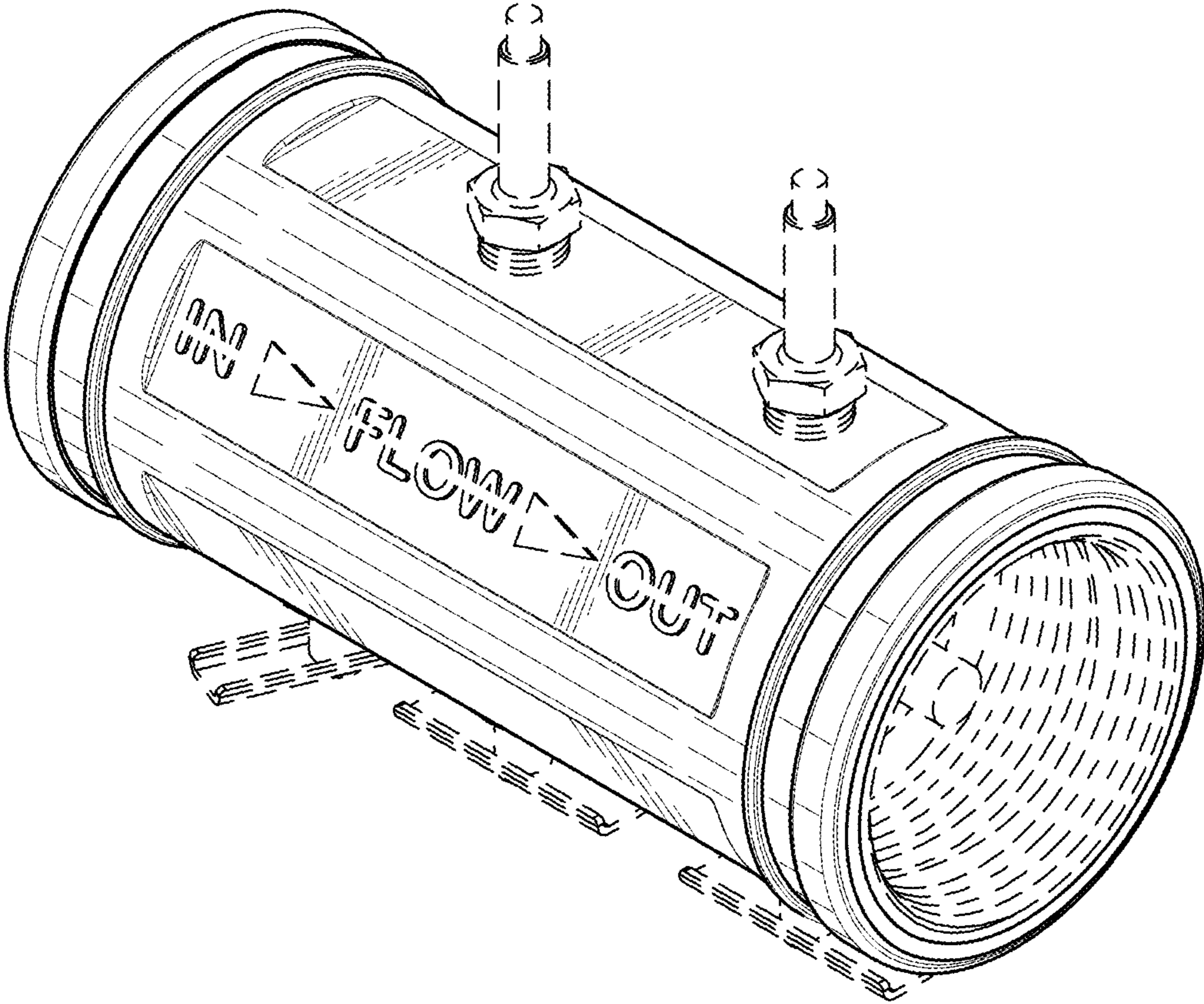


FIG. 1

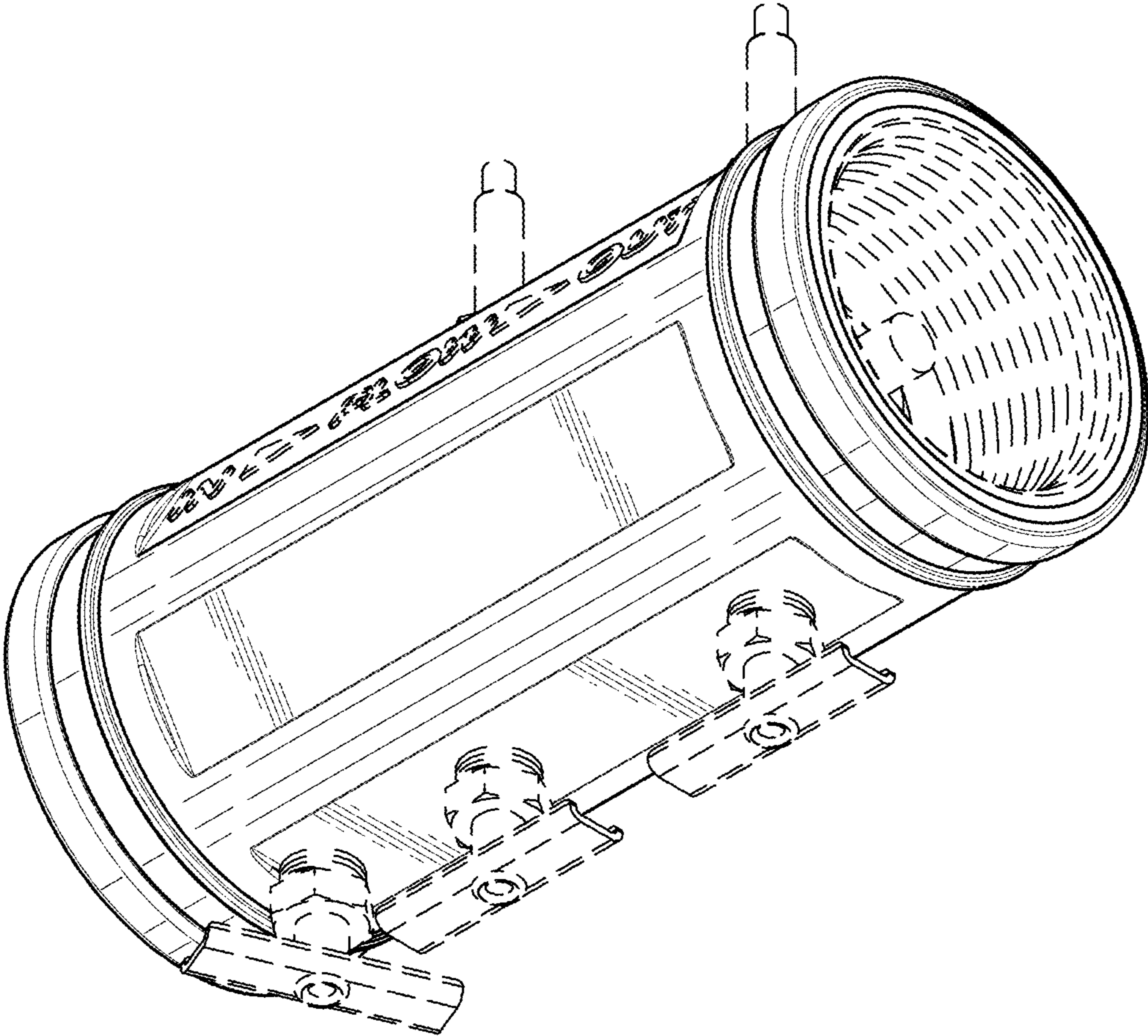
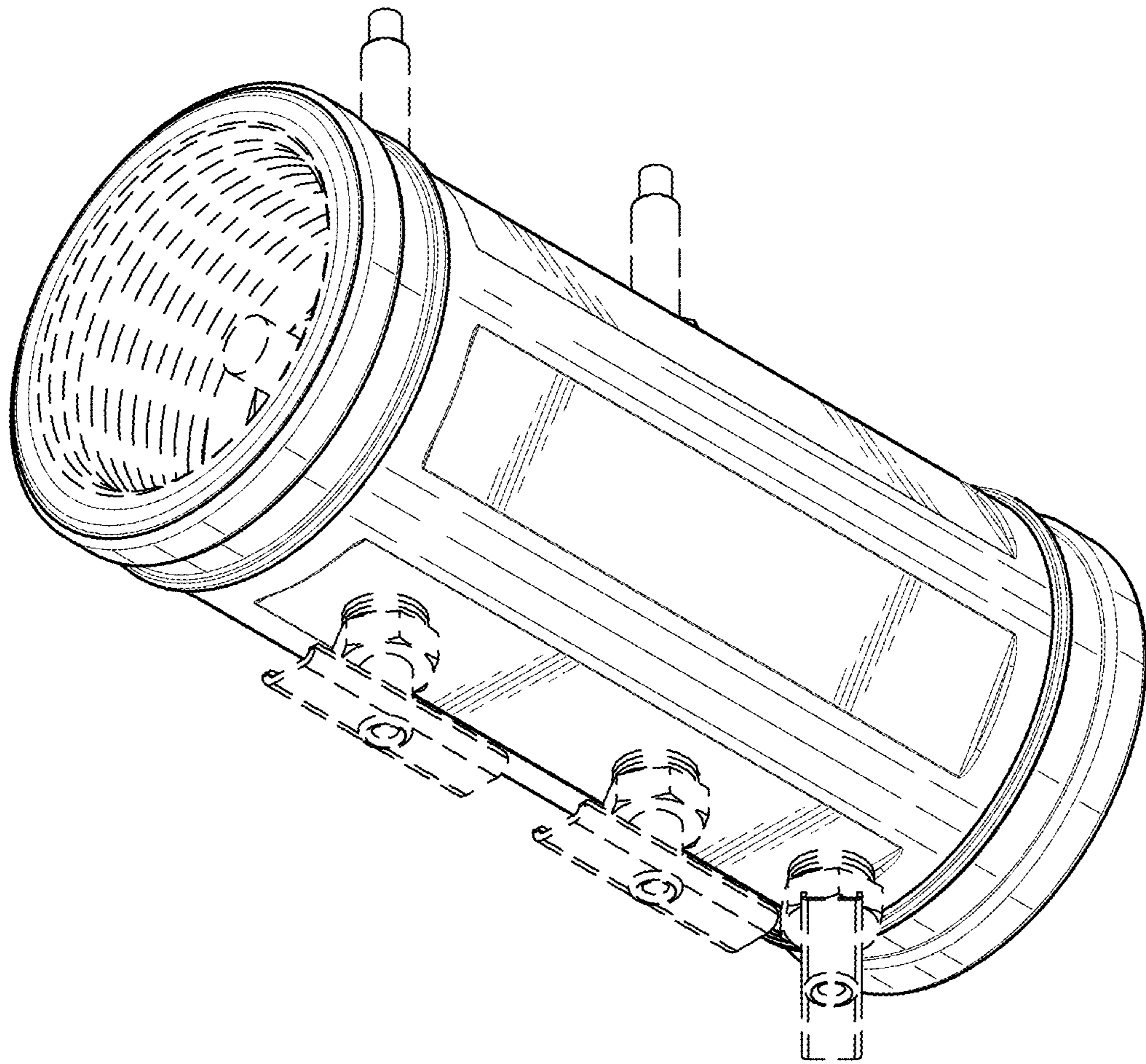
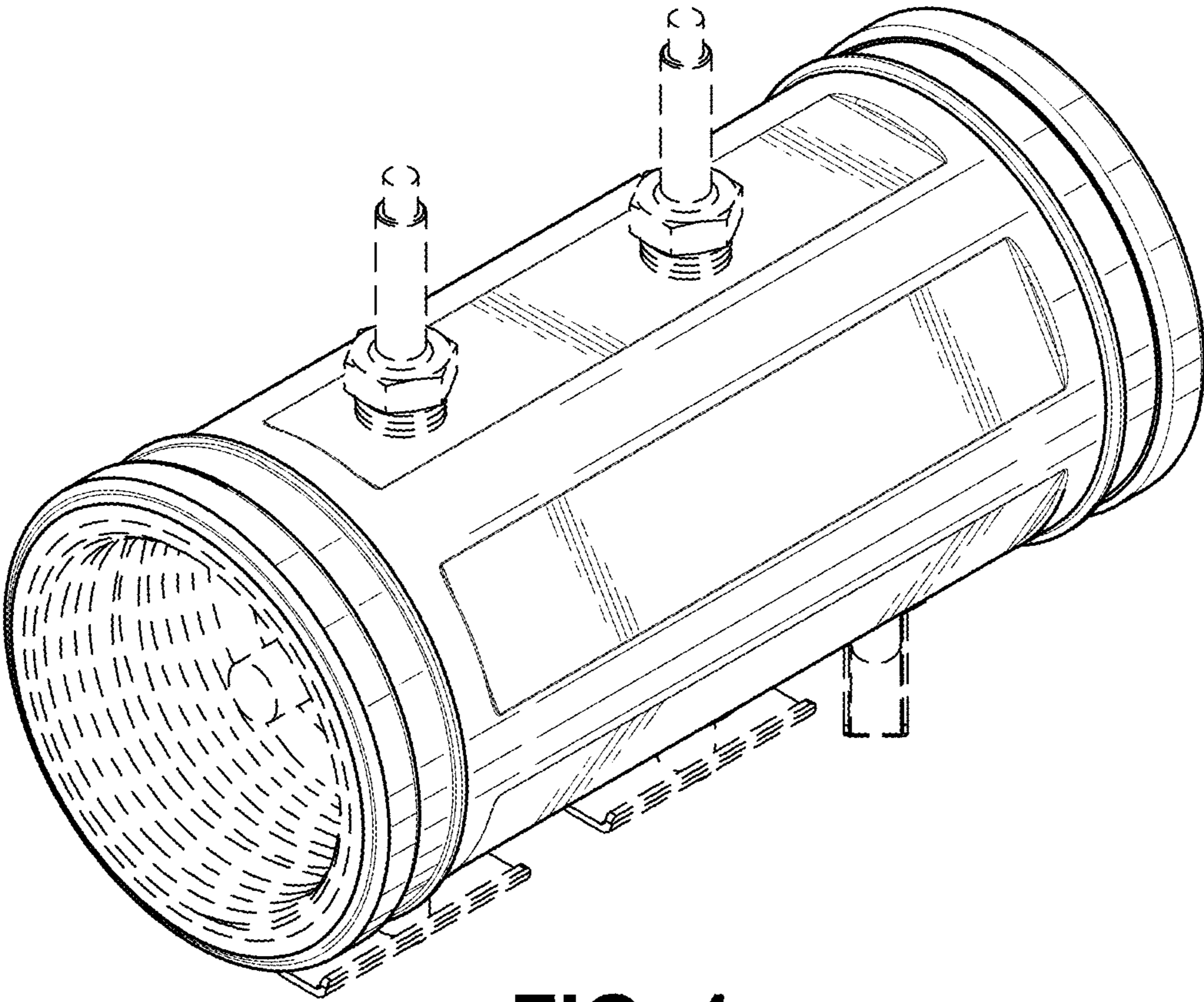


FIG. 2



**FIG. 3**



**FIG. 4**

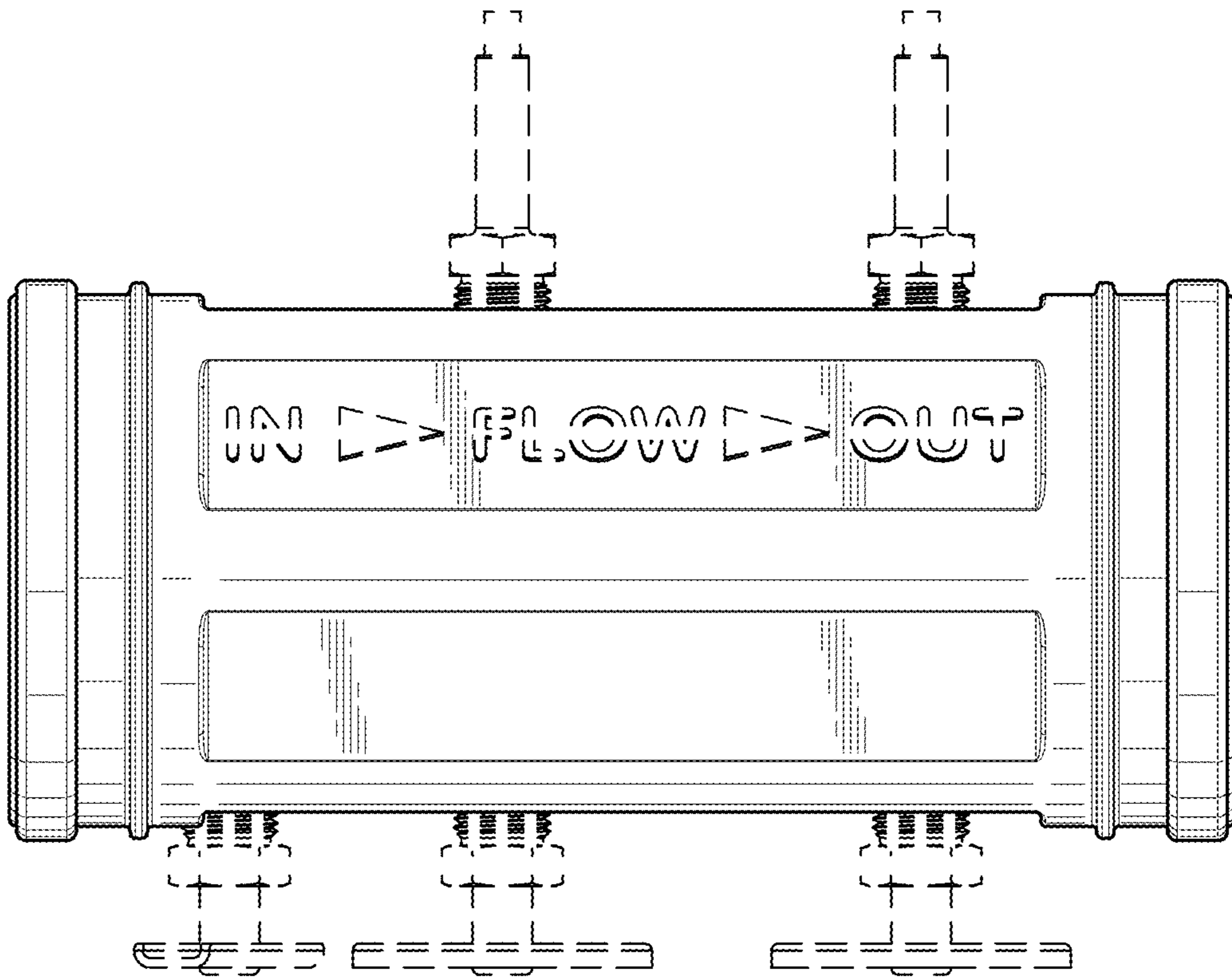


FIG. 5

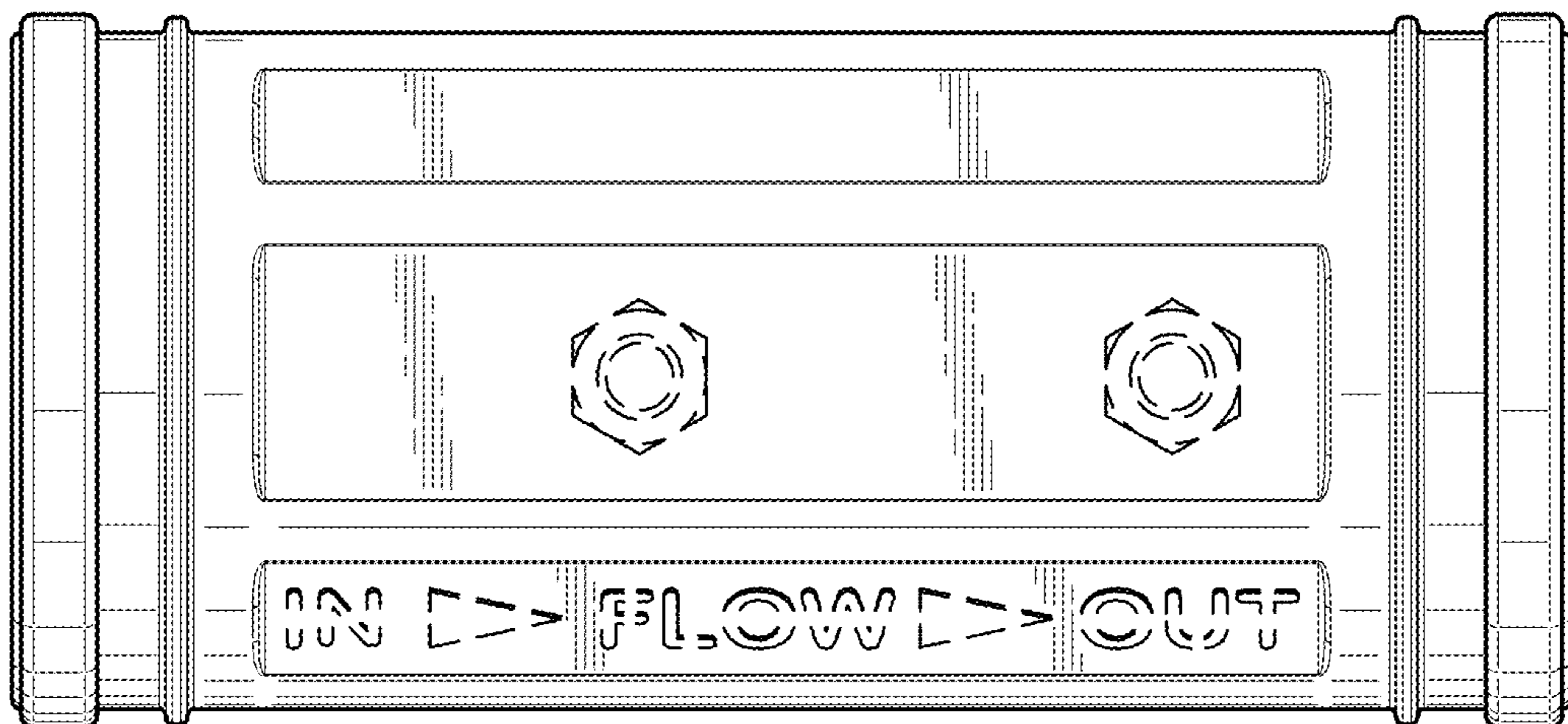
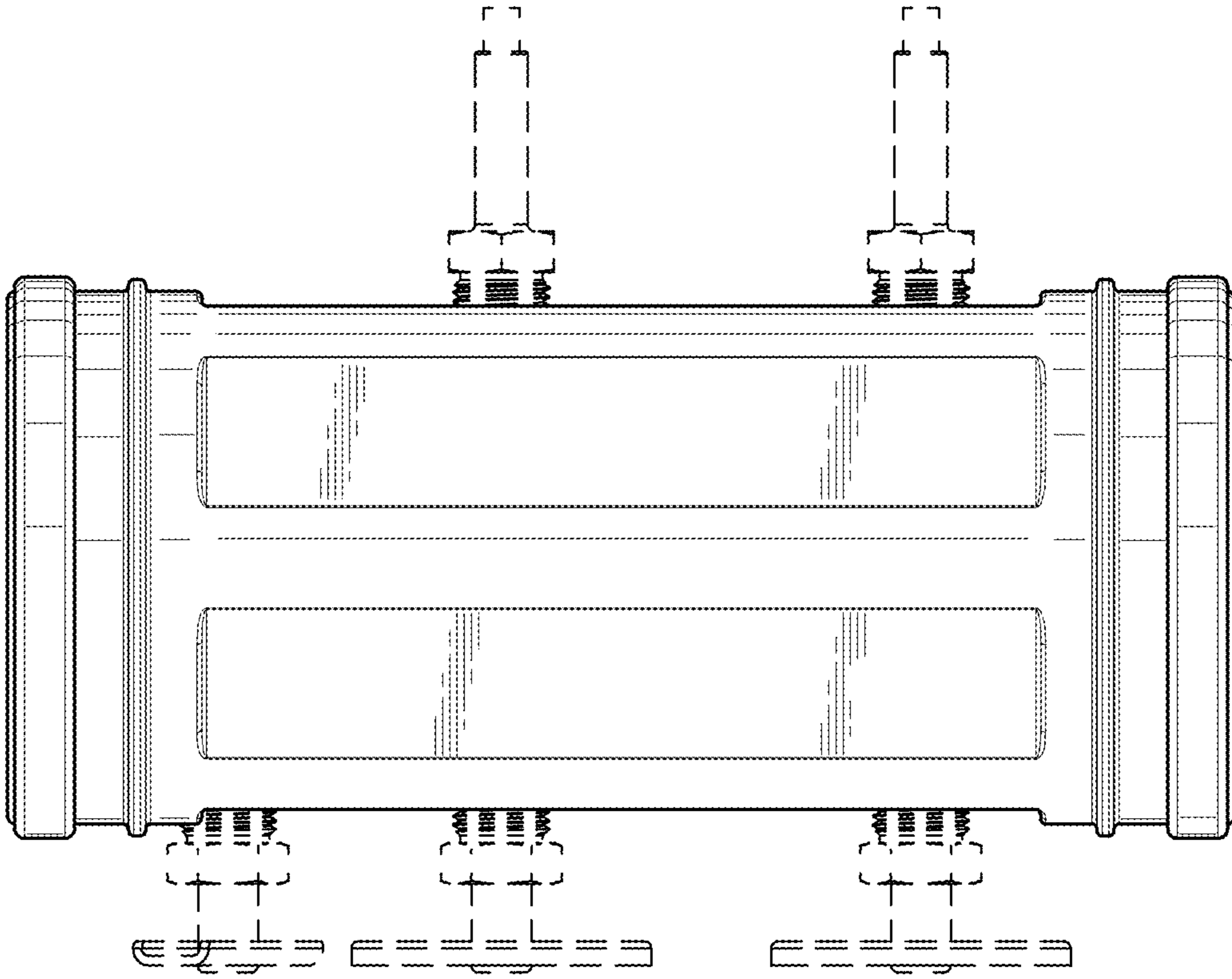
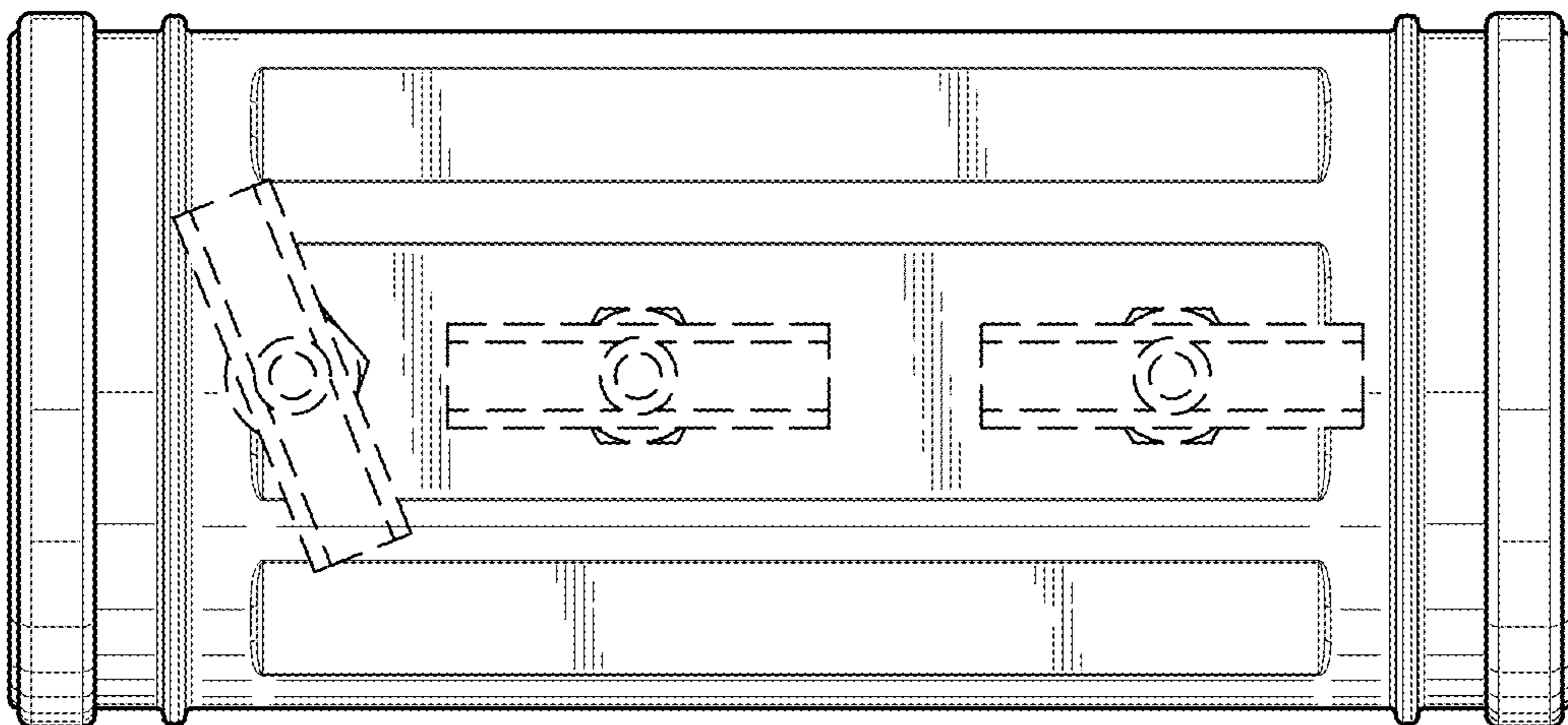


FIG. 6

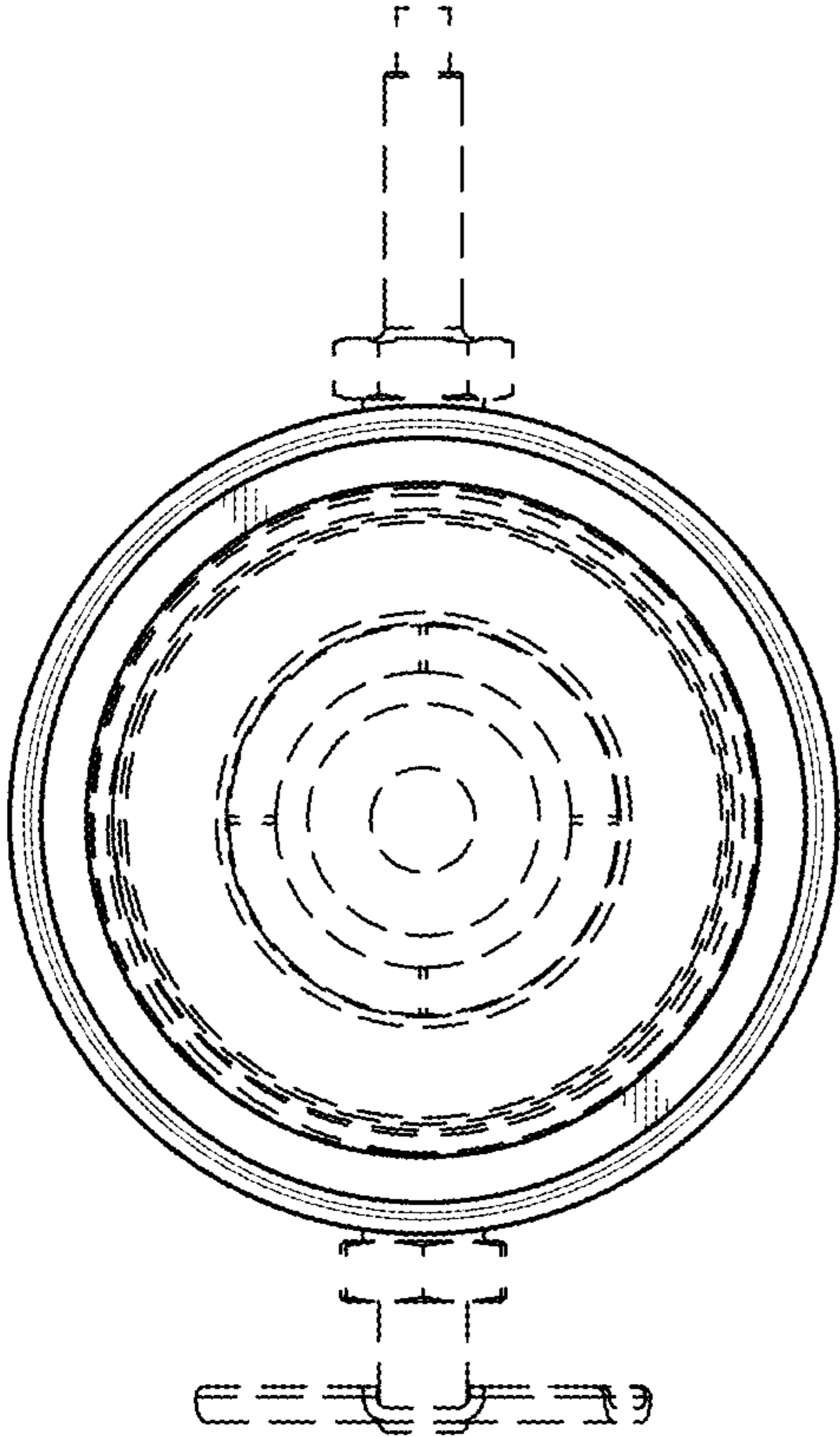


**FIG. 7**

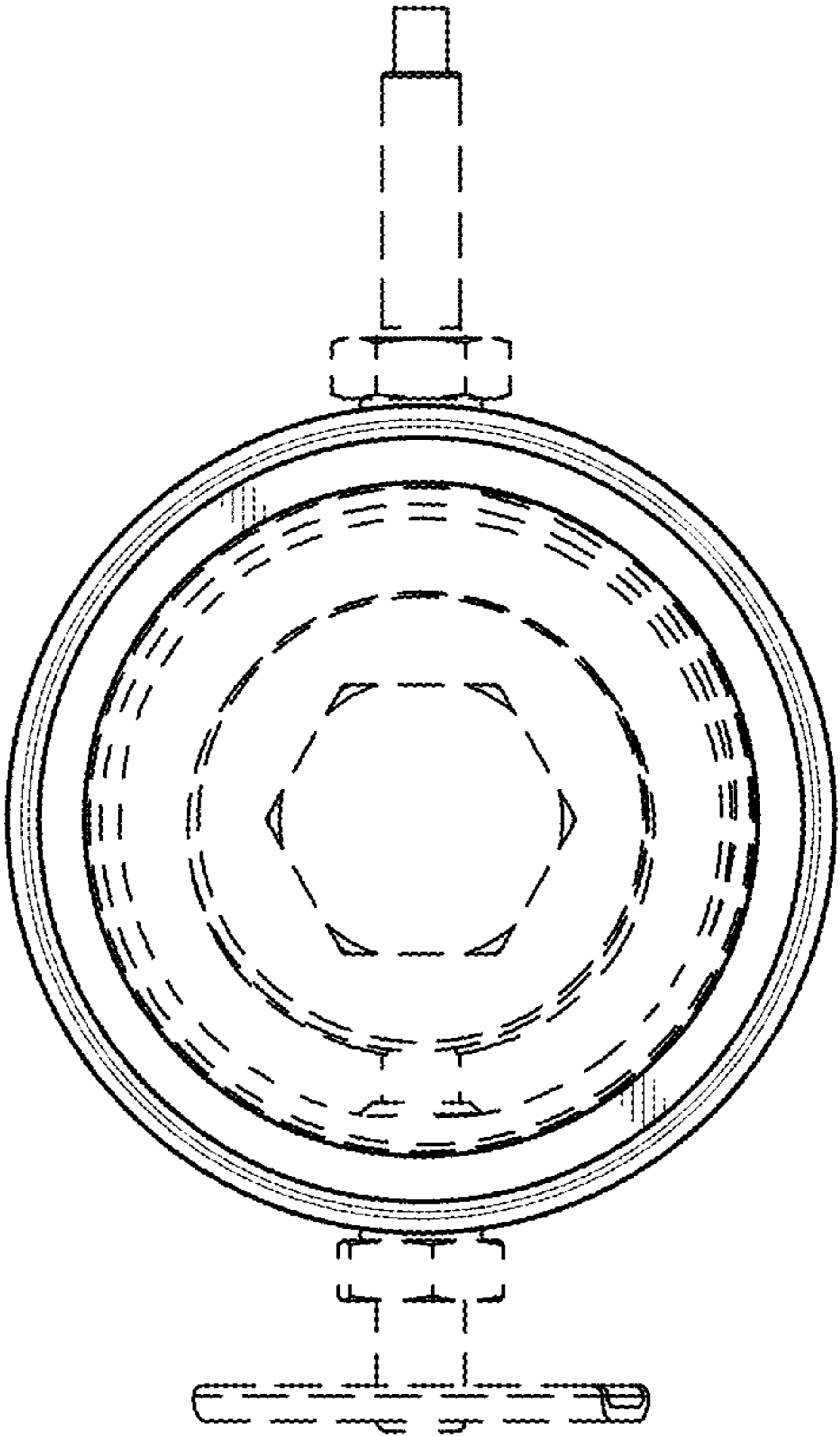


**FIG. 8**





**FIG. 9**



**FIG. 10**