



US00D950685S

(12) **United States Design Patent**
Lan

(10) **Patent No.:** **US D950,685 S**

(45) **Date of Patent:** **** May 3, 2022**

(54) **LIQUID TRANSPORT DEVICE**

D839,388 S * 1/2019 Miyazoe D23/233
D846,075 S * 4/2019 Sato D23/235
10,849,251 B2 * 11/2020 Lan H05K 7/20272

(71) Applicant: **ASIA VITAL COMPONENTS CO., LTD.**, New Taipei (TW)

FOREIGN PATENT DOCUMENTS

(72) Inventor: **Wen-Ji Lan**, New Taipei (TW)

CN 305460522 * 11/2019

(73) Assignee: **ASIA VITAL COMPONENTS CO., LTD.**, New Taipei (TW)

* cited by examiner

(**) Term: **15 Years**

Primary Examiner — Amy C Wierenga

(21) Appl. No.: **29/695,729**

(74) *Attorney, Agent, or Firm* — Demian K. Jackson;
Jackson IPG PLLC

(22) Filed: **Jun. 21, 2019**

(51) **LOC (13) Cl.** **23-01**

(57) **CLAIM**

The ornamental design for a liquid transport device, as shown and described.

(52) **U.S. Cl.**

DESCRIPTION

USPC **D23/259**; D23/234

(58) **Field of Classification Search**

USPC D23/200, 206–209, 233–237, 259,
D23/322–323, 213, 230–232, 245, 365;
210/222–223; 209/39; D13/147
CPC ... F28F 23/02; F28F 2250/08; F16L 2201/30;
F16L 25/00; F16K 51/36; F16K 1/42;
F16K 7/17

See application file for complete search history.

FIG. 1 is a perspective view of a liquid transport device showing my design;
FIG. 2 is a front view thereof;
FIG. 3 is a rear view thereof;
FIG. 4 is a left view thereof;
FIG. 5 is a right view thereof;
FIG. 6 is a top plan view thereof;
FIG. 7 is a bottom plan view thereof;
FIG. 8 is a perspective view wherein the liquid transport device is shown in an environmental position of use received in a housing.
FIG. 9 is an enlarged detail view of area 9 taken from FIG. 6; and,
FIG. 10 is an enlarged detail view of area 10 taken from FIG. 7.

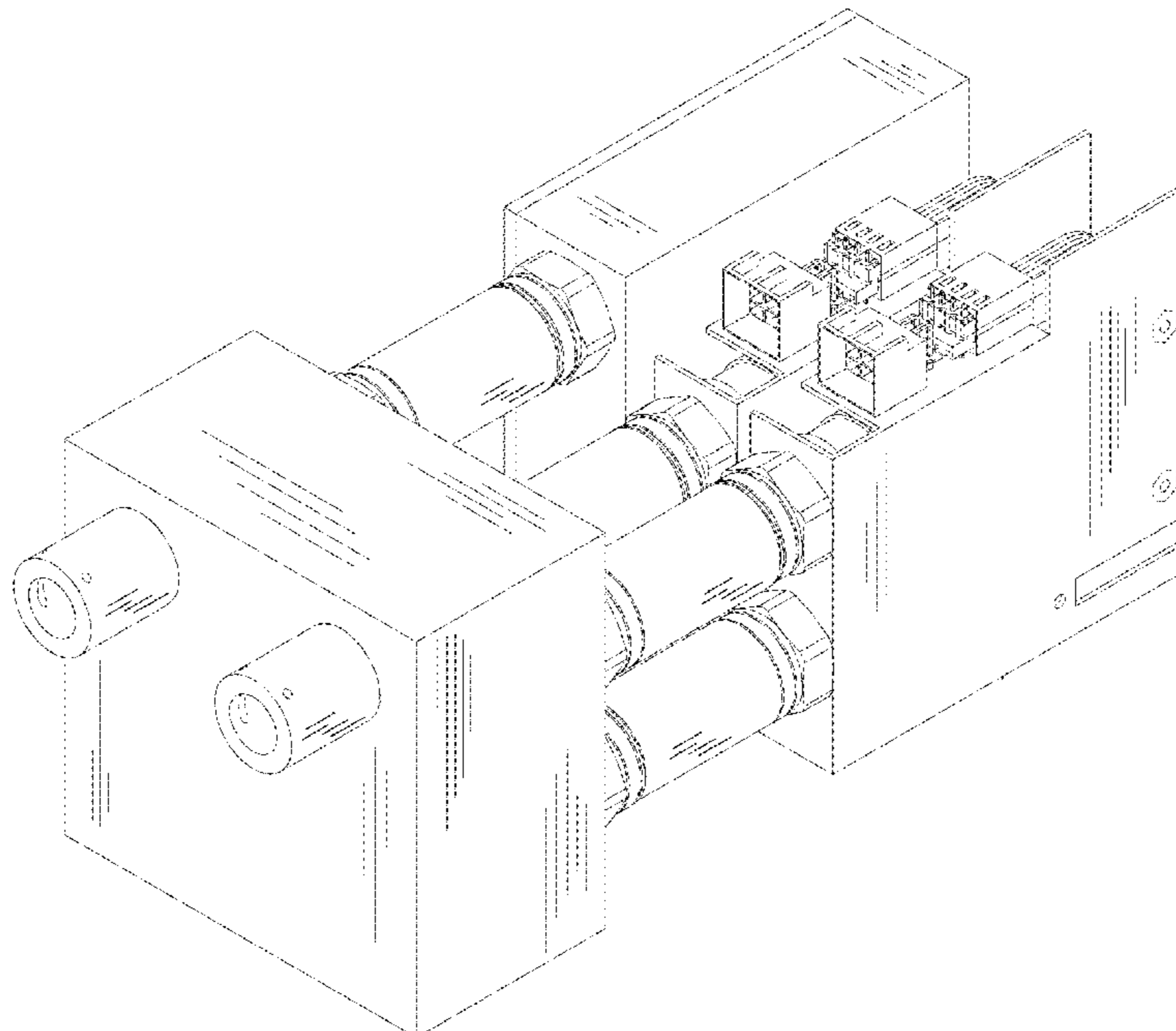
(56) **References Cited**

U.S. PATENT DOCUMENTS

D453,347 S * 2/2002 Kaneko D15/143
D488,543 S * 4/2004 Fulcher D23/213
D608,416 S * 1/2010 Schmidt D23/233
D633,181 S * 2/2011 Shinohara D23/245
D656,224 S * 3/2012 Roys D23/233
D681,164 S * 4/2013 Asaba D23/233
D692,534 S * 10/2013 Fangmeier D23/233
D802,716 S * 11/2017 Asaba D23/233
D827,094 S * 8/2018 Miyazoe D23/233

The dot dash broken lines indicate cutoff boundaries for enlarged detailed portion views and form no part of the claim.

1 Claim, 10 Drawing Sheets



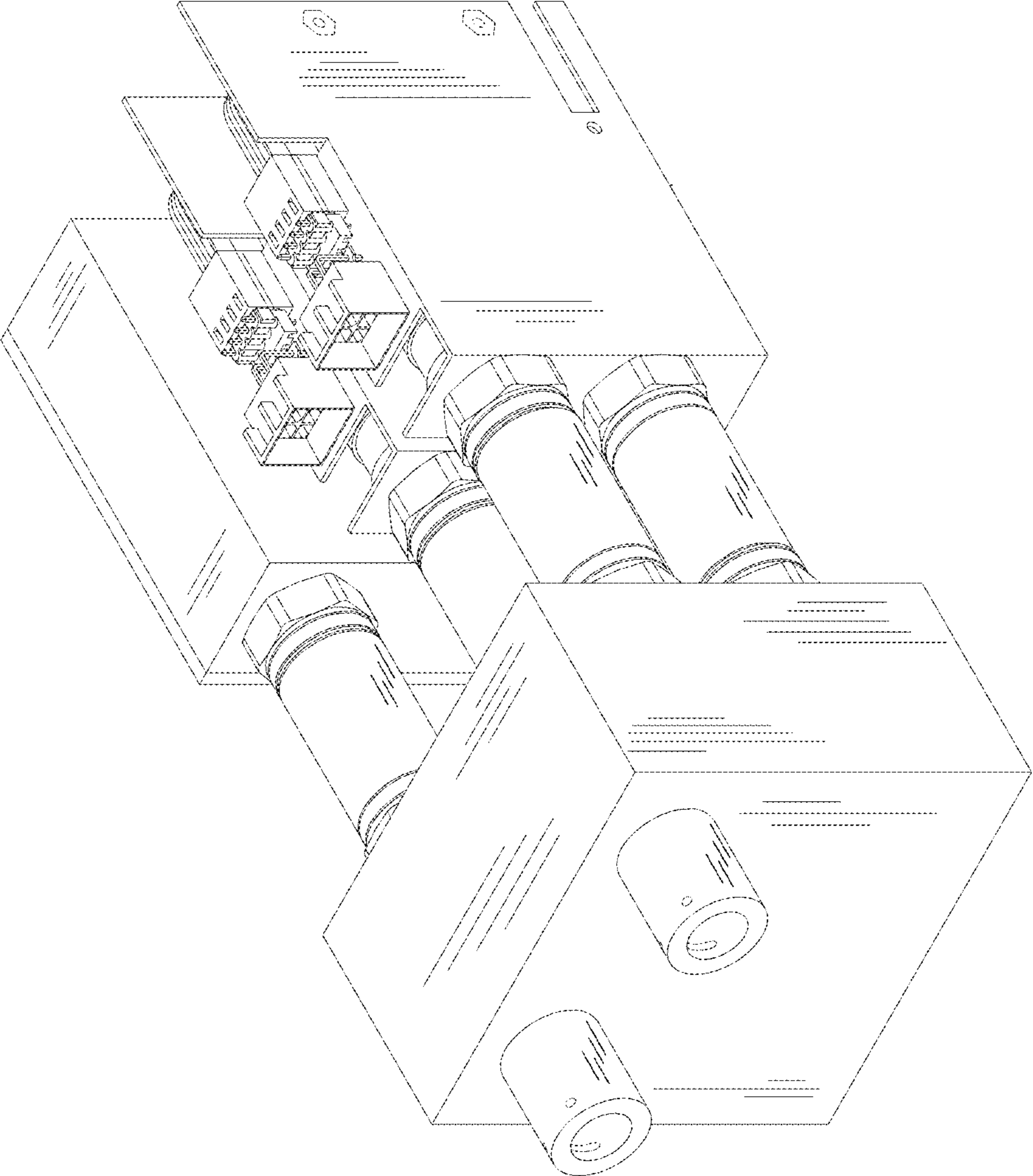


Fig. 1

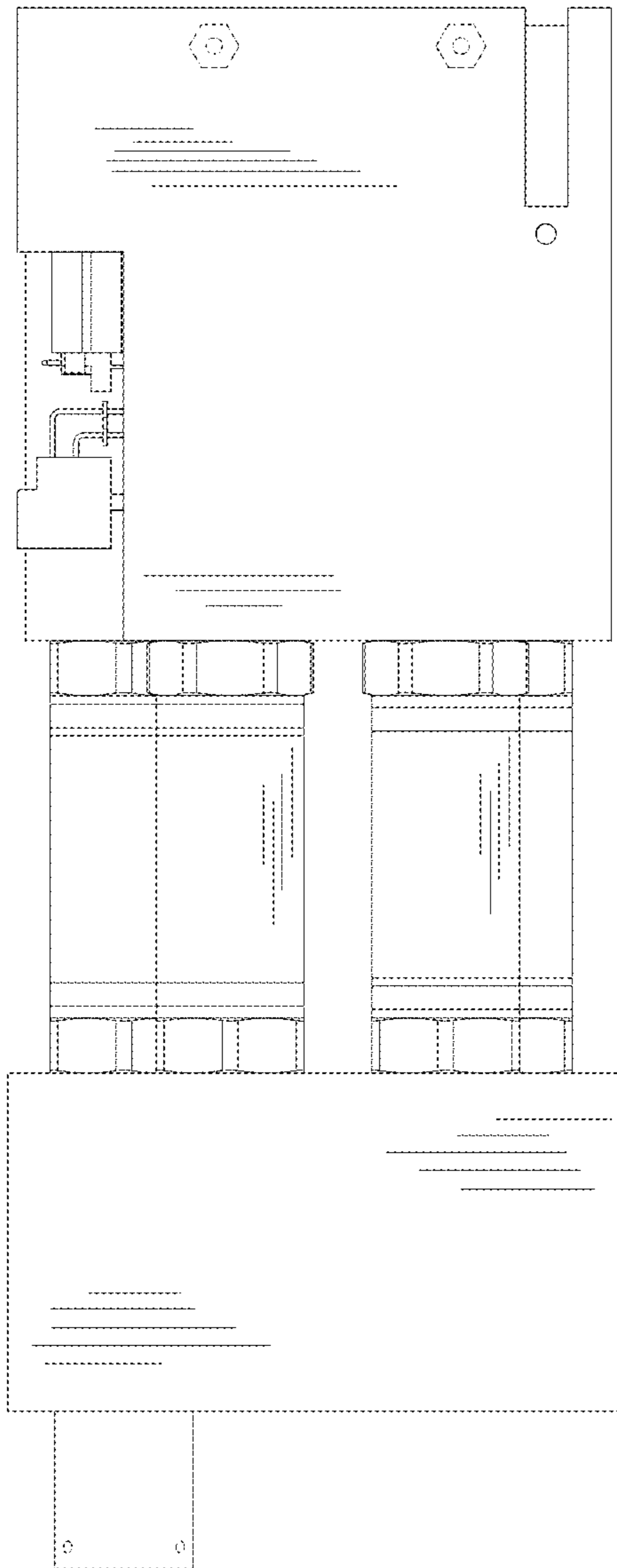


Fig. 2

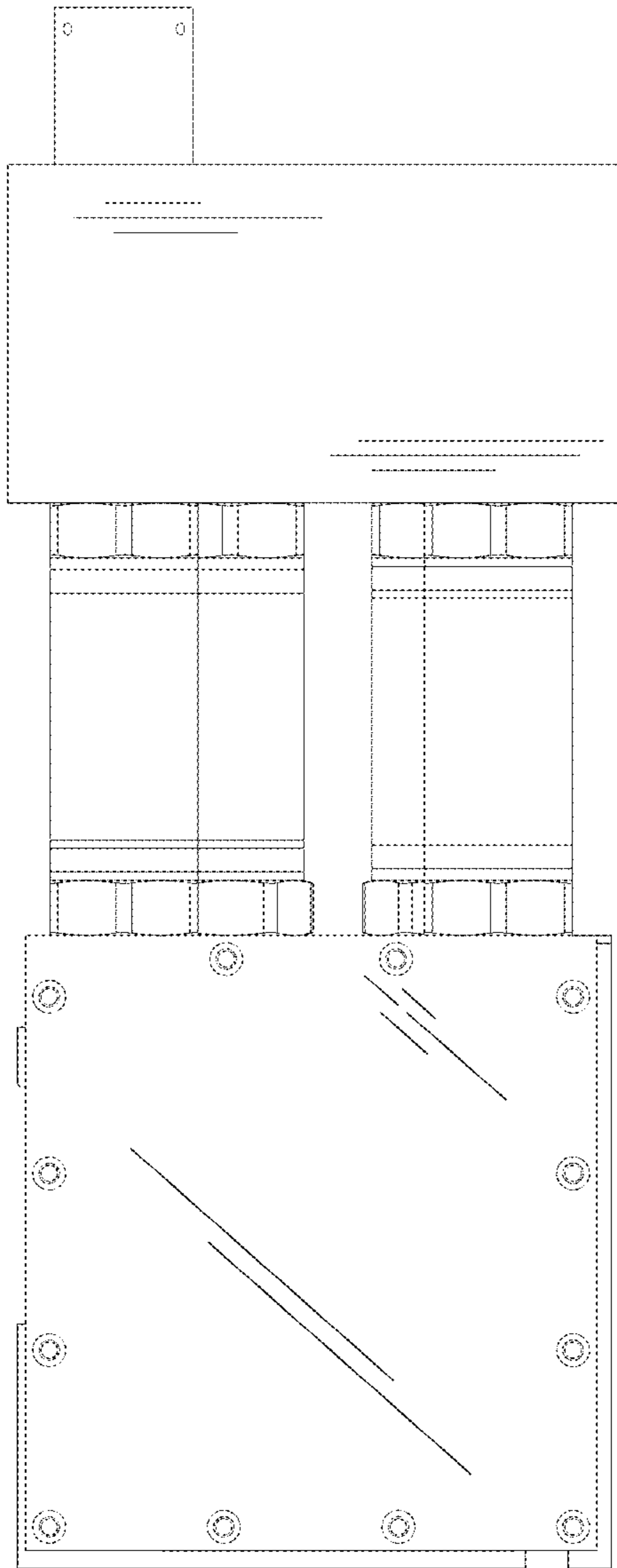


Fig. 3

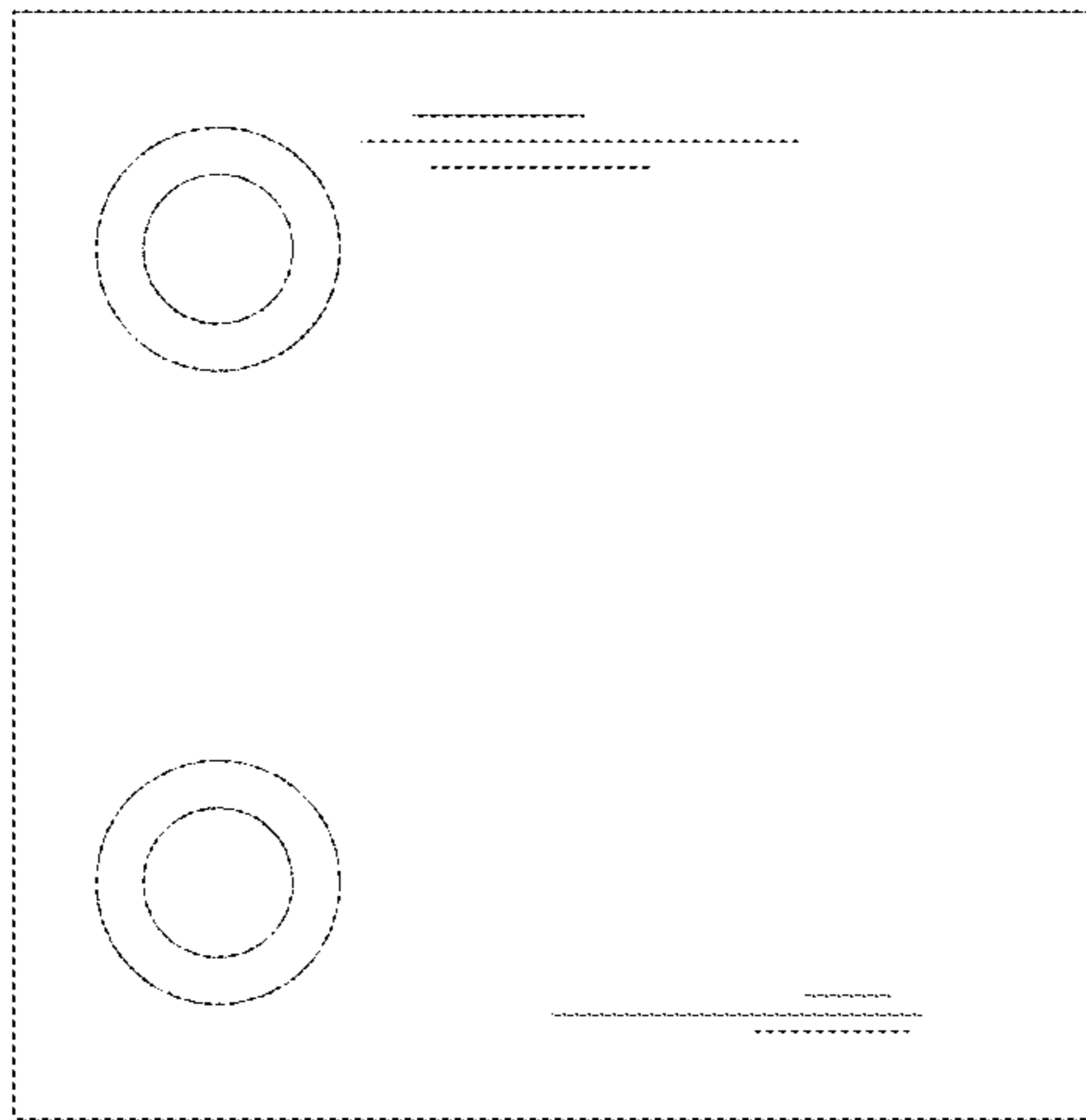


Fig. 4

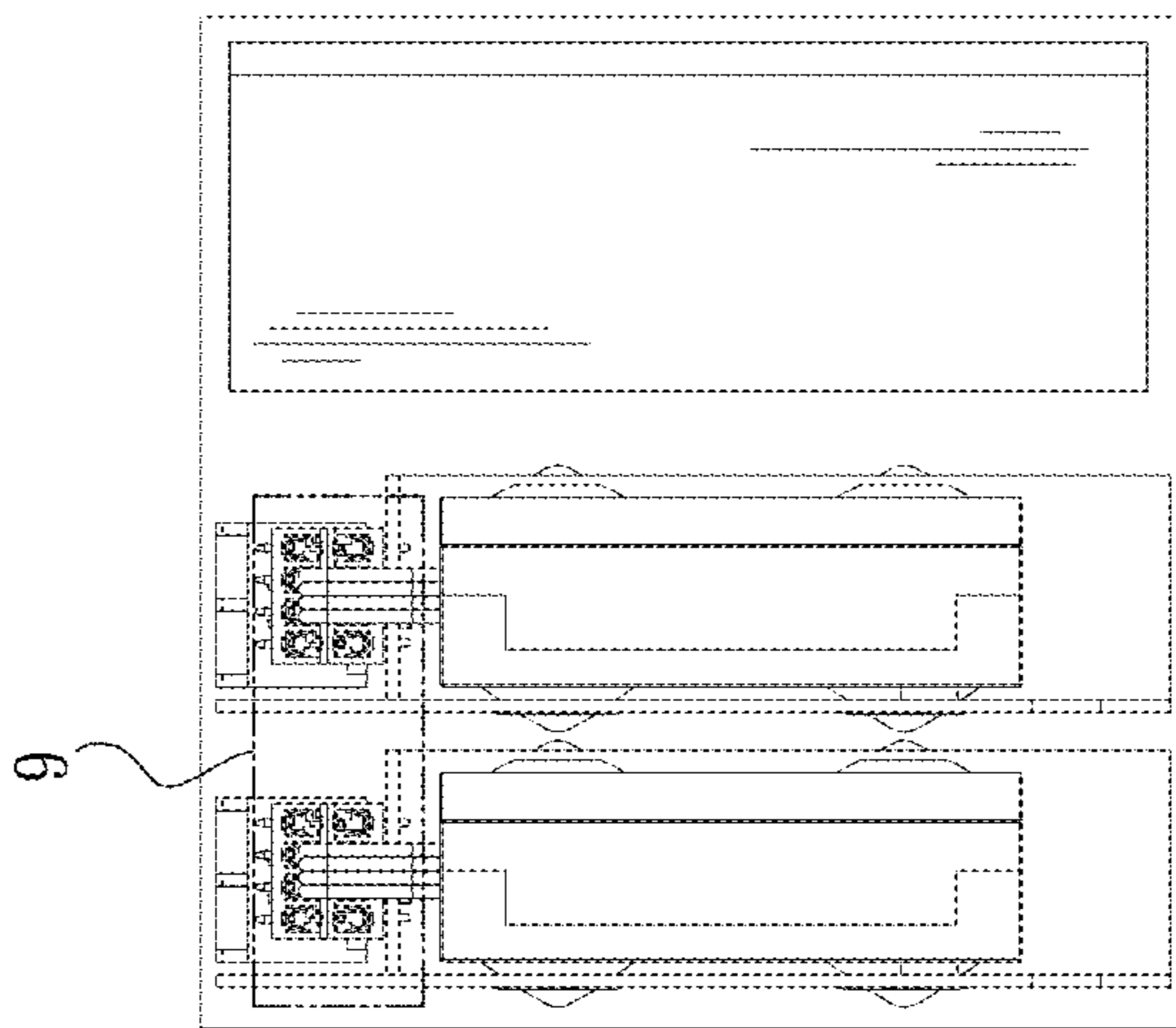


Fig. 5

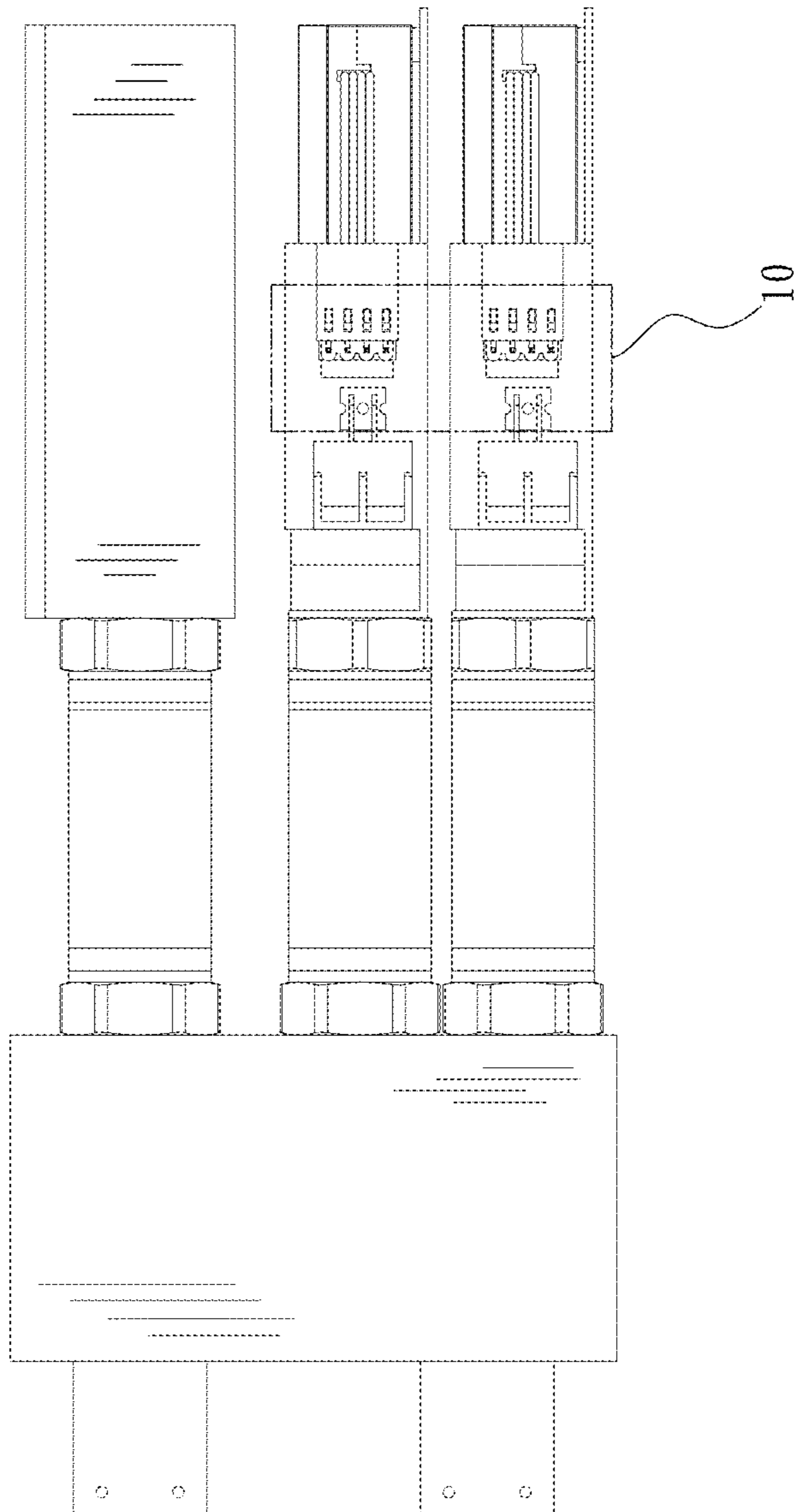


Fig. 6

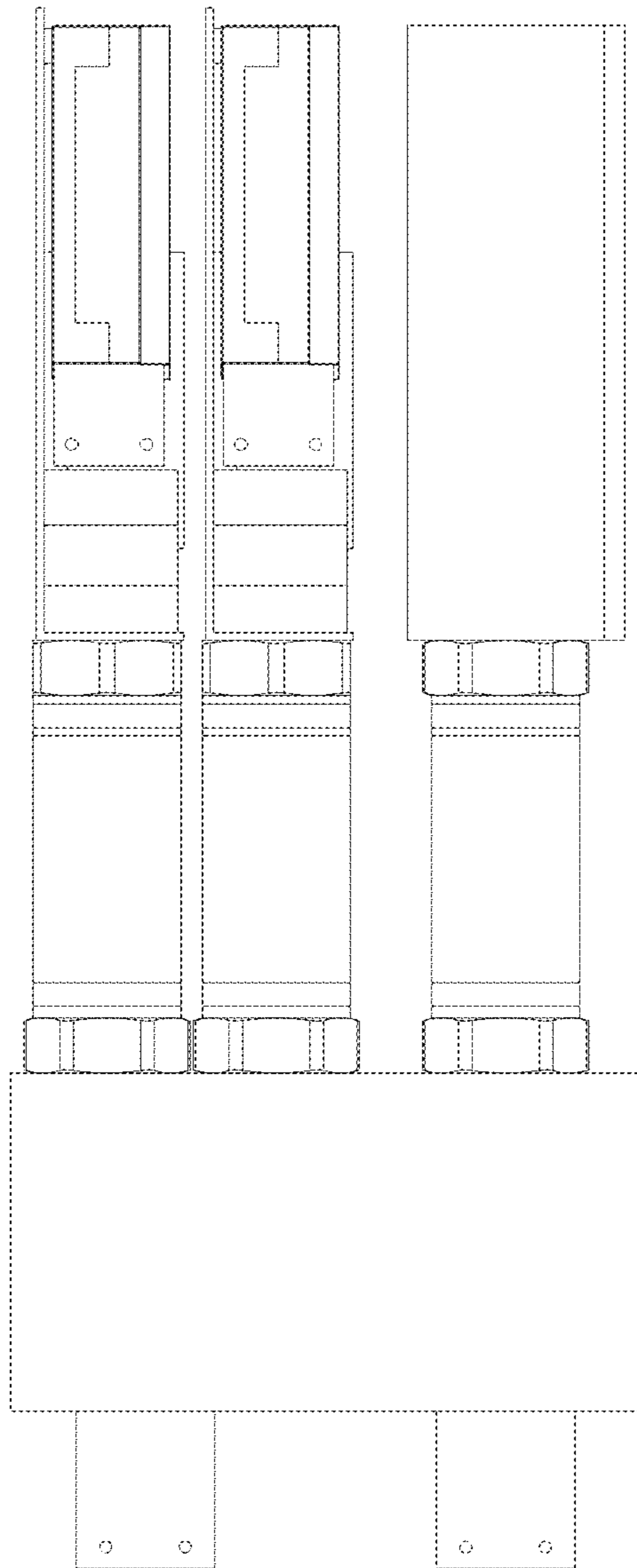


Fig. 7

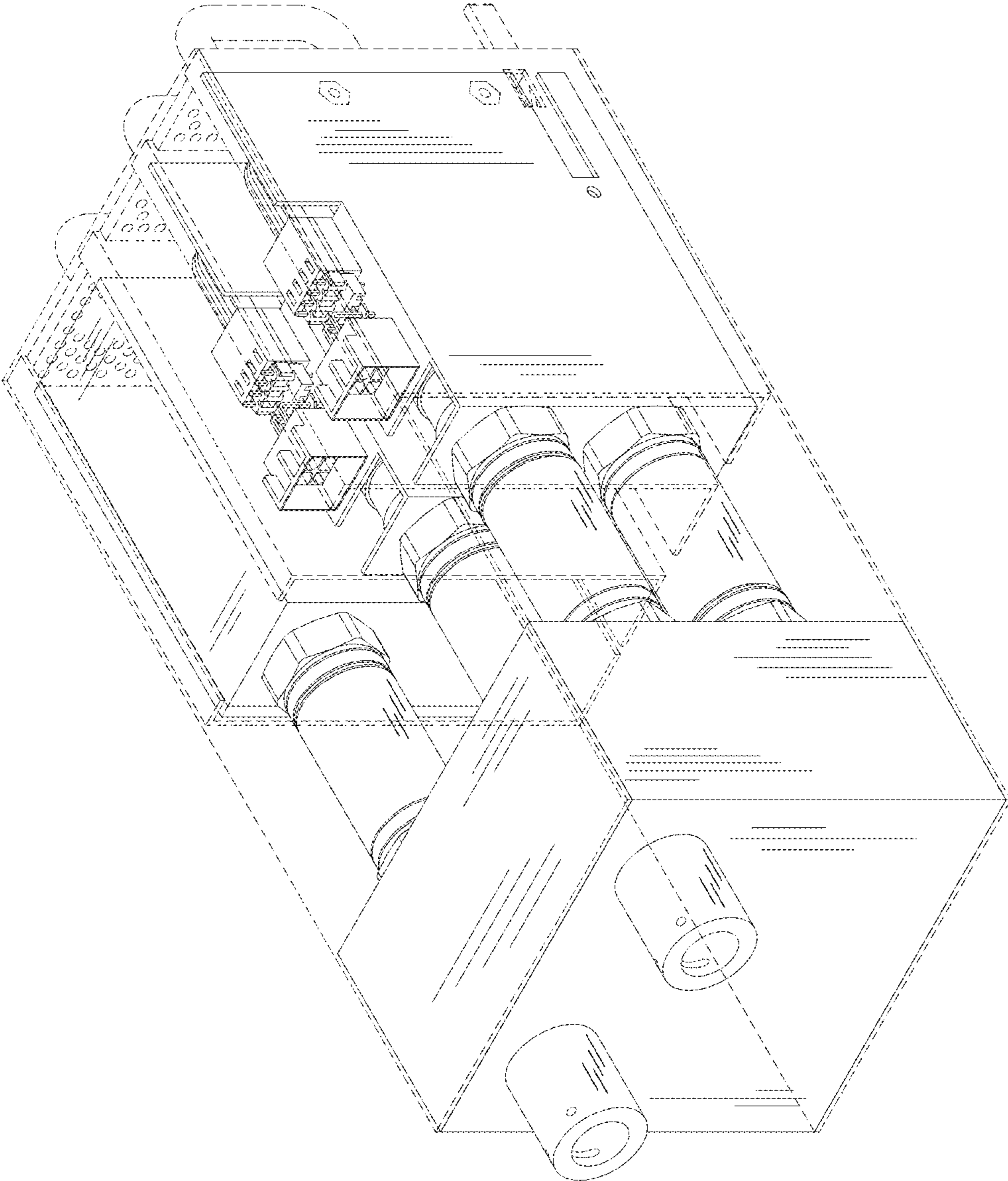


Fig. 8

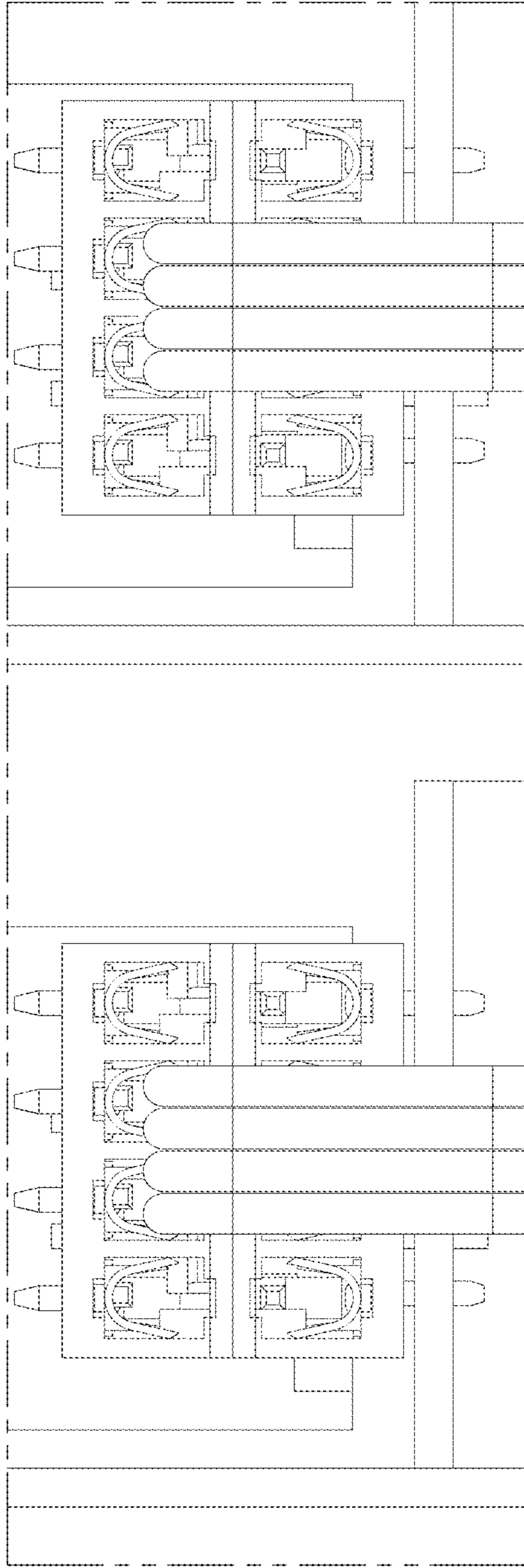


Fig. 9

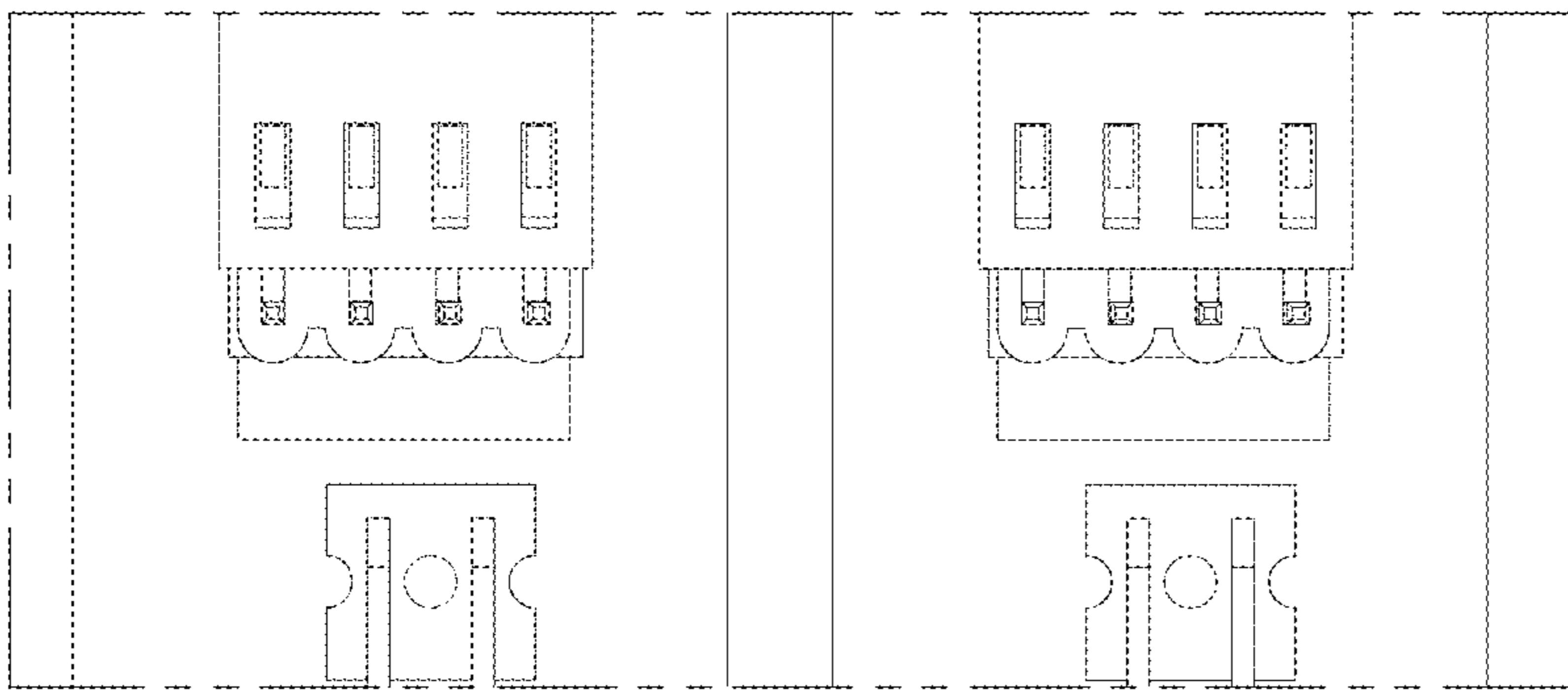


Fig. 10