

US00D950683S

(12) **United States Design Patent**
Ling

(10) **Patent No.:** **US D950,683 S**

(45) **Date of Patent:** **** May 3, 2022**

(54) **FAUCET**

D914,143 S * 3/2021 Levi D23/238
D917,670 S * 4/2021 Levi D23/238
D924,362 S * 7/2021 Zhu D23/238

(71) Applicant: **SHANGHAI AQUACUBIC
SANITARYWARE CO., LTD,**
Shanghai (CN)

(72) Inventor: **Ruizhi Ling**, Shanghai (CN)

(73) Assignee: **SHANGHAI AQUACUBIC
SANITARYWARE CO., LTD,**
Shanghai (CN)

(**) Term: **15 Years**

(21) Appl. No.: **29/799,733**

(22) Filed: **Jul. 16, 2021**

(51) **LOC (13) Cl.** **23-01**

(52) **U.S. Cl.**
USPC **D23/238**

(58) **Field of Classification Search**
USPC D23/238-243, 249-250, 252, 254-255,
D23/257; D8/307-308
CPC Y10T 137/9464
See application file for complete search history.

(56) **References Cited**

U.S. PATENT DOCUMENTS

D802,720 S * 11/2017 Haug D23/238
D855,156 S 7/2019 Stuart
D857,844 S * 8/2019 Levi D23/238
D862,648 S * 10/2019 Zeng D23/238
D873,961 S 1/2020 Garland

OTHER PUBLICATIONS

Lowe's: CASAINC Spring sprayer kitchen faucet: <https://www.lowes.com/pd/CASAINC-Spring-Sprayer-Kitchen-Faucet-with-Deck-Plate-Stainless-Steel-1-Handle-Deck-Mount-Pull-Down-Touch-Commercial-Residential-Kitchen-Faucet/1002706598> (Year: 2020).*

* cited by examiner

Primary Examiner — Robert A Delehanty

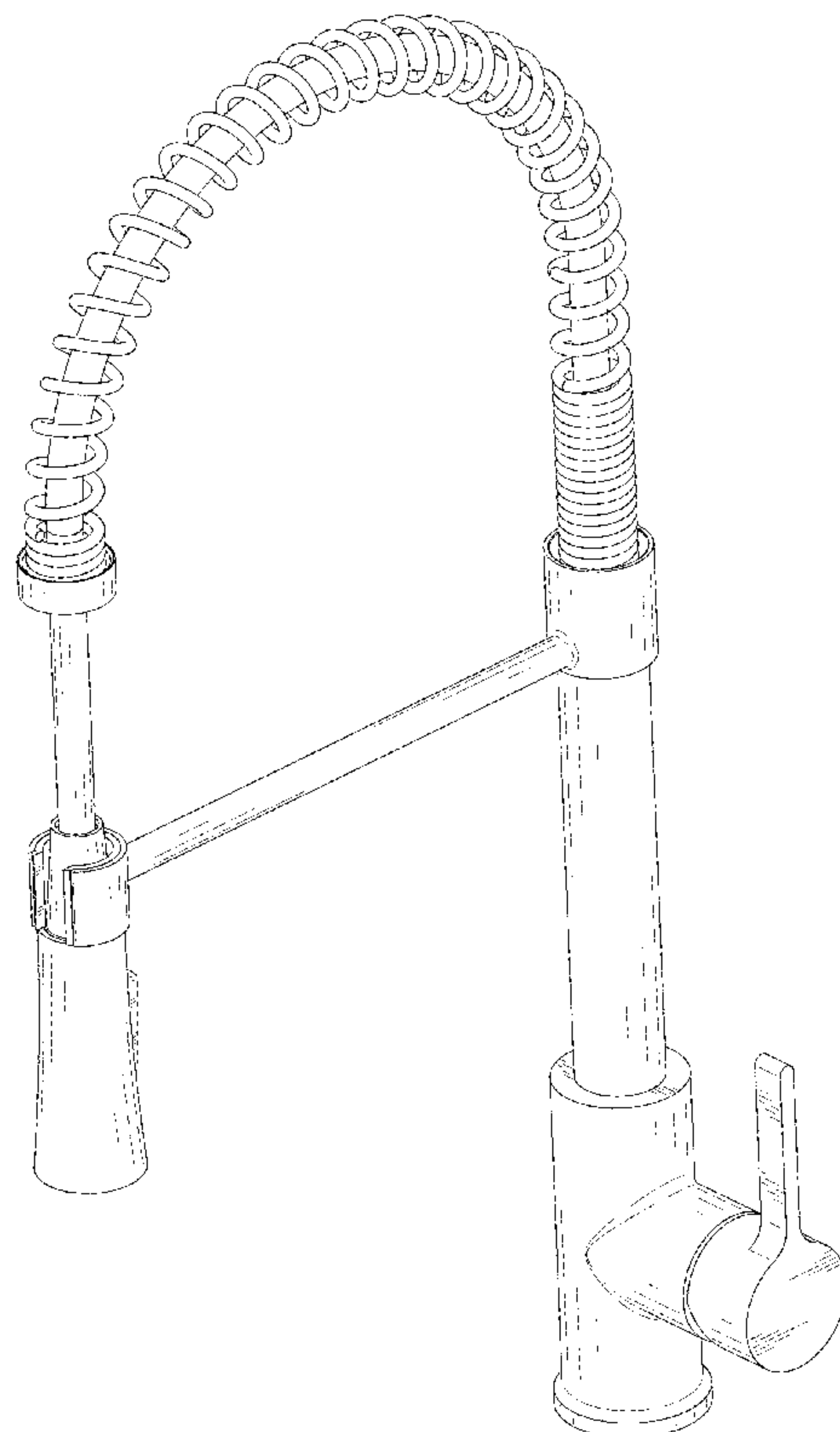
(57) **CLAIM**

The ornamental design for a faucet, as shown and described.

DESCRIPTION

FIG. 1 is a perspective view of a faucet showing my new design;
FIG. 2 is another perspective view thereof;
FIG. 3 is a front elevational view thereof;
FIG. 4 is a rear elevational view thereof;
FIG. 5 is a left side elevational view thereof;
FIG. 6 is a right side elevational view thereof;
FIG. 7 is a top plan view thereof;
FIG. 8 is a bottom plan view thereof; and,
FIG. 9 is an enlarged view of portion 9 shown in FIG. 2.
The dash-dash broken lines in the drawings depict portions of the faucet that form no part of the claimed design. The dot-dash broken lines represent boundaries of the enlarged portion and form no part of the claimed design.

1 Claim, 9 Drawing Sheets



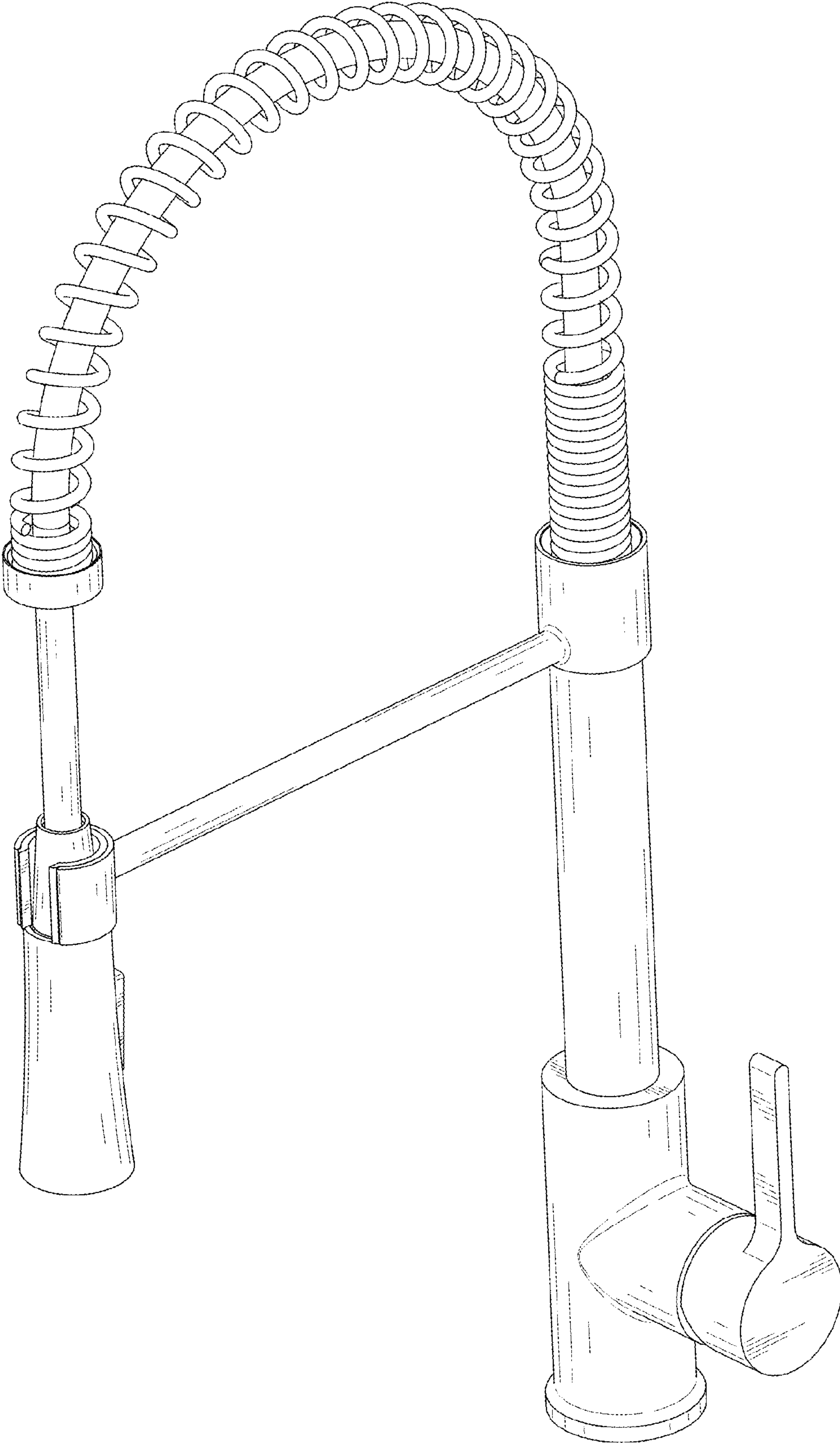


FIG. 1

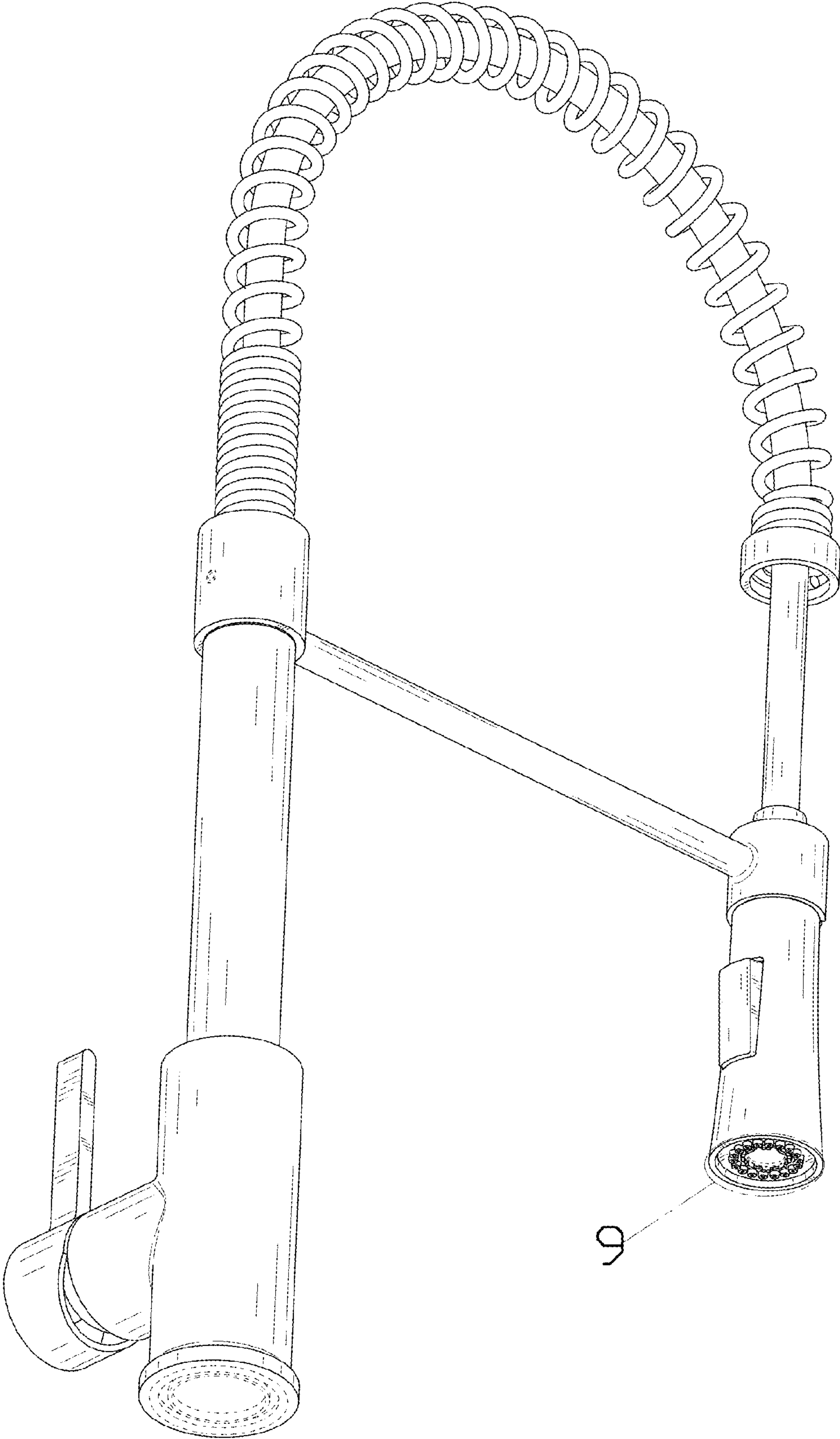


FIG. 2

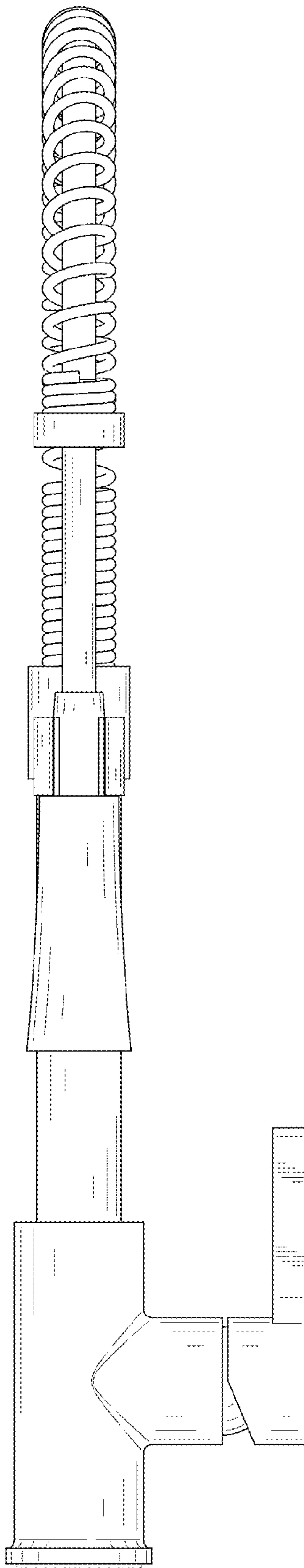


FIG. 3

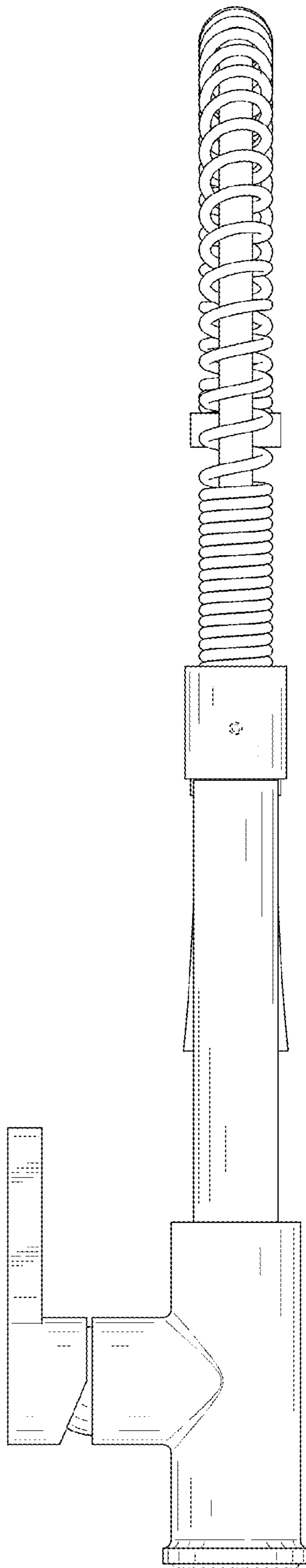


FIG. 4

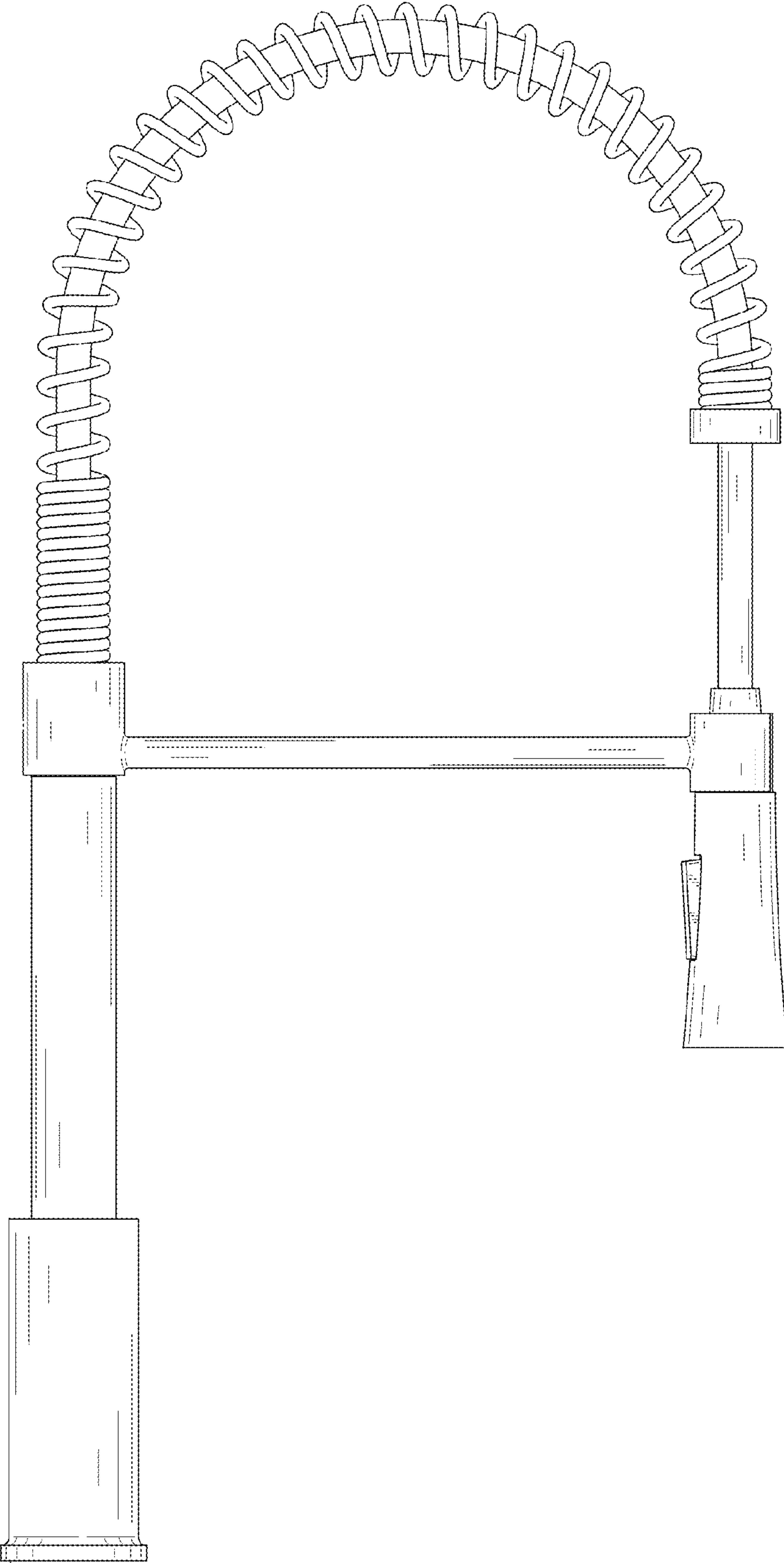


FIG. 5

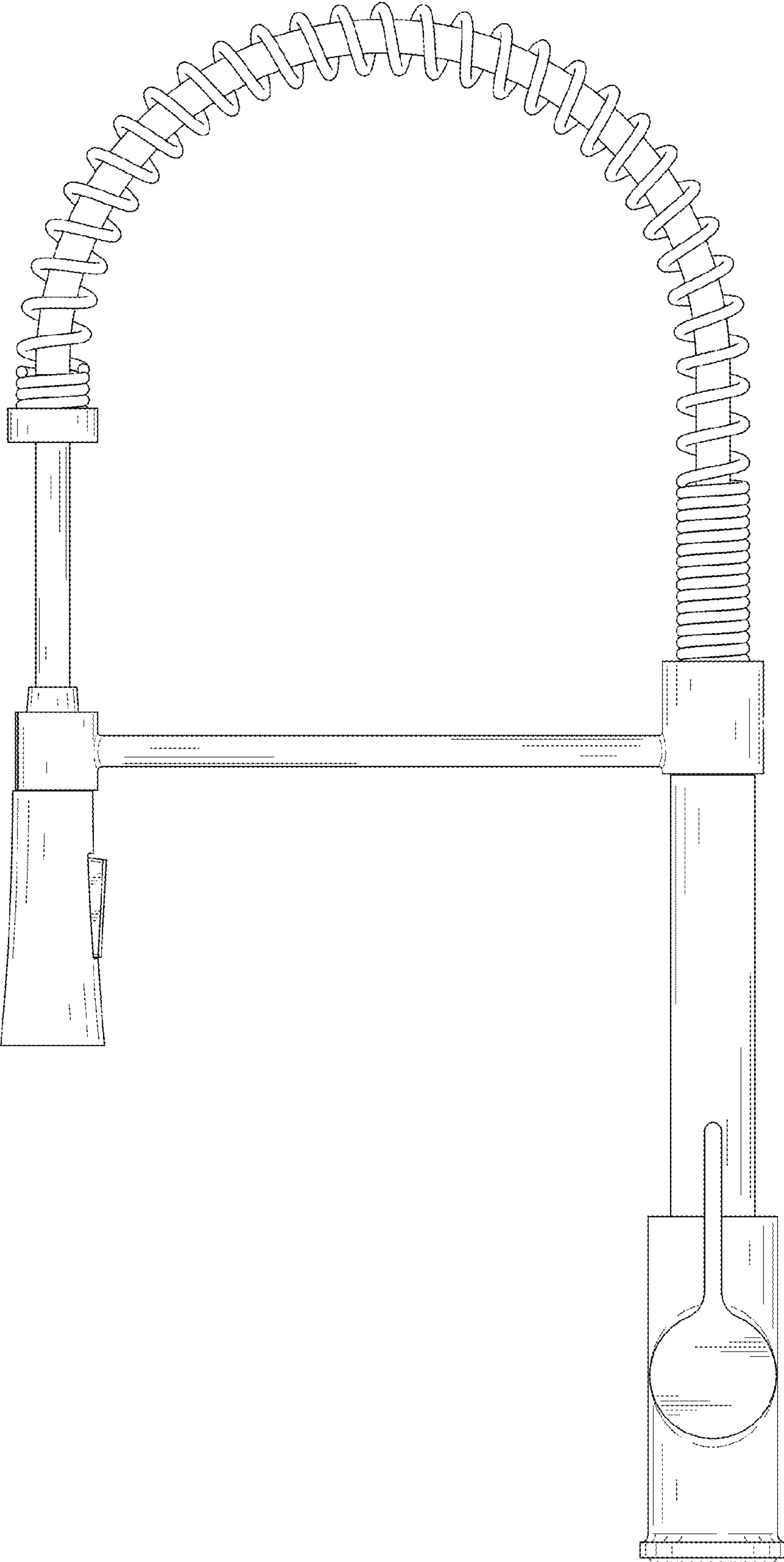


FIG. 6

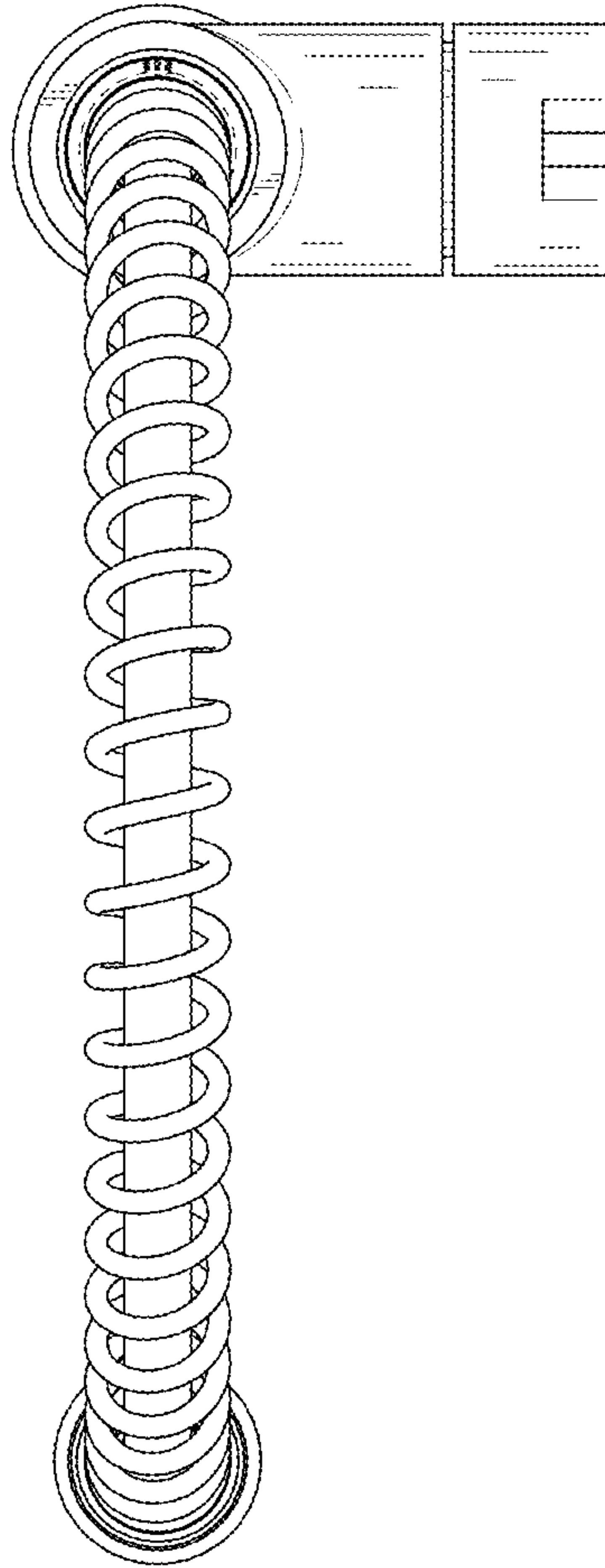


FIG. 7

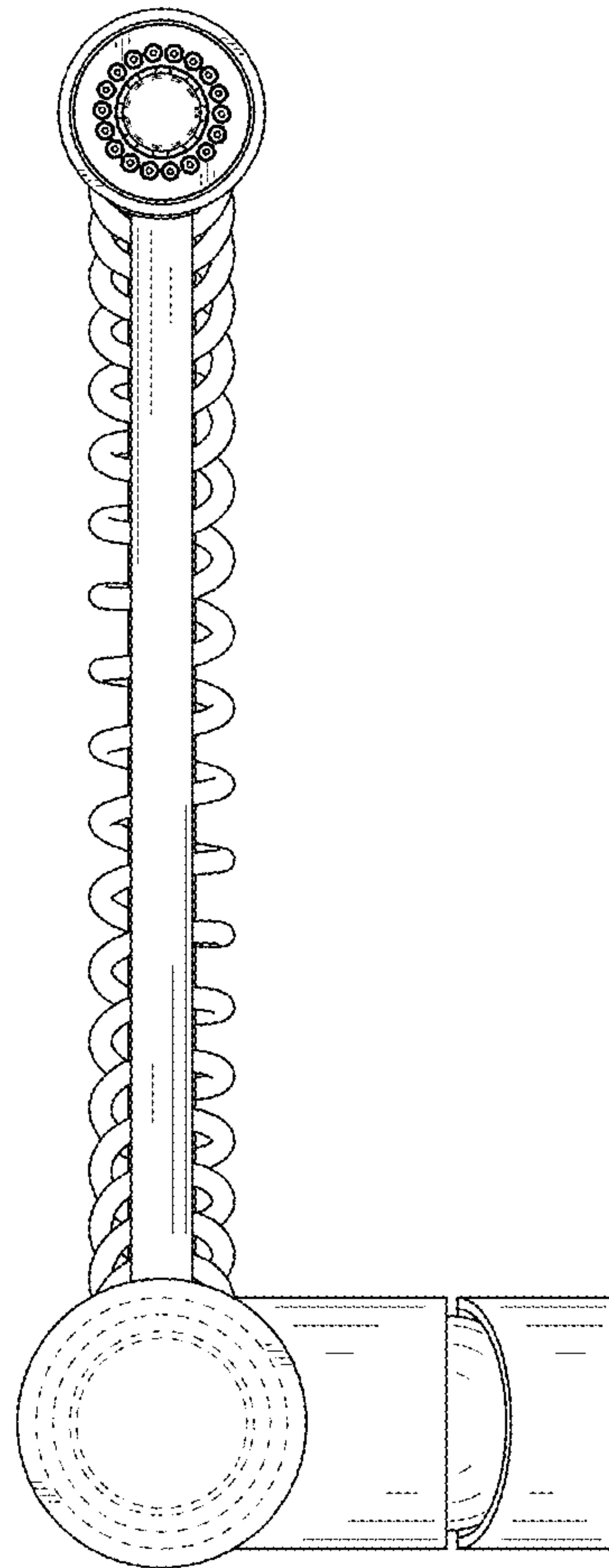


FIG. 8

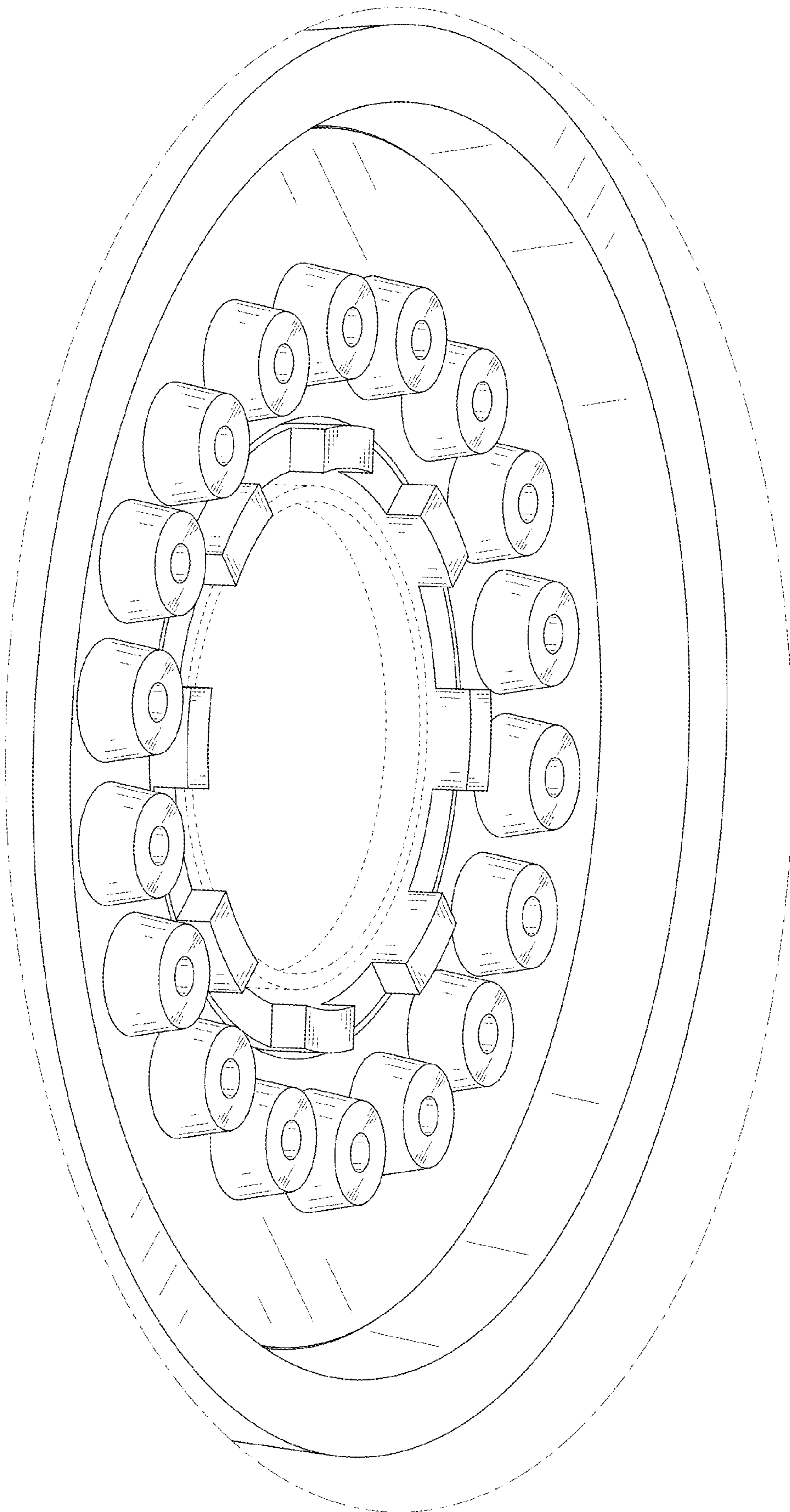


FIG. 9