



US00D950682S

(12) **United States Design Patent** (10) **Patent No.:** **US D950,682 S**  
**Soulier et al.** (45) **Date of Patent:** **\*\* May 3, 2022**

(54) **FAUCET**  
(71) Applicant: **Kohler Co.**, Kohler, WI (US)  
(72) Inventors: **Jean-Hugues Soulier**, Paris (FR);  
**Ferran Serra Sola**, Paris (FR)  
(73) Assignee: **Kohler Co.**, Kohler, WI (US)

D292,820 S 11/1987 Kemp  
D310,862 S 9/1990 Strignano  
D310,865 S 9/1990 Strignano  
D311,438 S 10/1990 Strignano  
D312,495 S 11/1990 Joerger  
D354,548 S 1/1995 Bollenbacher et al.  
D377,337 S 1/1997 Schaeffer  
D441,059 S 4/2001 Fleischmann

(Continued)

(\*\*) Term: **15 Years**

**OTHER PUBLICATIONS**

(21) Appl. No.: **29/794,354**

Amazon, Elli Women's Ring, posted Oct. 11, 2016, [online], [visited Aug. 23, 2019]. Internet, URL: [https://www.amazon.co.uk/El-li-Womens-Sterling-Silver-Plated/dp/B01LPSPKCI/ref=sr\\_1\\_79?keywords=hexagon+ring&qid=1566577892&s=gateway&sr=8-79](https://www.amazon.co.uk/El-li-Womens-Sterling-Silver-Plated/dp/B01LPSPKCI/ref=sr_1_79?keywords=hexagon+ring&qid=1566577892&s=gateway&sr=8-79) (Year: 2016).

(22) Filed: **Jun. 11, 2021**

(Continued)

**Related U.S. Application Data**

(62) Division of application No. 29/658,287, filed on Jul. 30, 2018, now Pat. No. Des. 925,703, which is a division of application No. 29/641,526, filed on Mar. 22, 2018, now Pat. No. Des. 901,643, which is a division of application No. 29/595,301, filed on Feb. 27, 2017, now Pat. No. Des. 823,441.

*Primary Examiner* — Robert A Delehanty  
(74) *Attorney, Agent, or Firm* — Foley & Lardner LLP

(51) **LOC (13) Cl.** ..... **23-01**  
(52) **U.S. Cl.**  
USPC ..... **D23/238**

(57) **CLAIM**

We claim the ornamental design for a faucet, as shown and described.

(58) **Field of Classification Search**  
USPC ..... D23/238–243, 250, 252, 254–255, 257;  
D8/307–308  
CPC ... Y10T 137/9464; E03C 1/04; E03C 1/0401;  
E03C 1/0402; E03C 1/0404; E03C  
1/0405; E03C 1/0412  
See application file for complete search history.

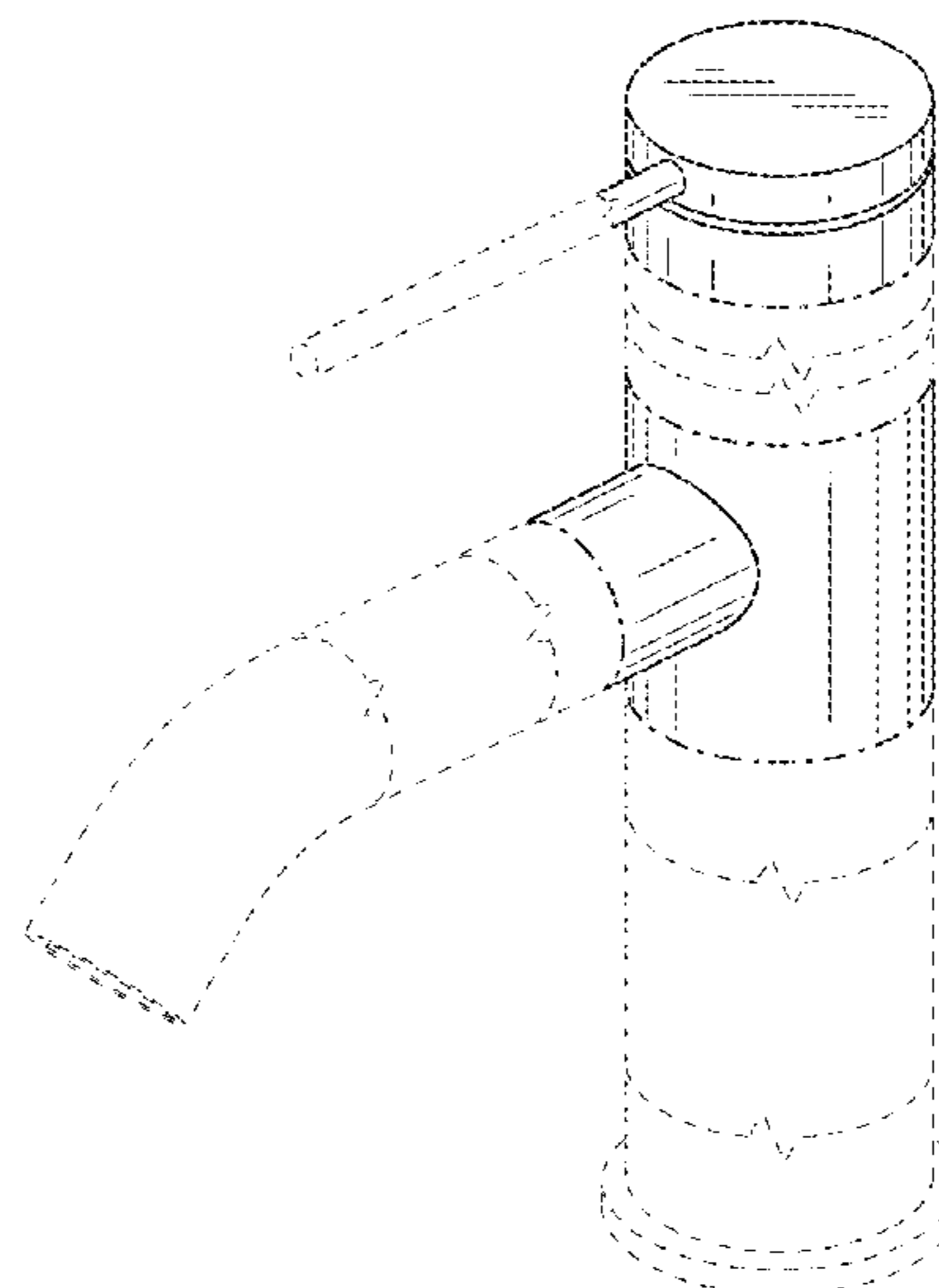
**DESCRIPTION**

FIG. 1 is a top, front, right perspective view of the claimed design;  
FIG. 2 is a right side elevation view thereof;  
FIG. 3 is a left side elevation view thereof;  
FIG. 4 is a front elevation view thereof;  
FIG. 5 is a rear elevation view thereof;  
FIG. 6 is a top plan view thereof; and,  
FIG. 7 is a bottom plan view thereof.  
The ornamental design which is claimed is shown in solid lines in the drawings. The broken lines in the drawings are for illustrative purposes only and form no part of the claimed design. Broken lines formed by equal length dashes show unclaimed subject matter.

(56) **References Cited**  
U.S. PATENT DOCUMENTS

D59,314 S 10/1921 Winsen  
D63,931 S 2/1924 Bowden  
D110,995 S 8/1938 Bellem, Jr.  
D127,734 S 6/1941 Dreyfuss  
D254,265 S 2/1980 Karamian  
4,499,630 A 2/1985 Harris  
D279,213 S 6/1985 Paul

**1 Claim, 4 Drawing Sheets**



(56)

## References Cited

## U.S. PATENT DOCUMENTS

- |            |         |                     |            |         |                        |
|------------|---------|---------------------|------------|---------|------------------------|
| D441,844 S | 5/2001  | Fleischmann         | D673,652 S | 1/2013  | Thomas                 |
| D441,845 S | 5/2001  | Fleischmann         | D676,531 S | 2/2013  | Vibe-Petersen          |
| D442,263 S | 5/2001  | Warshawsky et al.   | D697,589 S | 1/2014  | Georgeson              |
| D454,513 S | 3/2002  | Gueit               | D698,420 S | 1/2014  | Hahn                   |
| D462,421 S | 9/2002  | Hundley             | D704,802 S | 5/2014  | Hahn et al.            |
| D466,977 S | 12/2002 | Cummings            | D705,892 S | 5/2014  | Standefer et al.       |
| D467,489 S | 12/2002 | Rubinson            | D713,008 S | 9/2014  | Citterio               |
| D469,157 S | 1/2003  | Lobermeier          | D713,236 S | 9/2014  | Park                   |
| D479,309 S | 9/2003  | Haug et al.         | D714,915 S | 10/2014 | Von Der Lancken et al. |
| D487,586 S | 3/2004  | Haug et al.         | D722,259 S | 2/2015  | Conner                 |
| D487,924 S | 3/2004  | Lin                 | D724,698 S | 3/2015  | Kulig                  |
| D490,881 S | 6/2004  | Lin                 | D726,883 S | 4/2015  | Flowers et al.         |
| D513,060 S | 12/2005 | Ouyoung             | D735,297 S | 7/2015  | Sieger                 |
| D516,677 S | 3/2006  | Haug et al.         | D750,203 S | 2/2016  | Flowers et al.         |
| D526,883 S | 8/2006  | Gilbert             | D754,295 S | 4/2016  | Lord                   |
| D527,794 S | 9/2006  | Sieger              | D755,350 S | 5/2016  | Rexach                 |
| D528,189 S | 9/2006  | Kulig               | D755,352 S | 5/2016  | Mitsuoka               |
| D531,277 S | 10/2006 | Tsai                | D758,545 S | 6/2016  | Yabu et al.            |
| D531,698 S | 11/2006 | Wood et al.         | D761,387 S | 7/2016  | Yabu et al.            |
| D531,702 S | 11/2006 | Haug et al.         | D767,724 S | 9/2016  | Flowers et al.         |
| D535,725 S | 1/2007  | Chu et al.          | D769,417 S | 10/2016 | Rexach                 |
| D536,065 S | 1/2007  | Wang                | D771,224 S | 11/2016 | Flowers et al.         |
| D541,383 S | 4/2007  | Green               | D772,037 S | 11/2016 | Zimmer                 |
| D541,909 S | 5/2007  | Schoenherr et al.   | D781,126 S | 3/2017  | Pionek                 |
| D542,384 S | 5/2007  | Starck              | D786,406 S | 5/2017  | Schoenherr et al.      |
| D543,609 S | 5/2007  | Dolan               | D787,020 S | 5/2017  | Ziemann et al.         |
| D548,563 S | 8/2007  | Hoernig             | D787,638 S | 5/2017  | Schoenherr et al.      |
| D564,073 S | 3/2008  | Shieh               | D793,534 S | 8/2017  | Fritz                  |
| D568,447 S | 5/2008  | Lai                 | D803,989 S | 11/2017 | Flowers et al.         |
| D568,715 S | 5/2008  | Gustafson et al.    | D807,476 S | 1/2018  | Haug et al.            |
| D571,893 S | 6/2008  | Celli               | D811,529 S | 2/2018  | Schoenherr et al.      |
| D580,014 S | 11/2008 | Citterio            | D811,532 S | 2/2018  | Schoenherr et al.      |
| D581,026 S | 11/2008 | Citterio            | D811,552 S | 2/2018  | Fritz                  |
| D581,494 S | 11/2008 | Dolan et al.        | D813,988 S | 3/2018  | Schoenherr et al.      |
| D584,798 S | 1/2009  | Zetsche et al.      | D813,990 S | 3/2018  | Schoenherr et al.      |
| D584,799 S | 1/2009  | Zetsche et al.      | D820,238 S | 6/2018  | Boshernitzan           |
| D592,284 S | 5/2009  | Lammel et al.       | D827,456 S | 9/2018  | Seum                   |
| D592,733 S | 5/2009  | Lammel et al.       | D855,762 S | 8/2019  | Stuart                 |
| D594,934 S | 6/2009  | Vu et al.           | D879,055 S | 3/2020  | Altonen                |
| D597,175 S | 7/2009  | Kulig               | D882,891 S | 4/2020  | Ayers                  |
| D597,632 S | 8/2009  | Obara et al.        | D890,754 S | 7/2020  | Raken                  |
| D598,072 S | 8/2009  | Zetsche et al.      |            |         |                        |
| D602,570 S | 10/2009 | Lammel et al.       |            |         |                        |
| D603,022 S | 10/2009 | Schoenherr          |            |         |                        |
| D608,863 S | 1/2010  | Pan                 |            |         |                        |
| D615,162 S | 5/2010  | Pan                 |            |         |                        |
| D622,820 S | 8/2010  | Bouroullec et al.   |            |         |                        |
| D624,991 S | 10/2010 | Kulig               |            |         |                        |
| D627,858 S | 11/2010 | Hanna               |            |         |                        |
| D627,861 S | 11/2010 | Sandee              |            |         |                        |
| D631,726 S | 2/2011  | Sanchez             |            |         |                        |
| D635,651 S | 4/2011  | Schoenherr et al.   |            |         |                        |
| D636,061 S | 4/2011  | Kulig               |            |         |                        |
| D636,062 S | 4/2011  | Rubin et al.        |            |         |                        |
| D637,271 S | 5/2011  | Lin                 |            |         |                        |
| D641,456 S | 7/2011  | Bickerstaffe et al. |            |         |                        |
| D643,095 S | 8/2011  | Matsuura et al.     |            |         |                        |
| D644,912 S | 9/2011  | Benhold             |            |         |                        |
| D655,786 S | 3/2012  | Fukasawa            |            |         |                        |
| D666,276 S | 8/2012  | Fritz               |            |         |                        |

## OTHER PUBLICATIONS

Amazon, JewelryWE Multi faceted ring, posted Jul. 13, 2013, [online], [visited Aug. 23, 2019]. Internet, URL: [https://www.amazon.co.uk/JewelryWe-Arrivals-Comfort-Faceted-Engagement/dp/B00DU9FOUE/ref=cm\\_cr\\_ar\\_p\\_d\\_pdt\\_img\\_top?ie=UTF8](https://www.amazon.co.uk/JewelryWe-Arrivals-Comfort-Faceted-Engagement/dp/B00DU9FOUE/ref=cm_cr_ar_p_d_pdt_img_top?ie=UTF8) (Year: 2013).

Amazon, Tioneer Multi-faceted wedding band, posted Oct. 24, 2012, [online], [visited Aug. 23, 2019]. Internet, URL: [https://www.amazon.co.uk/Tungsten-Carbide-Polish-Multi-Faceted-Wedding/dp/B005IRP244/ref=cm\\_cr\\_ar\\_p\\_d\\_pdt\\_img\\_top?ie=UTF8](https://www.amazon.co.uk/Tungsten-Carbide-Polish-Multi-Faceted-Wedding/dp/B005IRP244/ref=cm_cr_ar_p_d_pdt_img_top?ie=UTF8) (Year: 2012).

Hotel Management, Classy faucet: The Wheel by Waterstone, posted Sep. 29, 2016, [online], [visited Aug. 23, 2019]. Internet, URL: <https://www.hotelmanagement.net/design-trends/classy-faucet-wheel-by-waterstone> (Year: 2016).

Non-Final Office Action on U.S. Appl. No. 29/658,297 dated Sep. 5, 2019 (9 pages).

Notice of Allowance on U.S. Appl. No. 29/641,444 dated Sep. 17, 2019 (8 pages).

NPL\_ALLMODERN\_SINGLE\_HANDLE; 6 pgs.

NPL\_ALLMODERN\_SINGLE\_HANDLE\_BATHROOM; 6pgs.

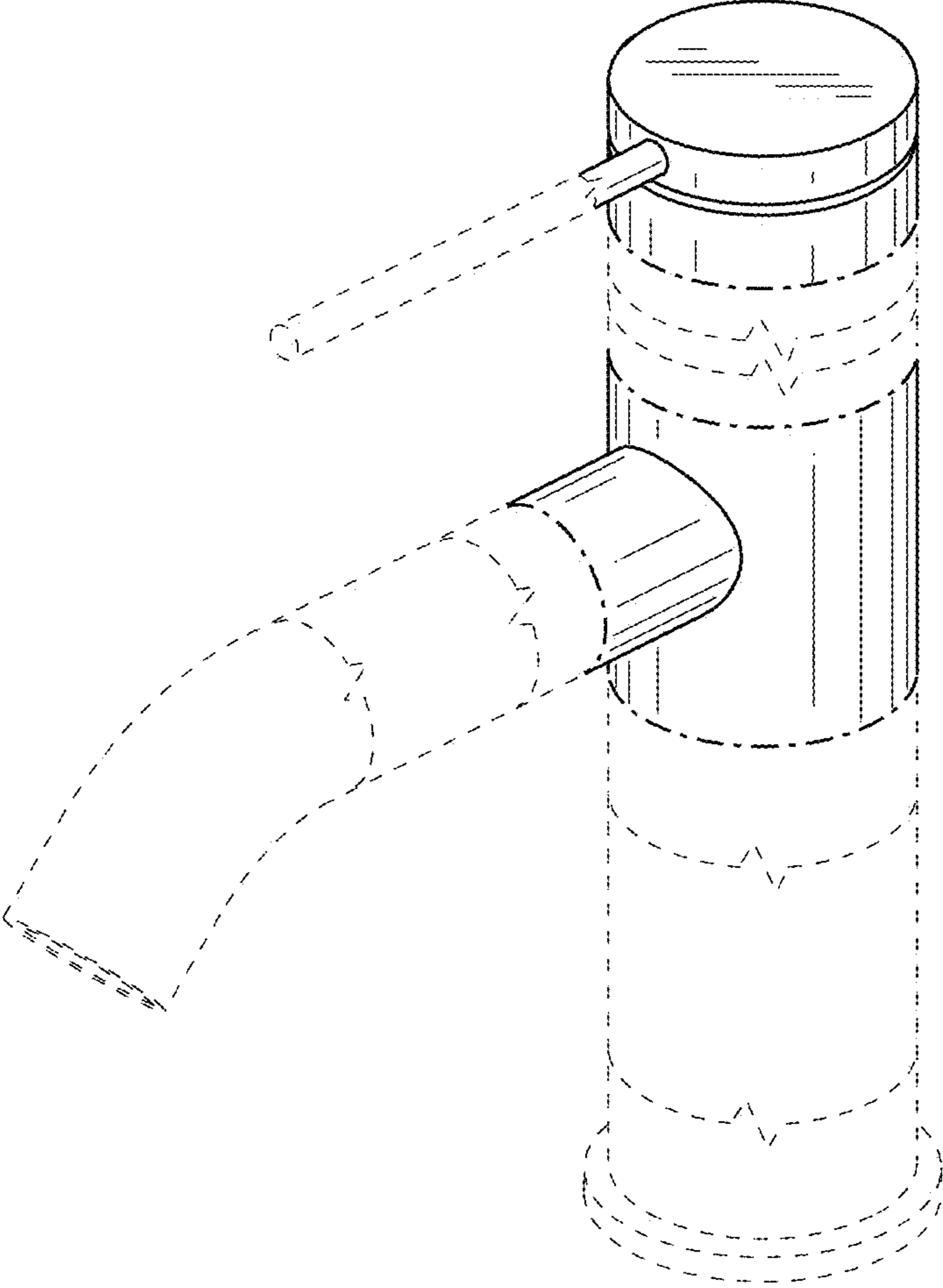


FIG. 1



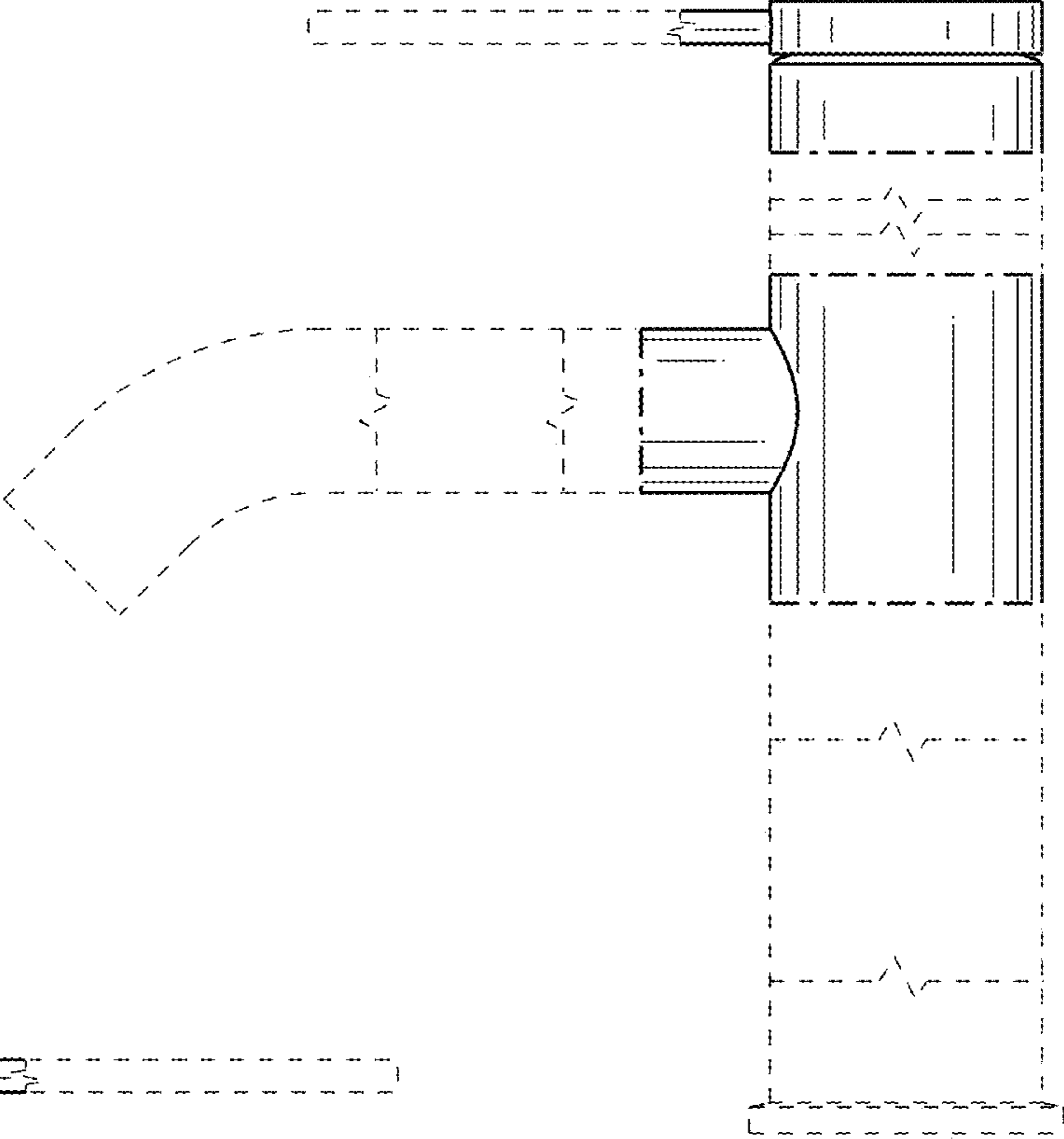


FIG. 2

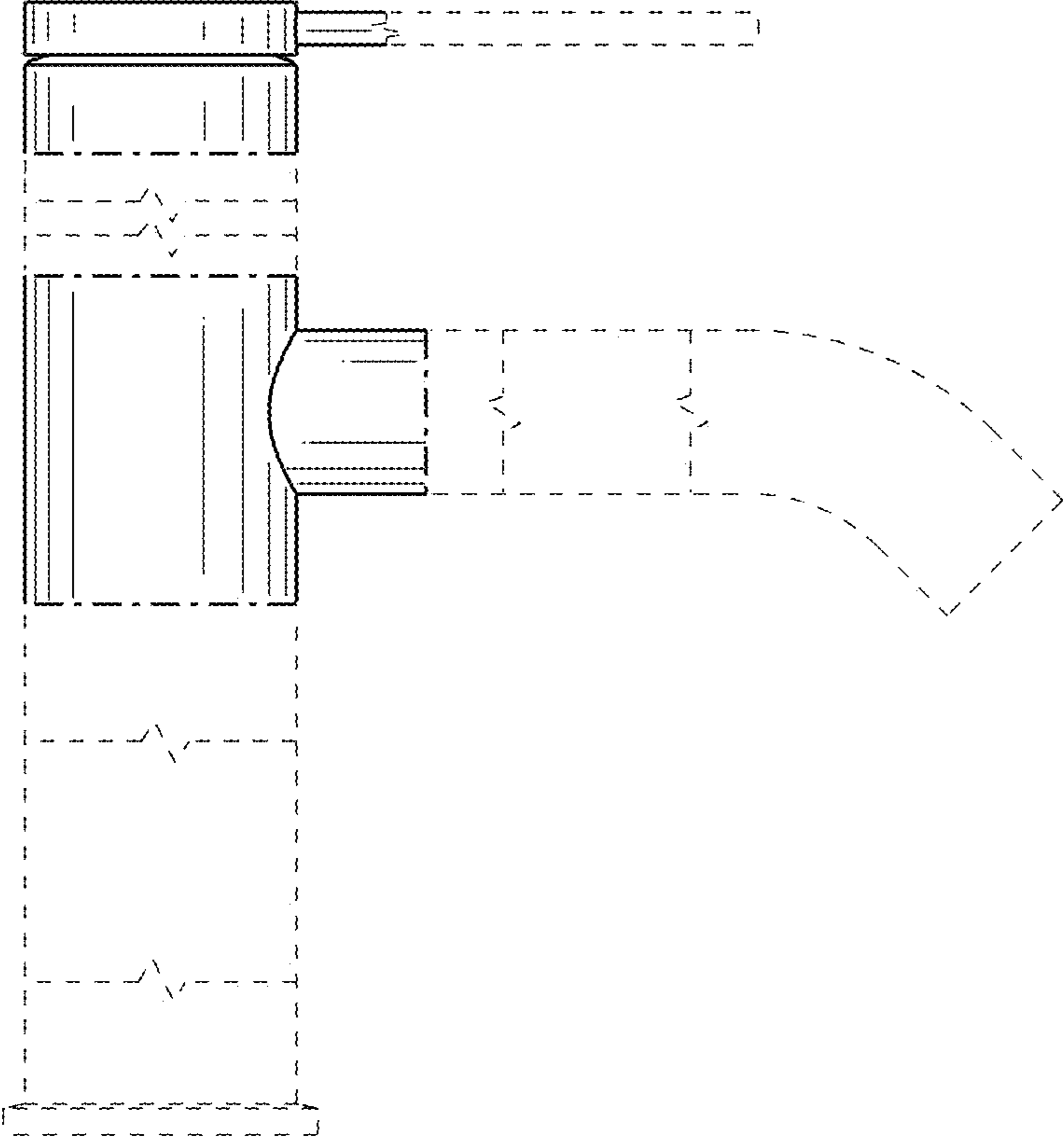


FIG. 3

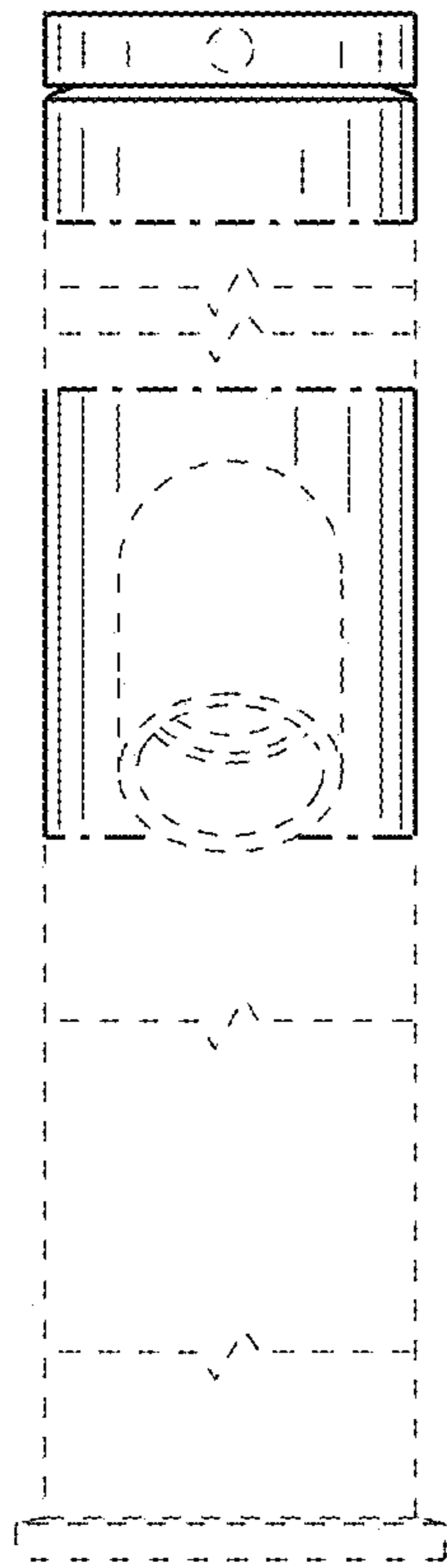


FIG. 4

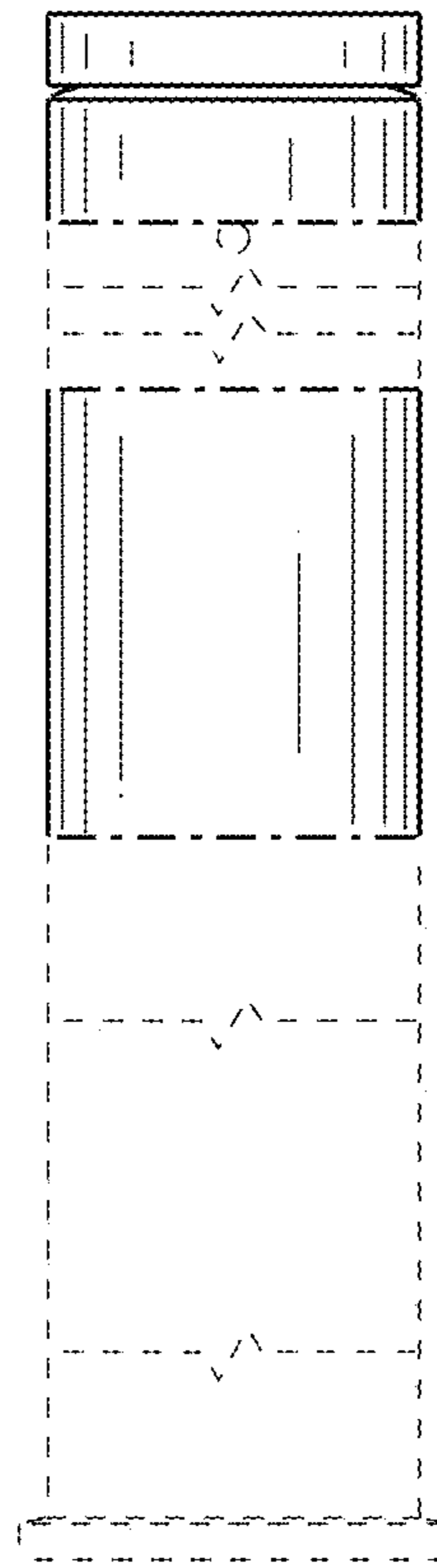


FIG. 5

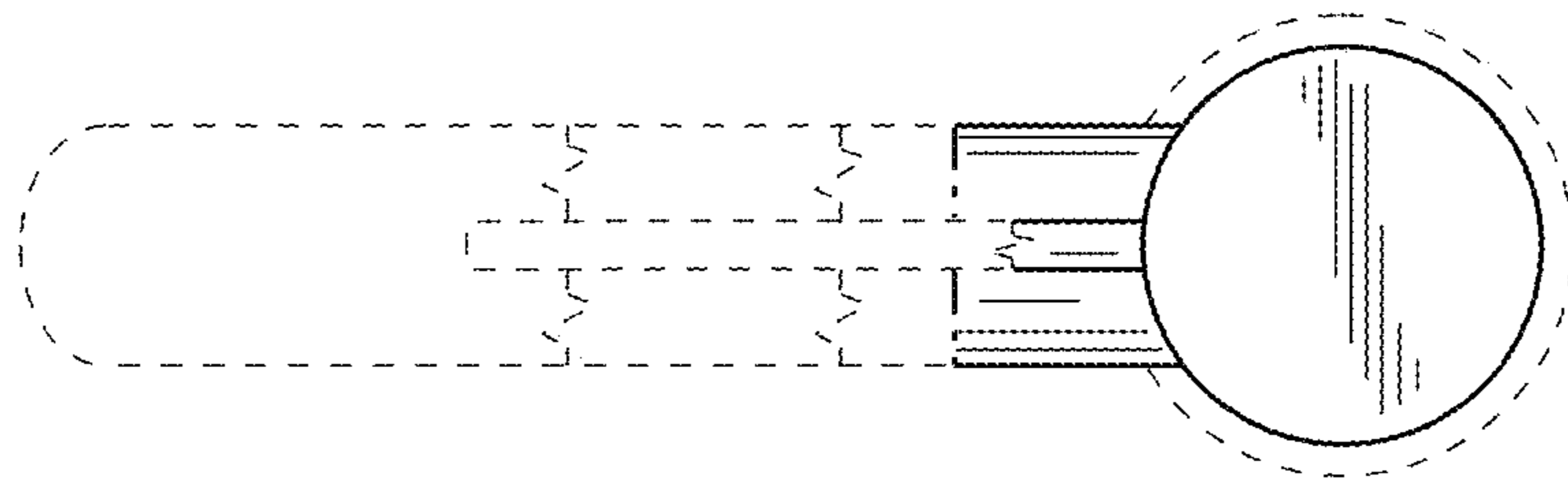


FIG. 6

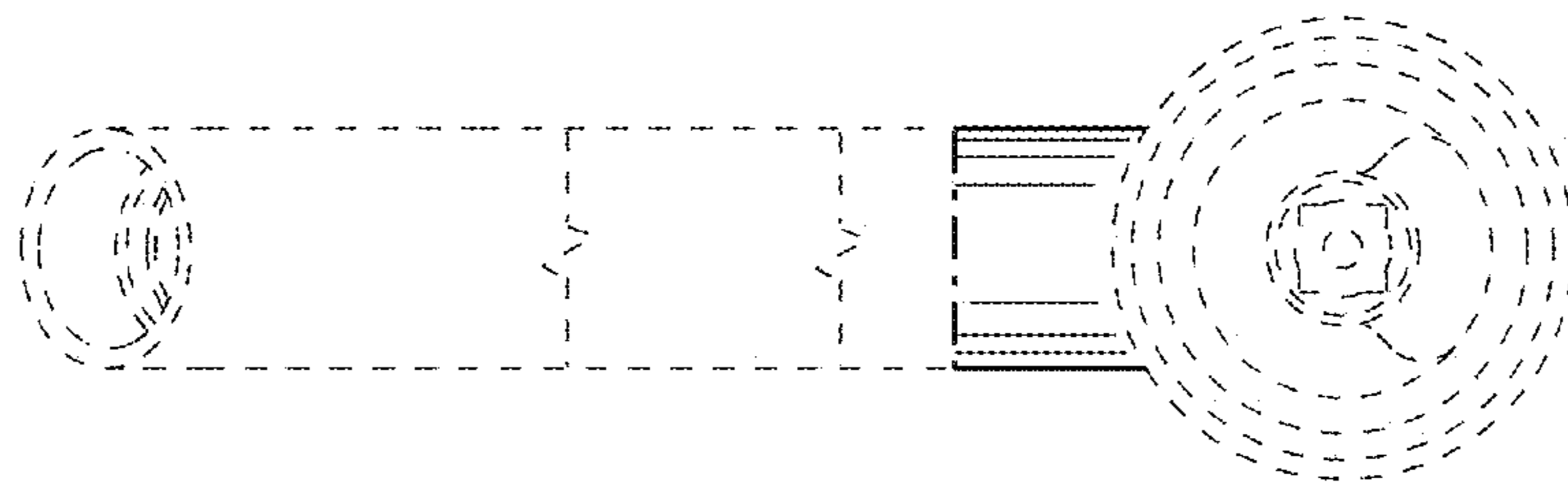


FIG. 7