



US00D950681S

(12) **United States Design Patent** (10) **Patent No.:** **US D950,681 S**
Middlebrook (45) **Date of Patent:** **** May 3, 2022**

(54) **PRESSURE RELIEF VALVE** 6,076,799 A 6/2000 Baumann
6,334,460 B1 1/2002 Hem
(71) Applicant: **Vortech Engineering, Inc.**, Oxnard, CA (US) 6,775,990 B2 8/2004 Swinford
7,373,915 B1 5/2008 Joniec
7,665,714 B2 2/2010 Stumbo
(72) Inventor: **James Middlebrook**, Camarillo, CA (US) 8,474,256 B2 7/2013 Kamen
8,613,198 B2 12/2013 Swinford
8,763,391 B2 7/2014 Kamen
8,881,762 B2 11/2014 Johnson
(73) Assignee: **Vortech Engineering, Inc.**, Oxnard, CA (US) 9,249,892 B2 2/2016 Klippert
9,435,455 B2 9/2016 Peret
9,476,282 B2 10/2016 Anton
D876,587 S * 2/2020 Young D23/235
(**) Term: **15 Years** 10,907,744 B1 2/2021 Middlebrook
11,149,867 B1 * 10/2021 Middlebrook F16K 27/0209
(21) Appl. No.: **29/788,923** 2008/0302538 A1 12/2008 Hofman
2011/0146601 A1 6/2011 Fisher
(22) Filed: **Aug. 13, 2021** 2012/0111574 A1 5/2012 Desranleau
2016/0003005 A1 1/2016 Pickle
(51) **LOC (13) Cl.** **23-01** 2016/0061370 A1 3/2016 Gennasio
(52) **U.S. Cl.** 2016/0084434 A1 3/2016 Janway
USPC **D23/235**
(58) **Field of Classification Search**
USPC D23/233, 235, 237, 241, 244, 247, 248
CPC F16K 17/06; F16K 17/048; F16K 24/04;
F16K 27/02; F16K 17/065; F16K 27/0209
See application file for complete search history.

* cited by examiner

Primary Examiner — Gino Colan

(57) **CLAIM**

The ornamental design for a pressure relief valve, as shown and described.

(56) **References Cited**

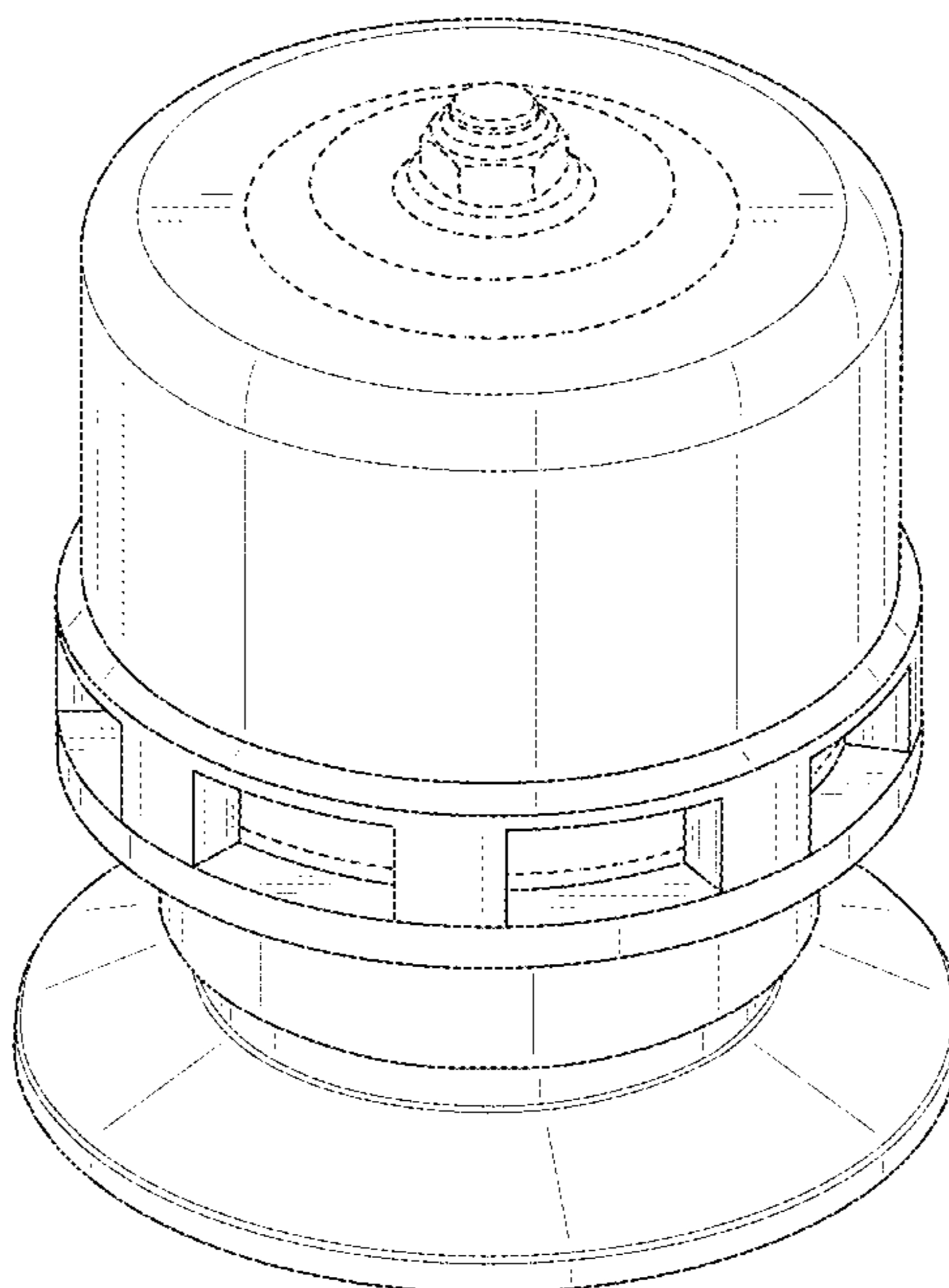
U.S. PATENT DOCUMENTS

1,743,350 A 1/1930 Hopkins
3,359,998 A 12/1967 Fike
3,480,746 A 11/1969 Fry
3,552,713 A 1/1971 Kleeberg
3,643,583 A 2/1972 Fritz
3,675,751 A 7/1972 Fortner
3,695,300 A 10/1972 Bradel
3,705,594 A 12/1972 Placek
4,545,560 A 10/1985 Marcadet
4,958,656 A 9/1990 Patel
5,924,671 A 7/1999 Baumann

DESCRIPTION

FIG. 1 is a perspective view;
FIG. 2 is a right elevation view;
FIG. 3 is a left elevation view;
FIG. 4 is a top plan view; and,
FIG. 5 is a bottom plan view.
The broken line disclosure in parts of the drawings is included for the purpose of illustrating use and environment and forms no part of the claimed design.

1 Claim, 5 Drawing Sheets



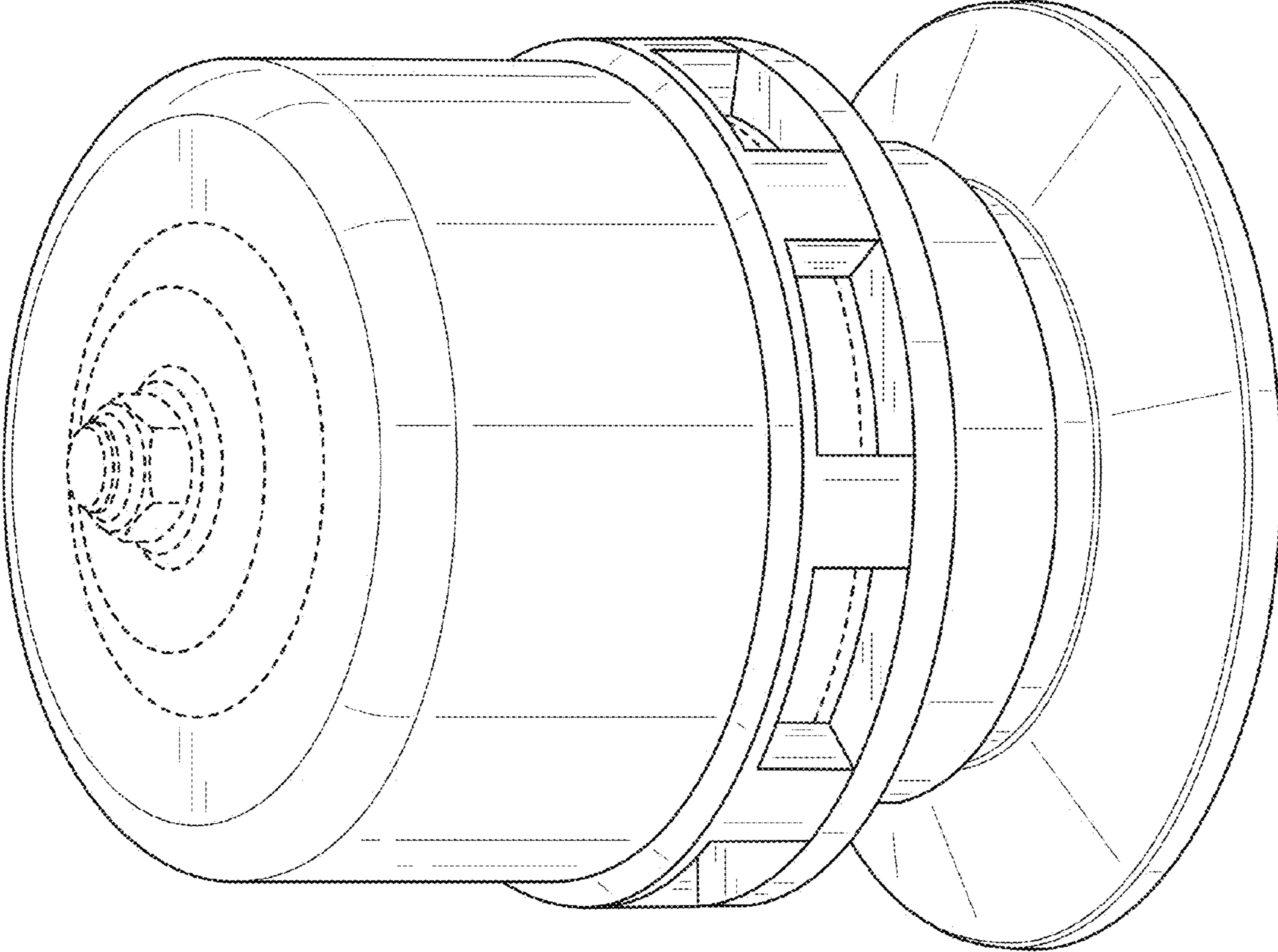


FIG. 1

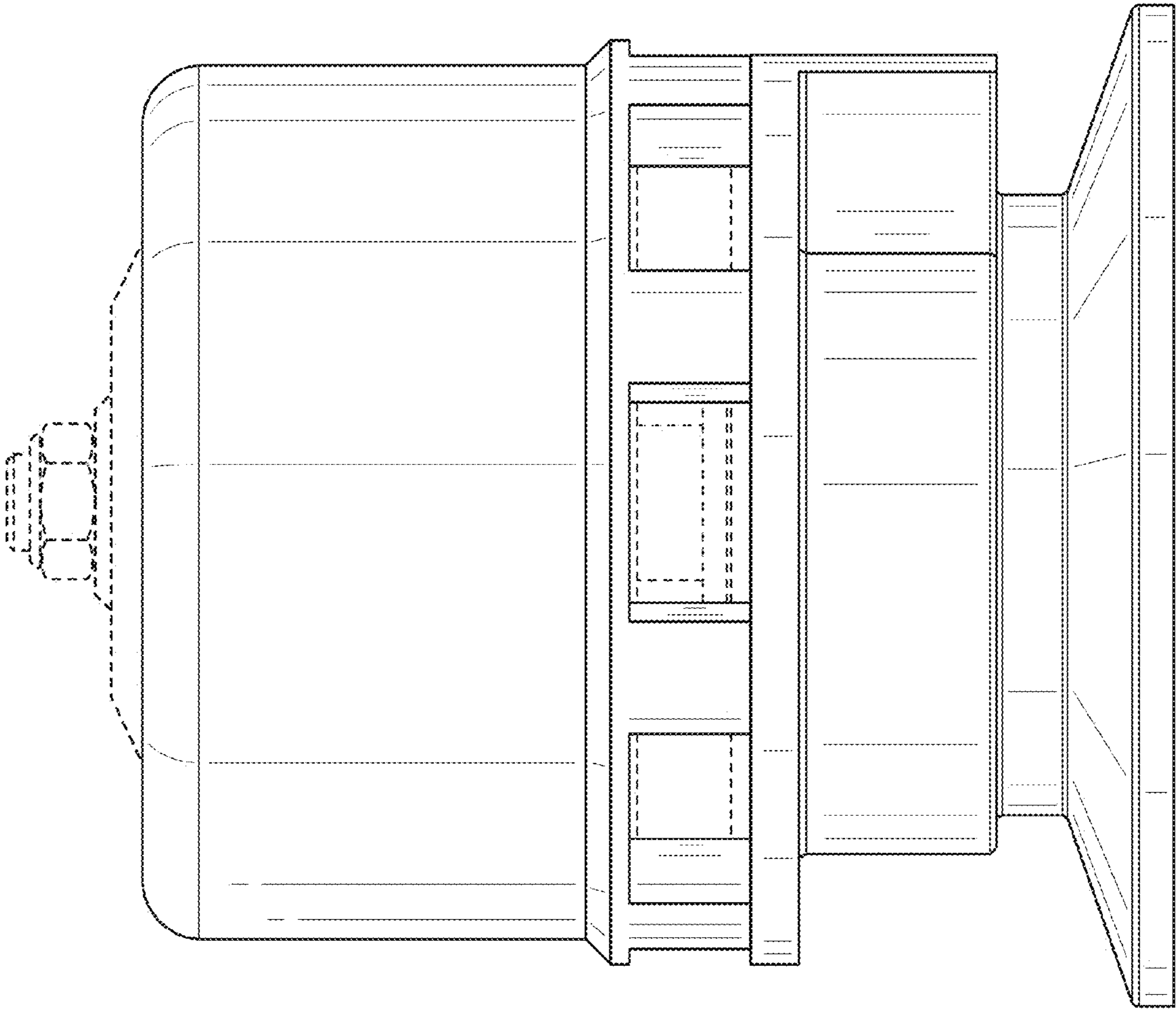


FIG. 2

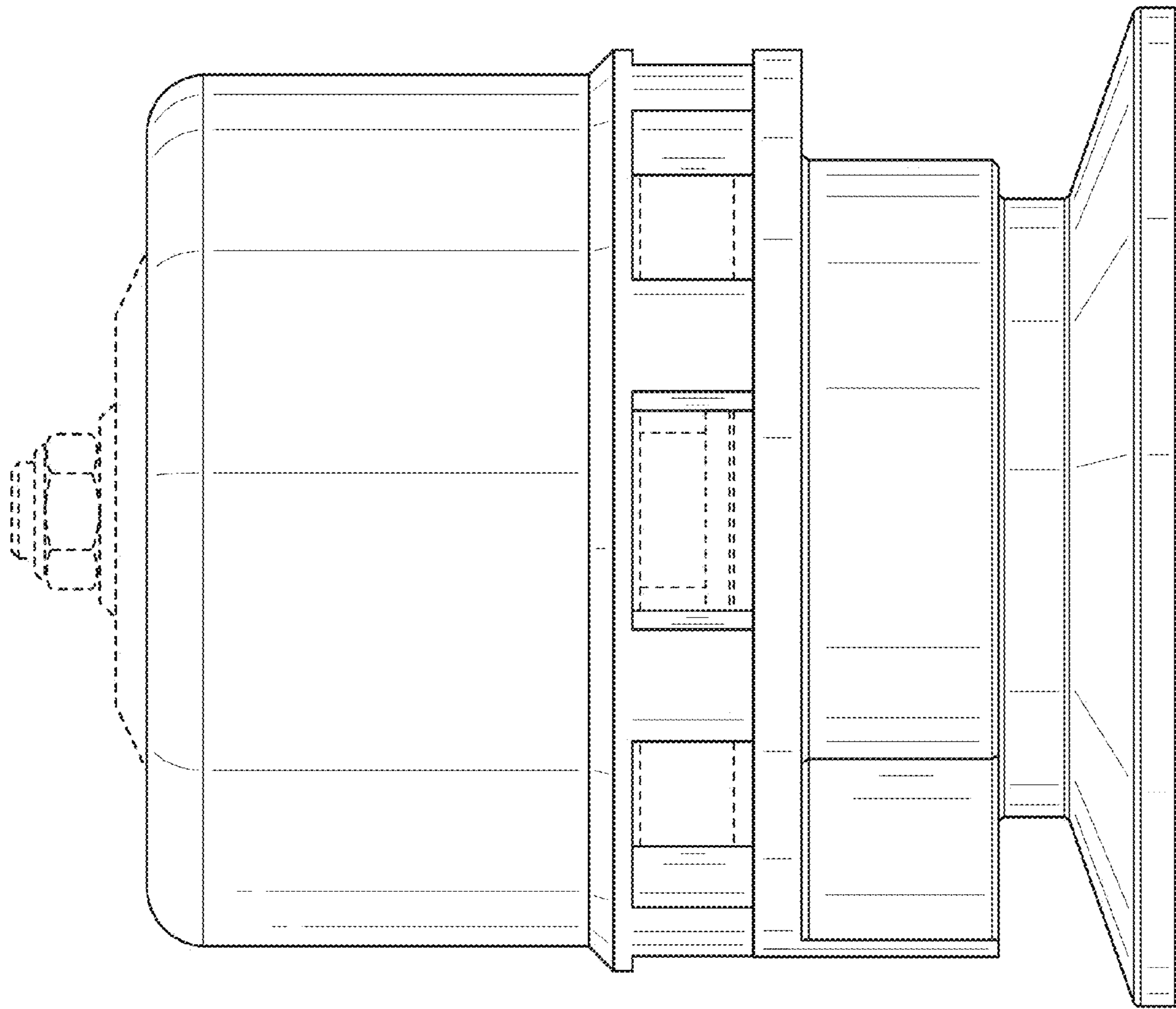


FIG. 3

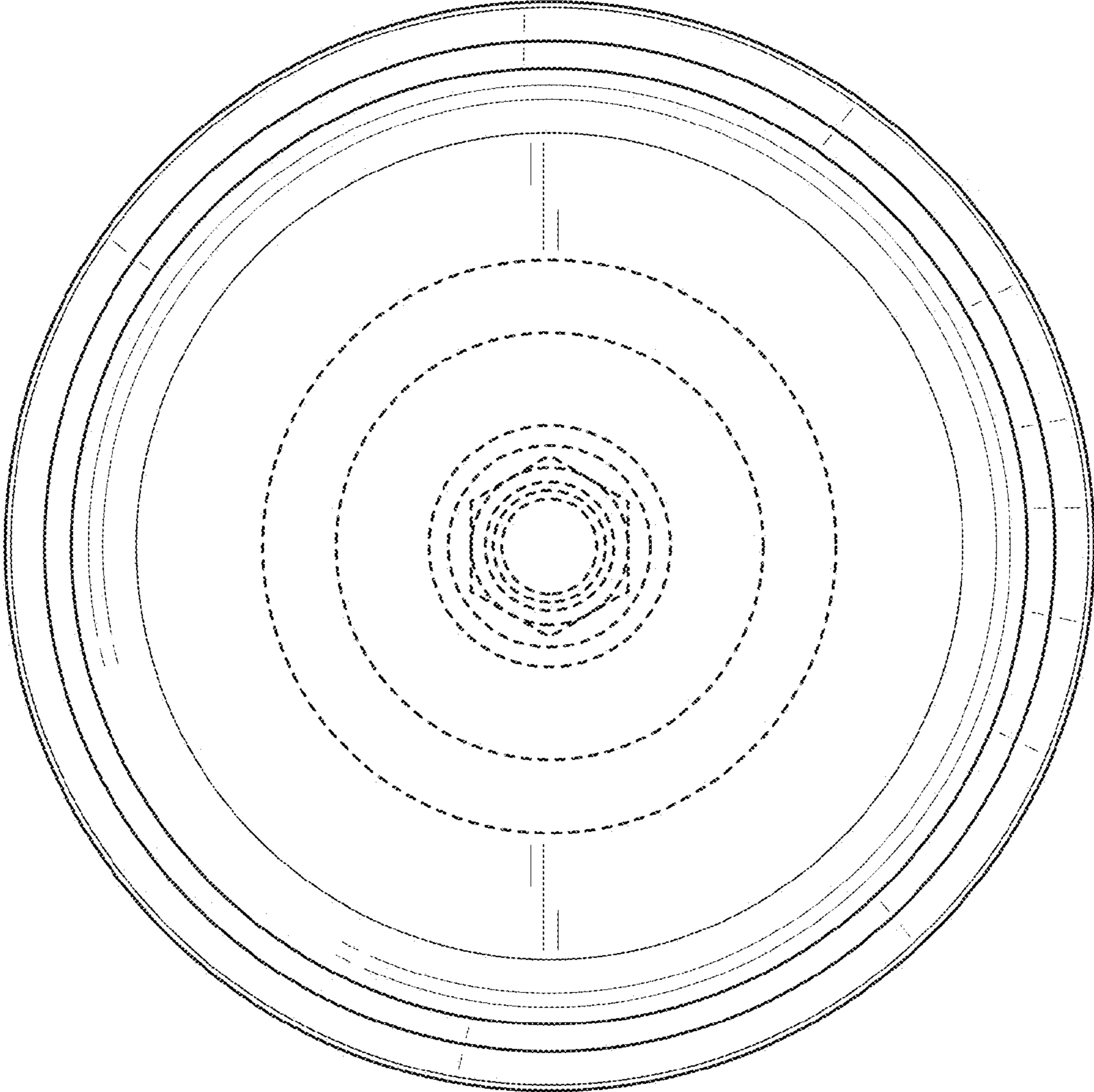


FIG. 4

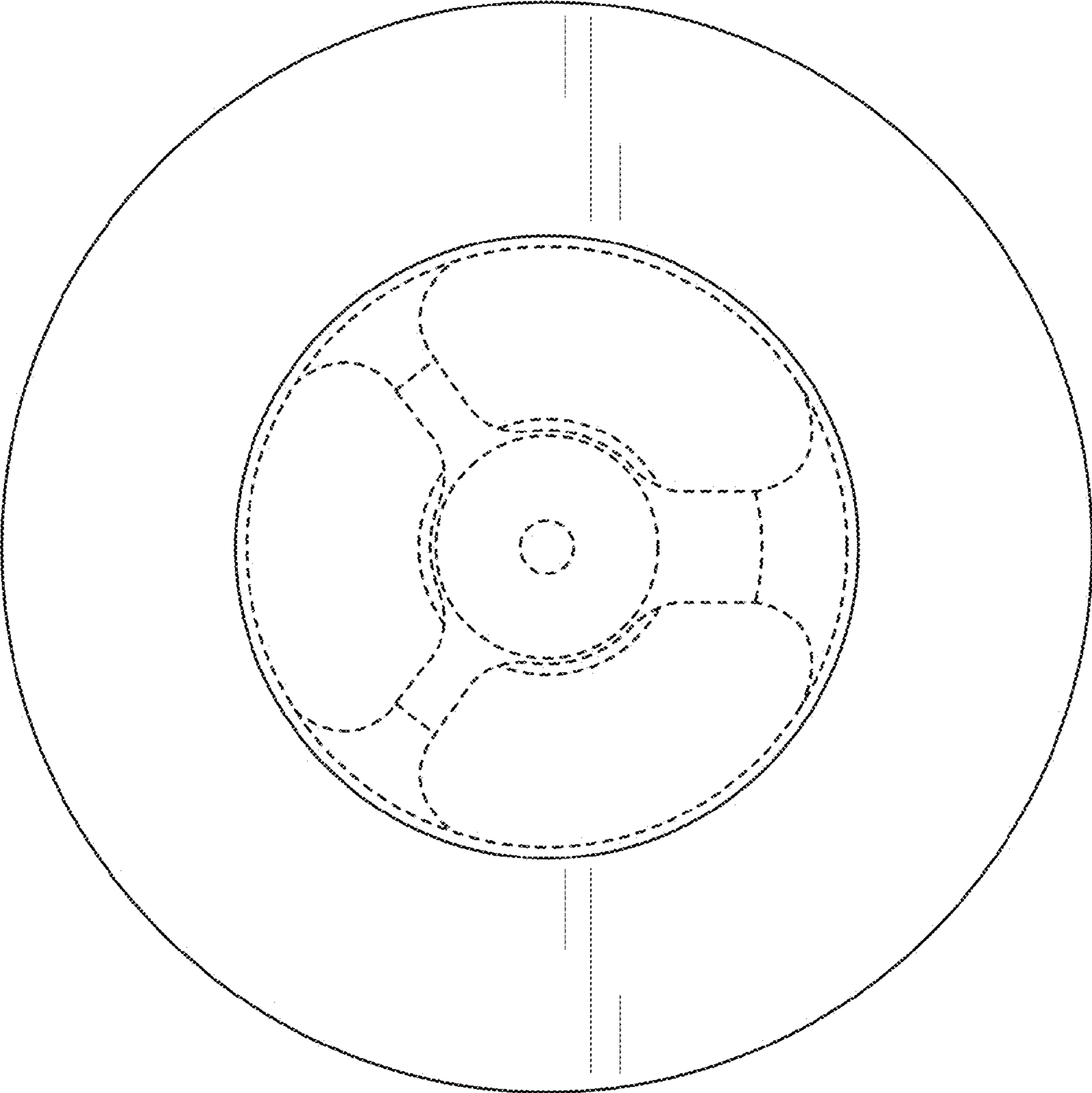


FIG. 5