



US00D950680S

(12) **United States Design Patent** (10) **Patent No.:** **US D950,680 S**  
**Lai et al.** (45) **Date of Patent:** **\*\* May 3, 2022**

(54) **FLUID PRESSURE GUN**

(71) Applicant: **Ming-Hsiao Lai**, Dacun Township, Changhua County (TW)

(72) Inventors: **Ming-Hsiao Lai**, Dacun Township (TW); **Kuo-Shu Huang**, Changhua (TW)

(\*\*) Term: **15 Years**

(21) Appl. No.: **29/764,896**

(22) Filed: **Jan. 4, 2021**

(51) **LOC (13) Cl.** ..... **23-01**

(52) **U.S. Cl.**  
USPC ..... **D23/226**

(58) **Field of Classification Search**  
USPC ..... D23/213, 214, 215, 222, 223, 224, 226, D23/229, 230, 262; D21/572  
CPC ..... A61H 9/0021; A61H 33/00; B05B 1/00; B05B 1/14; B05B 1/185; B05B 1/08; B05B 1/02; B05B 1/26; B05B 12/002; B05B 1/18; B05B 9/01  
See application file for complete search history.

(56) **References Cited**

**U.S. PATENT DOCUMENTS**

5,156,340	A *	10/1992	Lopes	.....	B05B 12/00
					239/398
6,089,471	A *	7/2000	Scholl	.....	B05B 7/12
					239/416.4
D614,729	S *	4/2010	Cheng	.....	D23/223
D678,427	S *	3/2013	Wilson	.....	D21/572
D681,161	S *	4/2013	Chen	.....	D23/226
D691,700	S *	10/2013	Michael	.....	D23/226
D908,187	S *	1/2021	Tobler	.....	D23/233
D923,749	S *	6/2021	Li	.....	D23/226
D943,059	S *	2/2022	Pierce	.....	D23/213
2010/0092231	A1 *	4/2010	Kao	.....	B05B 1/18
					401/268

**OTHER PUBLICATIONS**

Spray Pen Gravity Feed Dual Action 7CC Airbrush Kit Air Brush Gun, Dec. 14, 2018, amazon.ca, Feb. 9, 2022, URL: https://www.amazon.ca/dp/B07LC5SBCP/ (Year: 2018).\*

Badger Air-Brush Co. Model 105 Patriot Fine Gravity Airbrush, Jul. 8, 2013, amazon.ca, Feb. 9, 2022, URL: https://www.amazon.ca/Badger-Air-Brush-Patriot-Gravity-Airbrush/dp/B002W84GTO (Year: 2013).\*

Iwata-Medea Revolution CR Dual Action / Large Gravity Feed Cup, Apr. 6, 2012, amazon.ca, Feb. 9, 2022, URL: https://www.amazon.ca/Iwata-Medea-Revolution-Action-Large-Gravity/dp/B000BQS3UW (Year: 2012).\*

\* cited by examiner

*Primary Examiner* — Keith J Wilson  
(74) *Attorney, Agent, or Firm* — Egbert, McDaniel & Swartz, PLLC

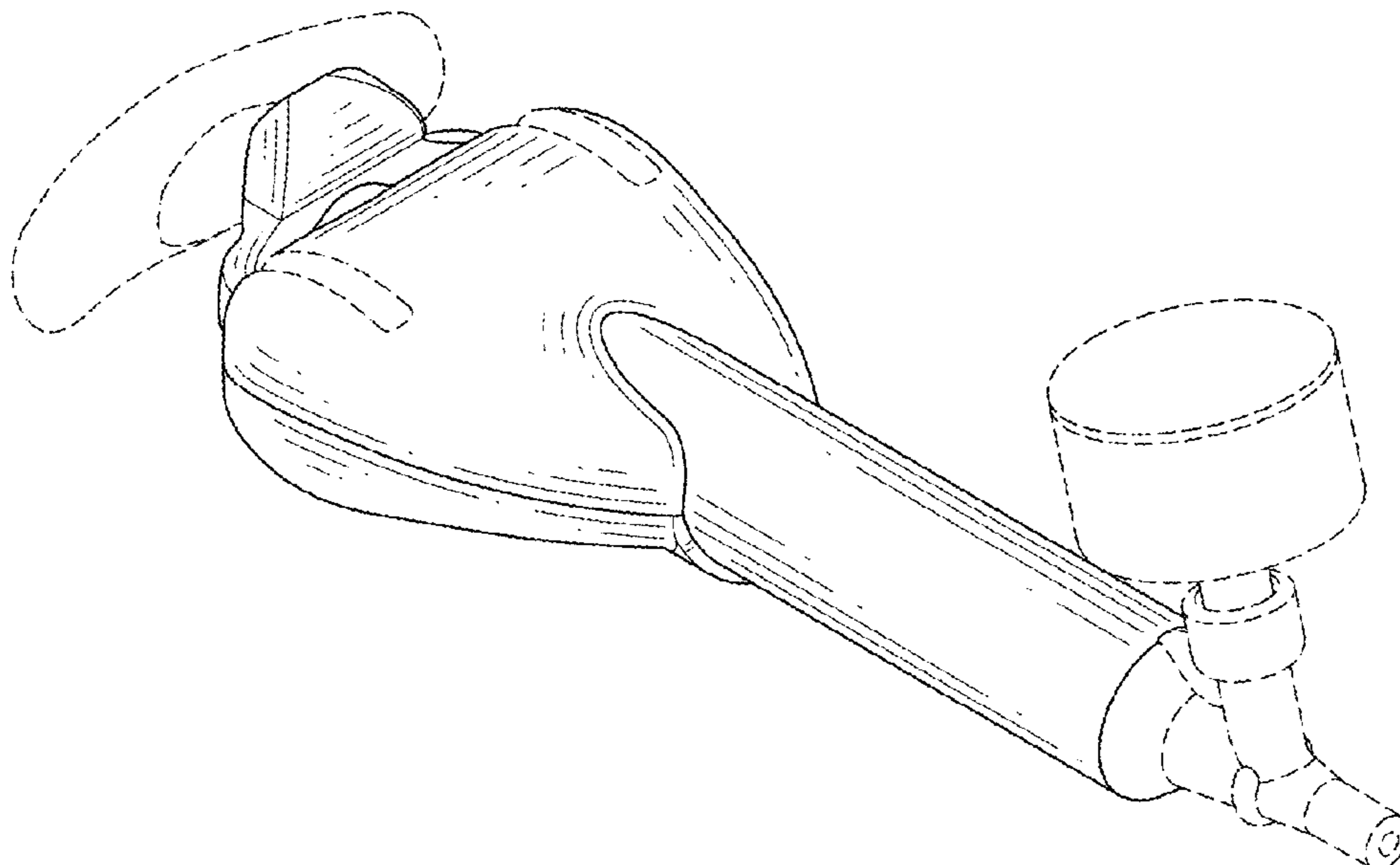
(57) **CLAIM**

The ornamental design for a fluid pressure gun, as shown and described.

**DESCRIPTION**

FIG. 1 is a front perspective view of a fluid pressure gun showing my new design;  
FIG. 2 is a left side view thereof;  
FIG. 3 is a right side view thereof;  
FIG. 4 is a rear view thereof;  
FIG. 5 is a front view thereof;  
FIG. 6 is a top plan view thereof;  
FIG. 7 is a bottom plan view thereof; and,  
FIG. 8 is a rear perspective view thereof.  
The features presented in broken lines illustrate portions of the fluid pressure gun that form no part of the claimed design.

**1 Claim, 8 Drawing Sheets**



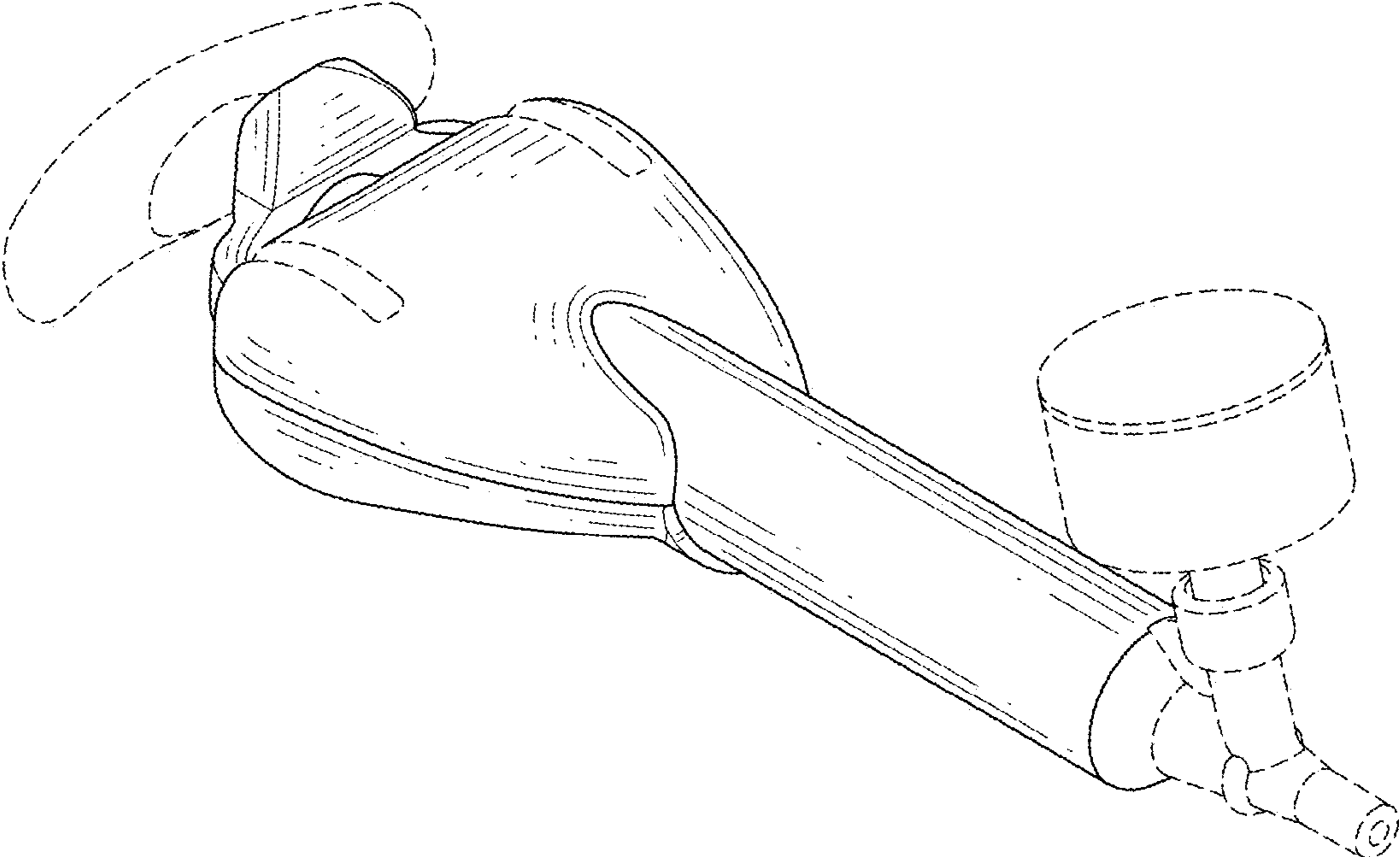


FIG. 1

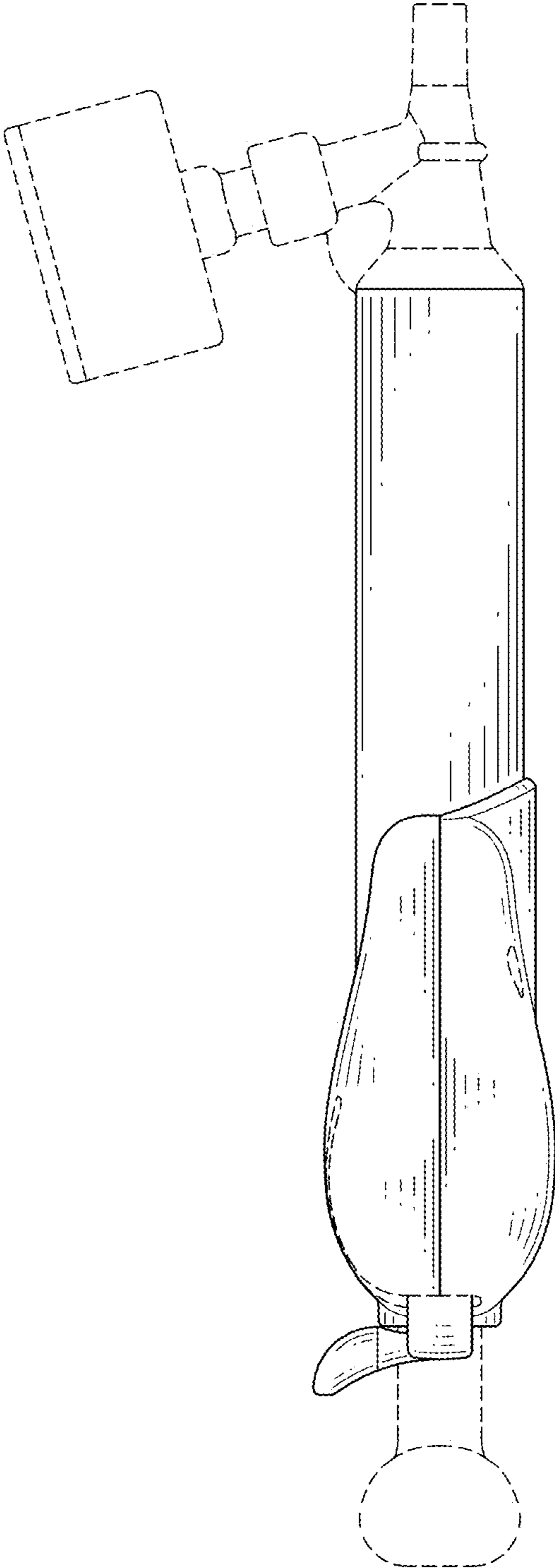


FIG. 2

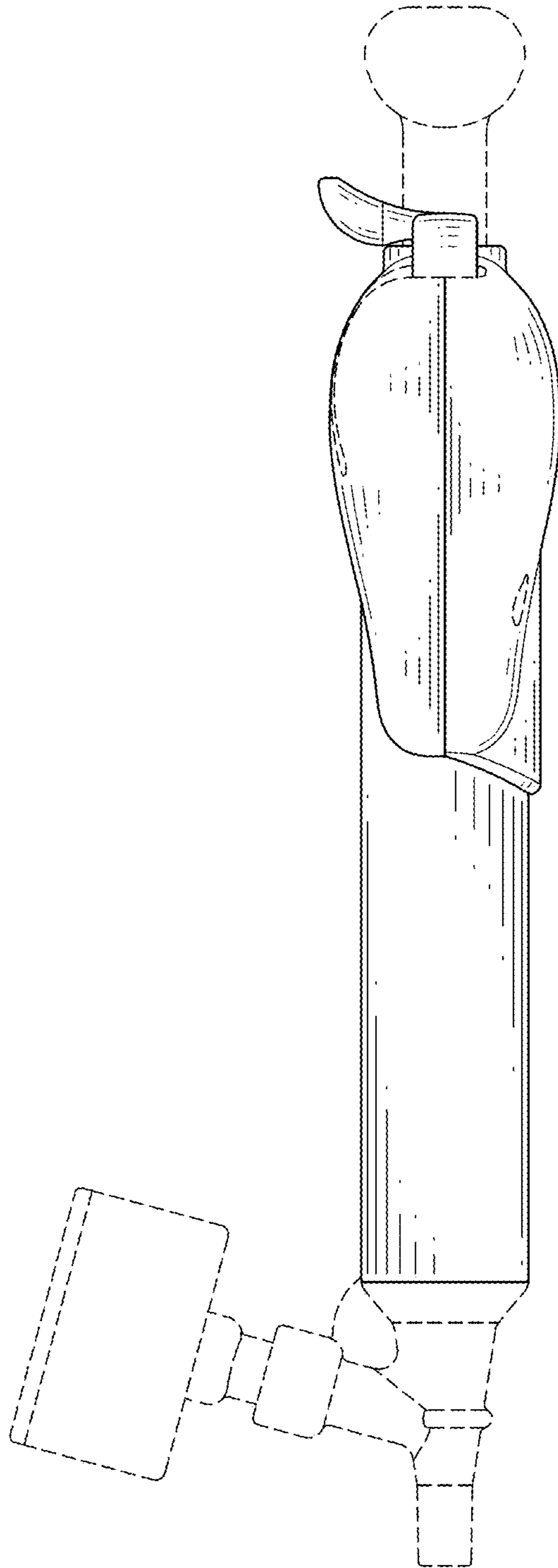


FIG. 3

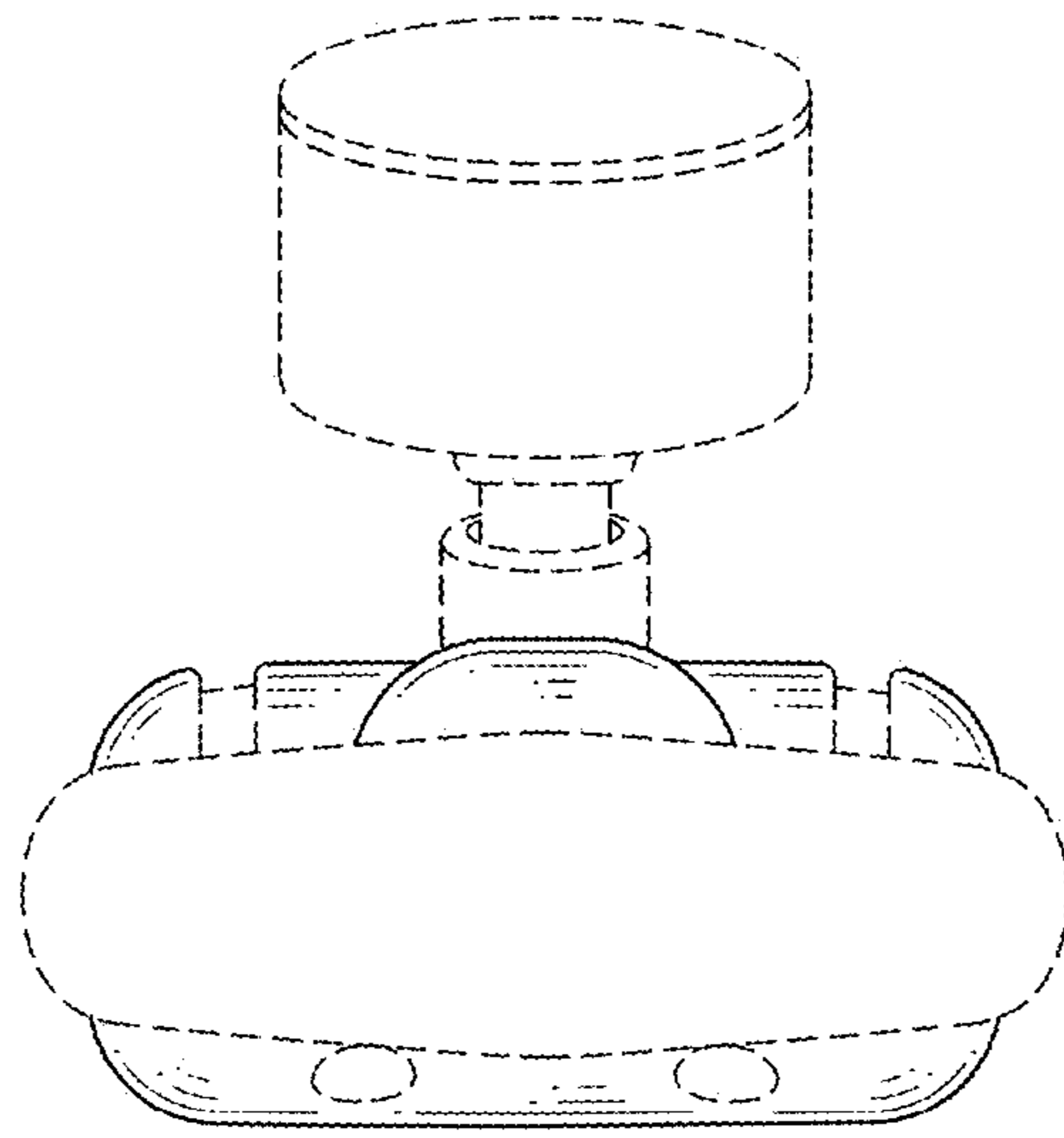


FIG.4

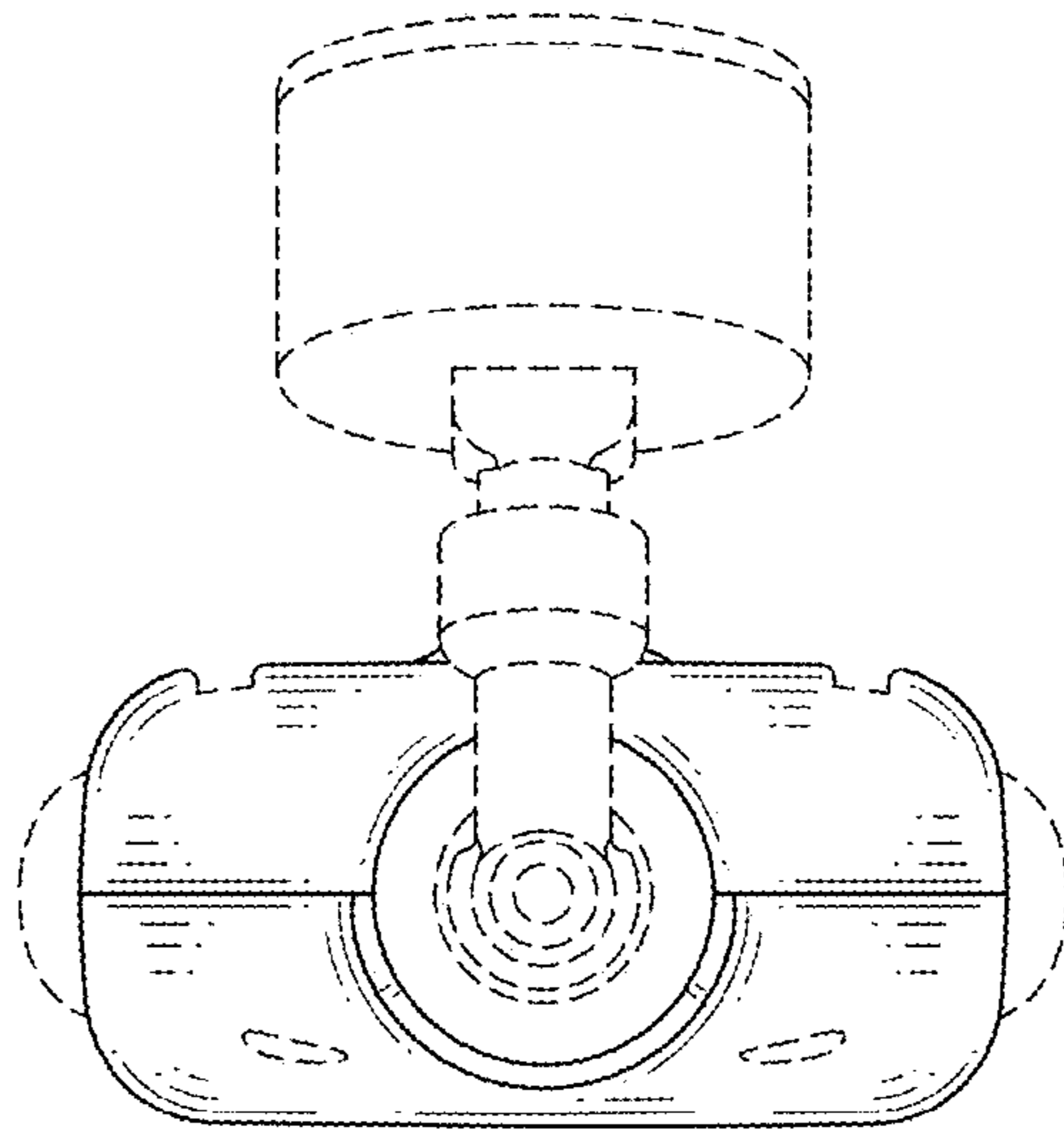


FIG. 5

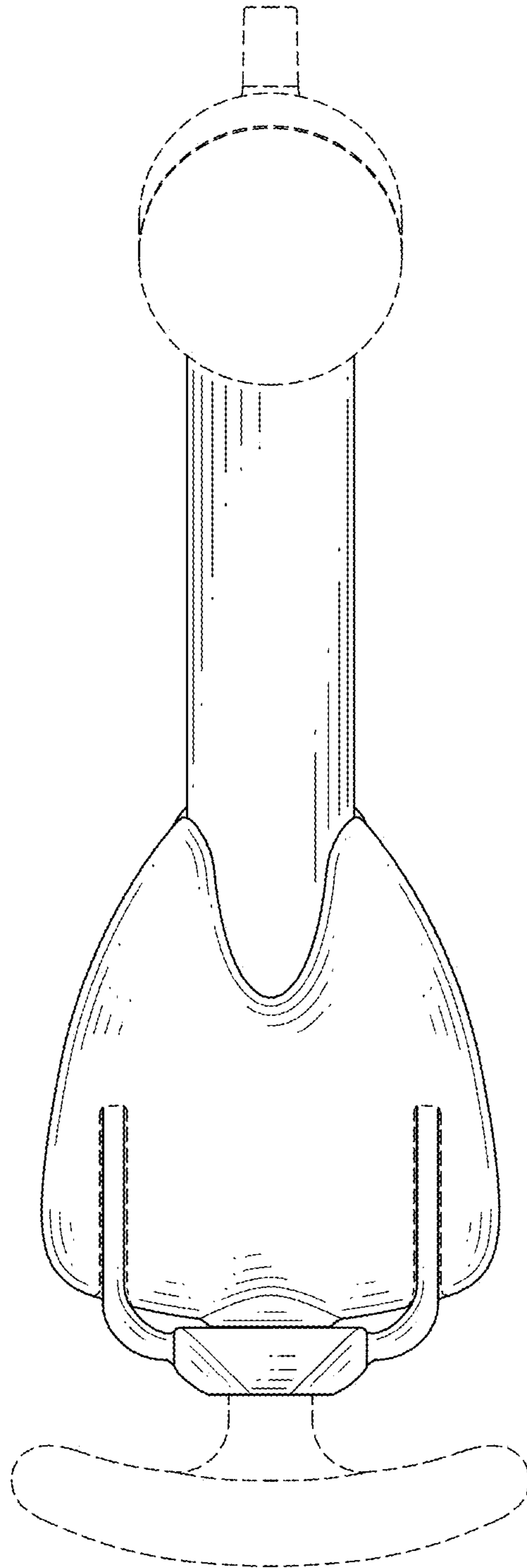


FIG. 6

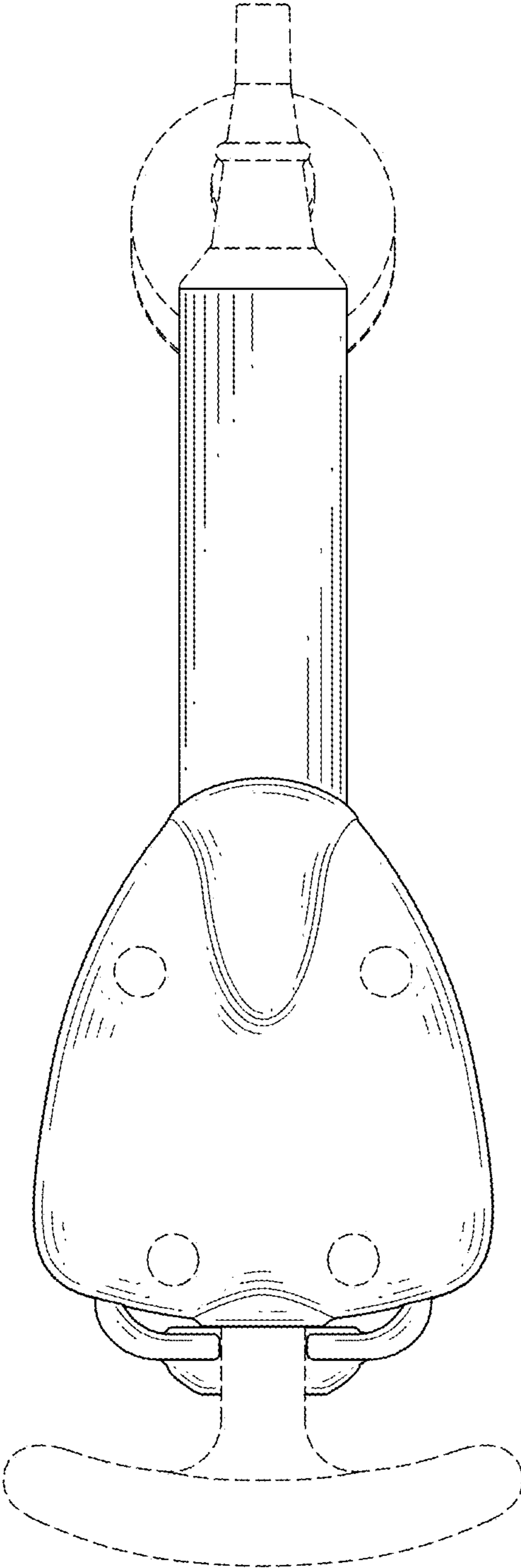


FIG. 7



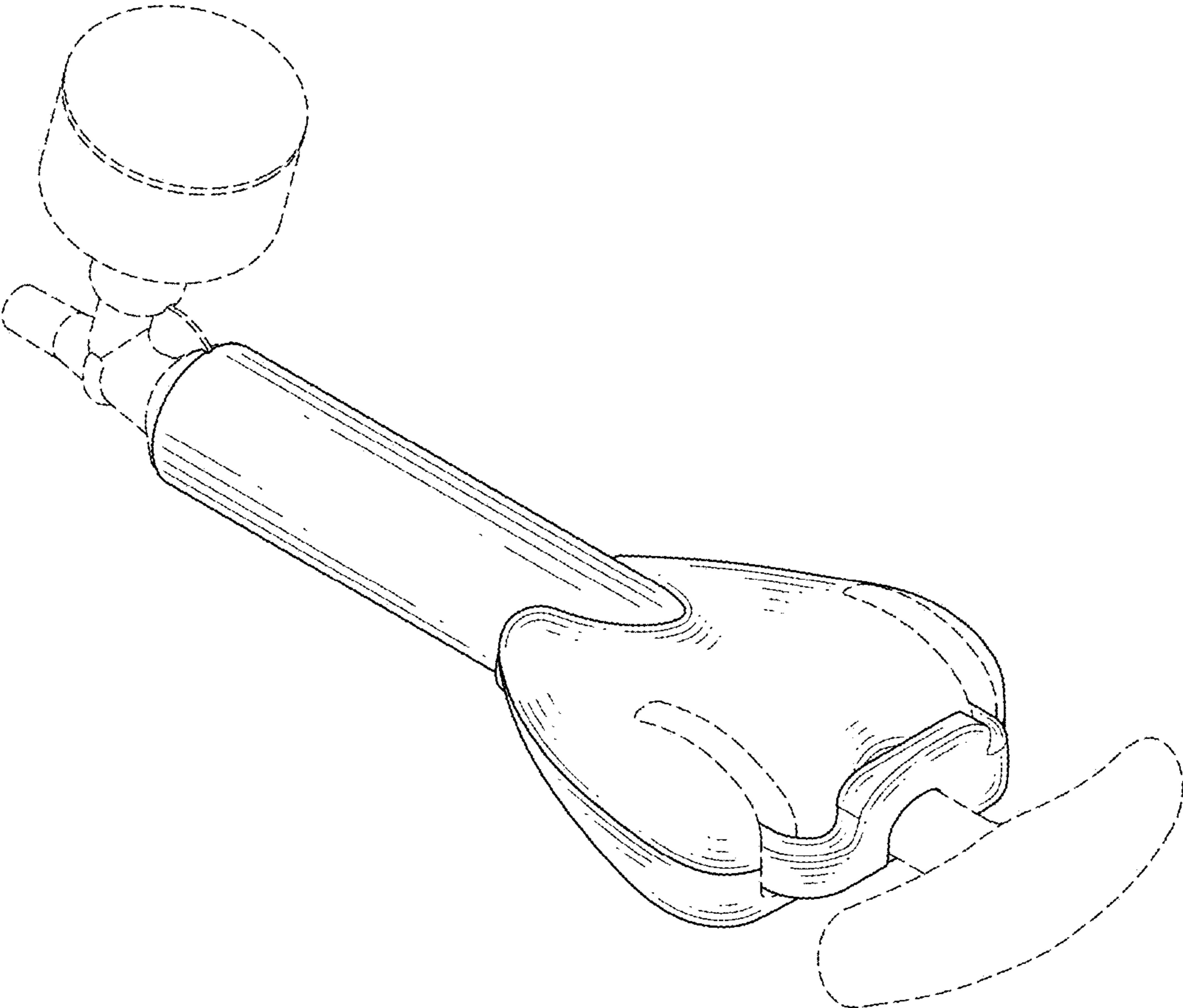


FIG. 8