



US00D950679S

(12) **United States Design Patent**
Wu et al.

(10) **Patent No.:** **US D950,679 S**

(45) **Date of Patent:** **** May 3, 2022**

(54) **PAINT SPRAY GUN**

(71) Applicants: **Hai Wu**, Zhejiang (CN); **Xiaorong Li**,
Zhejiang (CN); **Fazheng Yang**,
Zhejiang (CN)

(72) Inventors: **Hai Wu**, Zhejiang (CN); **Xiaorong Li**,
Zhejiang (CN); **Fazheng Yang**,
Zhejiang (CN)

(73) Assignee: **Zhejiang Rongpeng Air Tools Co.,
Ltd.**, Zhejiang (CN)

(**) Term: **15 Years**

(21) Appl. No.: **29/794,941**

(22) Filed: **Jun. 16, 2021**

(51) **LOC (13) Cl.** **23-01**

(52) **U.S. Cl.**
USPC **D23/225**

(58) **Field of Classification Search**
USPC D23/207, 213, 223, 225, 226, 356, 360;
D15/9
CPC .. B05B 5/025; B05B 5/03; B05B 5/16; B05B
5/1691; B05B 7/0018; B05B 7/0093;
B05B 7/02; B05B 7/06; B05B 7/062;
B05B 7/064; B05B 7/12; B05B 7/129;
B05B 7/24; B05B 7/2475; B05B 7/2478;
B05B 15/60; B05B 15/63; B05B 9/01
See application file for complete search history.

(56) **References Cited**

U.S. PATENT DOCUMENTS

6,749,132 B2 * 6/2004 Pettit B05B 7/0815
239/296
D523,111 S * 6/2006 Huang D23/226
D538,886 S * 3/2007 Huang D23/226
D574,928 S * 8/2008 Huang D23/226
D575,374 S * 8/2008 Huang D23/226
D607,086 S * 12/2009 Kosaka D23/226

8,066,205 B2 * 11/2011 Bass B05B 7/083
239/526
D692,532 S * 10/2013 Li D23/226
D704,300 S * 5/2014 Li D23/225
D757,216 S * 5/2016 Gehrung D23/226
D839,386 S * 1/2019 Ghorbani D23/226
D858,698 S * 9/2019 Arino D23/213
D861,130 S * 9/2019 Carls D23/226
D877,294 S * 3/2020 Johnston D23/226
11,000,872 B2 * 5/2021 Speck B05B 15/557
D927,645 S * 8/2021 Davies D23/226
2003/0230636 A1 * 12/2003 Rogers G01L 19/14
239/71
2007/0272152 A1 * 11/2007 Rogers B05B 7/12
118/710

(Continued)

OTHER PUBLICATIONS

Beetro HVLP Spray Gun, Apr. 23, 2021, Amazon, site visited Sep.
20, 2021: <https://www.amazon.com/dp/B093BWDQXV/> (Year: 2021).*

(Continued)

Primary Examiner — Jack Reickel
Assistant Examiner — Bobby W Jones, II

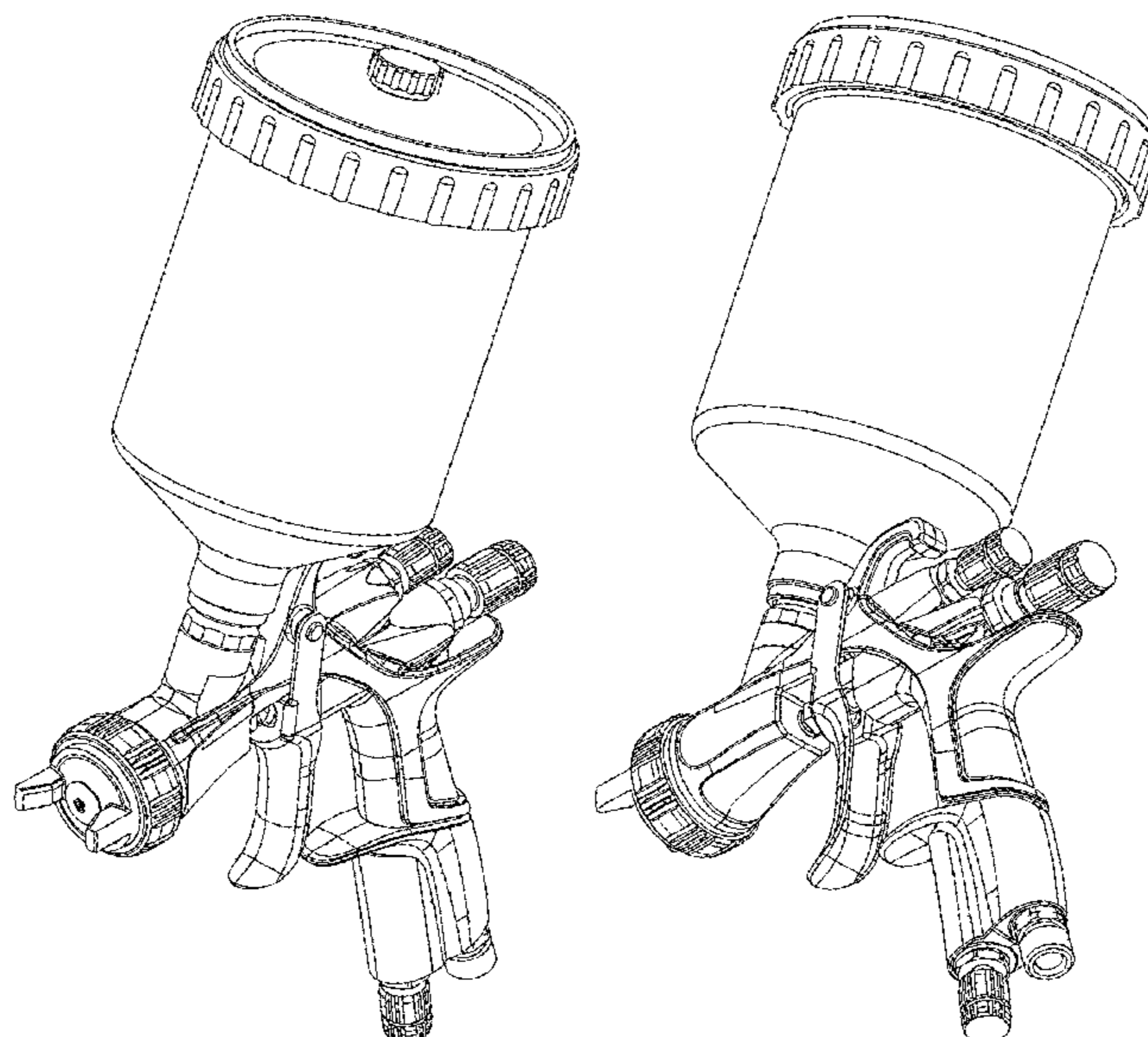
(57) **CLAIM**

The ornamental design for a paint spray gun, as shown and
described.

DESCRIPTION

FIG. 1 is a front perspective view of a paint spray gun
showing our new design;
FIG. 2 is a front elevational view thereof;
FIG. 3 is a rear elevational view thereof;
FIG. 4 is a left side elevational view thereof;
FIG. 5 is a right side elevational view thereof;
FIG. 6 is a top view thereof;
FIG. 7 is a bottom view thereof; and,
FIG. 8 is a rear perspective view thereof.

1 Claim, 8 Drawing Sheets



(56)

References Cited

U.S. PATENT DOCUMENTS

2015/0231655 A1* 8/2015 Adams B05B 12/002
427/421.1
2015/0260600 A1* 9/2015 Hata B05B 12/008
73/756
2016/0030960 A1* 2/2016 Gehrung B05B 7/02
239/526
2016/0361733 A1* 12/2016 Zanetti B05B 12/002
2019/0001359 A1* 1/2019 Negri B05B 15/63
2020/0038892 A1* 2/2020 Volk B05B 7/0815
2021/0162438 A1* 6/2021 Zaki B05B 7/1209

OTHER PUBLICATIONS

DeVilBiss Startingline HVLP Spray Gun, Aug. 3, 2018, Amazon,
site visited Sep. 20, 2021: [https://www.amazon.com/dp/
B07G5G73RV/](https://www.amazon.com/dp/B07G5G73RV/) (Year: 2018).*

Meiji Finer-Core Product News, Oct. 2020, Meiji.co.jp, site visited
Sep. 20, 2021: <https://www.meiji.co.jp/en/topics/detail/63> (Year:
2020).*

* cited by examiner

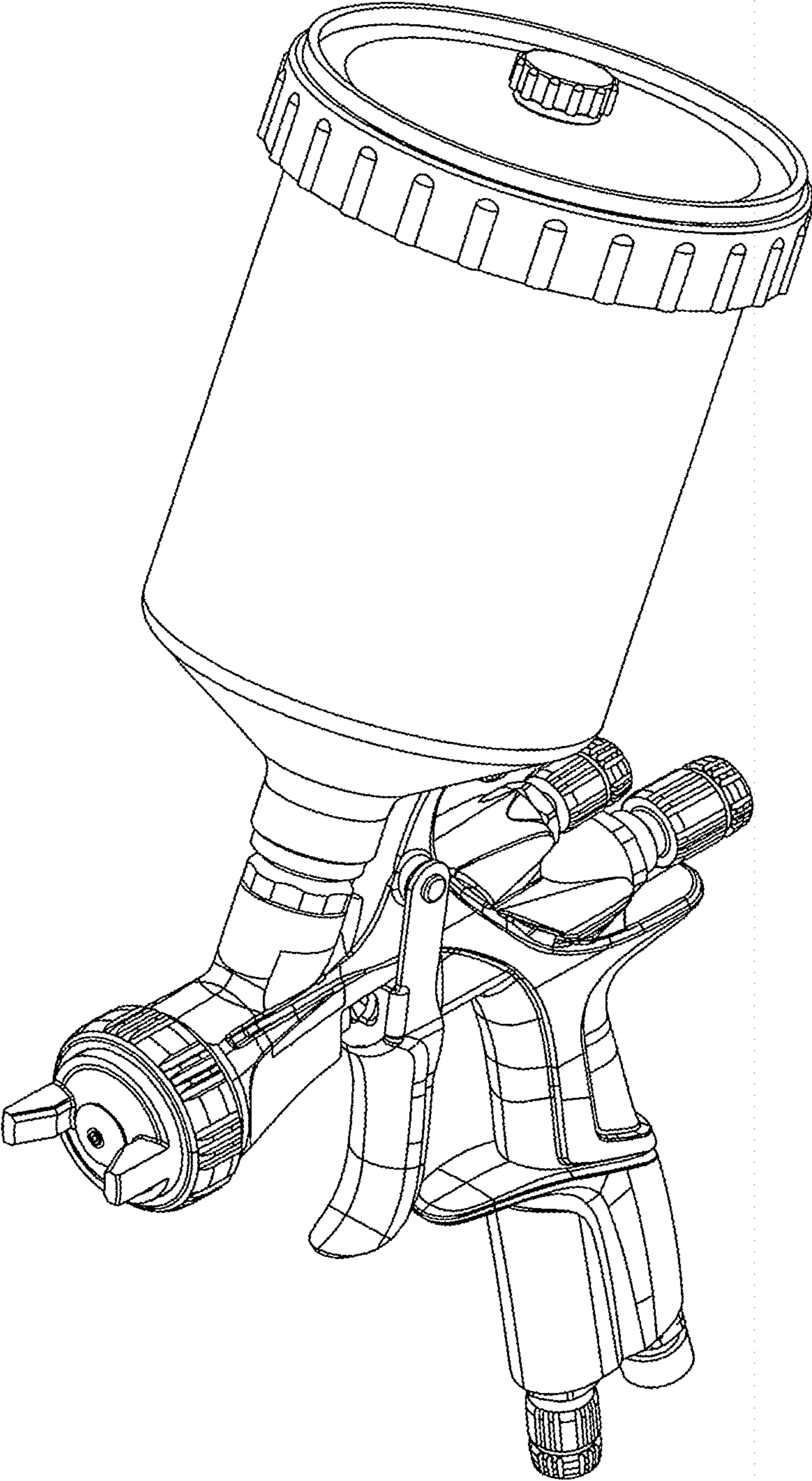


FIG. 1

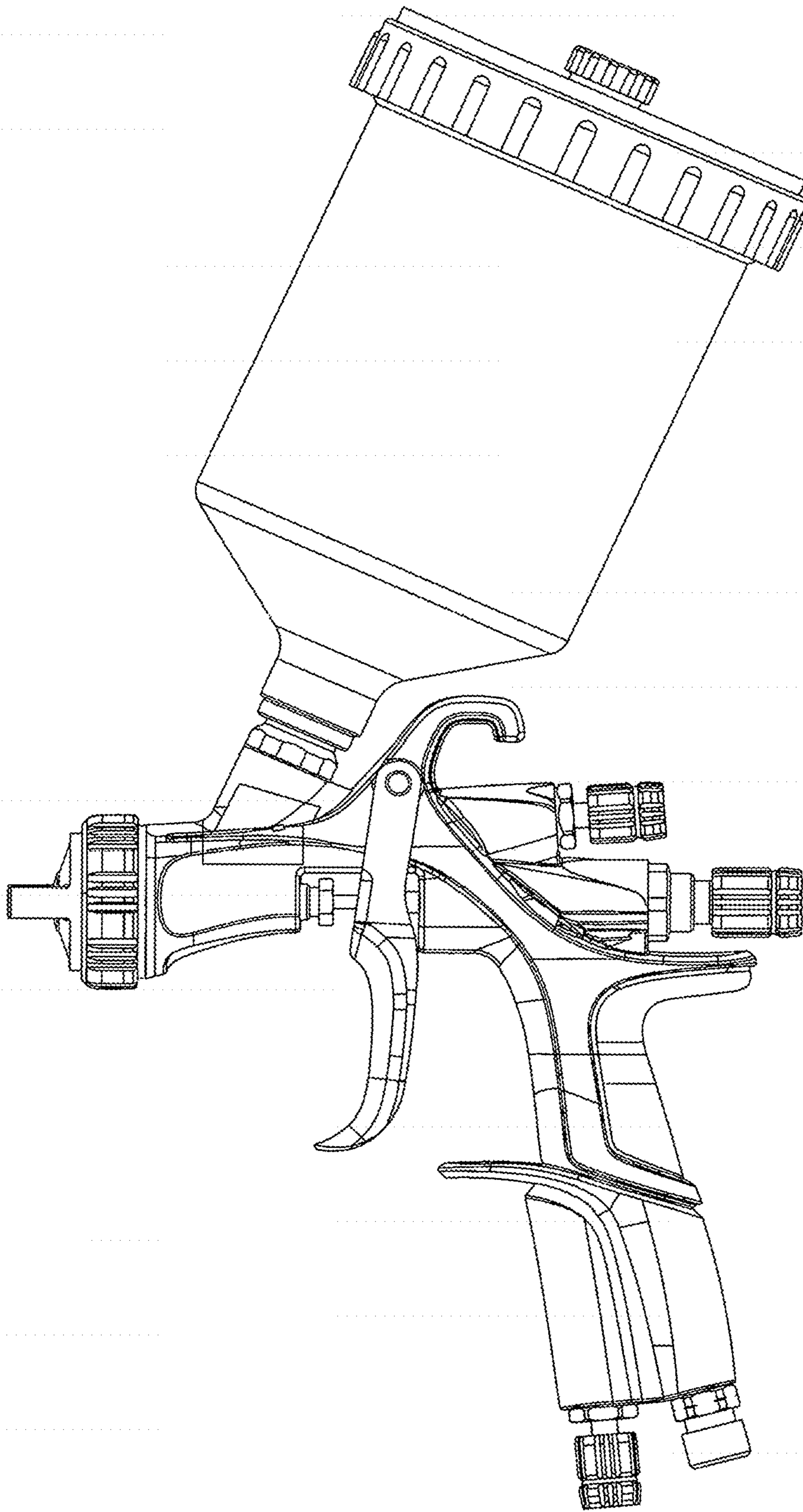


FIG. 2

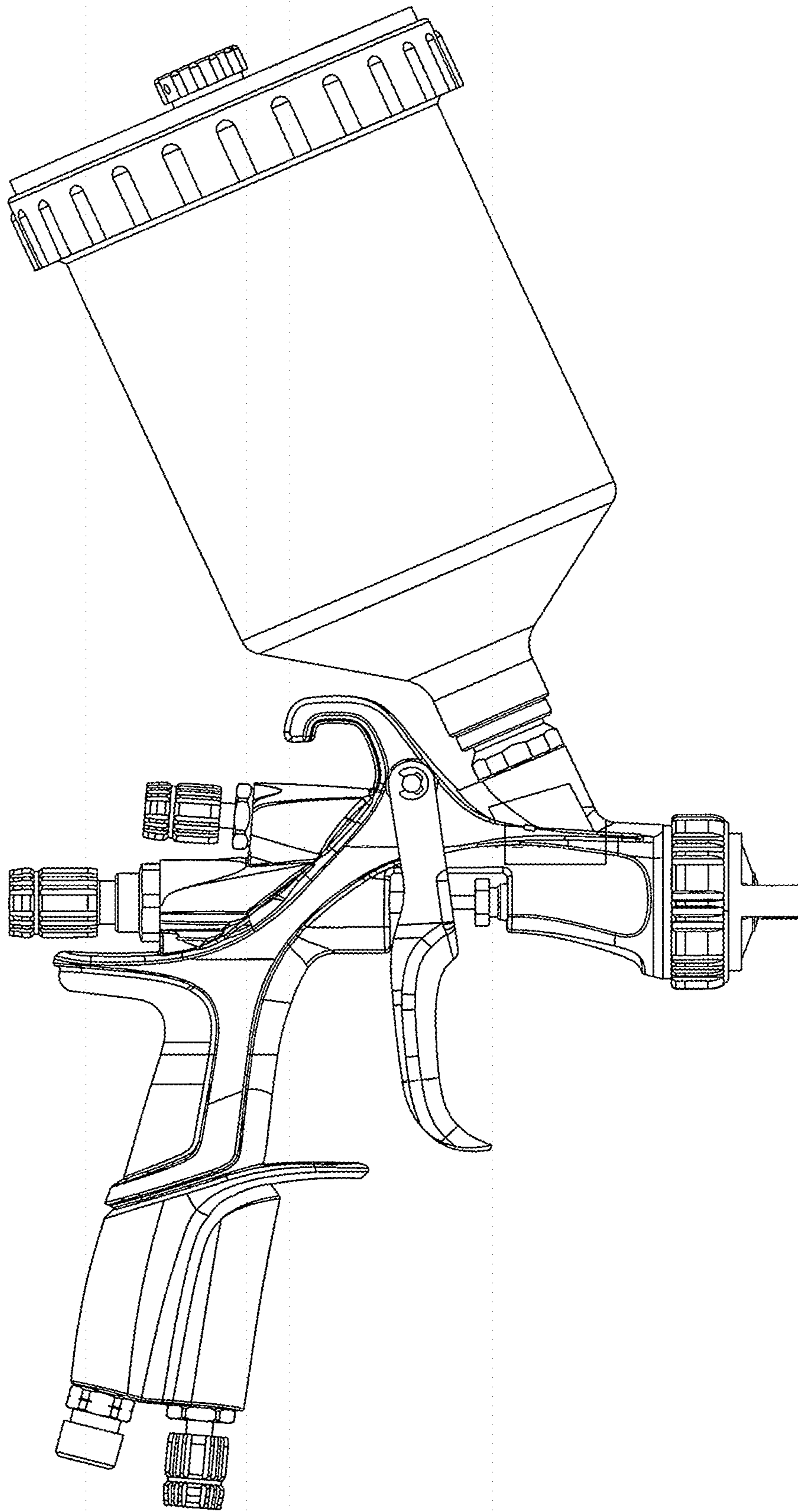


FIG. 3

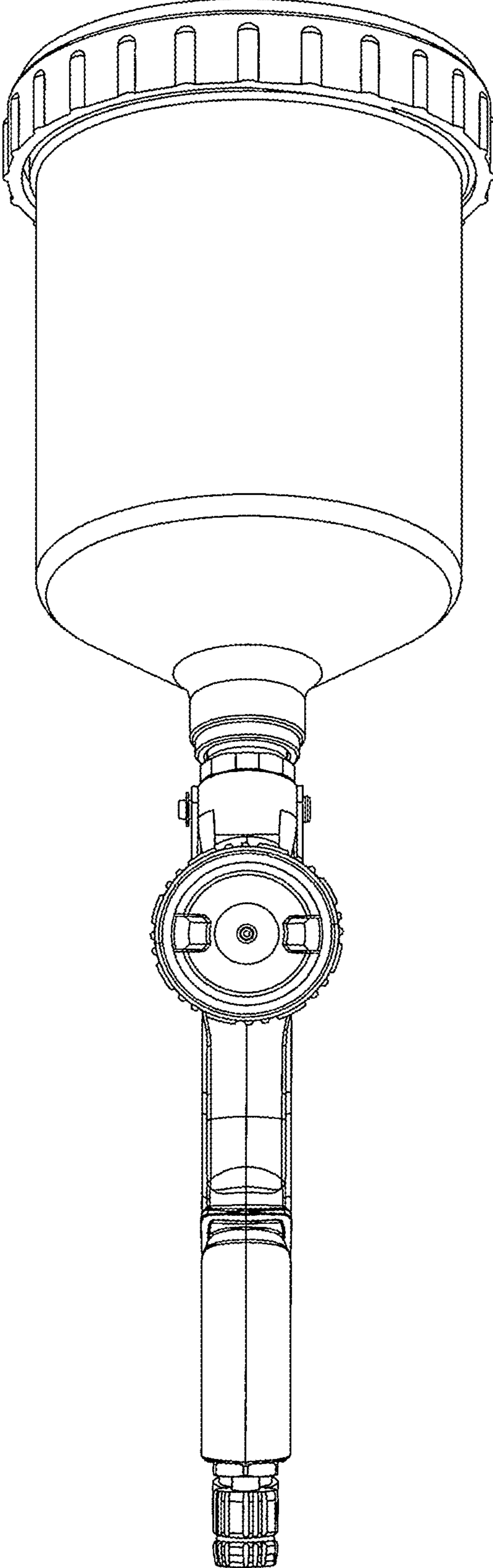


FIG. 4

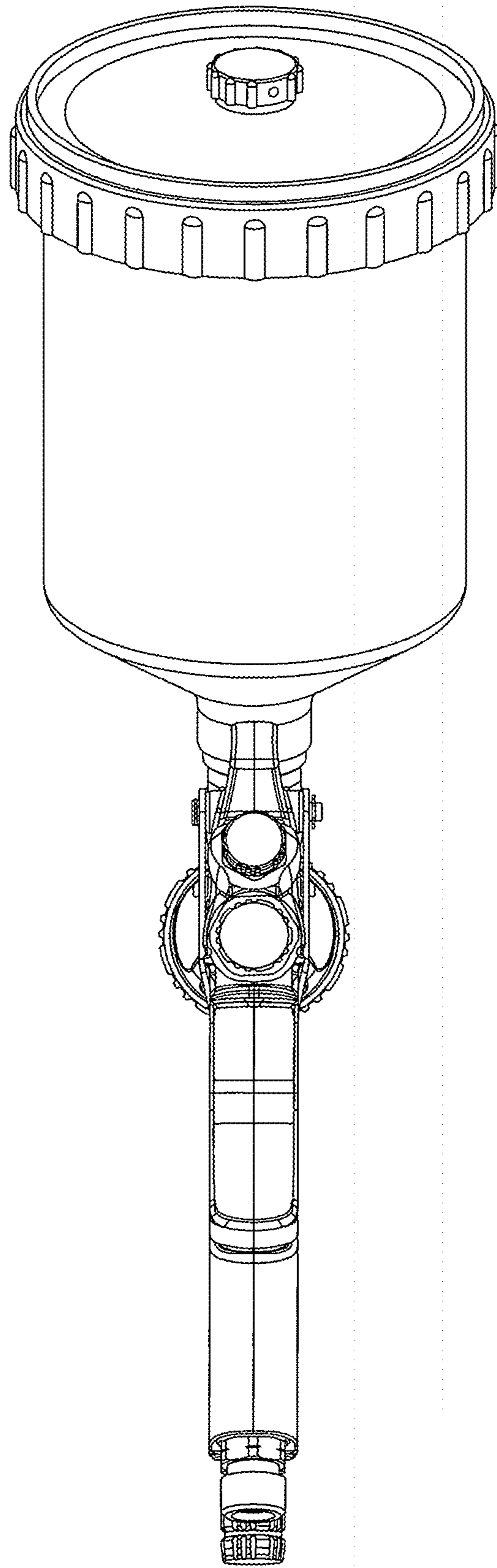


FIG. 5

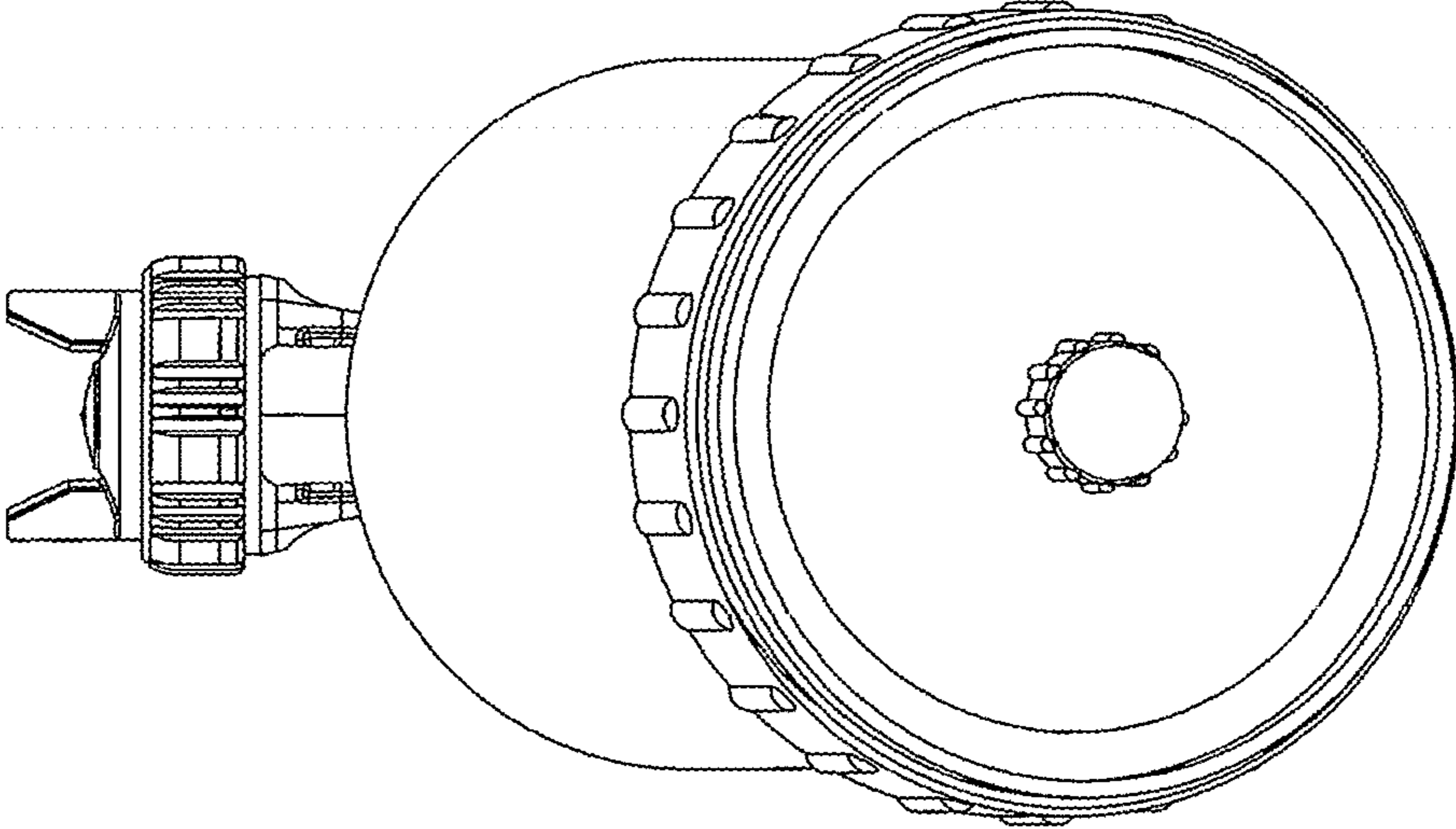


FIG. 6

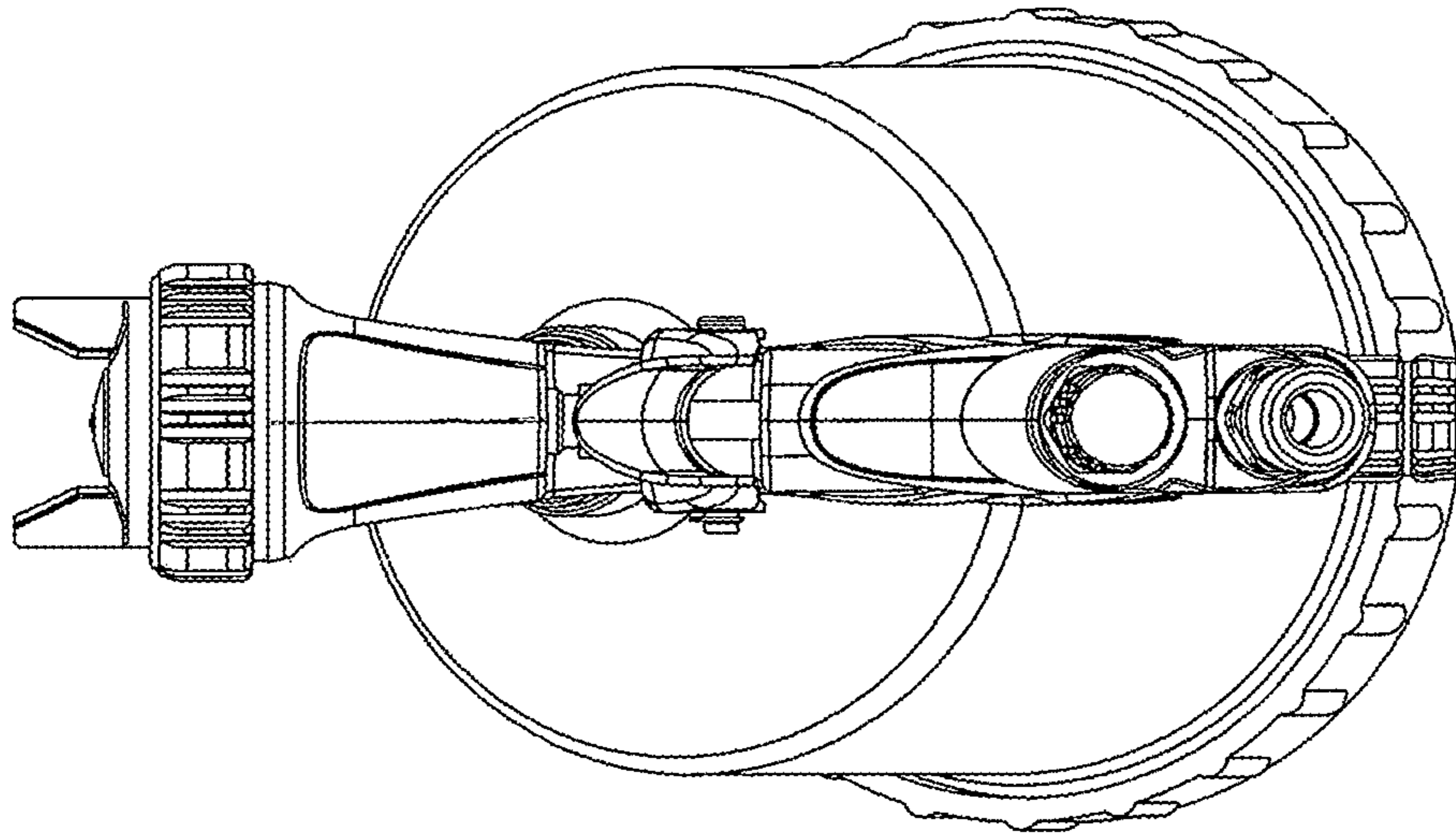


FIG. 7

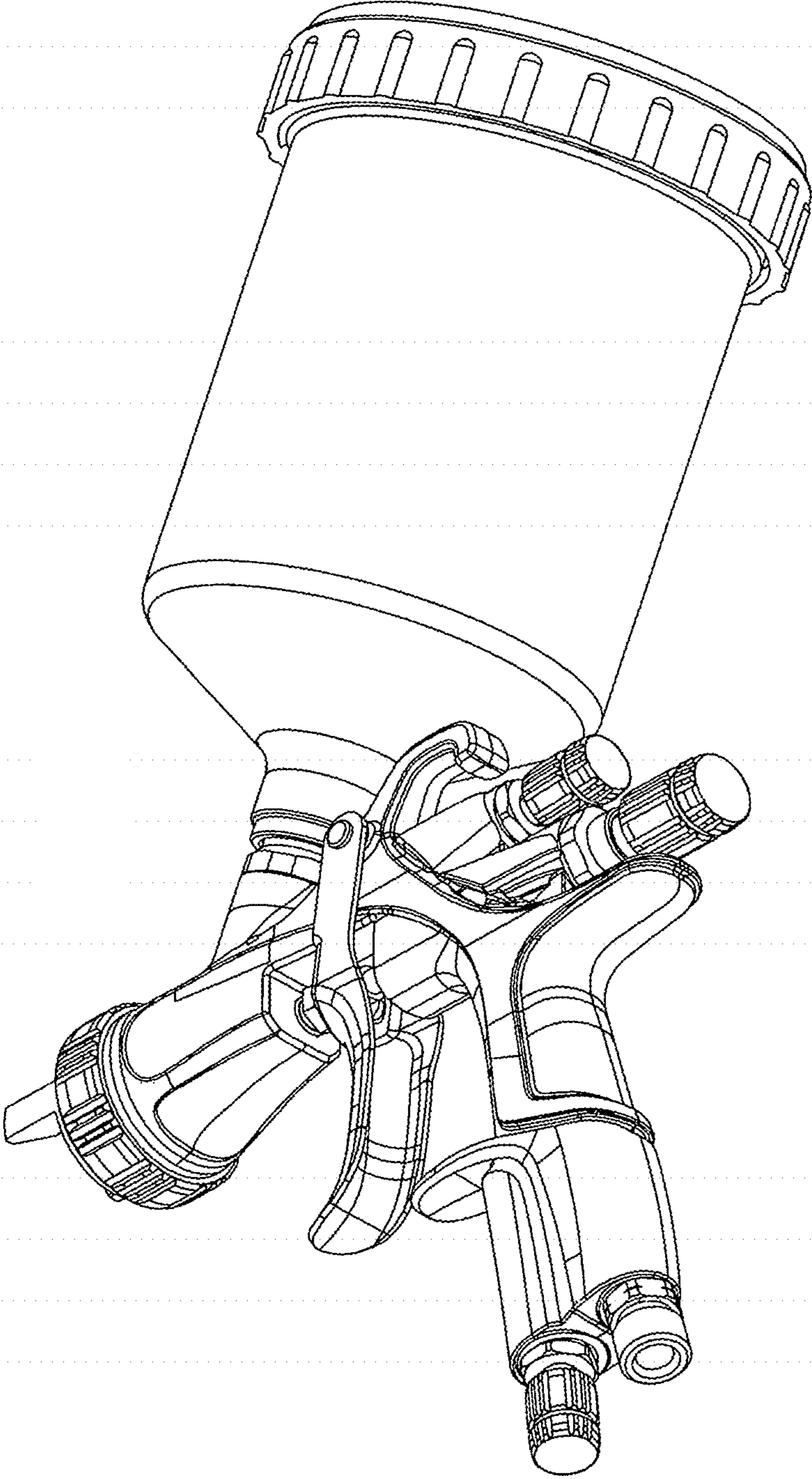


FIG. 8