



US00D950675S

(12) **United States Design Patent**
Xu

(10) **Patent No.:** **US D950,675 S**

(45) **Date of Patent:** **** May 3, 2022**

(54) **REPELLENT FAN**

(71) Applicant: **Ningbo Haishu Lijiaqiao Color Printing and Packaging Factory, Ningbo (CN)**

(72) Inventor: **Bin Xu, Ningbo (CN)**

(73) Assignee: **NINGBO HAISHU LIJIAQIAO COLOR PRINTING AND PACKAGING FACTORY, Ningbo (CN)**

(**) Term: **15 Years**

(21) Appl. No.: **29/752,744**

(22) Filed: **Sep. 29, 2020**

(30) **Foreign Application Priority Data**

Aug. 31, 2020 (CN) 202030507573.X

(51) **LOC (13) Cl.** **22-06**

(52) **U.S. Cl.**
USPC **D22/122**

(58) **Field of Classification Search**
USPC D22/119-120, 122-124; D23/370,
D23/377-379; D9/500, 503-505
CPC A01M 1/24; A01M 5/00; A01M 29/06;
A01M 29/34

See application file for complete search history.

(56) **References Cited**

U.S. PATENT DOCUMENTS

D544,795 S * 6/2007 Reed D9/504
D576,043 S * 9/2008 Rica D9/520

D654,979 S * 2/2012 Smith D22/122
D765,511 S * 9/2016 George D9/503
D827,440 S * 9/2018 Follett D9/504
D837,652 S * 1/2019 George D9/500
D847,297 S * 4/2019 Hassman D22/122
D864,347 S * 10/2019 Li D22/122
D921,830 S * 6/2021 Liu D22/120
2013/0067798 A1 * 3/2013 Keltner A01M 29/34
43/142
2013/0075488 A1 * 3/2013 Palermo A01M 29/06
239/34

* cited by examiner

Primary Examiner — Sharon S Oum

(74) *Attorney, Agent, or Firm* — Bayramoglu Law Offices LLC

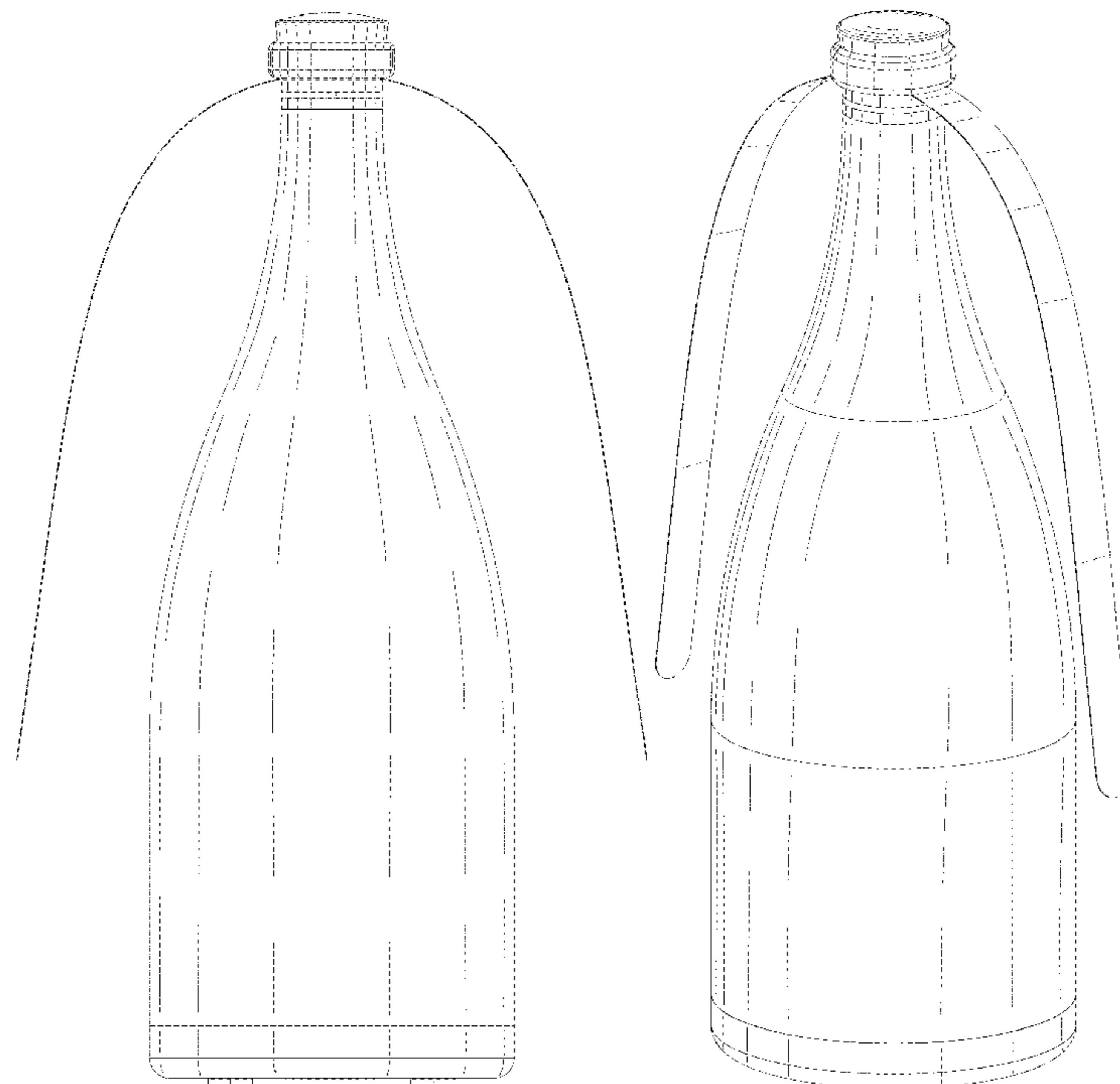
(57) **CLAIM**

The ornamental design for a repellent fan, as shown and described.

DESCRIPTION

FIG. 1 is a front view of a repellent fan showing my new design;
FIG. 2 is a rear view thereof;
FIG. 3 is a left side view thereof;
FIG. 4 is a right side view thereof;
FIG. 5 is a top view thereof;
FIG. 6 is a bottom view thereof; and,
FIG. 7 is a perspective view thereof.

1 Claim, 6 Drawing Sheets



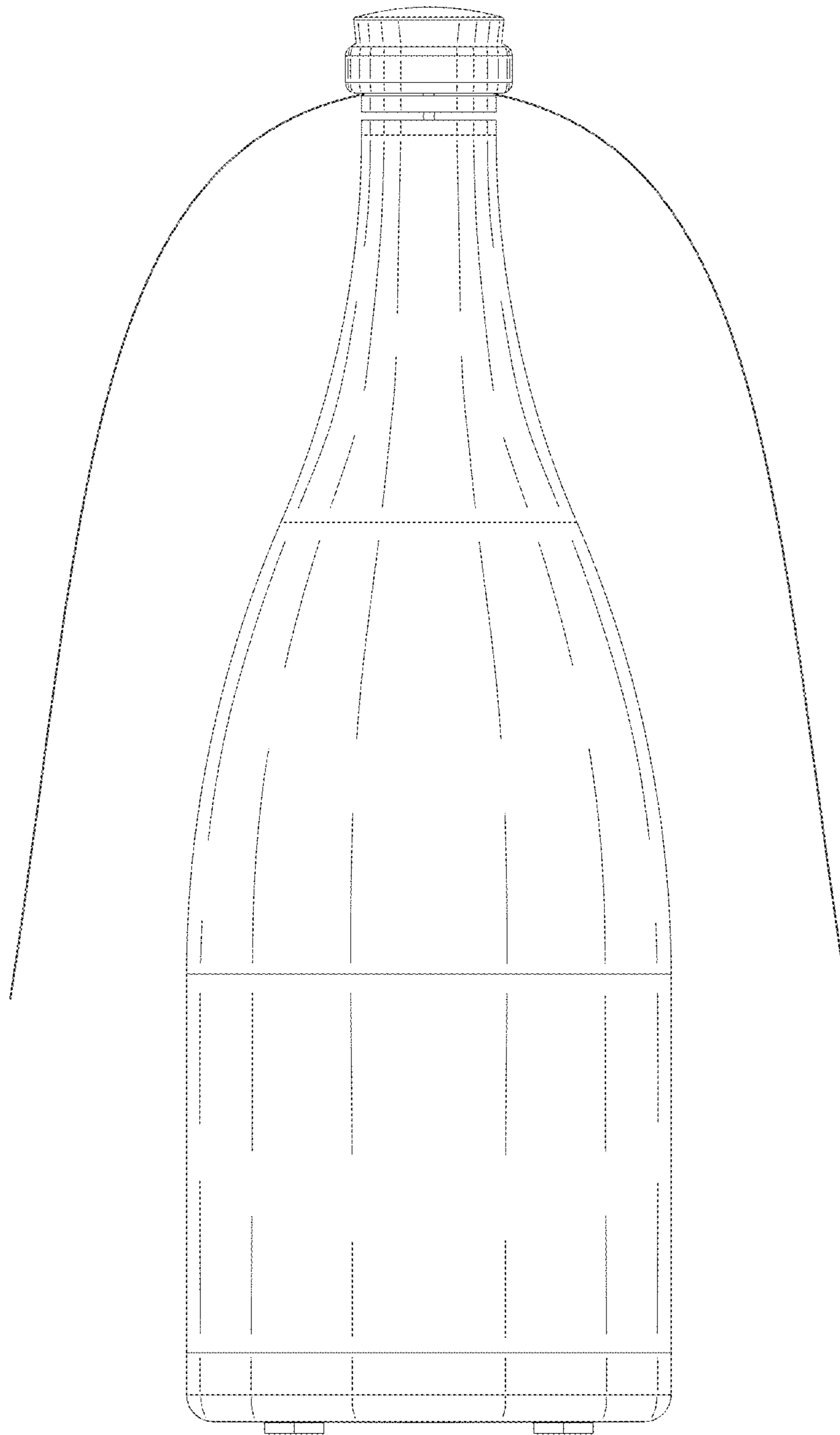


FIG. 1

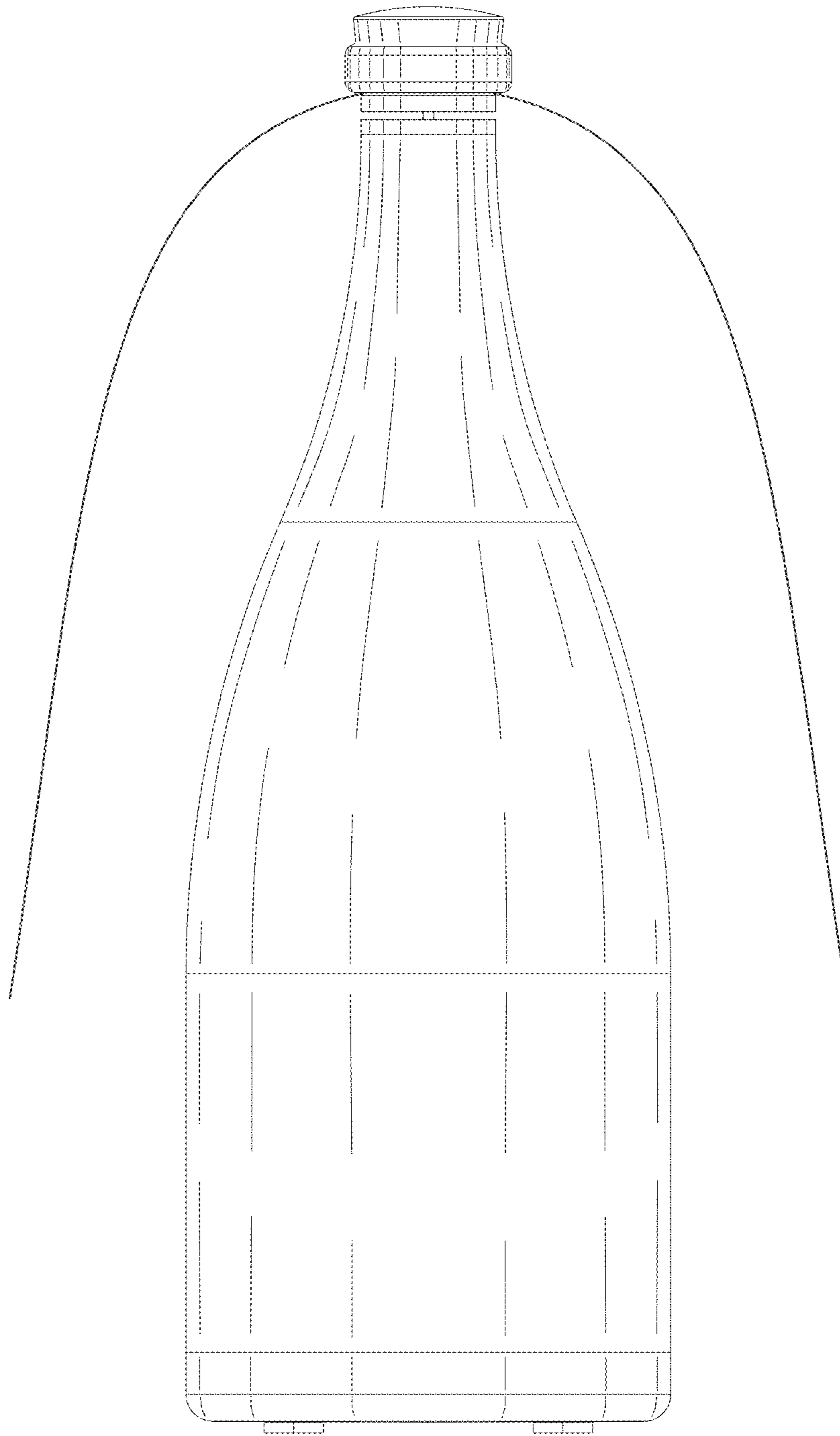


FIG. 2

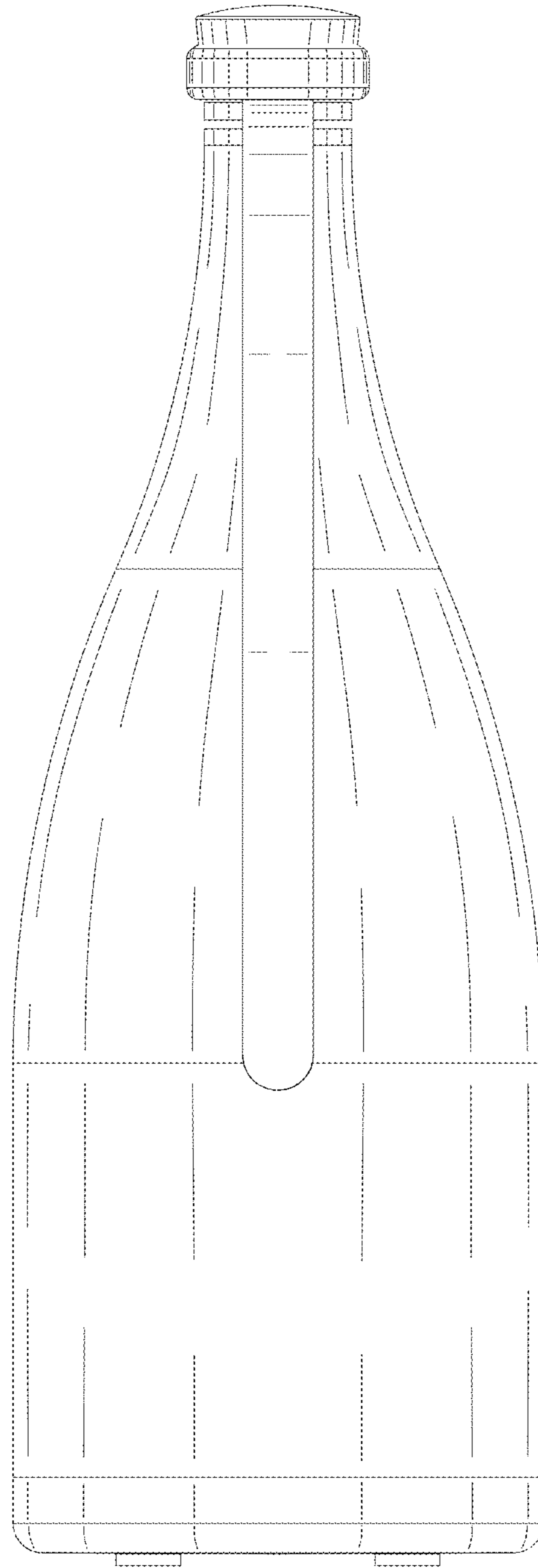


FIG. 3

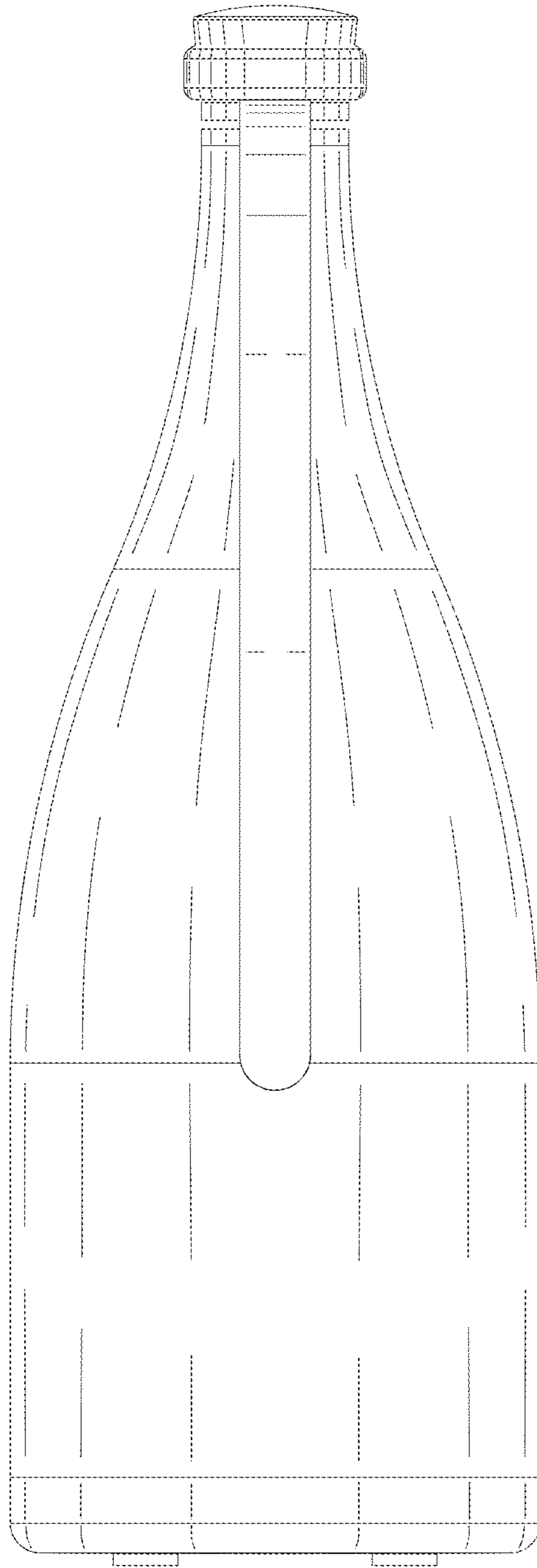


FIG. 4

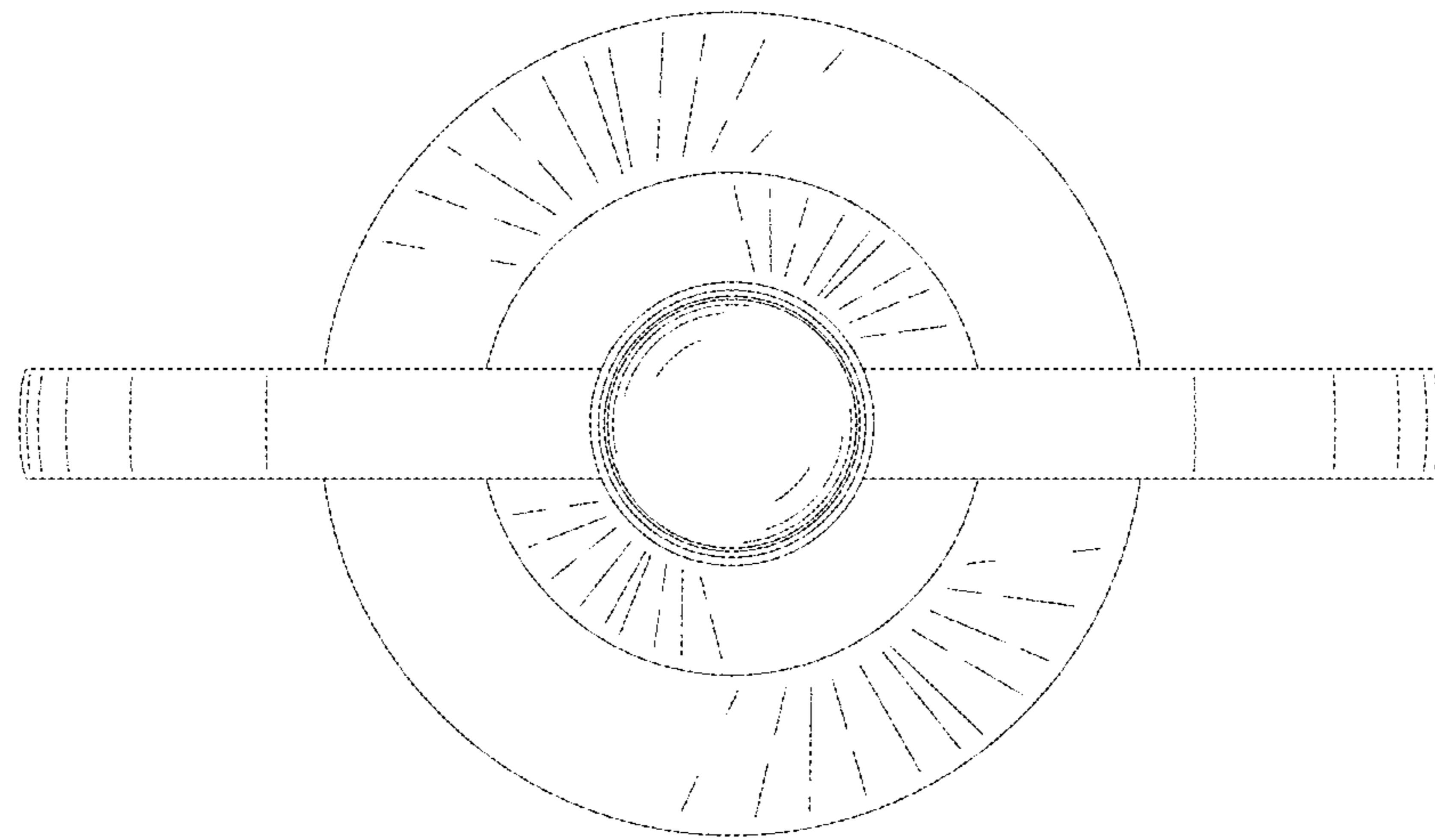


FIG. 5

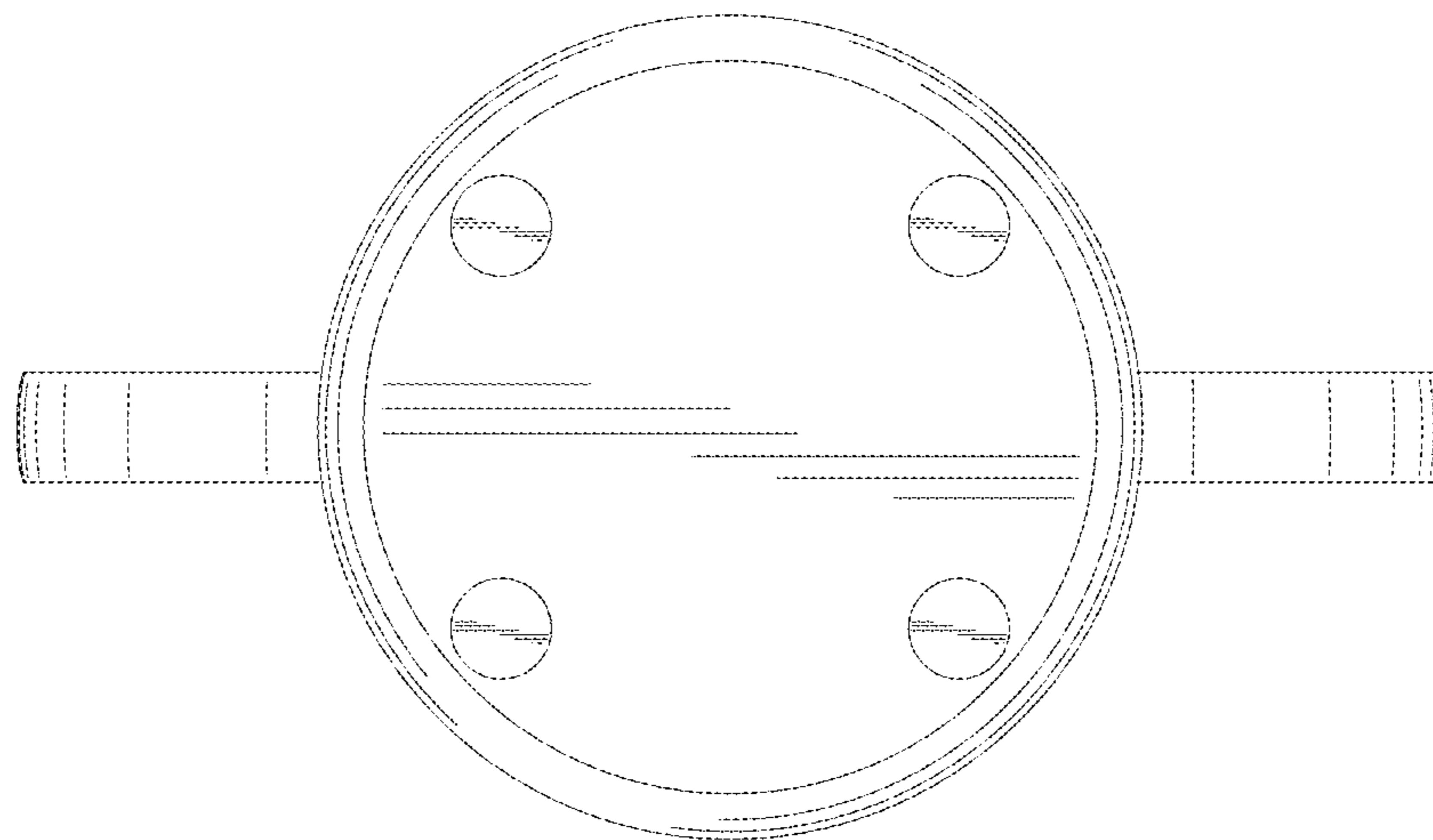


FIG. 6

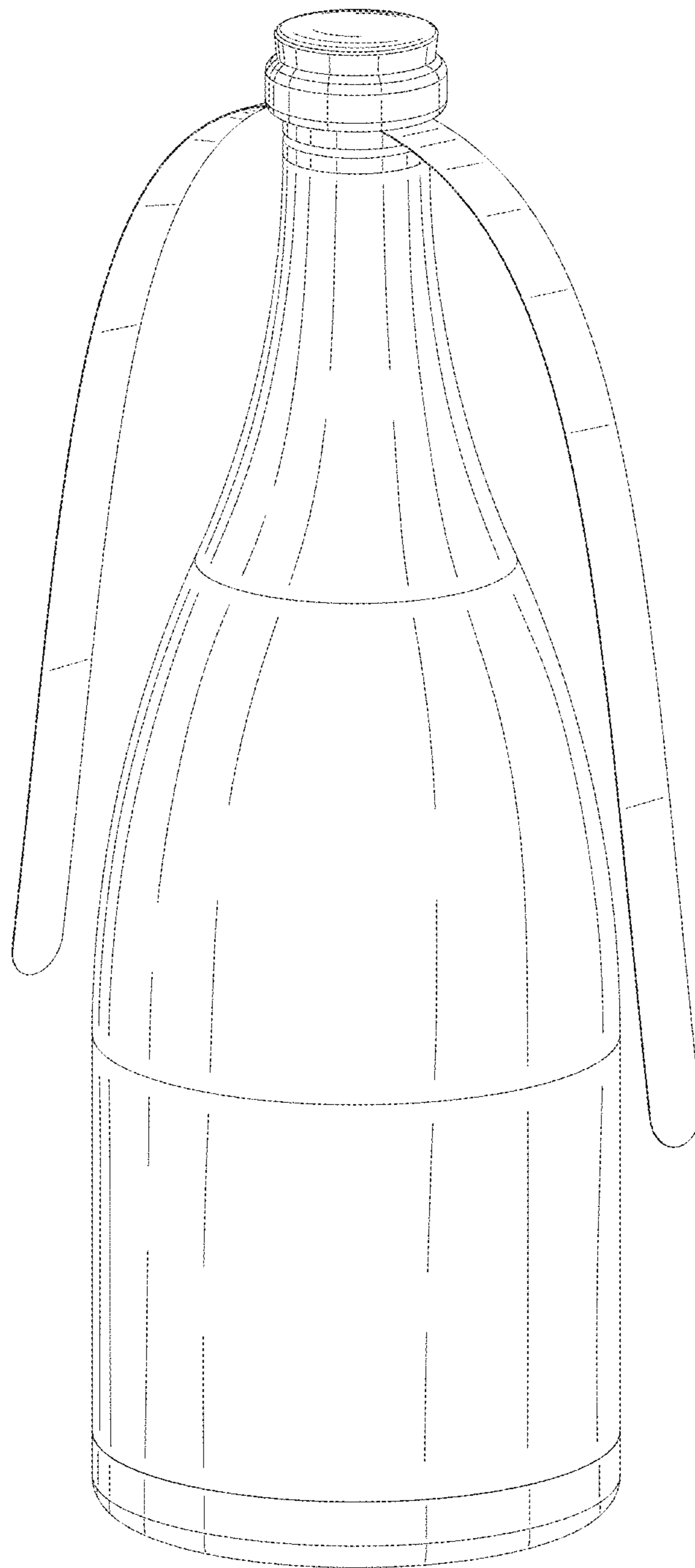


FIG. 7