



US00D950674S

(12) **United States Design Patent** (10) **Patent No.:** **US D950,674 S**
Rubel (45) **Date of Patent:** **** May 3, 2022**

(54) **INSECT ELIMINATING DEVICE**

FOREIGN PATENT DOCUMENTS

(71) Applicant: **PIC Corporation**, Linden, NJ (US)

CA 2940940 * 11/2016 A01M 1/10

(72) Inventor: **Eric Rubel**, Westfield, NJ (US)

* cited by examiner

(73) Assignee: **PIC Corporation**, Linden, NJ (US)

Primary Examiner — Catherine R Oliver-Garcia

(**) Term: **15 Years**

(74) *Attorney, Agent, or Firm* — Amster, Rothstein & Ebenstein LLP

(21) Appl. No.: **29/739,519**

(57) **CLAIM**

The ornamental design for an insect eliminating device, as shown and described.

(22) Filed: **Jun. 25, 2020**

DESCRIPTION

(51) **LOC (13) Cl.** **22-06**

(52) **U.S. Cl.**

USPC **D22/122**

(58) **Field of Classification Search**

USPC D22/122–123

CPC A01N 41/12; A01N 33/08; A01N 51/00;
A01N 53/00

See application file for complete search history.

FIG. 1 is a perspective view of an insect eliminating device showing my new design;

FIG. 2 is a top view thereof;

FIG. 3 is a bottom view thereof;

FIG. 4 is a front view thereof;

FIG. 5 is a rear view thereof;

FIG. 6 is a side view thereof;

FIG. 7 is an opposite side view thereof;

FIG. 8 is a perspective view of an insect eliminating device with a cap portion removed showing my new design;

FIG. 9 is a top view thereof;

FIG. 10 is a bottom view thereof;

FIG. 11 is a front view thereof;

FIG. 12 is a rear view thereof;

FIG. 13 is a side view thereof; and,

FIG. 14 is an opposite side view thereof.

The broken lines showing the internal grid, the charging port, the switch and the opening in the top illustrate environmental structure and form no part of the claimed design.

(56) **References Cited**

U.S. PATENT DOCUMENTS

3,177,609 A * 4/1965 De Marco A01M 1/04

43/112

D209,394 S * 11/1967 de Man D22/122

D558,852 S * 1/2008 Chen D22/123

D816,182 S * 4/2018 Rubel D22/122

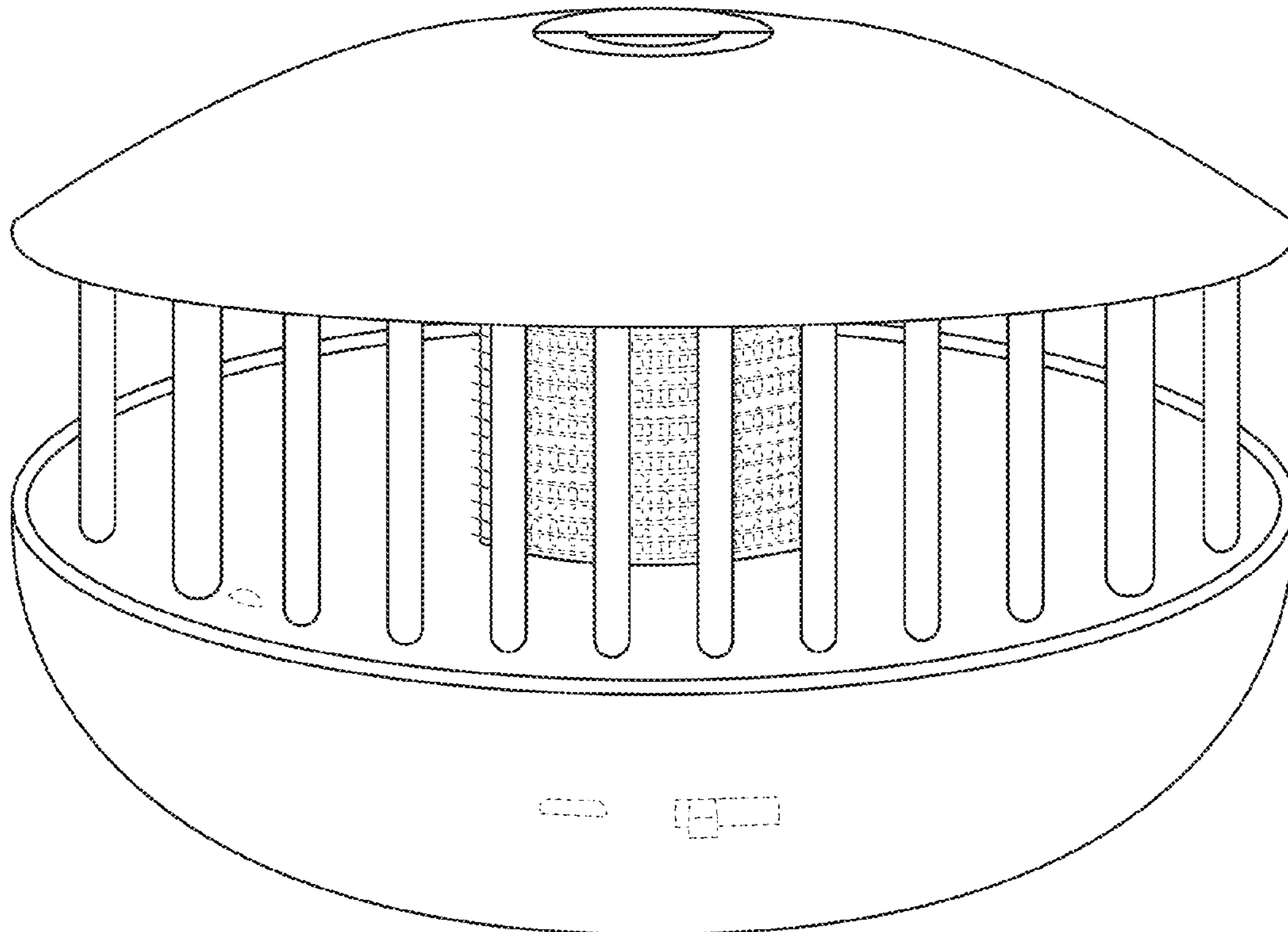
D825,709 S * 8/2018 Rubel D22/122

D879,240 S * 3/2020 Wu D22/123

2015/0366210 A1 * 12/2015 Olson A01M 1/14

43/112

1 Claim, 12 Drawing Sheets



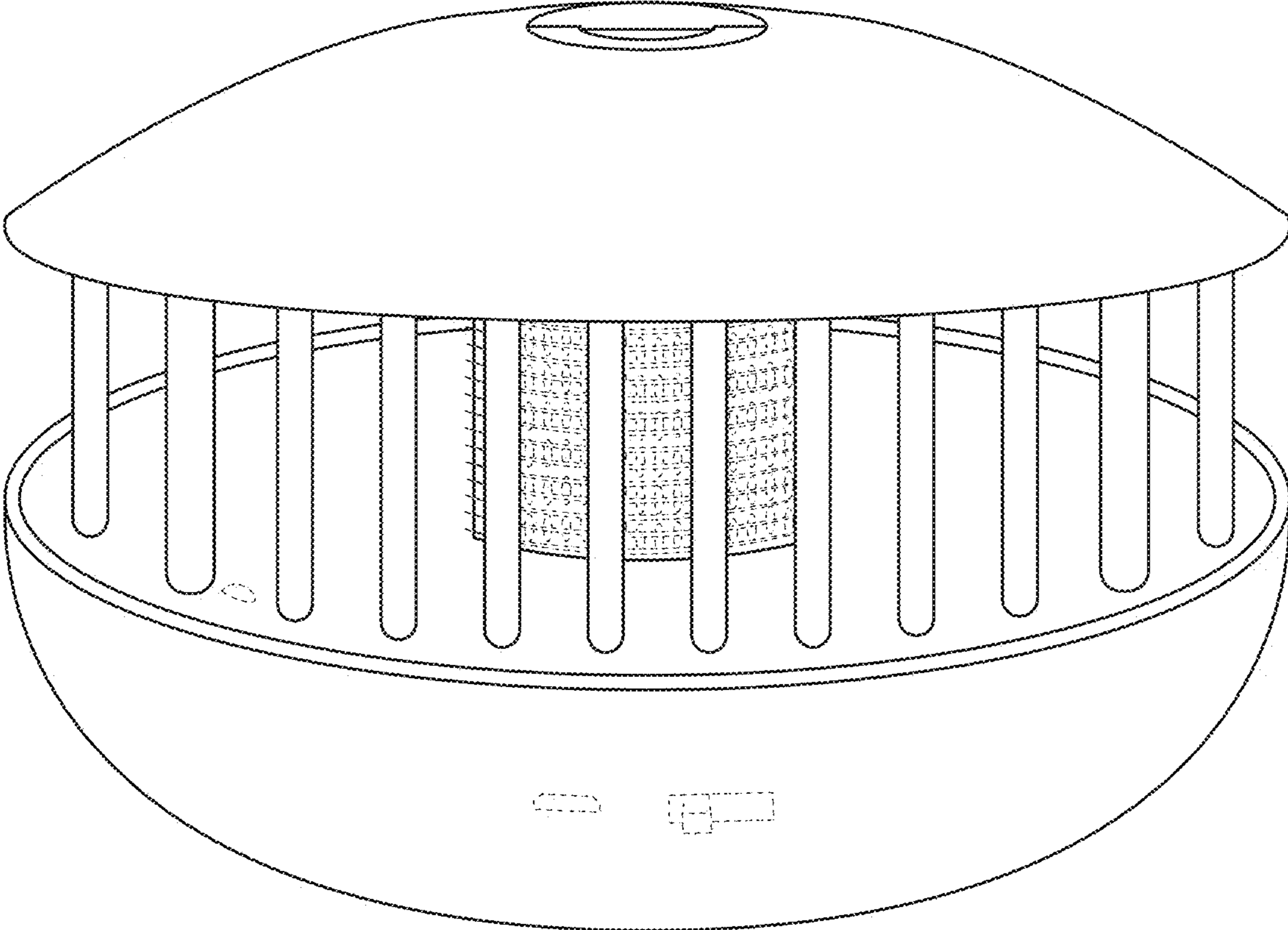


FIG. 1

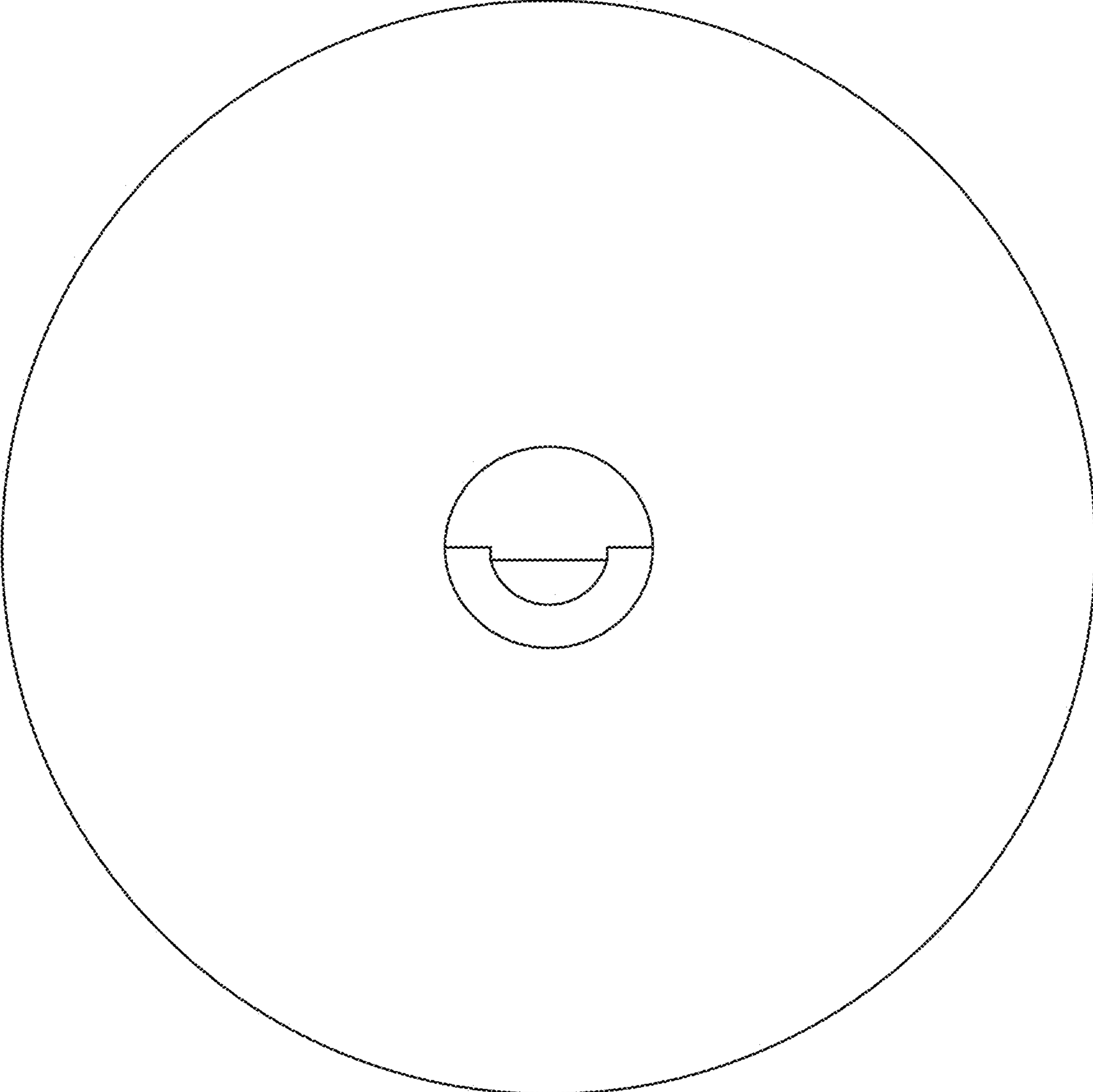


FIG. 2

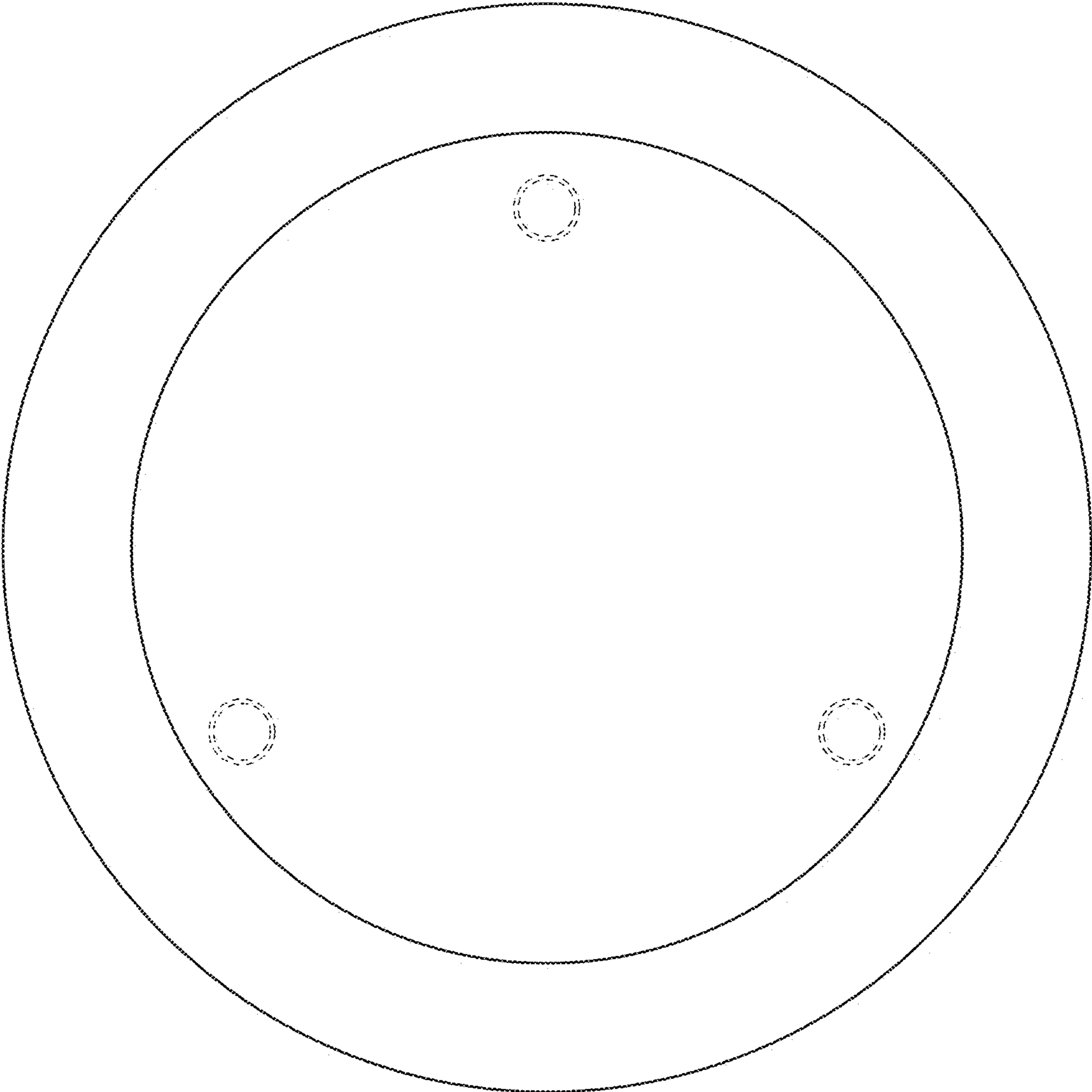


FIG. 3

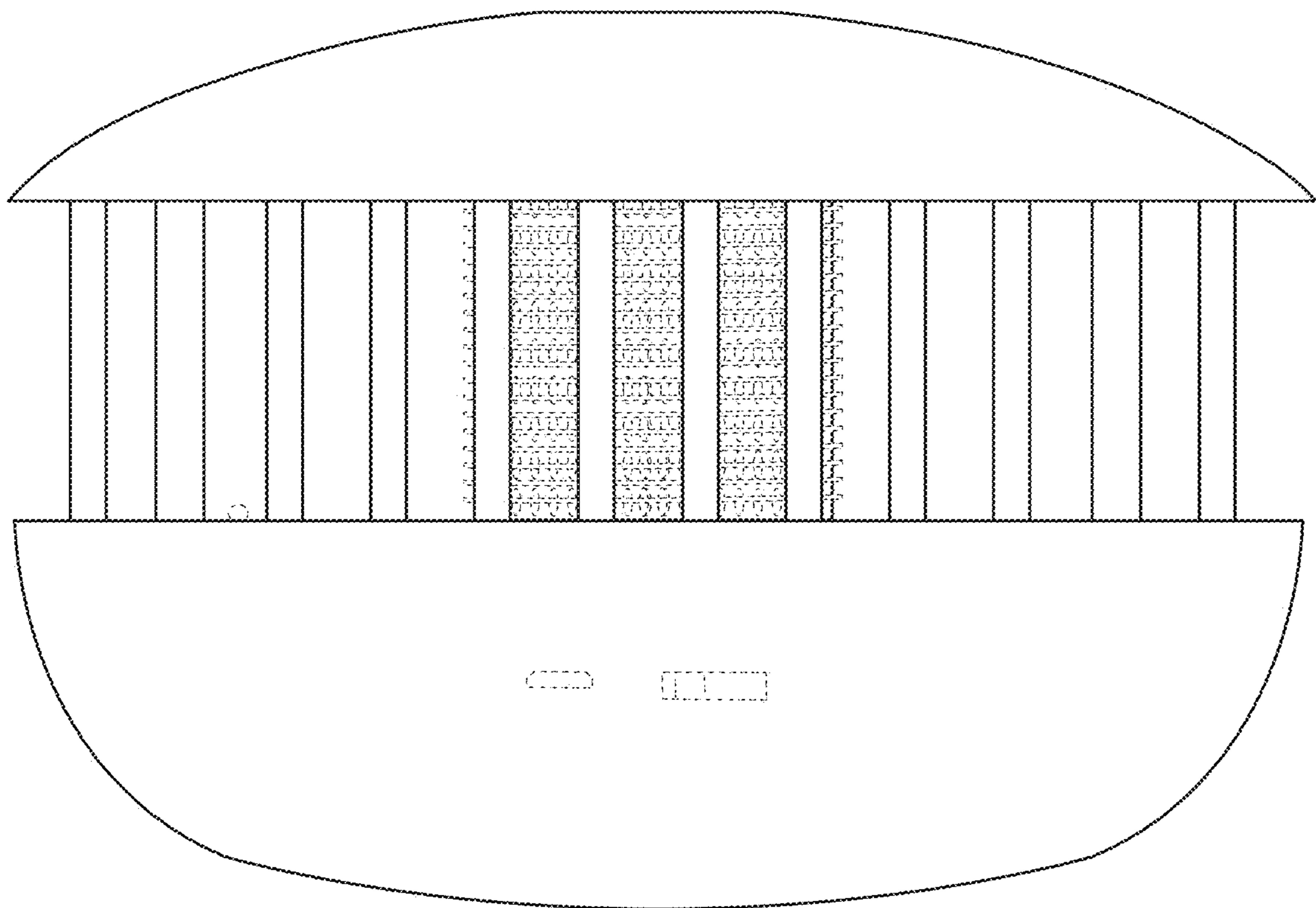


FIG. 4

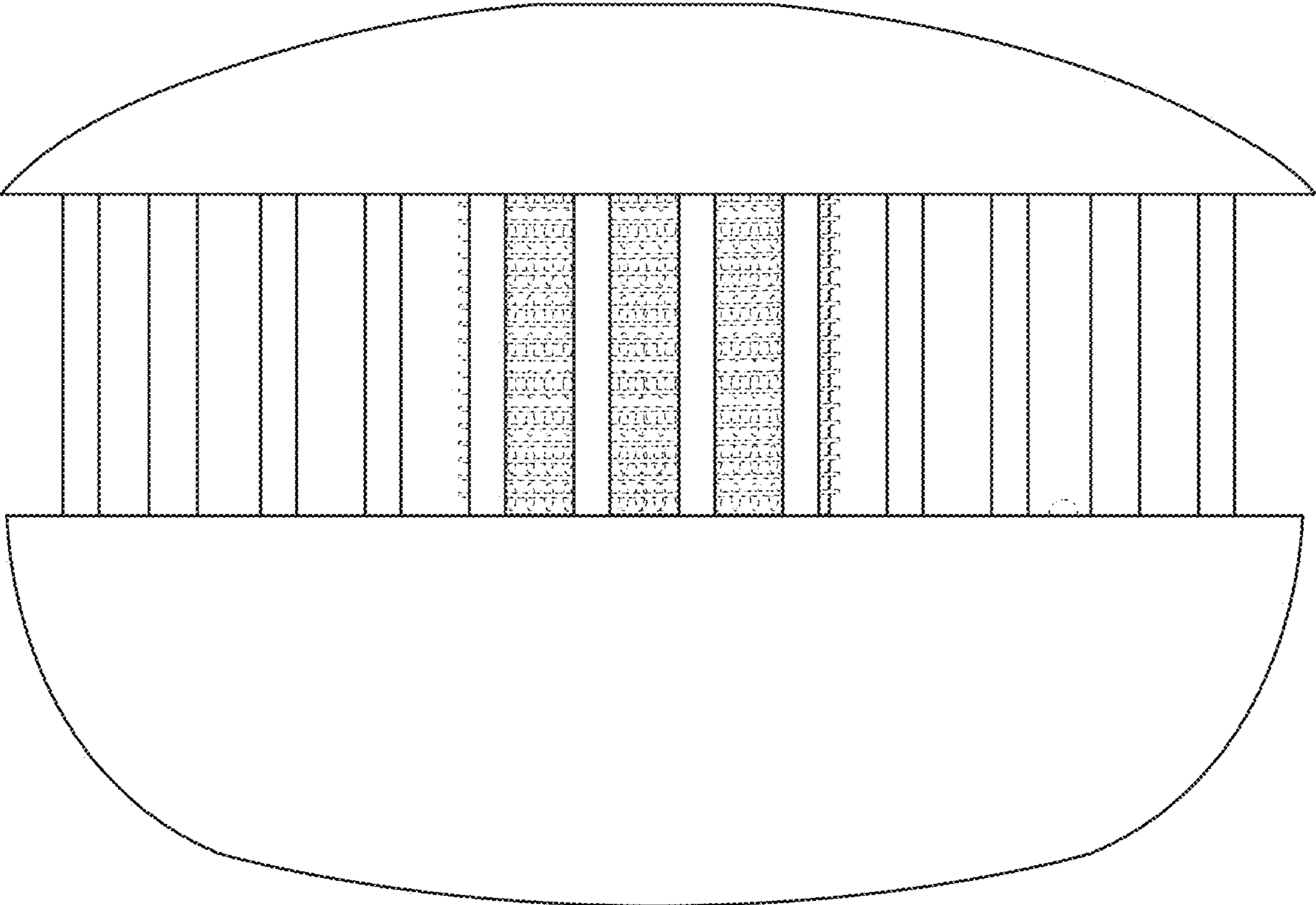


FIG. 5

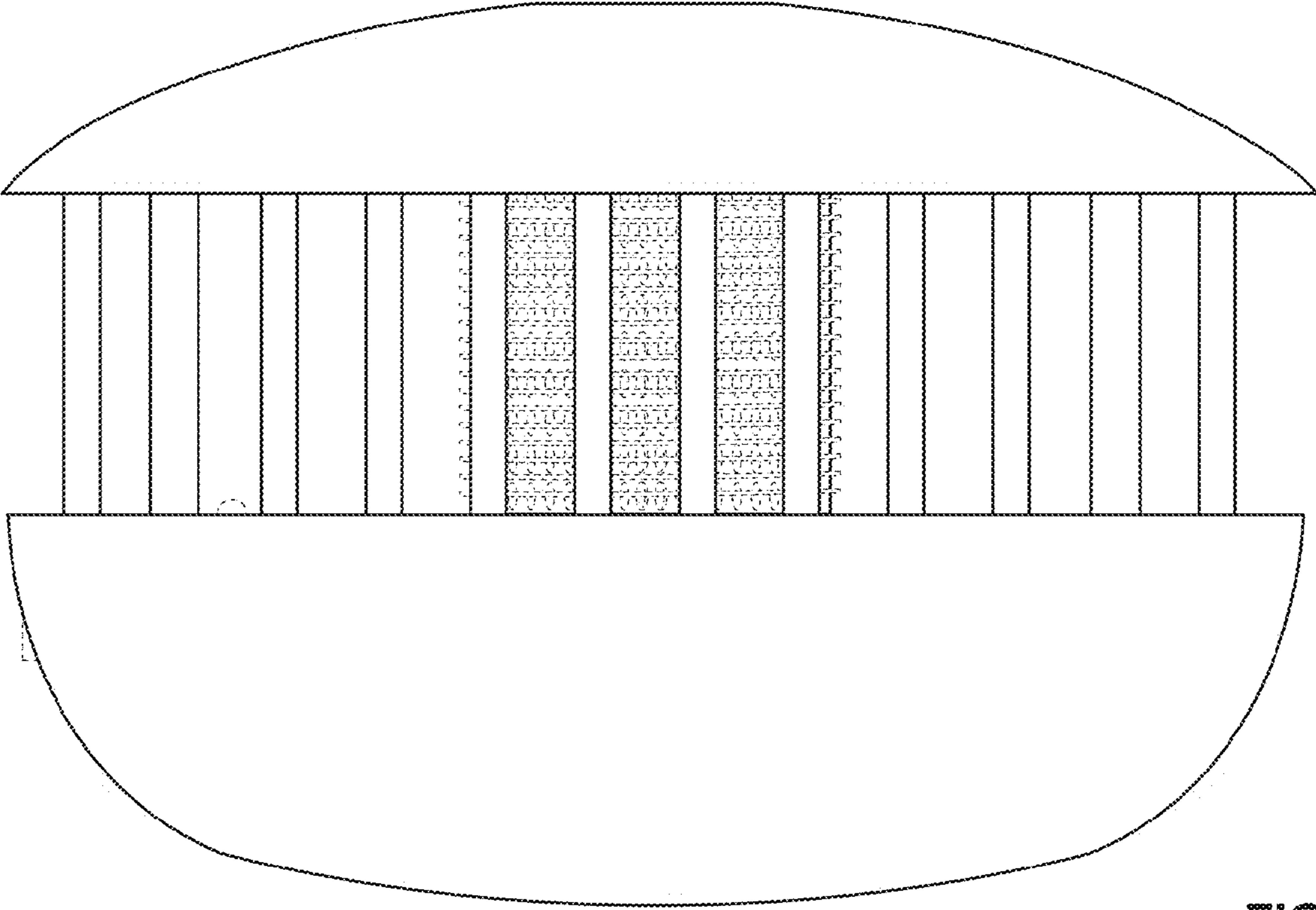


FIG. 6

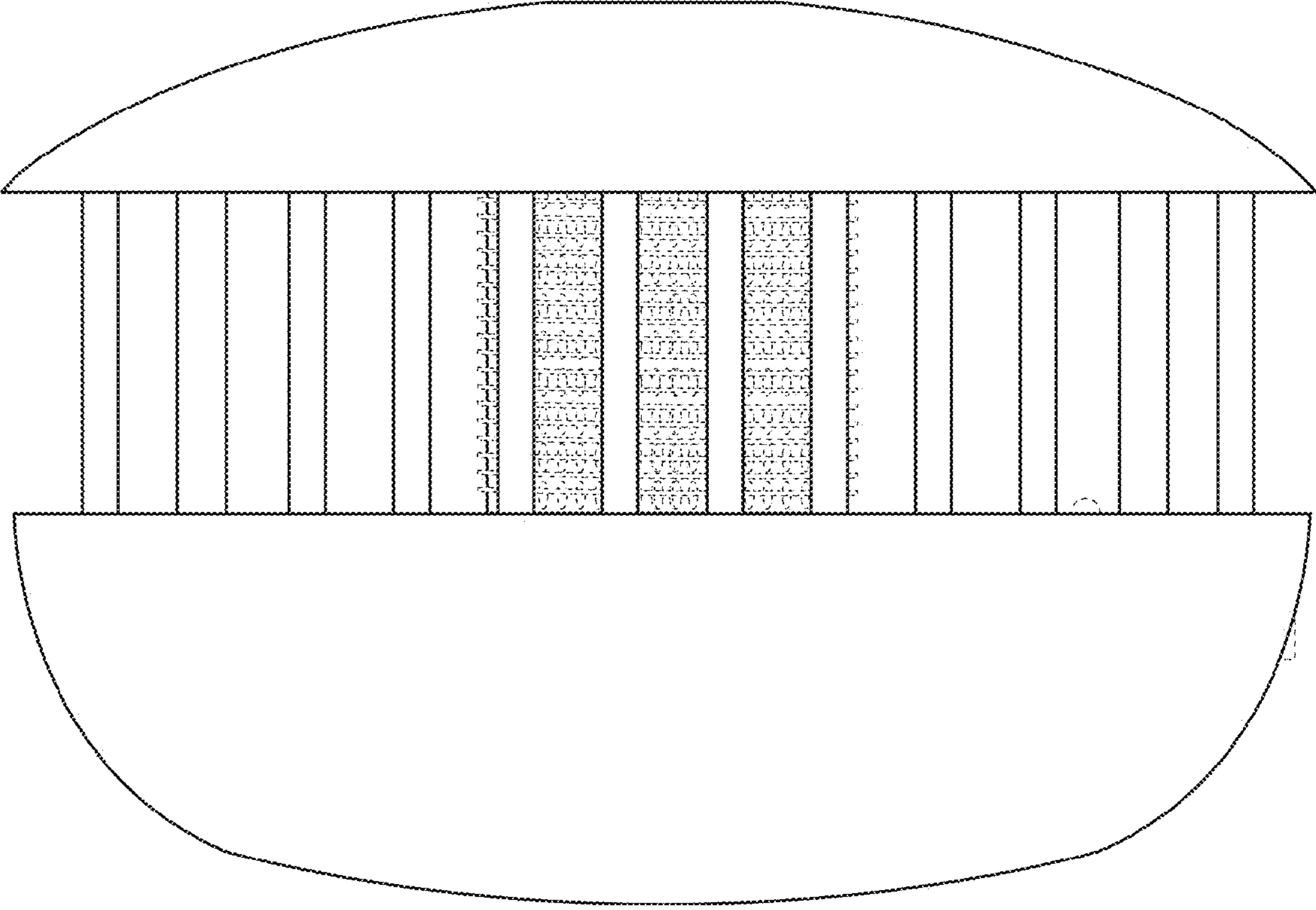


FIG. 7

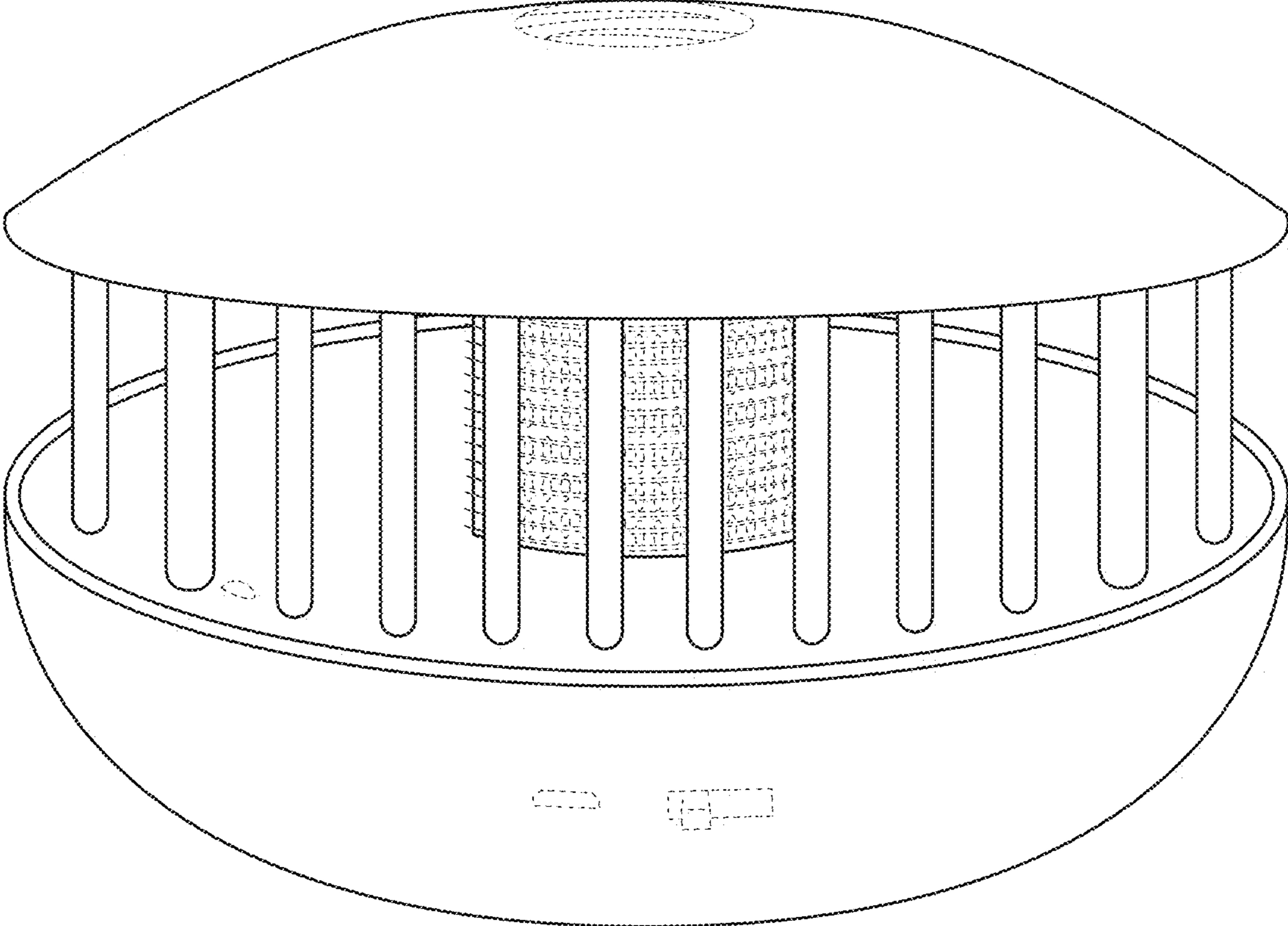


FIG. 8

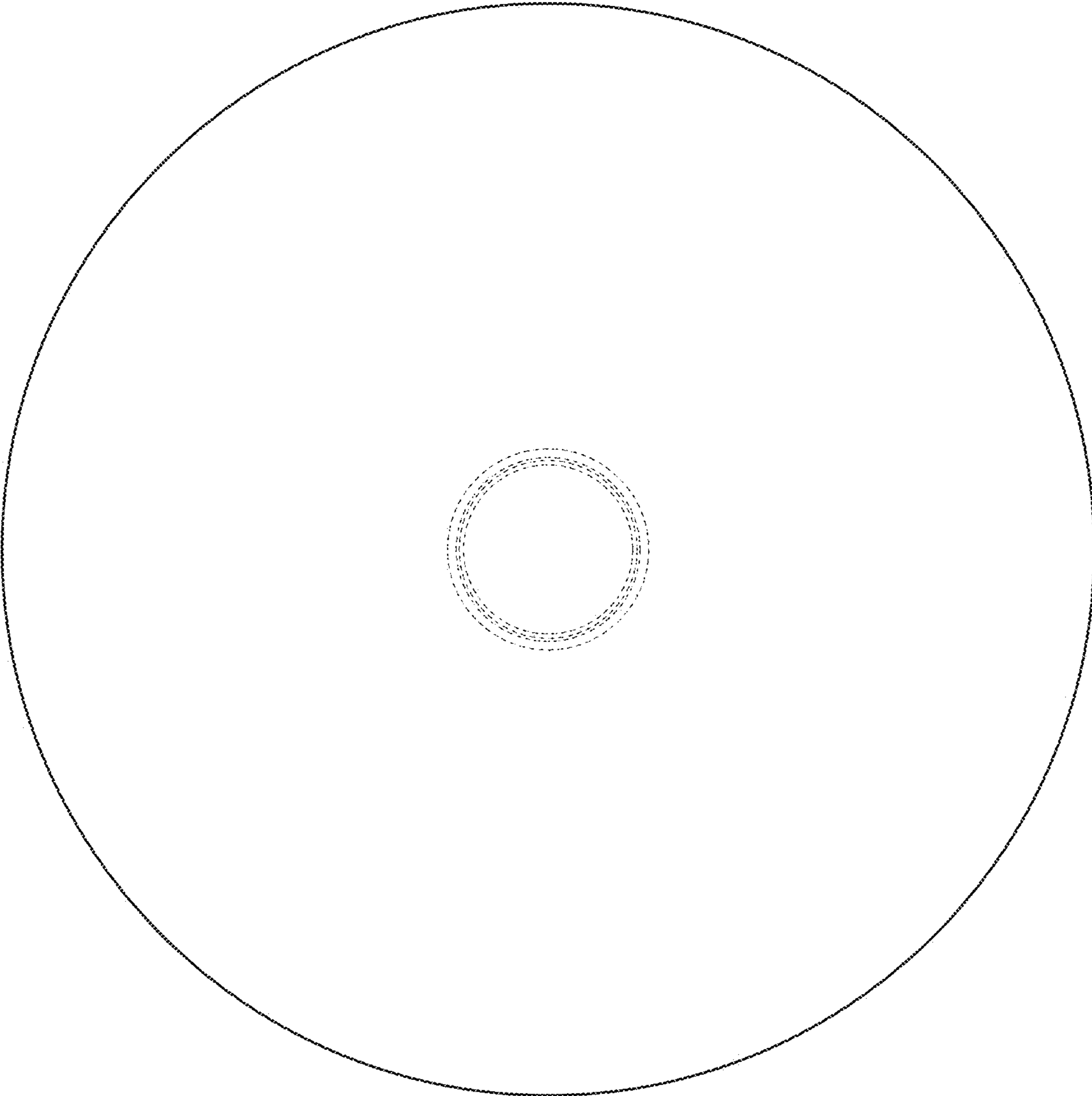


FIG. 9

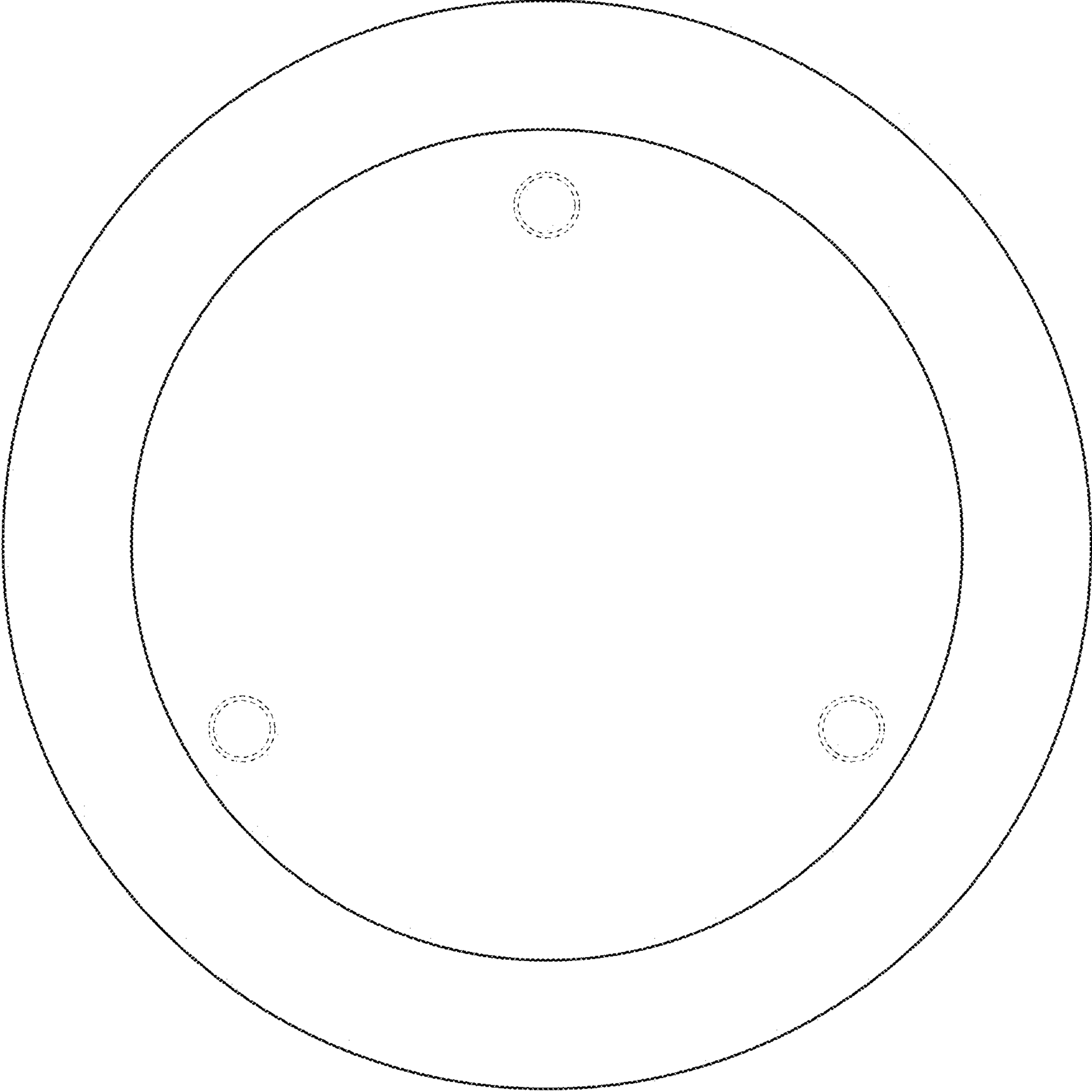


FIG. 10

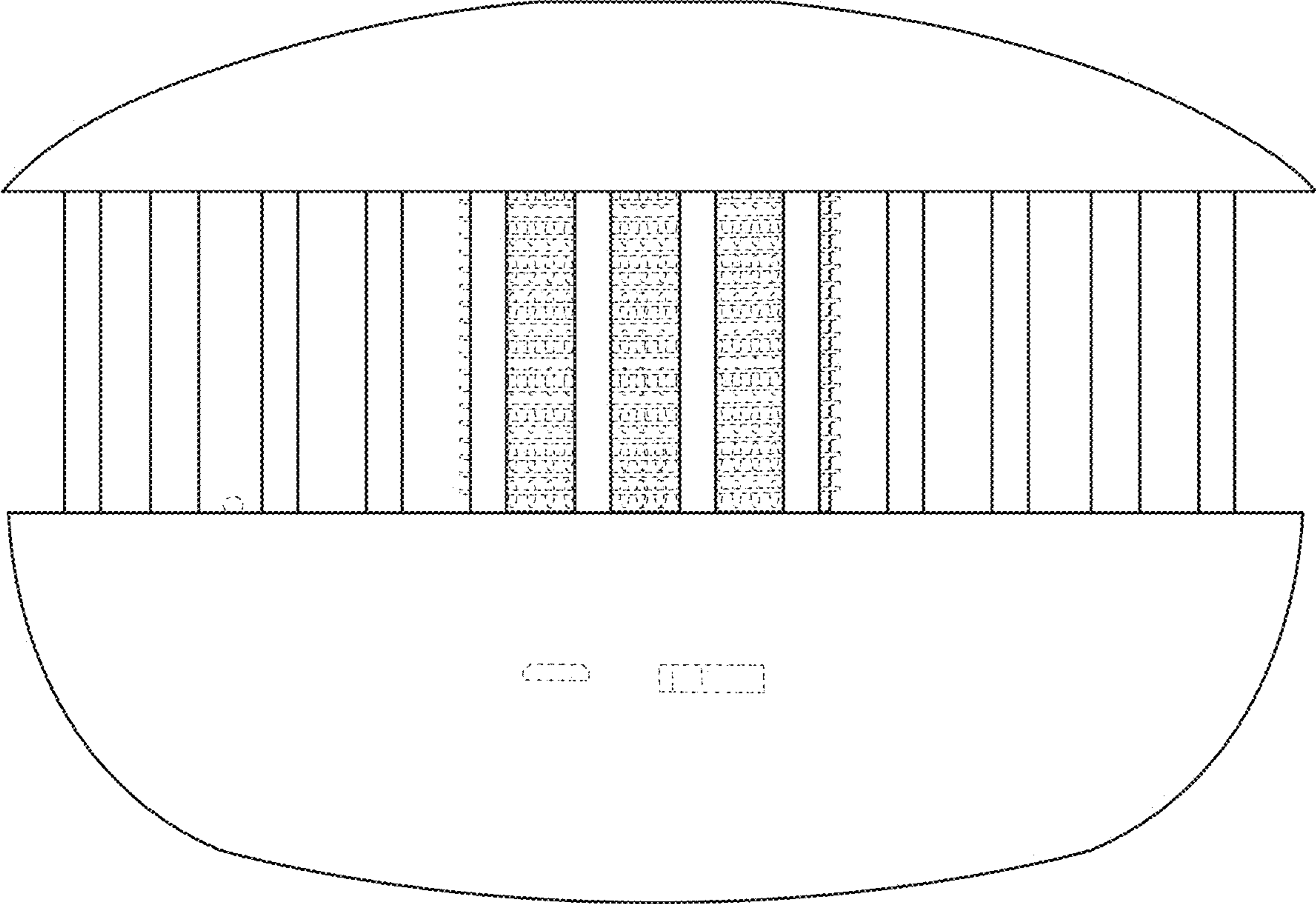


FIG. 11

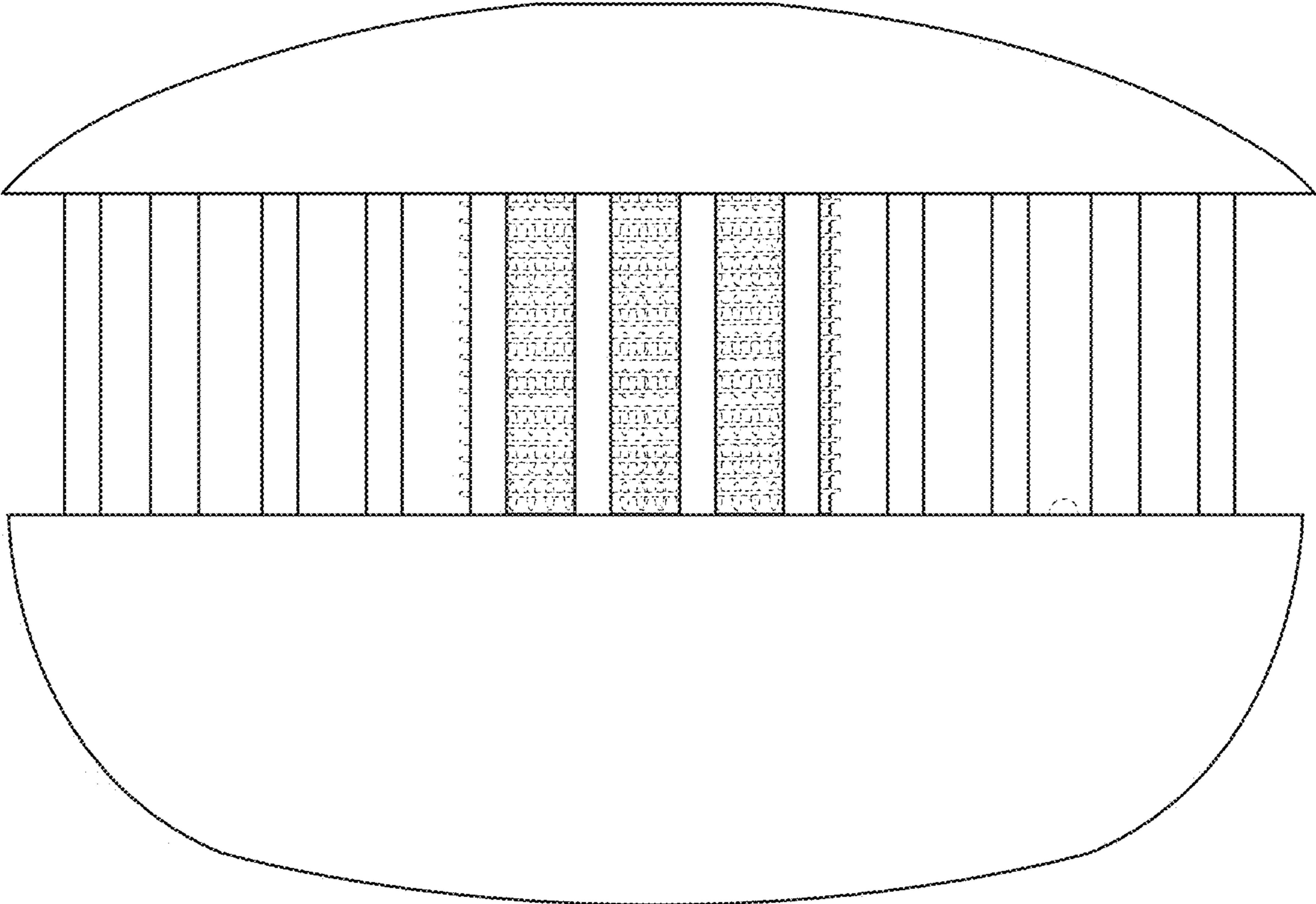


FIG. 12

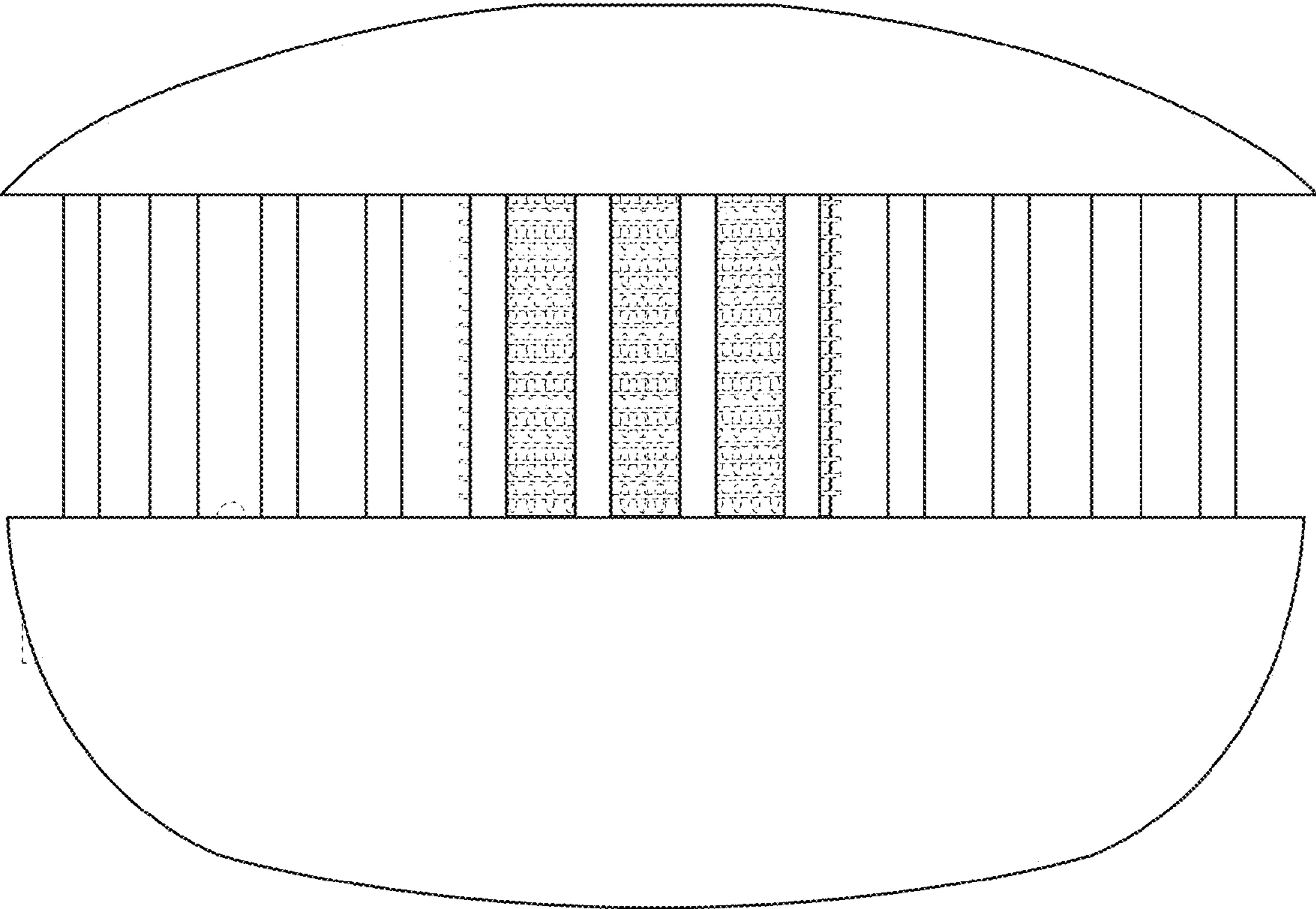


FIG. 13

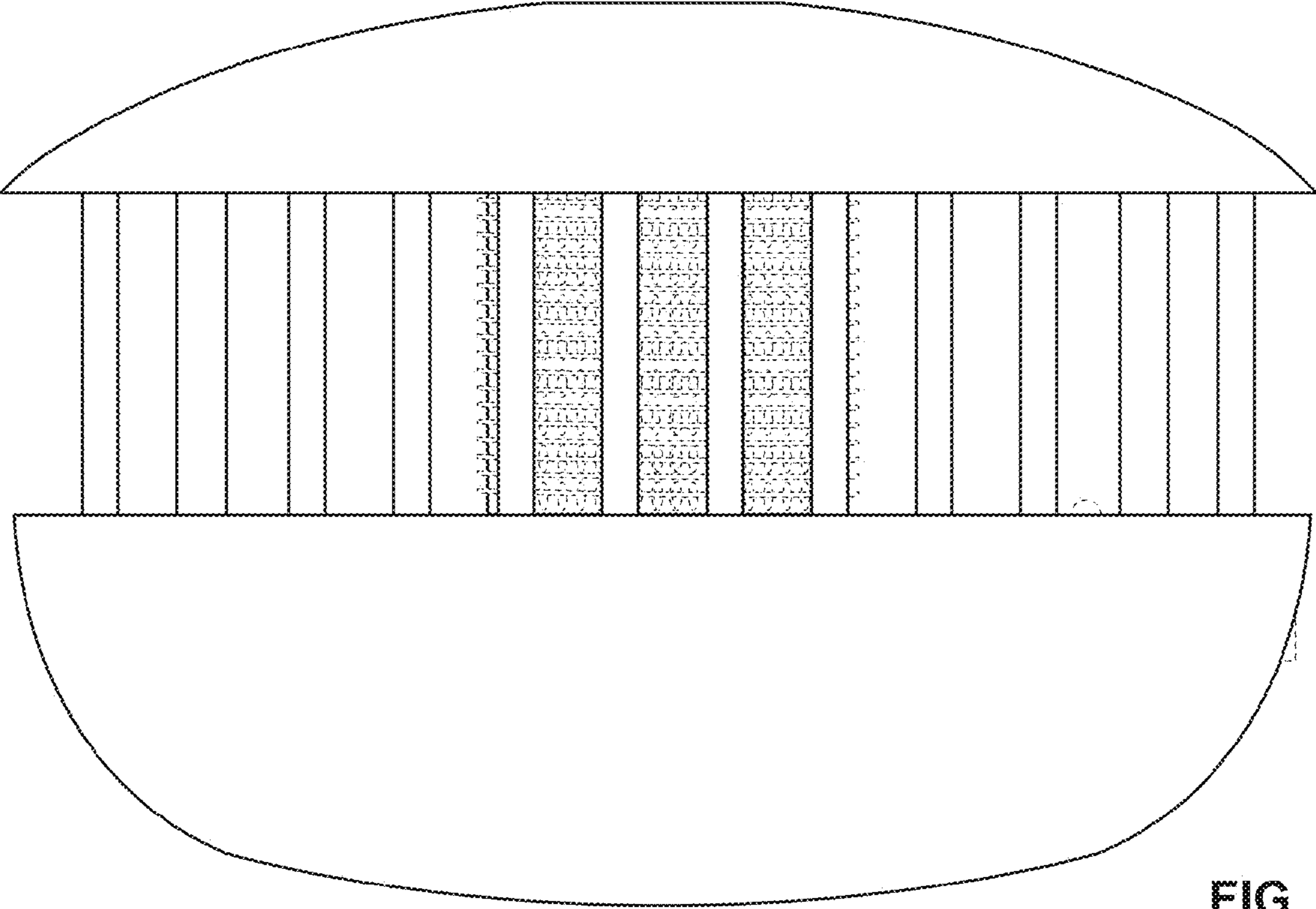


FIG. 14