



US00D950673S

(12) **United States Design Patent**
Xie

(10) **Patent No.:** **US D950,673 S**

(45) **Date of Patent:** **** May 3, 2022**

(54) **MOUNTS FOR ATTACHING GUN SIGHTS**

(71) Applicant: **Shenzhen Leiding Outdoor Equipment Trade Co., Ltd,**
Guangdong (CN)

(72) Inventor: **Wenfei Xie,** Guangdong (CN)

(**) Term: **15 Years**

(21) Appl. No.: **29/760,480**

(22) Filed: **Dec. 1, 2020**

(51) **LOC (13) Cl.** **22-01**

(52) **U.S. Cl.**
USPC **D22/110**

(58) **Field of Classification Search**
USPC D22/100, 103, 108, 109, 110, 199;
D16/130
CPC . F41G 11/003; F41G 1/14; F41G 1/38; F41G
1/16; F41G 1/02; F41G 1/06; F41A
23/005; F41C 23/16

See application file for complete search history.

(56) **References Cited**

U.S. PATENT DOCUMENTS

D317,344 S *	6/1991	Klumpp	D22/110
D383,826 S *	9/1997	Weigand	D22/109
D638,089 S *	5/2011	Ding	D22/109
8,387,300 B1 *	3/2013	Holland	F41G 11/001 42/127
D681,767 S *	5/2013	Li	D22/108
D693,423 S *	11/2013	Beckett	D22/108
D713,921 S *	9/2014	Williams	D22/109
D777,289 S *	1/2017	Cheng	D22/109
D779,623 S *	2/2017	Geissele	D22/110

D819,164 S *	5/2018	Geissele	D22/110
D819,771 S *	6/2018	Geissele	D22/110
2016/0209176 A1 *	7/2016	Zimmer	F41G 11/004
2016/0258716 A1 *	9/2016	Haugen	F41G 11/003

OTHER PUBLICATIONS

“A Guide to Quick-Detach Scope Mounts” [online], Steven Kuo. [Published on Jun. 17, 2018], Retrieved from the Internet: <<https://www.recoilweb.com/guide-to-quick-detach-scope-mounts-57239.html>>.*

* cited by examiner

Primary Examiner — Mojtaba Tehrani

(74) *Attorney, Agent, or Firm* — Prakash Nama; Global IP Services, PLLC

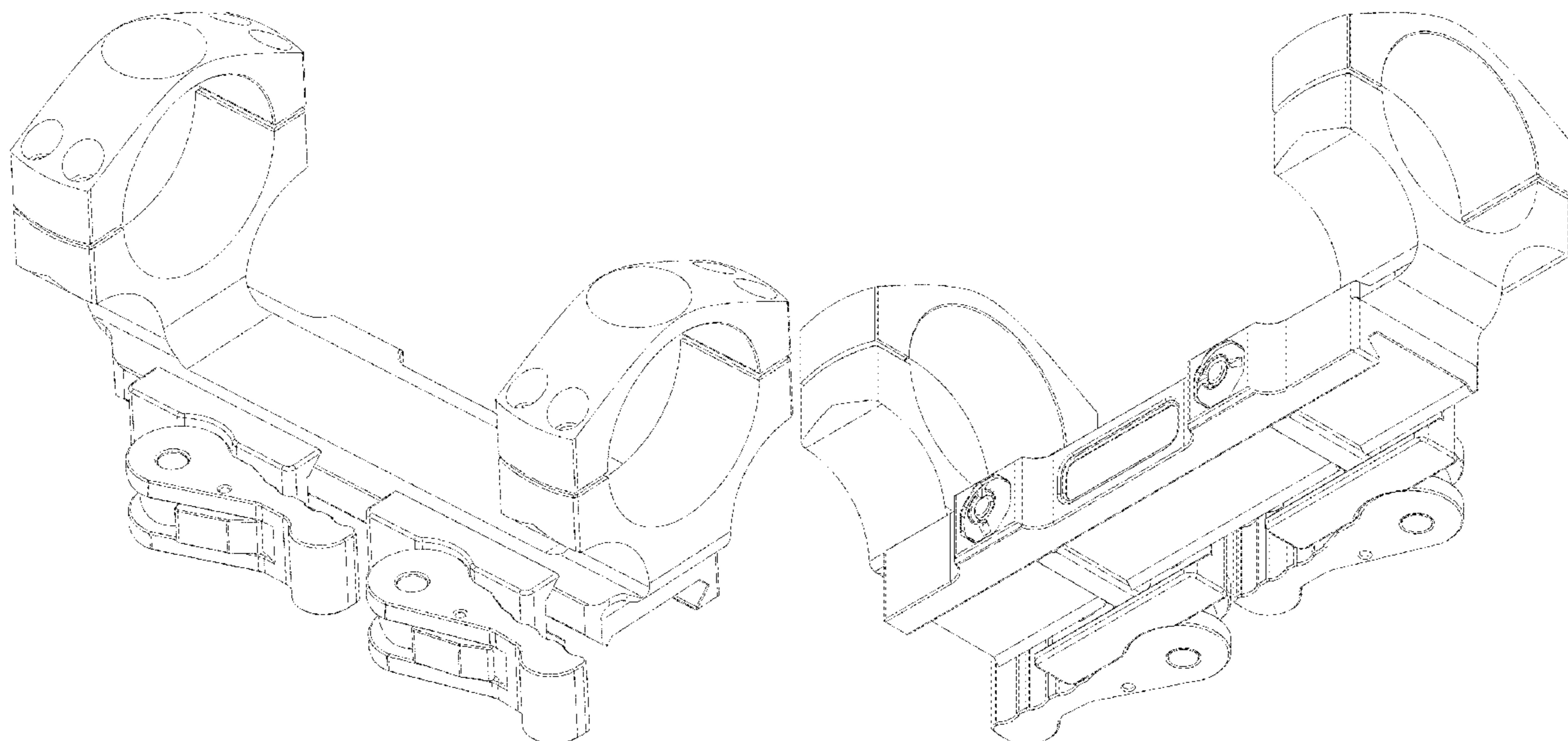
(57) **CLAIM**

The ornamental design for a mounts for attaching gun sights, as shown.

DESCRIPTION

FIG. 1 is a front elevational view of a mounts for attaching gun sights showing my new design; FIG. 2 is a rear elevational view thereof; FIG. 3 is a left side view thereof; FIG. 4 is a right side view thereof; FIG. 5 is a top plan view thereof; FIG. 6 is a bottom plan view thereof; FIG. 7 is a perspective view thereof; FIG. 8 is a second perspective view thereof; FIG. 9 is a third perspective view thereof; and, FIG. 10 is a fourth perspective view thereof.

1 Claim, 10 Drawing Sheets



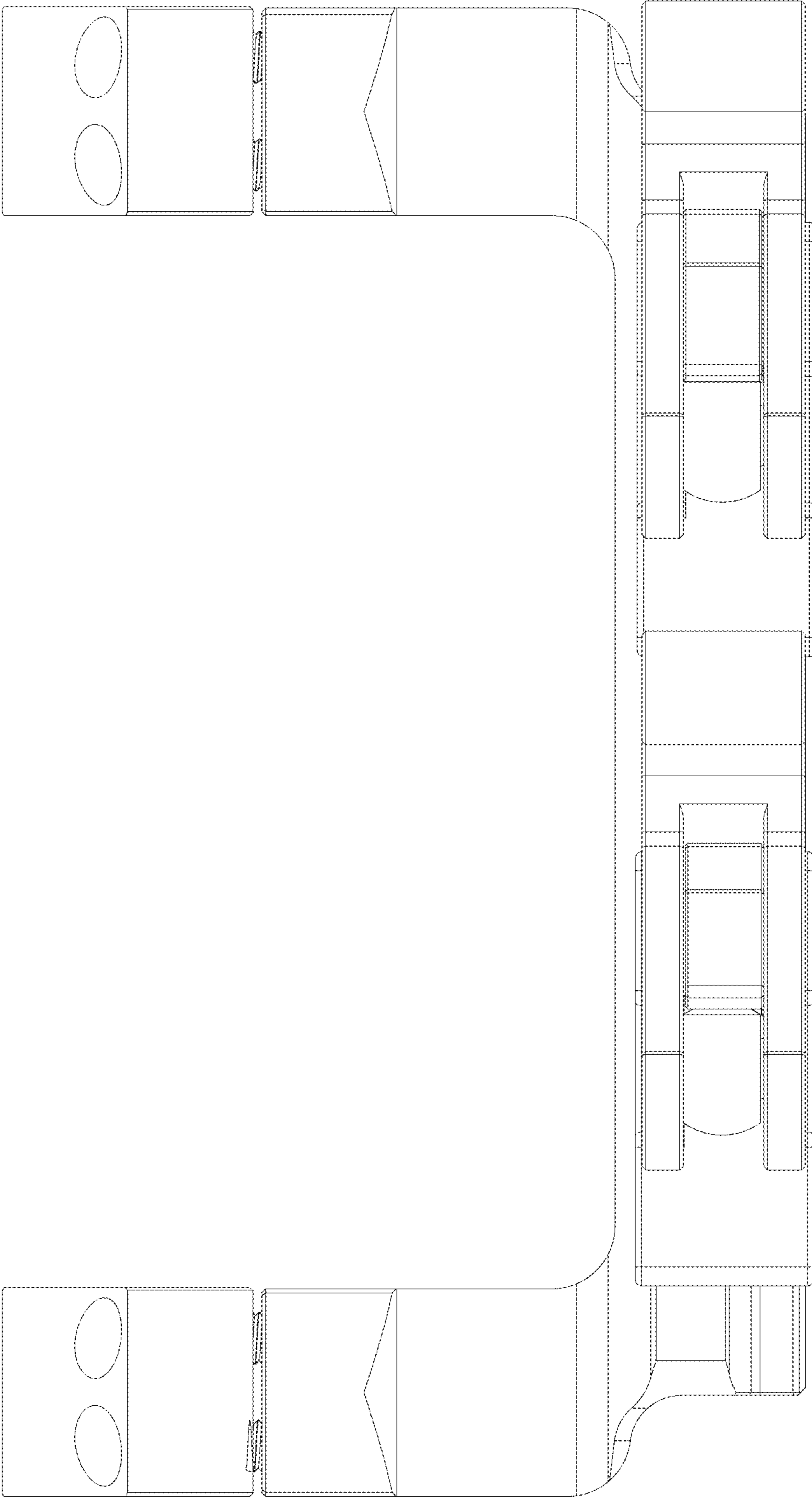


FIG. 1

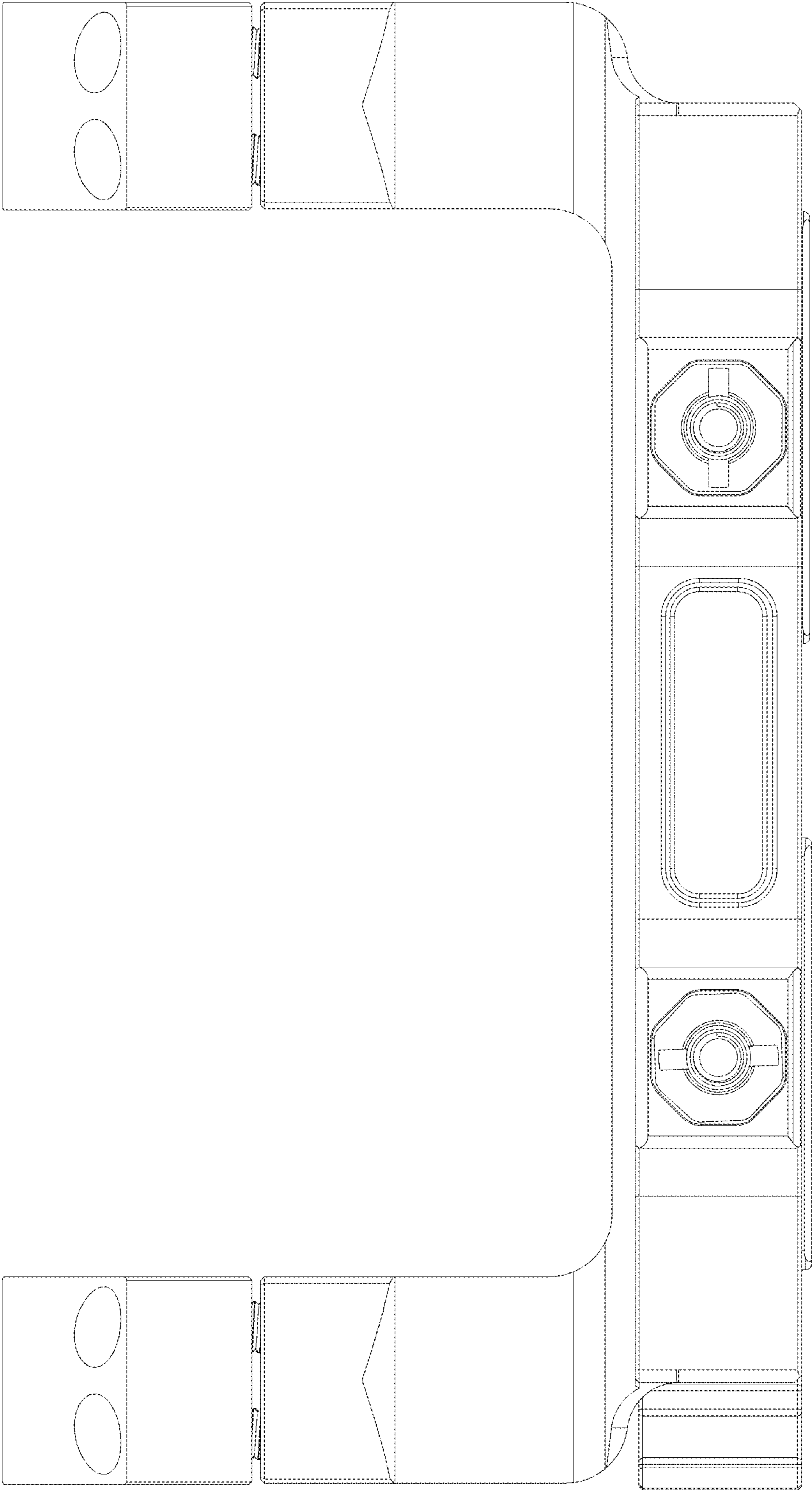


FIG. 2

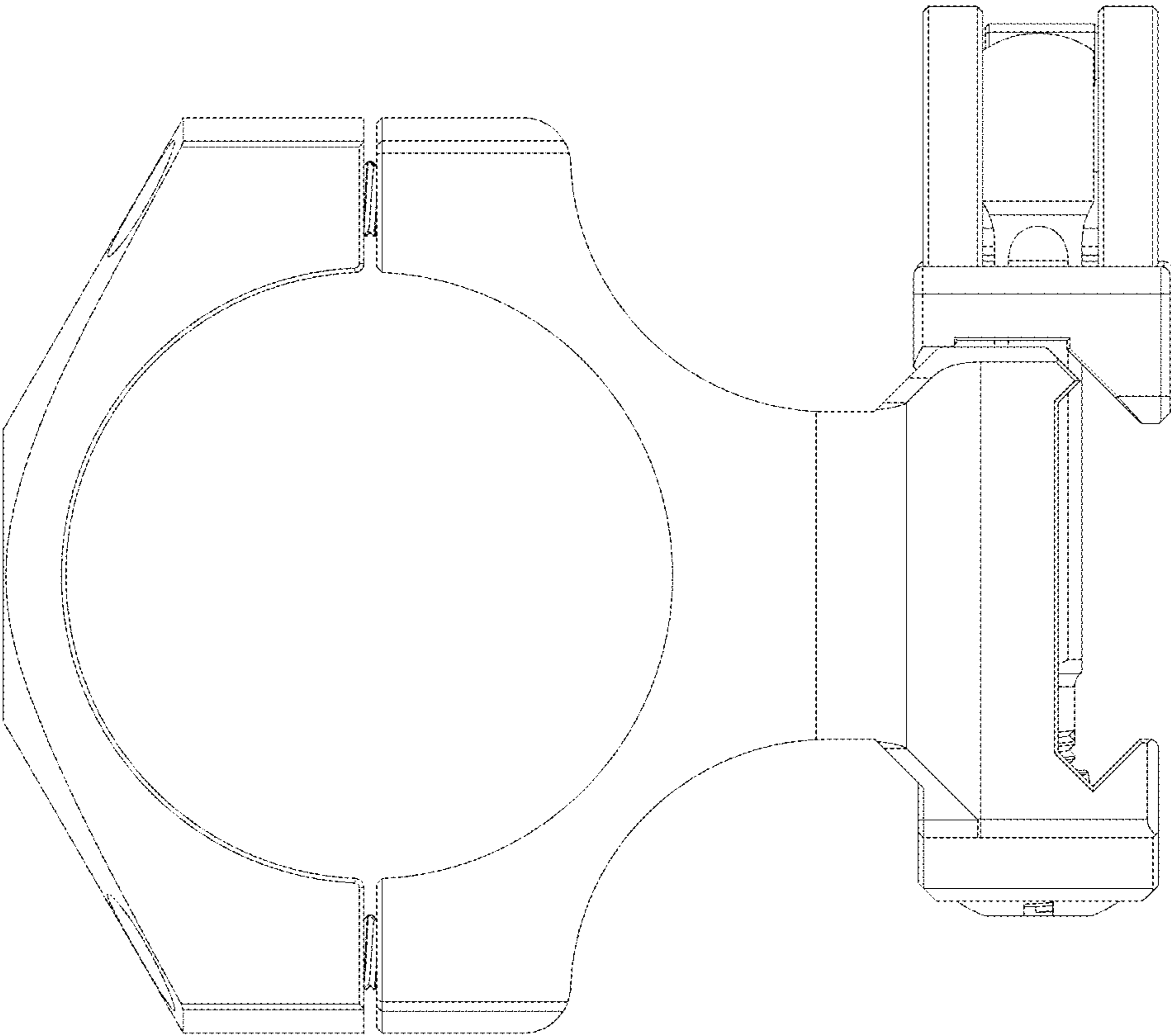


FIG. 3

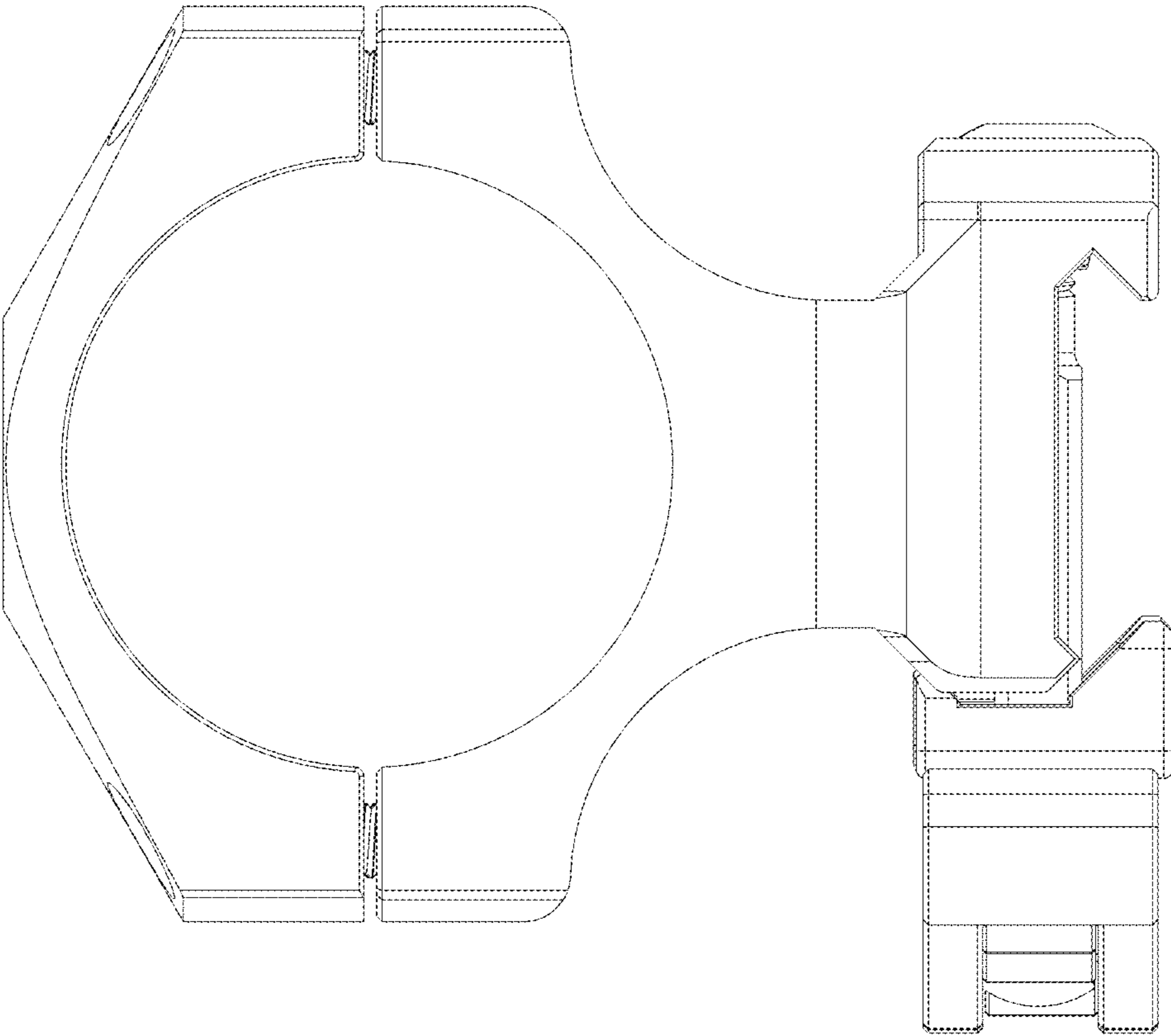


FIG. 4

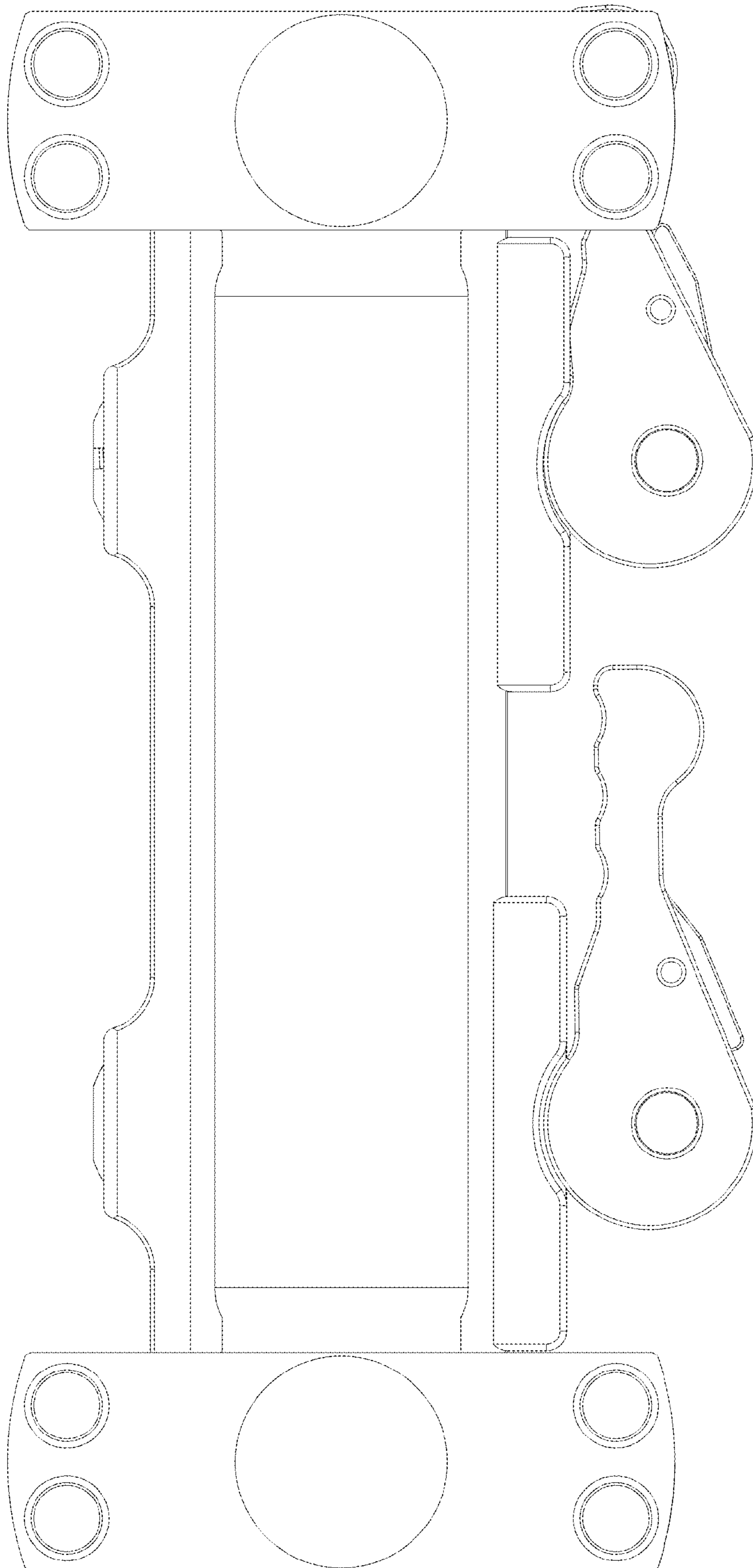


FIG. 5

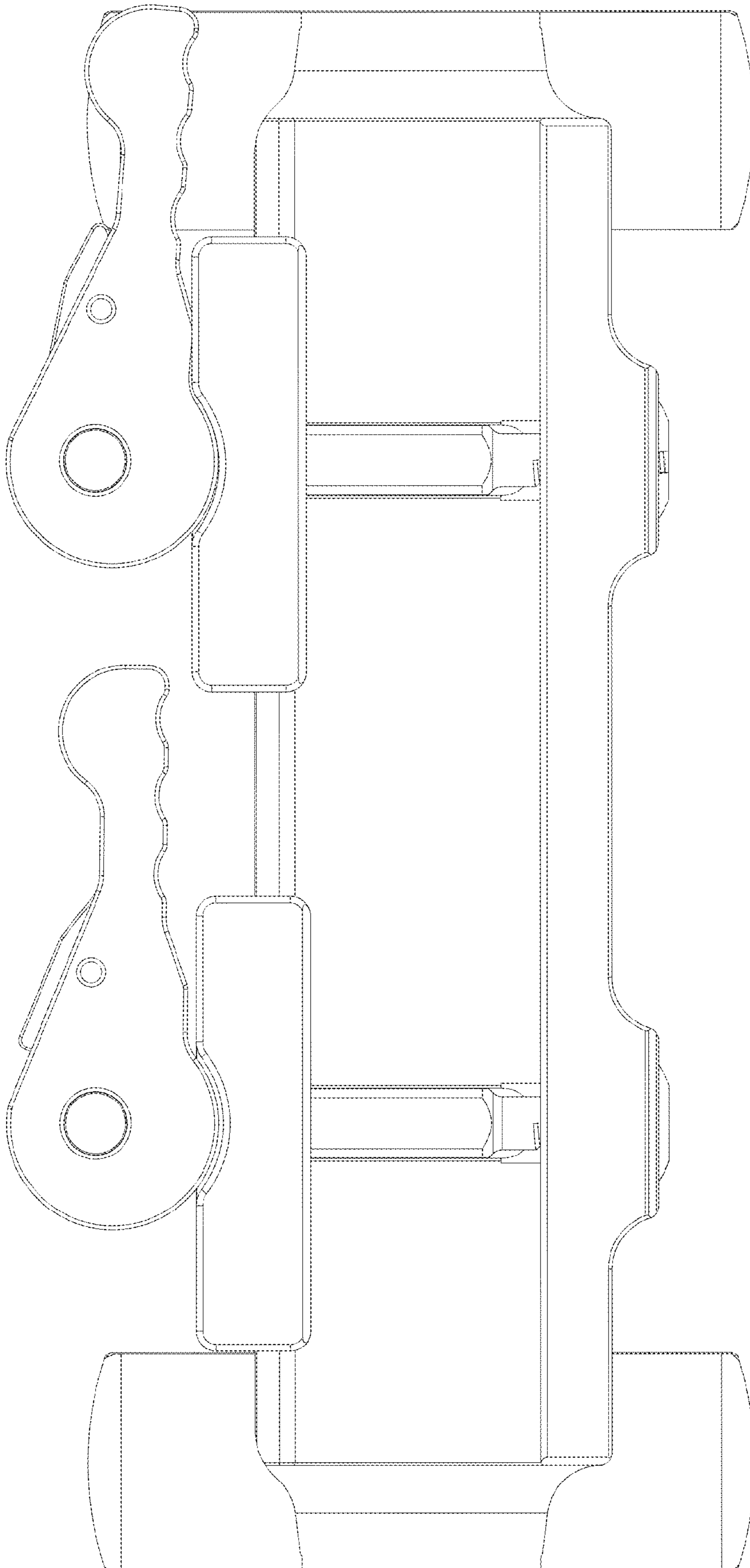


FIG. 6

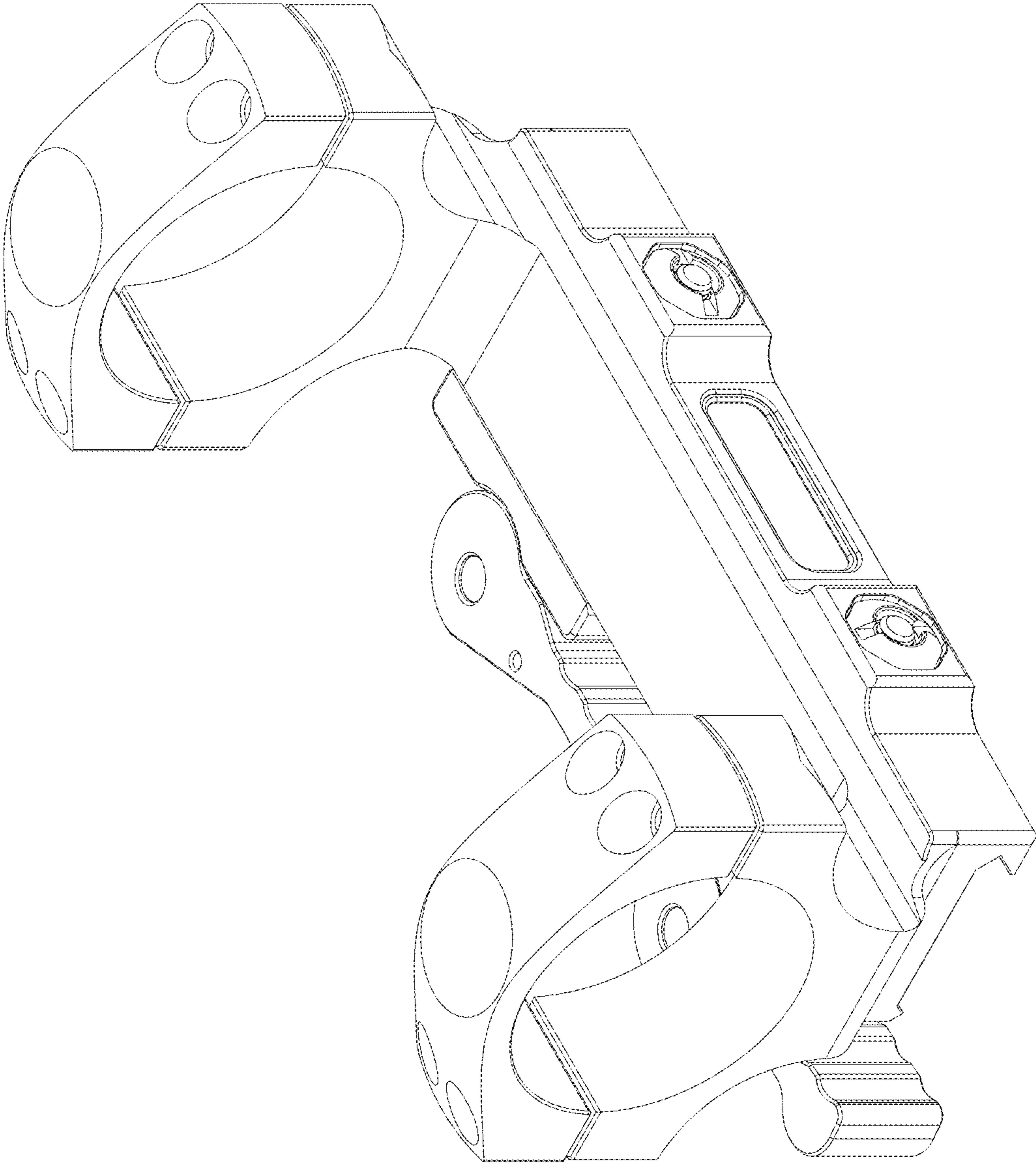


FIG. 7

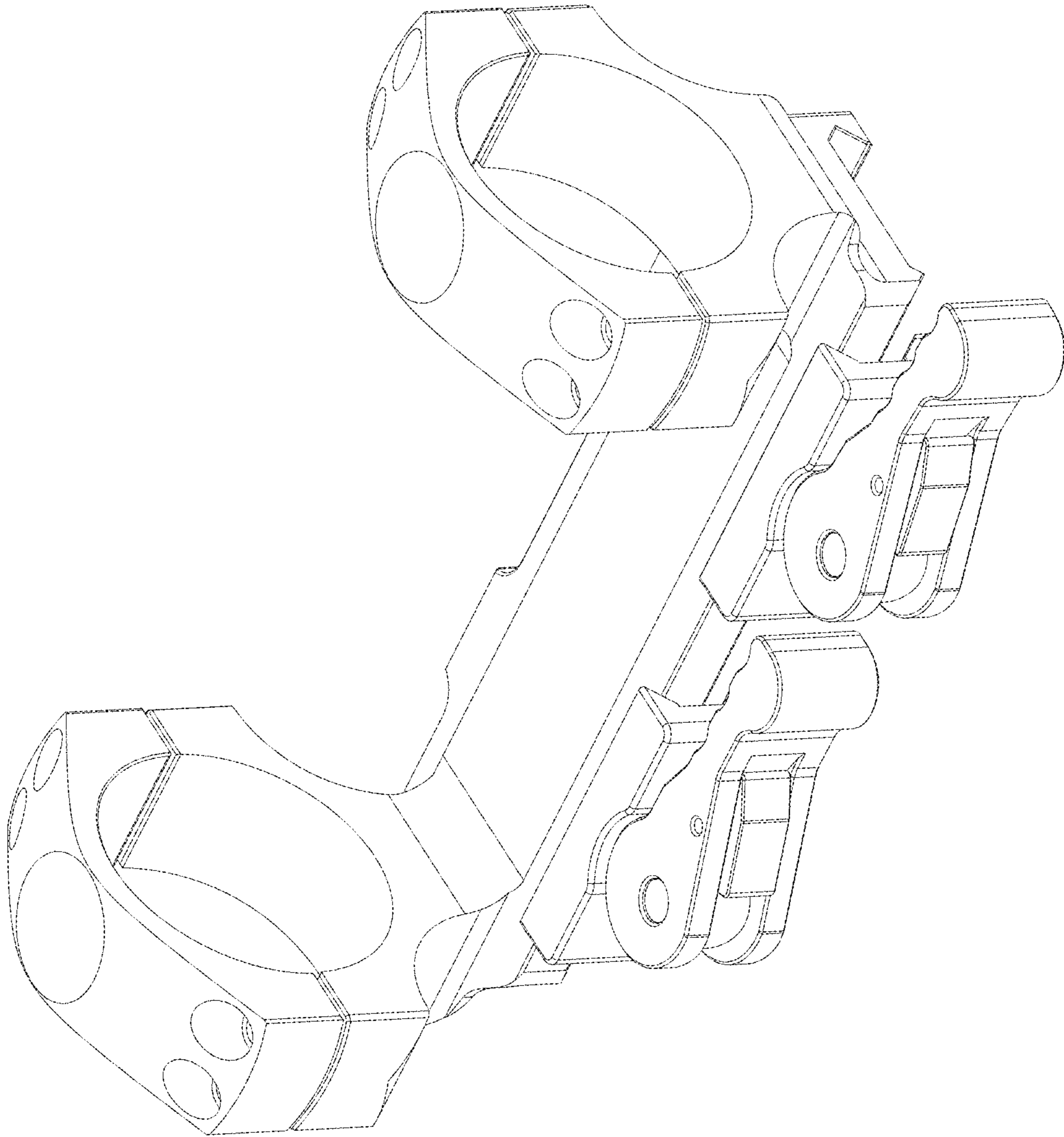


FIG. 8

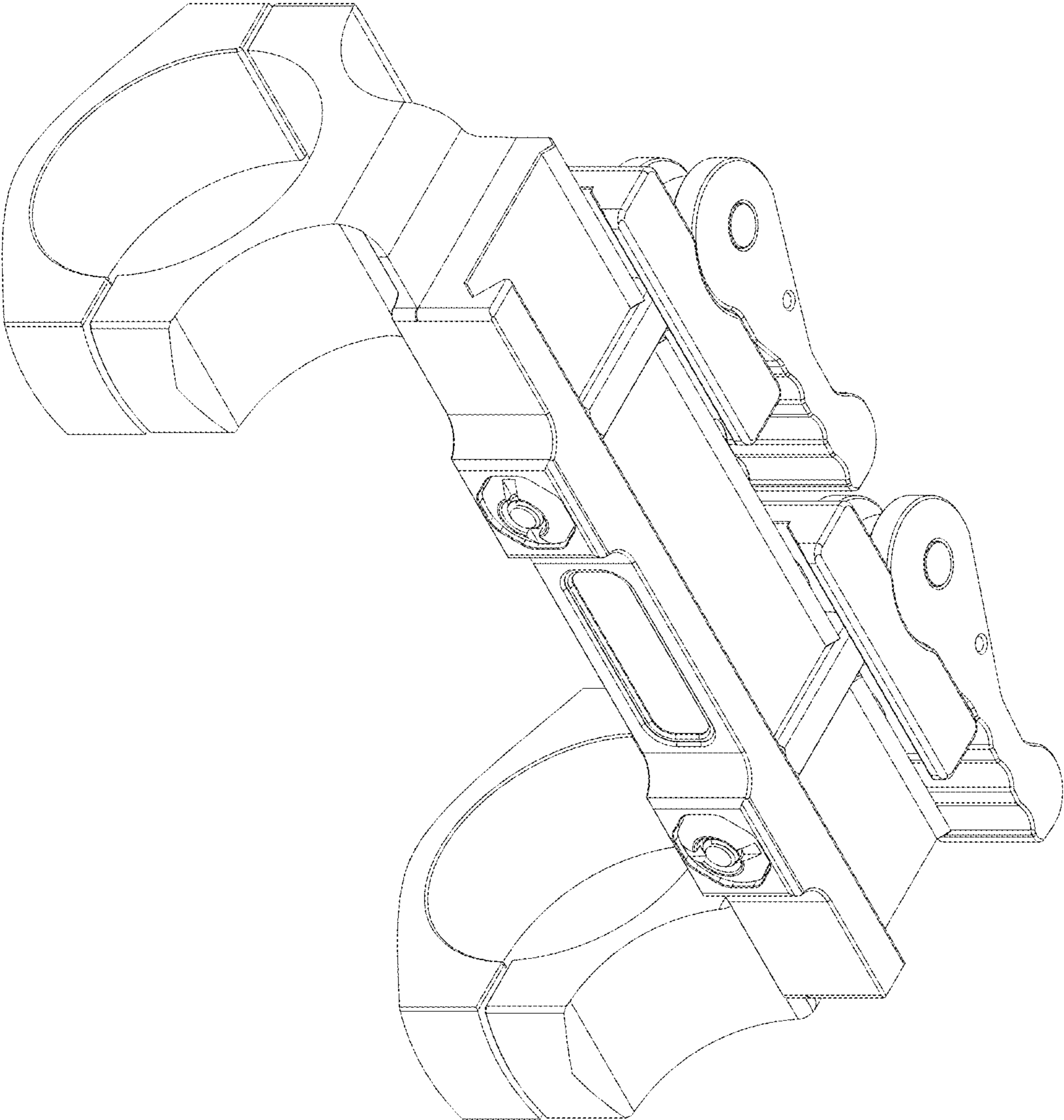


FIG. 9

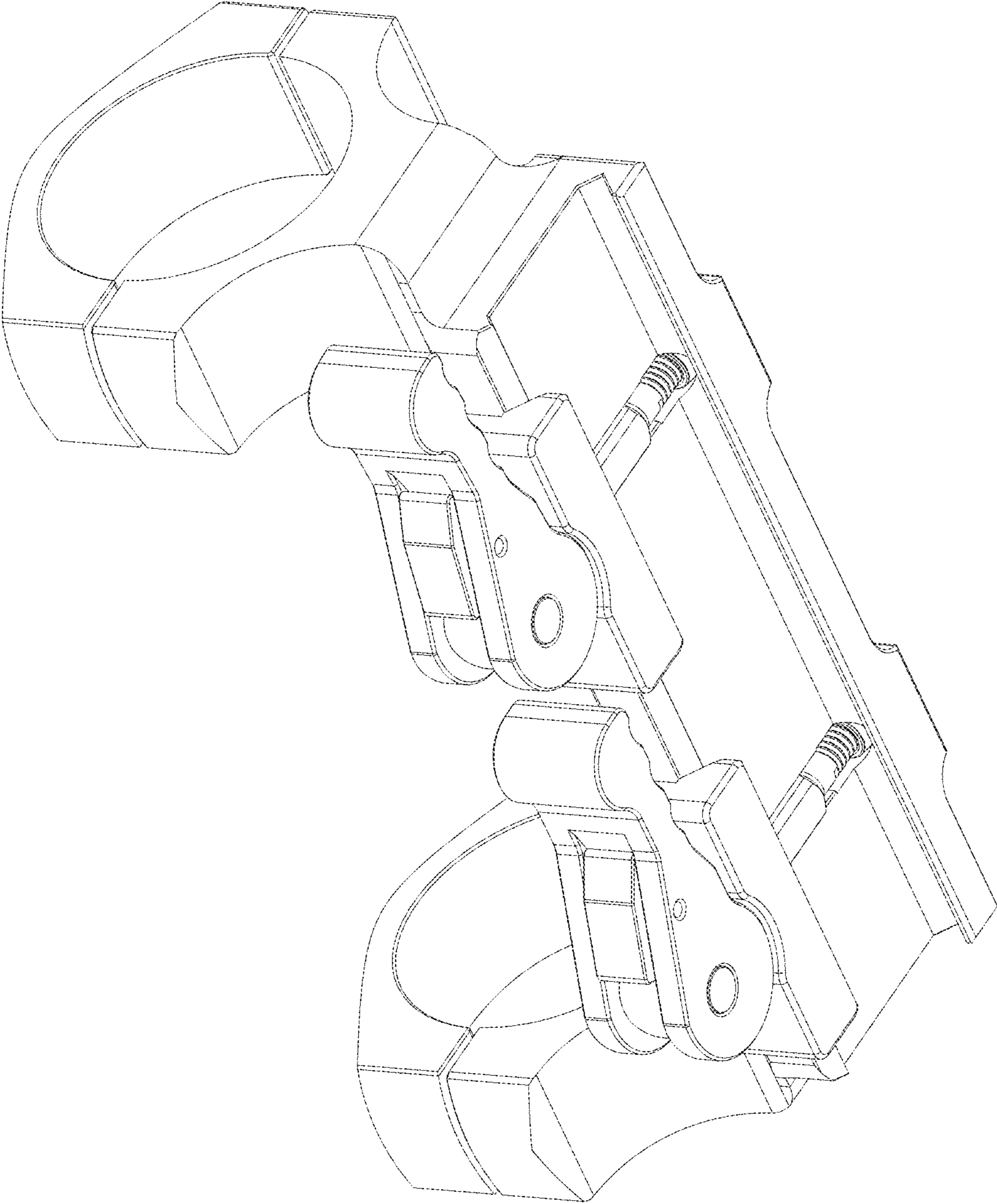


FIG. 10