



US00D950672S

(12) **United States Design Patent** (10) **Patent No.:** **US D950,672 S**
Xie (45) **Date of Patent:** **** May 3, 2022**

(54) **SET OF FRONT SIGHT AND REAR SIGHT FOR GUNS**

D939,658 S * 12/2021 Storch D22/109
2019/0011223 A1* 1/2019 Odle F41G 1/01
2021/0164759 A1* 6/2021 Genna F41G 1/02

(71) Applicant: **Shenzhen Leiding Outdoor Equipment Trade Co., Ltd,**
Guangdong (CN)

(72) Inventor: **Wenfei Xie,** Guangdong (CN)

(**) Term: **15 Years**

(21) Appl. No.: **29/760,479**

(22) Filed: **Dec. 1, 2020**

(51) **LOC (13) Cl.** **22-01**

(52) **U.S. Cl.**
USPC **D22/109**

(58) **Field of Classification Search**
USPC D22/100, 103, 108, 109, 110, 199;
D16/130
CPC . F41G 11/003; F41G 1/14; F41G 1/38; F41G
1/16; F41G 1/02; F41G 1/06; F41A
23/005; F41C 23/16
See application file for complete search history.

(56) **References Cited**

U.S. PATENT DOCUMENTS

D807,463 S *	1/2018	Warensford	D22/109
D807,464 S *	1/2018	Warensford	D22/109
D851,203 S *	6/2019	Ding	D22/109
D852,920 S *	7/2019	Ding	D22/109
D873,947 S *	1/2020	Shelton	D22/109
D878,510 S *	3/2020	Chavez	D22/109
D904,549 S *	12/2020	Storch	D22/109
D917,650 S *	4/2021	Chin	D22/109
D919,036 S *	5/2021	Tong	D22/109
D919,037 S *	5/2021	Tong	D22/109

OTHER PUBLICATIONS

“SIGHTS” [online]. Evike. [Retrieved on Feb. 25, 2022]. Retrieved from the Internet: <https://www.evike.com/index.php?cPath=28_25_109>.*

* cited by examiner

Primary Examiner — Mojtaba Tehrani

(74) *Attorney, Agent, or Firm* — Prakash Nama; Global IP Services, PLLC

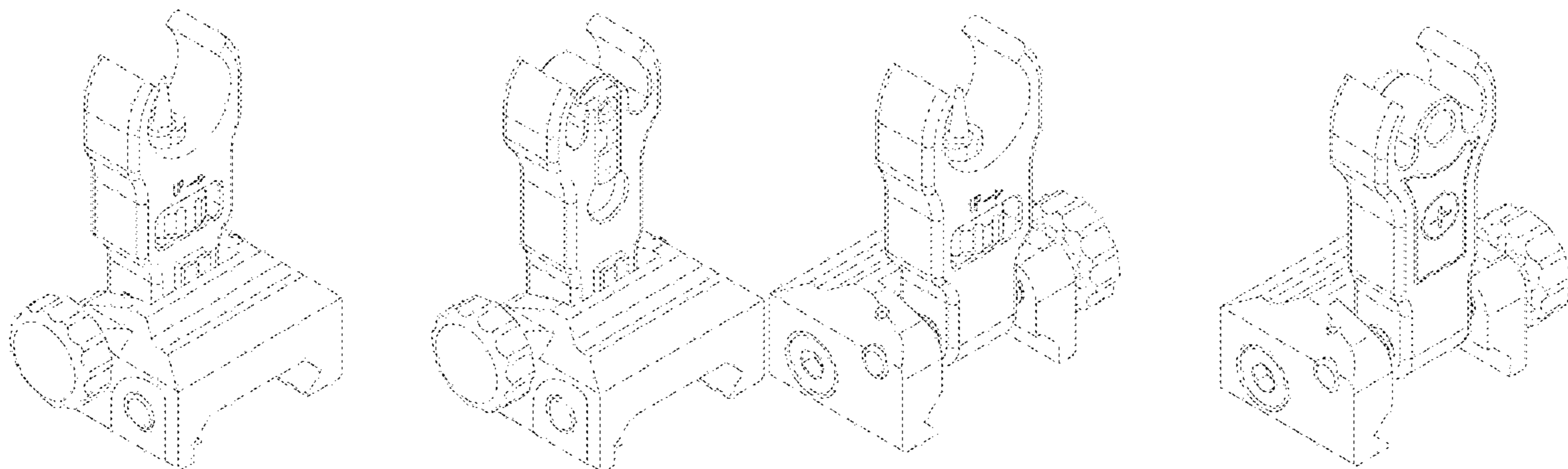
(57) **CLAIM**

The ornamental design for a set of front sight and rear sight for guns, as shown and described.

DESCRIPTION

FIG. 1 is a front elevation view of a set of front sight and rear sight for guns, showing my new design;
FIG. 2 is a rear elevational view thereof;
FIG. 3 is a left side view thereof;
FIG. 4 is a right side view thereof;
FIG. 5 is a top plan view thereof;
FIG. 6 is a bottom plan view thereof;
FIG. 7 is a perspective view thereof;
FIG. 8 is a second perspective view thereof;
FIG. 9 is a third perspective view thereof; and,
FIG. 10 is a fourth perspective view thereof.
The broken line in the drawings discloses unclaimed portions of the sight, which forms no part of the claimed design.

1 Claim, 10 Drawing Sheets



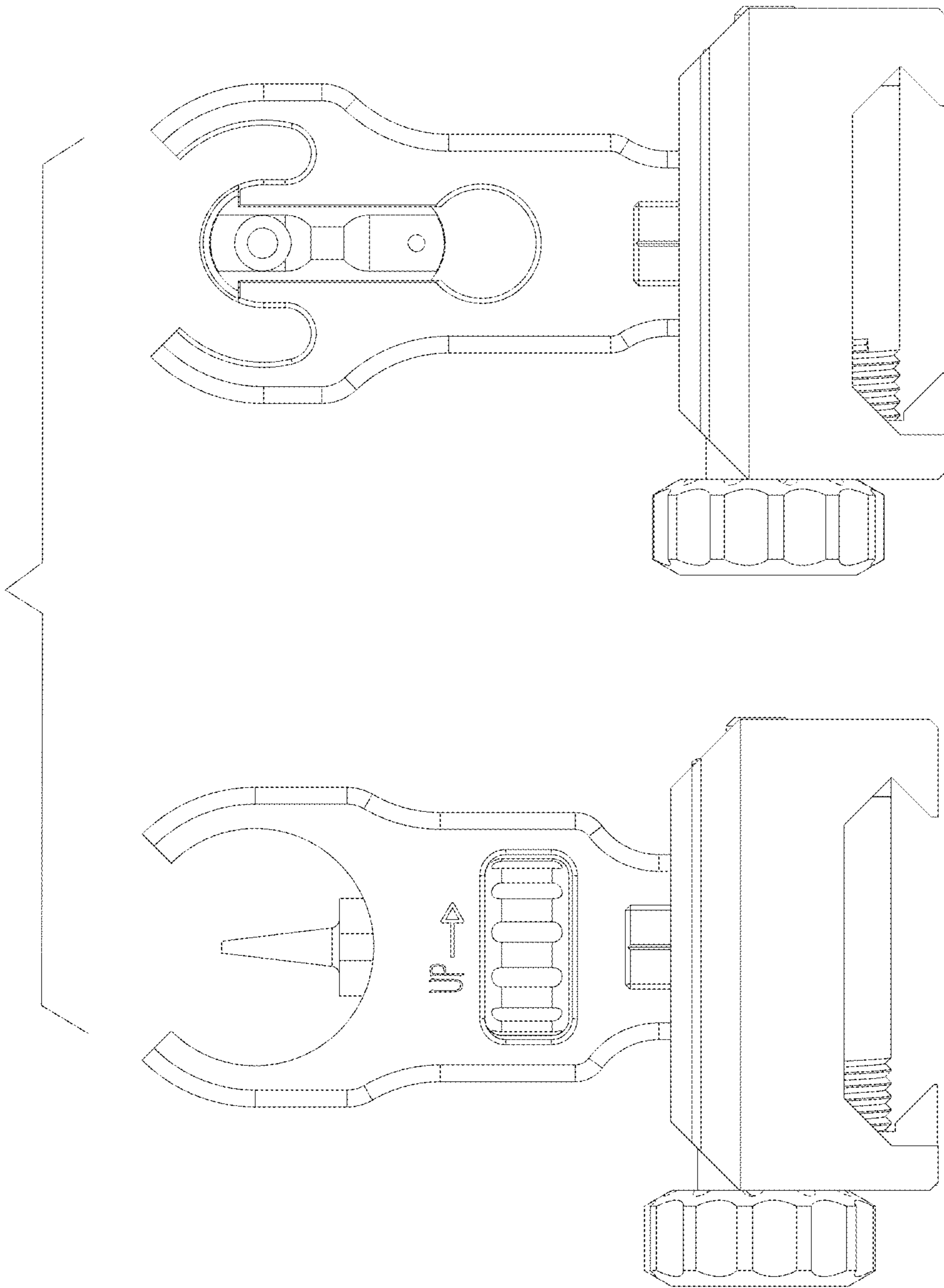


FIG. 1

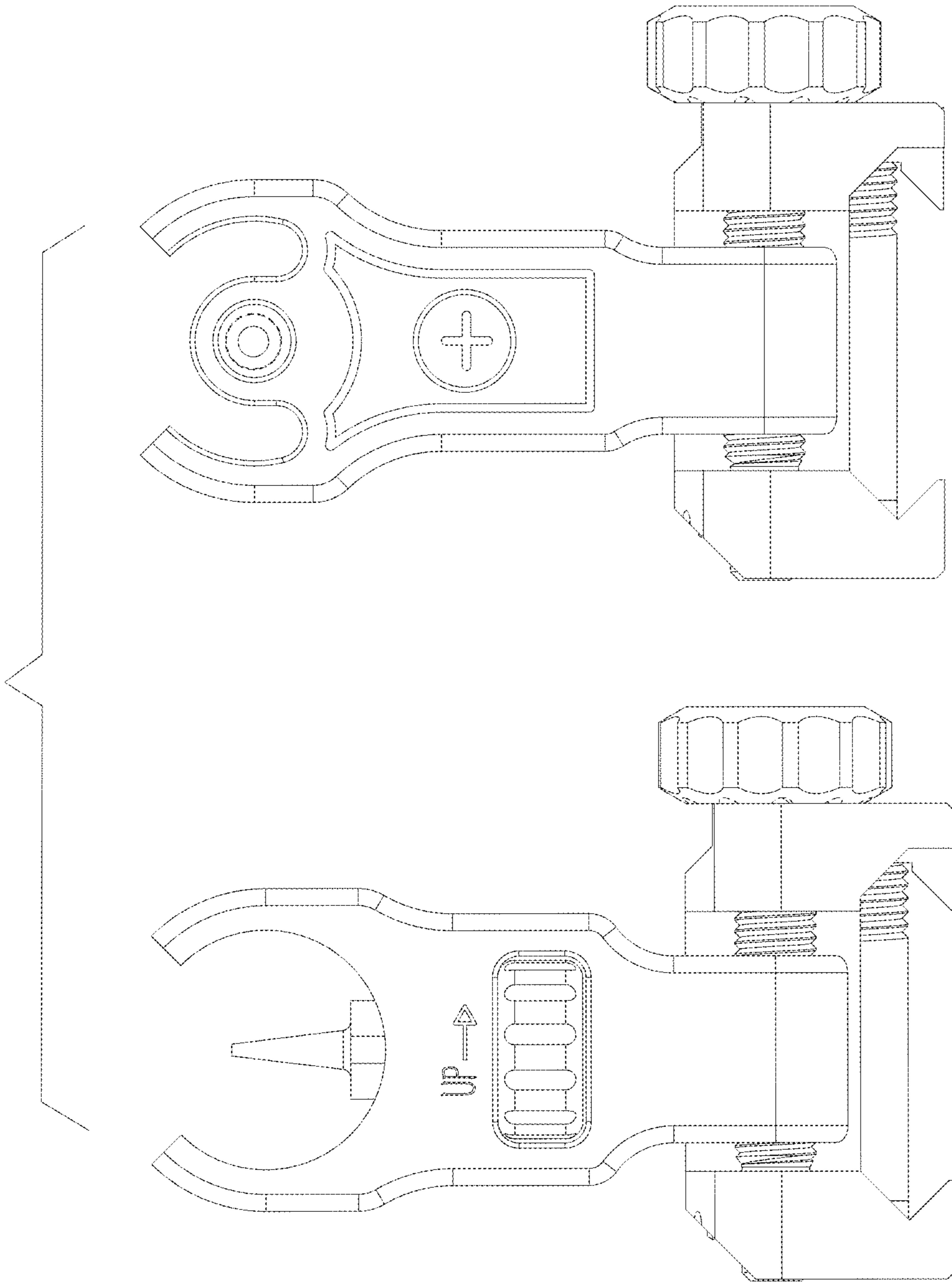


FIG. 2

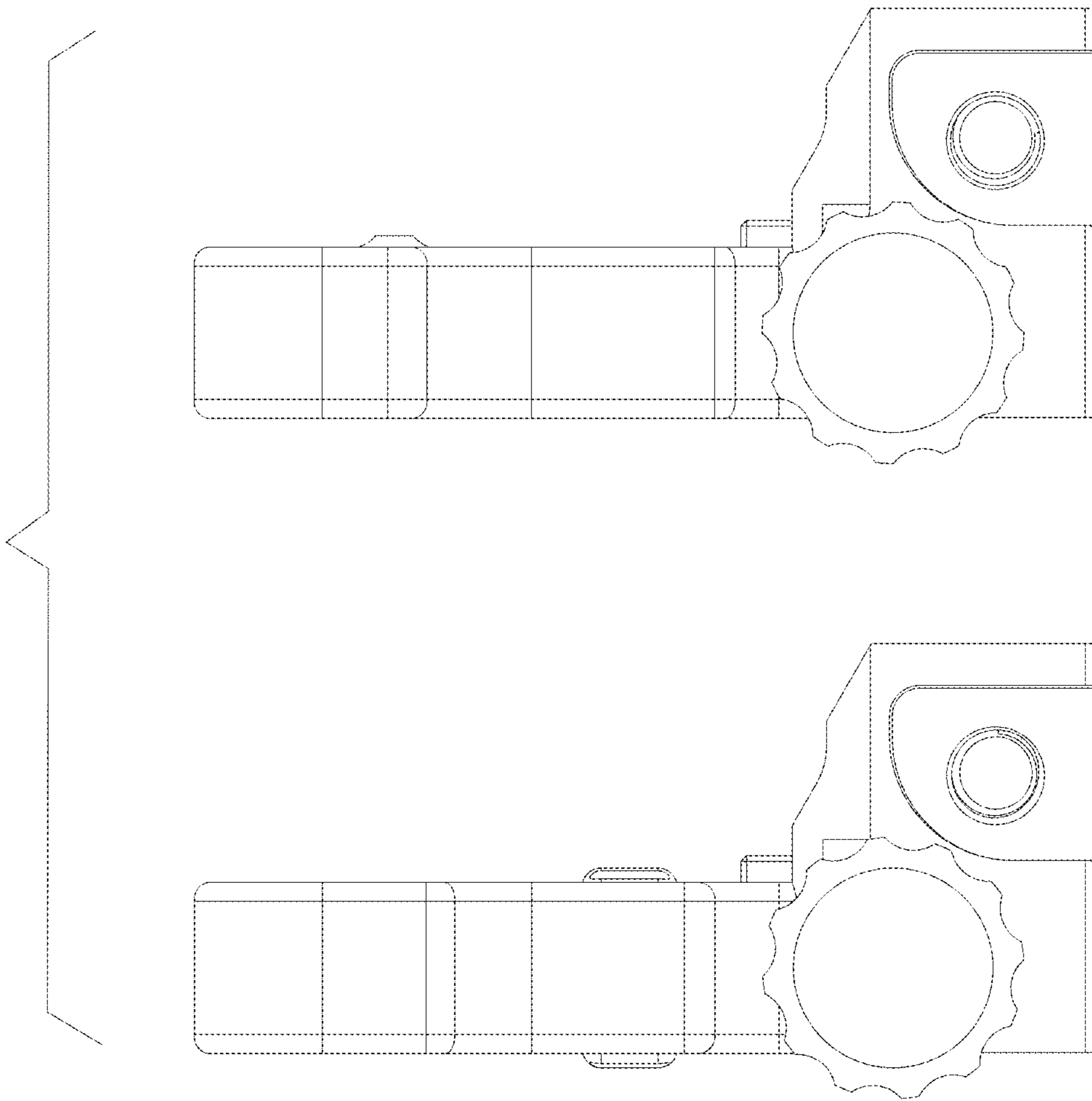


FIG. 3

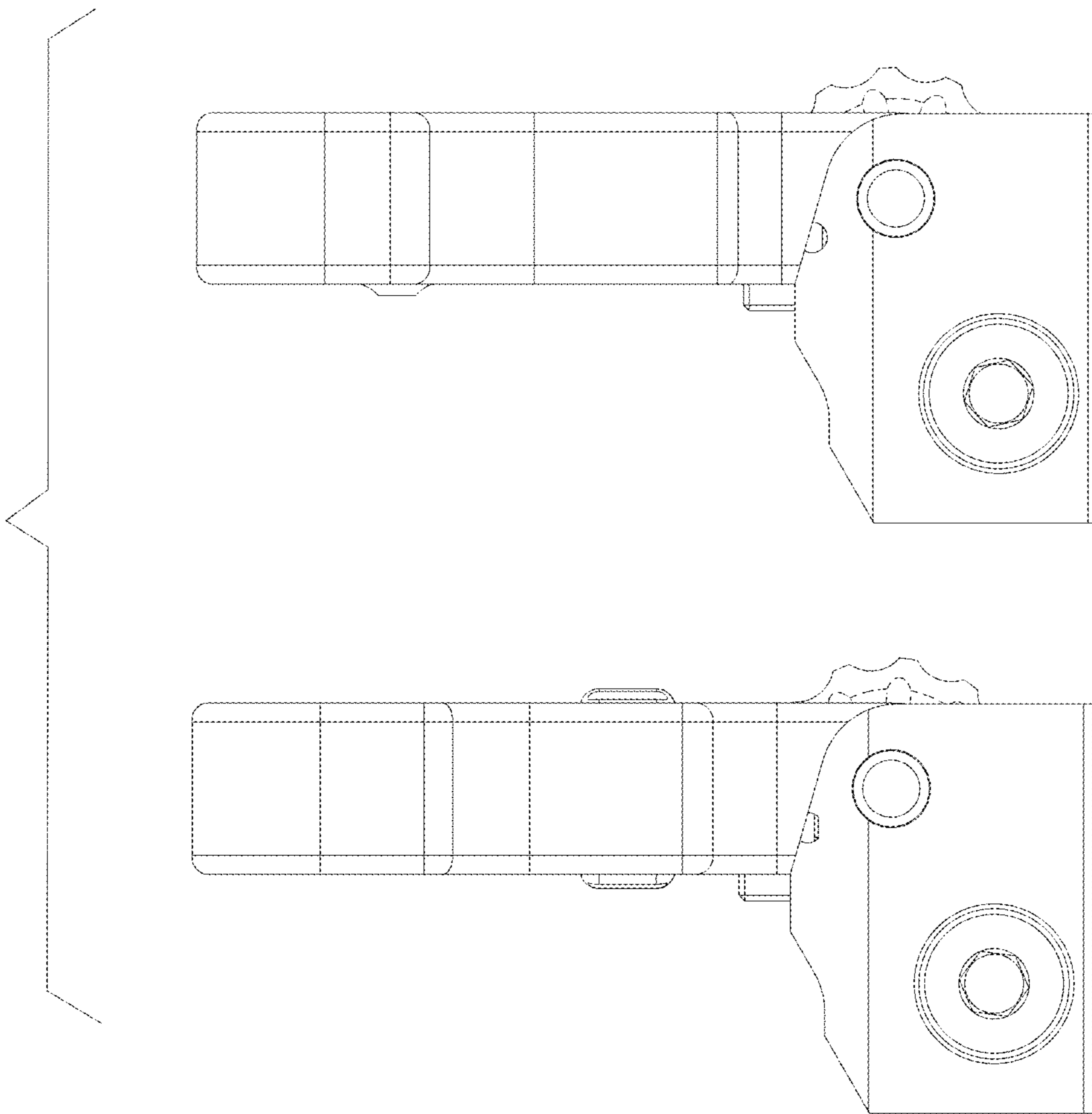


FIG. 4

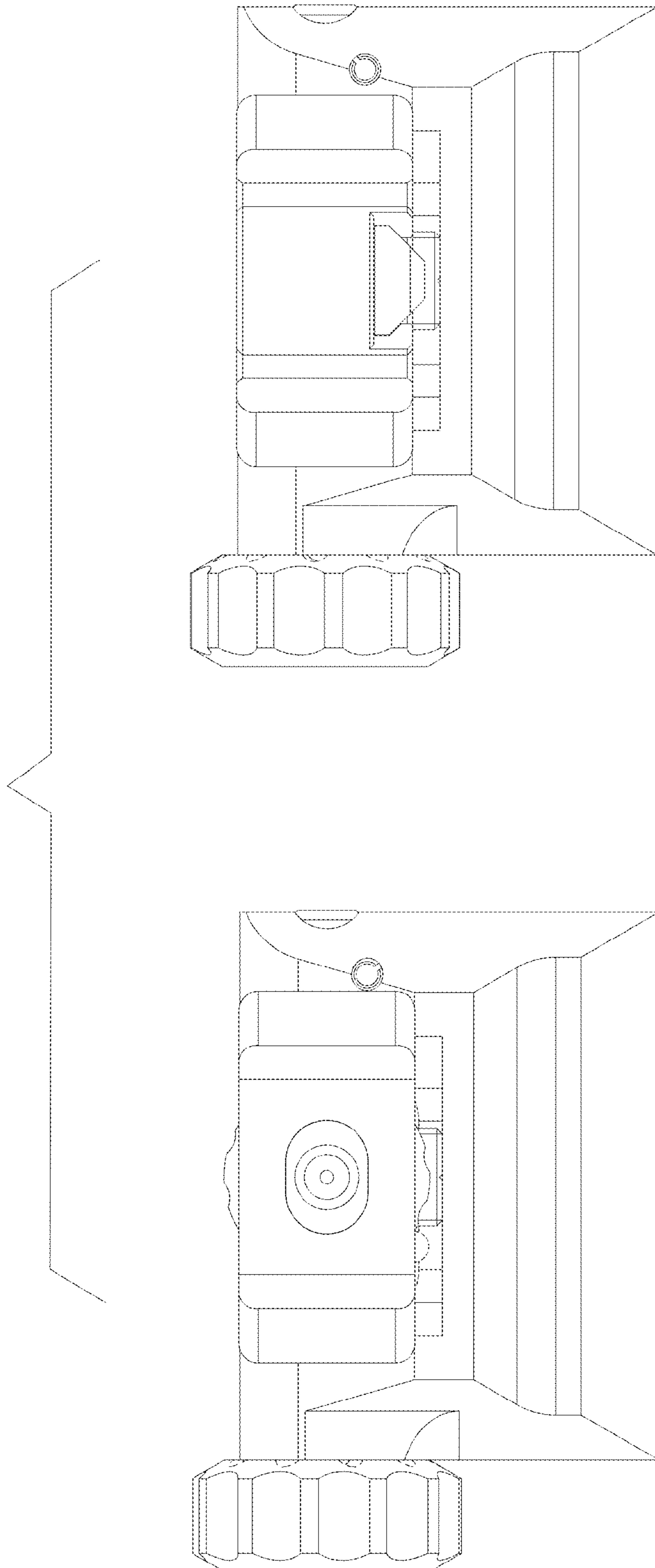


FIG. 5

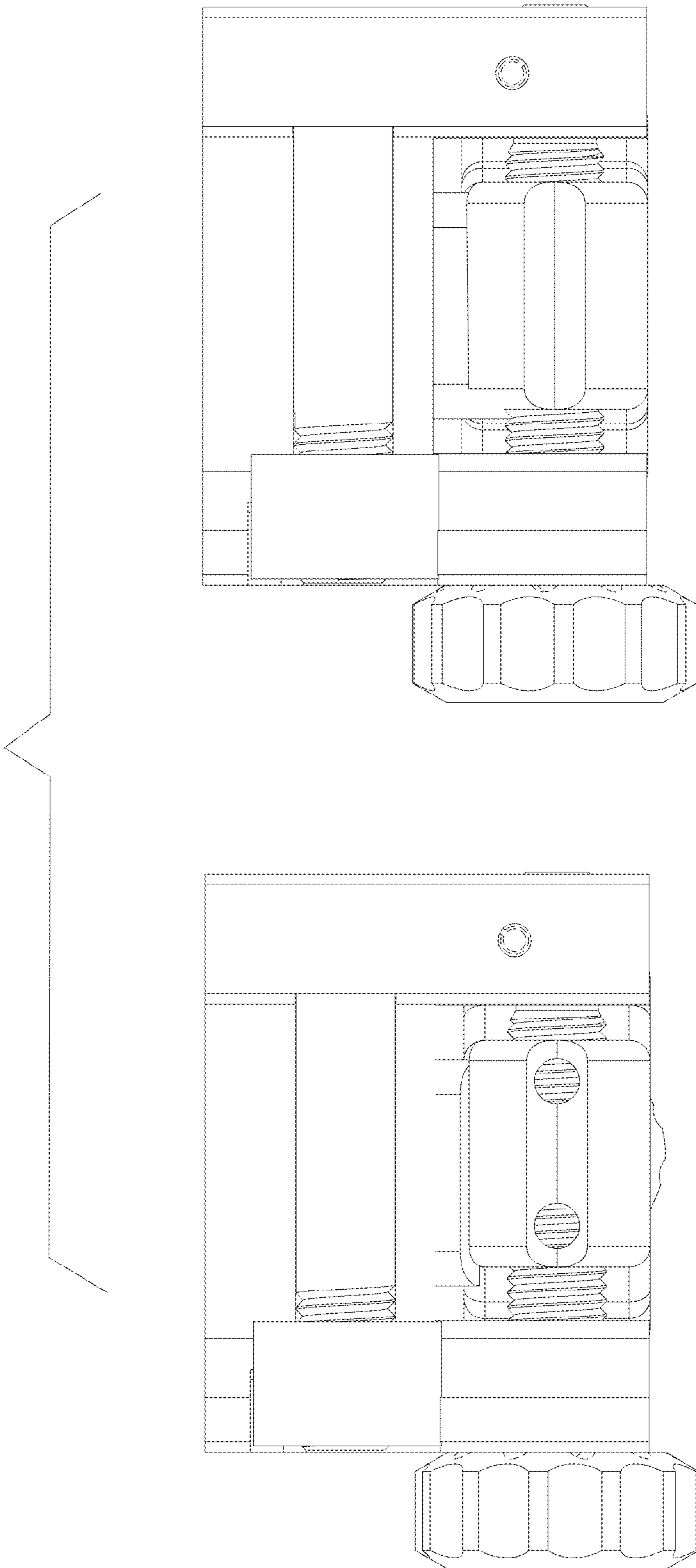


FIG. 6

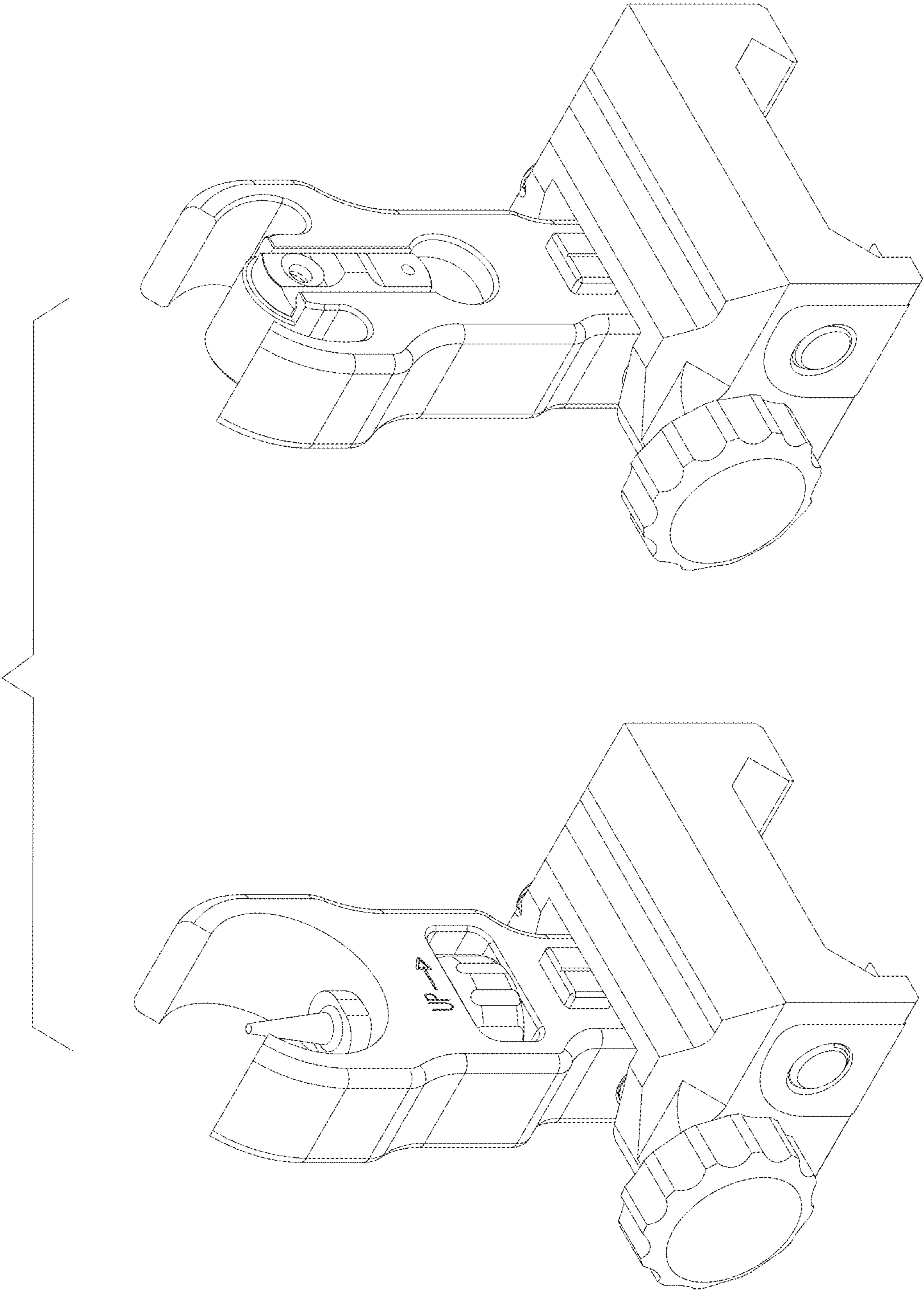


FIG. 7

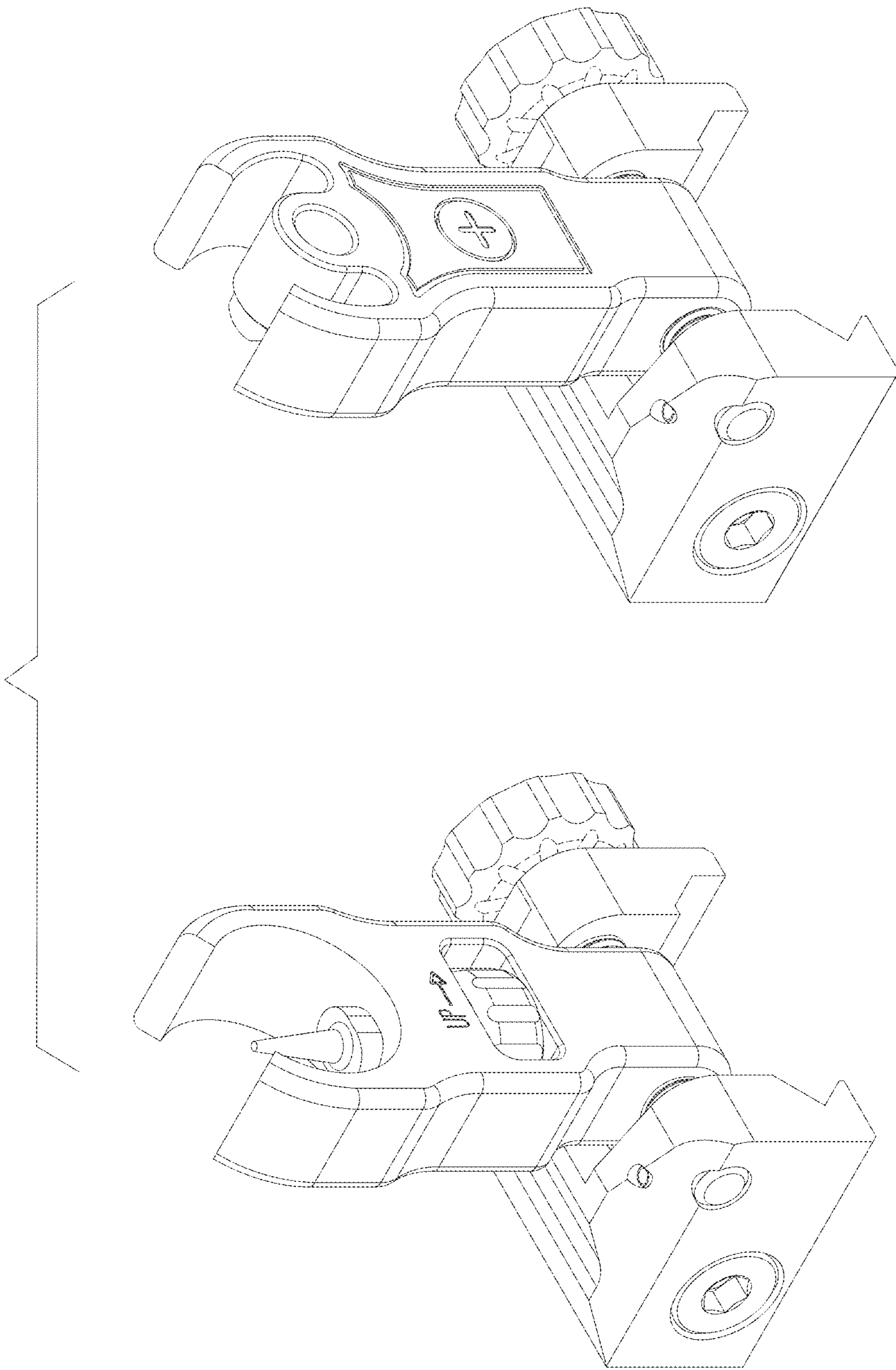


FIG. 8

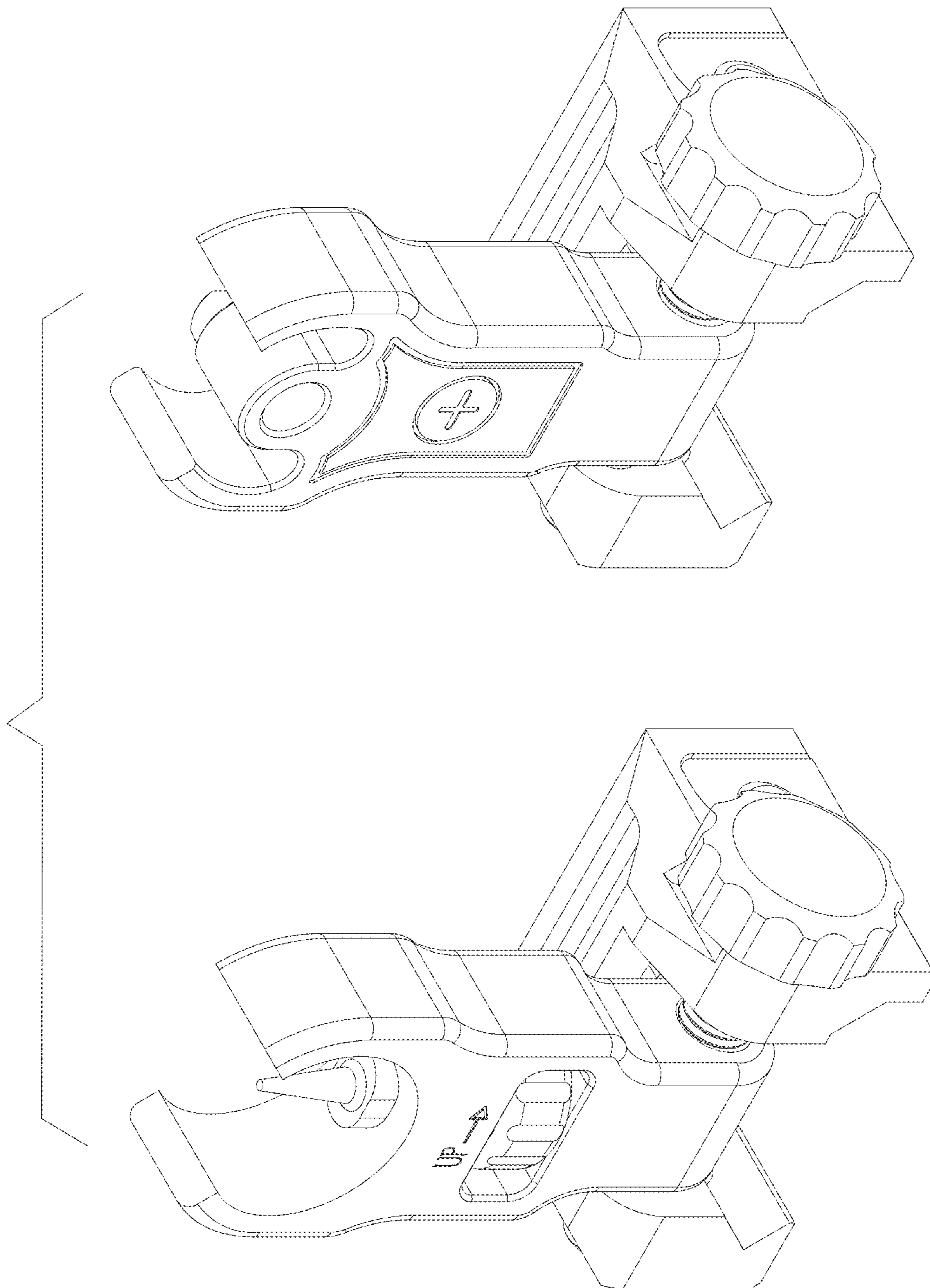


FIG. 9

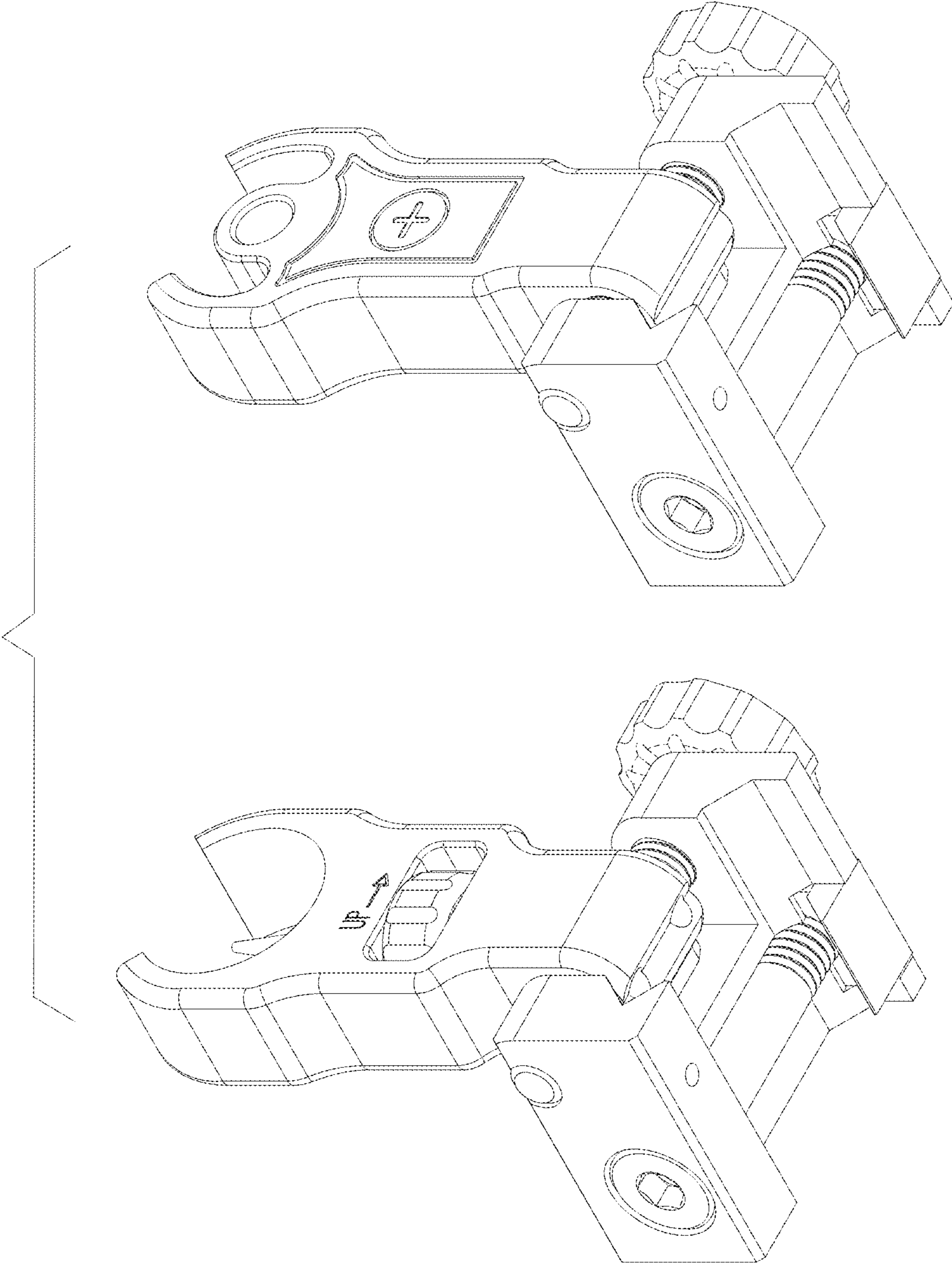


FIG. 10