



US00D950671S

(12) **United States Design Patent** (10) **Patent No.:** **US D950,671 S**  
**Robinson et al.** (45) **Date of Patent:** **\*\* May 3, 2022**

(54) **MUZZLE BRAKE**

D860,368 S \* 9/2019 Hargis ..... D22/108  
D900,954 S \* 11/2020 Losilevsky ..... D22/109  
2021/0404760 A1\* 12/2021 Hipp ..... F41A 21/30

(71) Applicant: **WHG Properties, LLC**, North Wales, PA (US)

**OTHER PUBLICATIONS**

(72) Inventors: **Frank E. Robinson**, Schwenksville, PA (US); **William H. Geissele**, Lower Gwynedd, PA (US)

Attackcoptermedia. "ALG Defense Debuts the Akula Muzzle Brake" Posted: Jul. 10, 2020 [visited: Feb. 3, 2022] attackcopter.com URL: <https://attackcopter.com/2020/07/10/alg-defense-debuts-the-akula-muzzle-brake/> (Year: 2020).\*

(73) Assignee: **WHG Properties, LLC**, North Wales, PA (US)

\* cited by examiner

(\*\*) Term: **15 Years**

*Primary Examiner* — Marissa J Cash  
*Assistant Examiner* — Jessie Anne E Touart

(21) Appl. No.: **29/725,961**

(74) *Attorney, Agent, or Firm* — Fox Rothschild LLP

(22) Filed: **Feb. 28, 2020**

(57) **CLAIM**

The ornamental design for a muzzle brake, as shown and described.

(51) **LOC (13) Cl.** ..... **22-01**

**DESCRIPTION**

(52) **U.S. Cl.**

USPC ..... **D22/108**

(58) **Field of Classification Search**

USPC ..... D22/100, 101, 103, 104, 105, 108, 199;  
D21/573-575; D9/435, 436, 437, 438,  
D9/439, 440

CPC ..... F41A 21/30; F41A 21/325; F41A 13/00;  
F41A 21/44; F41A 35/04

See application file for complete search history.

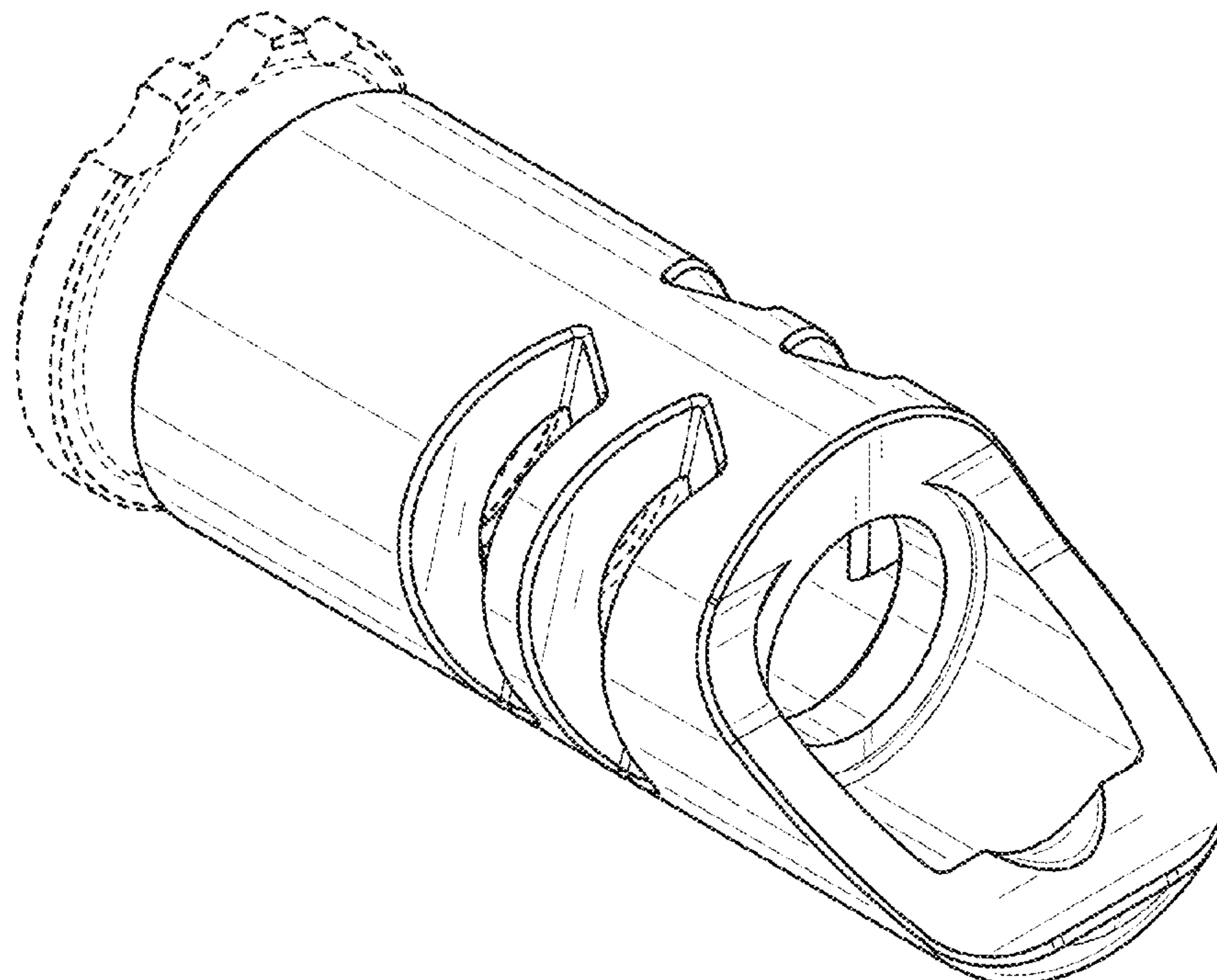
FIG. 1 is a top, front, right perspective view of a muzzle brake according to the present disclosure.  
FIG. 2 is a top, back, right perspective view of the muzzle brake of FIG. 1.  
FIG. 3 is a bottom, front, left perspective view of the muzzle brake of FIG. 1.  
FIG. 4 is a bottom, back, right perspective view of the muzzle brake of FIG. 1.  
FIG. 5 is a right side view of the muzzle brake of FIG. 1.  
FIG. 6 is a left side view of the muzzle brake of FIG. 1.  
FIG. 7 is a top view of the muzzle brake of FIG. 1.  
FIG. 8 is a bottom view of the muzzle brake of FIG. 1.  
FIG. 9 is a front view of the muzzle brake of FIG. 1; and, FIG. 10 is a back view of the muzzle brake of FIG. 1.  
The broken lines in the Figures illustrate portions of the article that form no part of the claimed design.

(56) **References Cited**

**U.S. PATENT DOCUMENTS**

D532,072 S \* 11/2006 Price ..... D22/108  
D729,894 S \* 5/2015 DeLuca ..... D22/108  
D754,275 S \* 4/2016 Geissele ..... D22/108  
D767,076 S \* 9/2016 Bebee ..... D22/108  
D851,197 S \* 6/2019 Geissele ..... D22/108

**1 Claim, 5 Drawing Sheets**



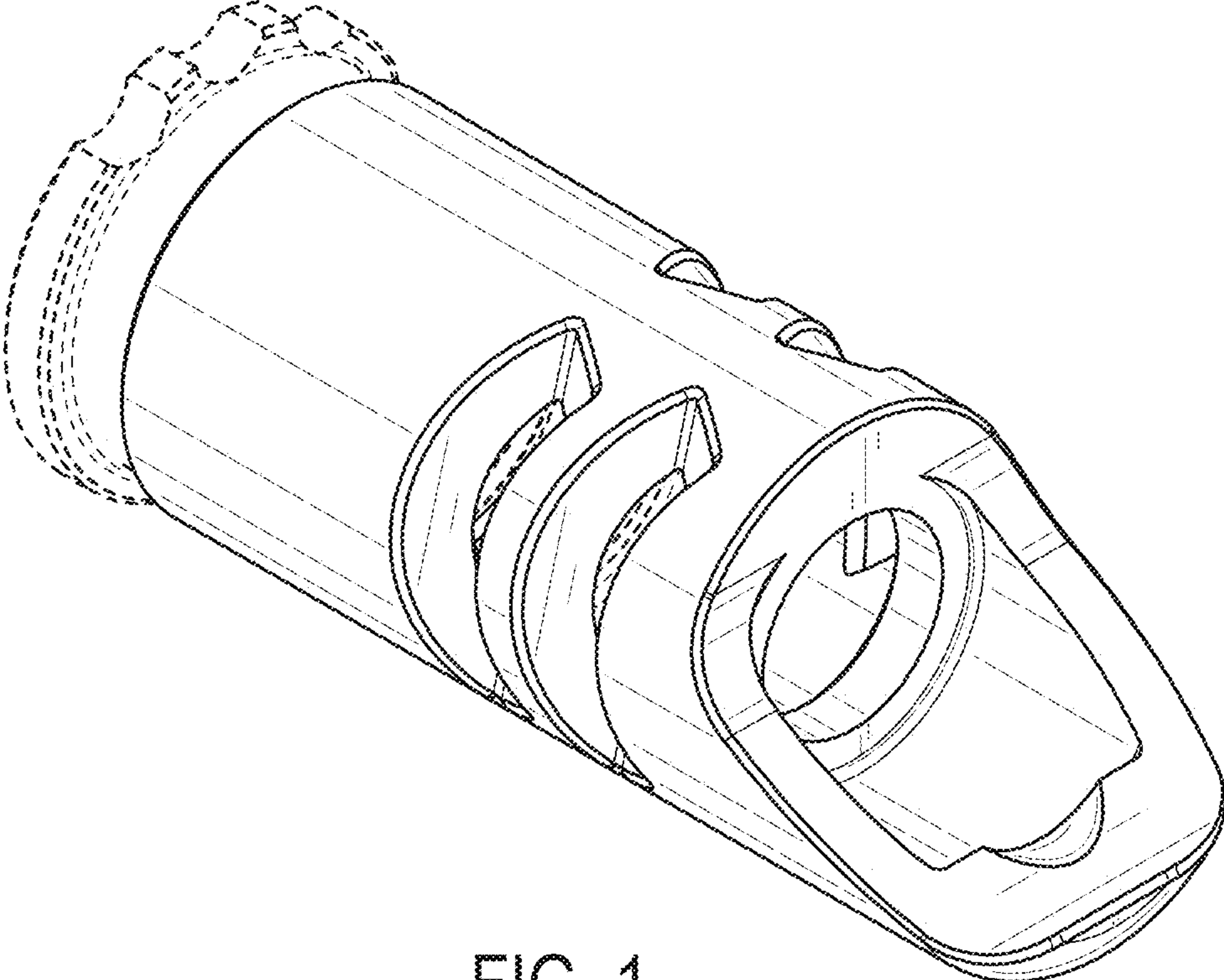


FIG. 1

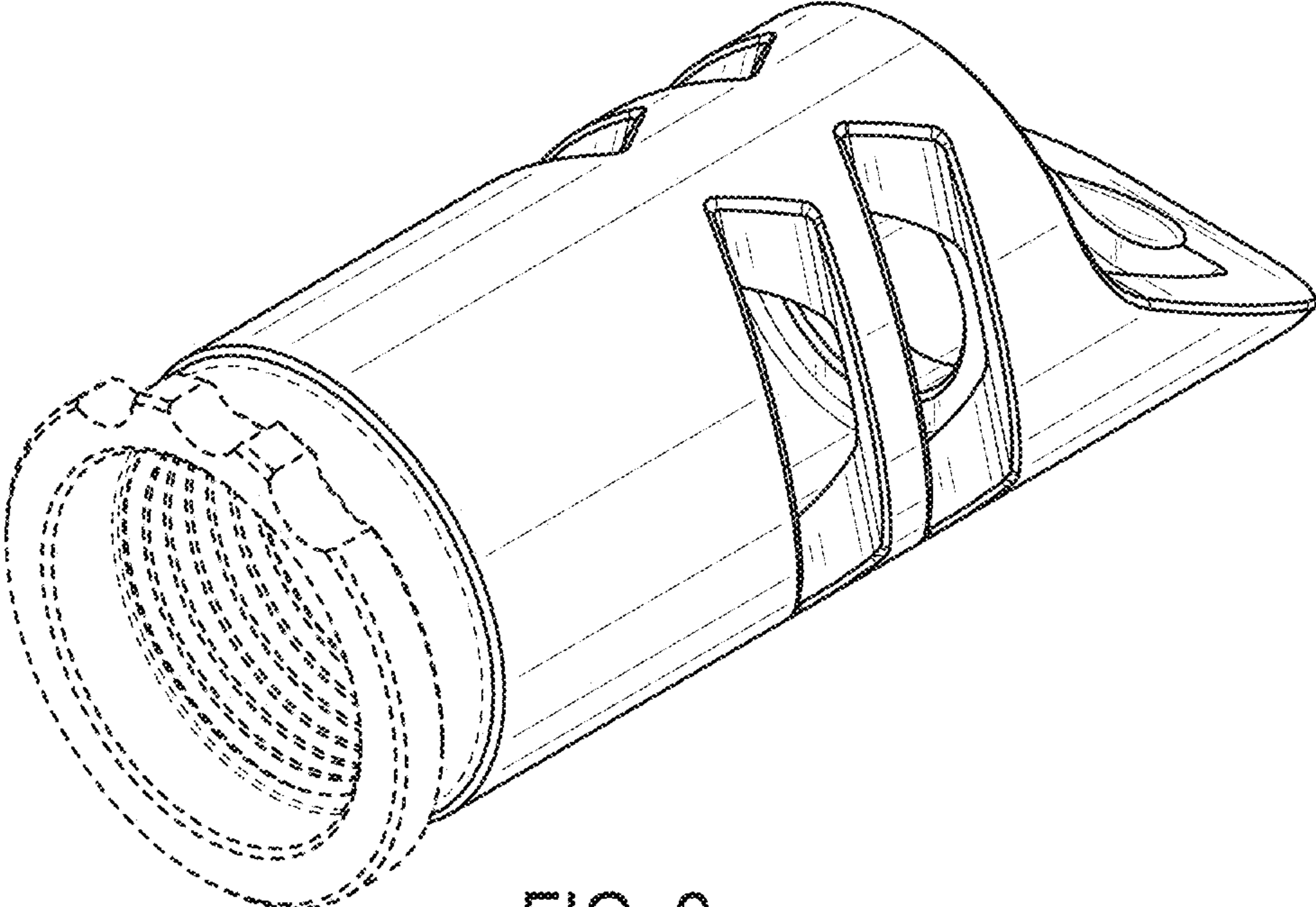


FIG. 2

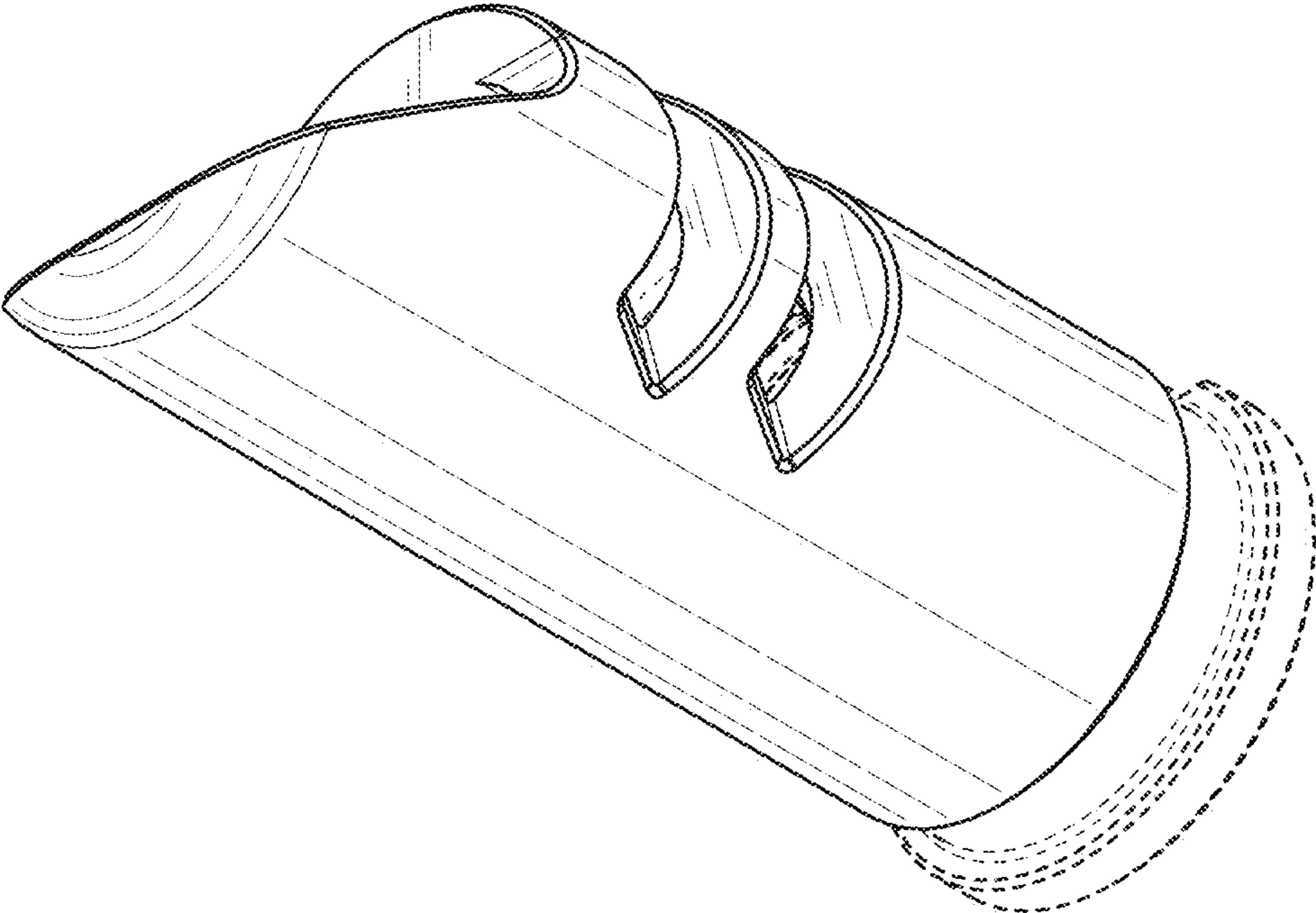


FIG. 3

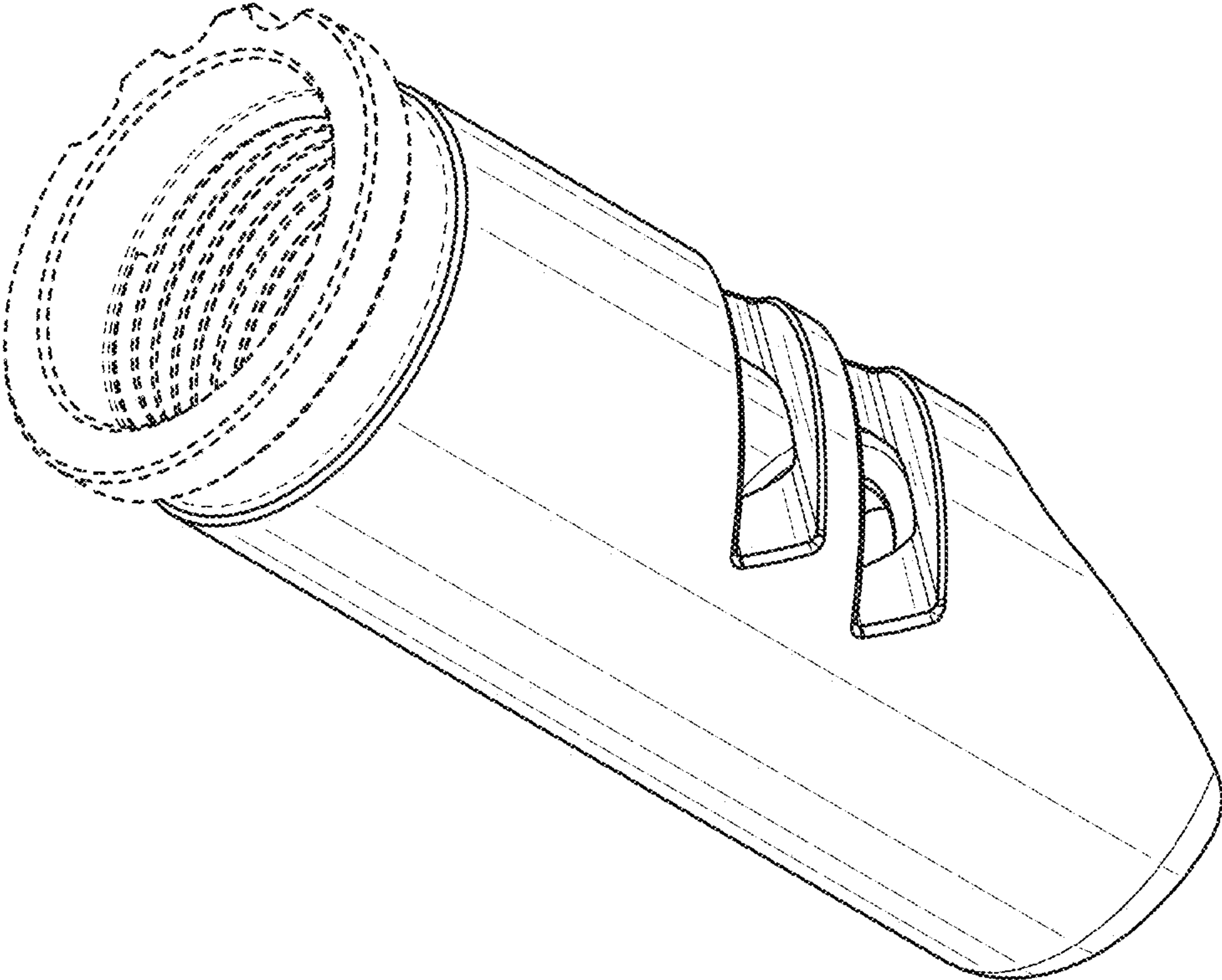


FIG. 4



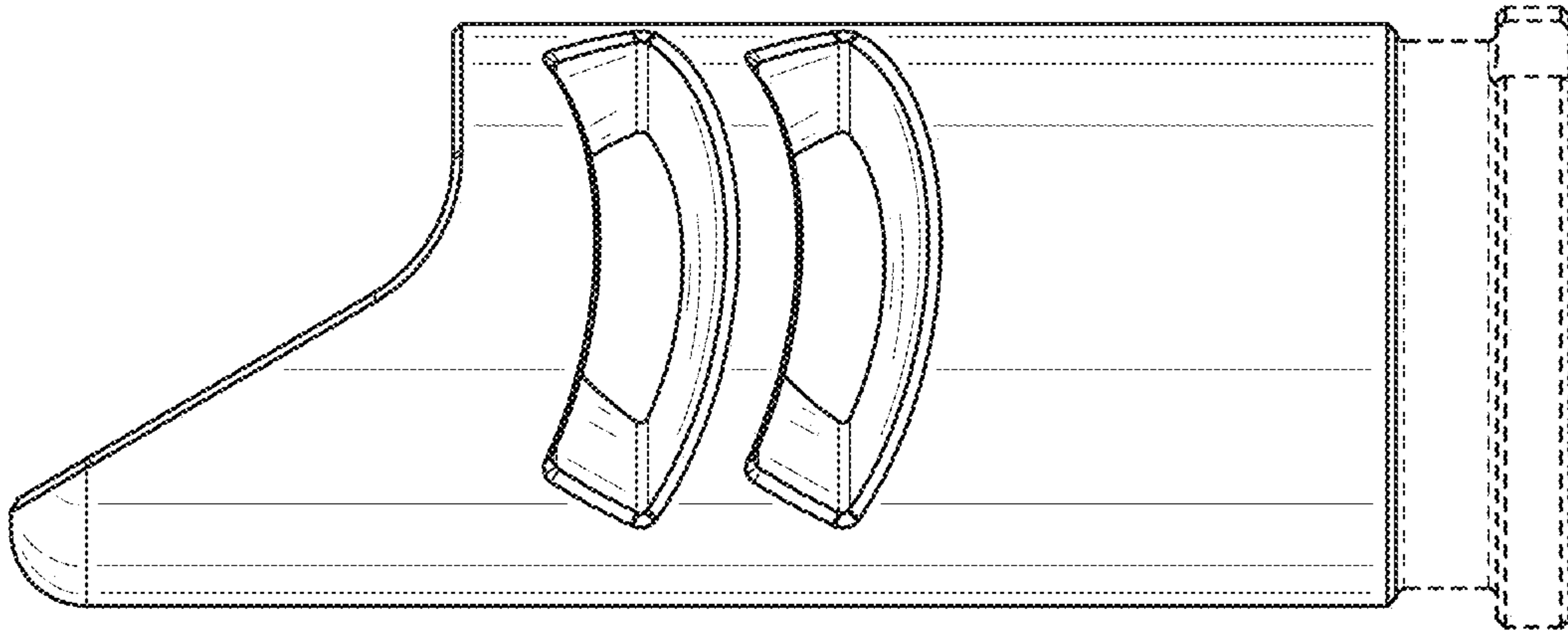


FIG. 5

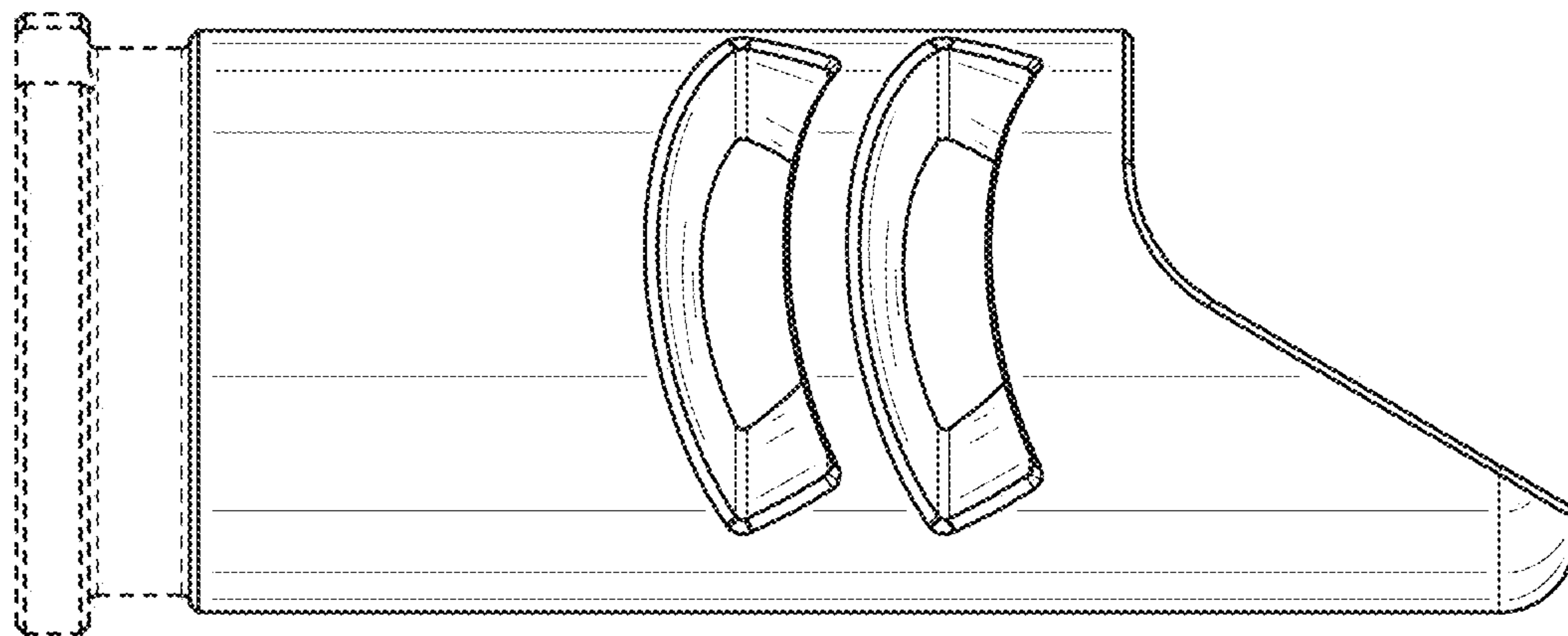


FIG. 6

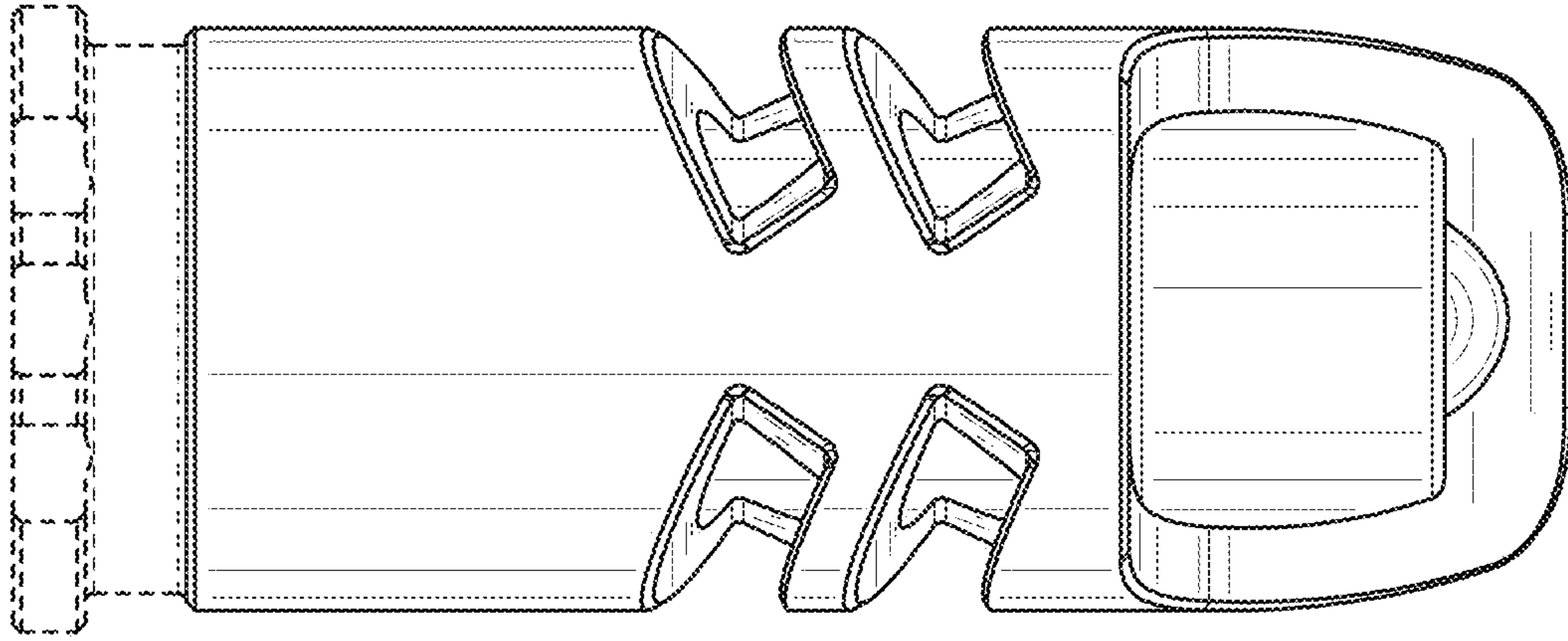


FIG. 7

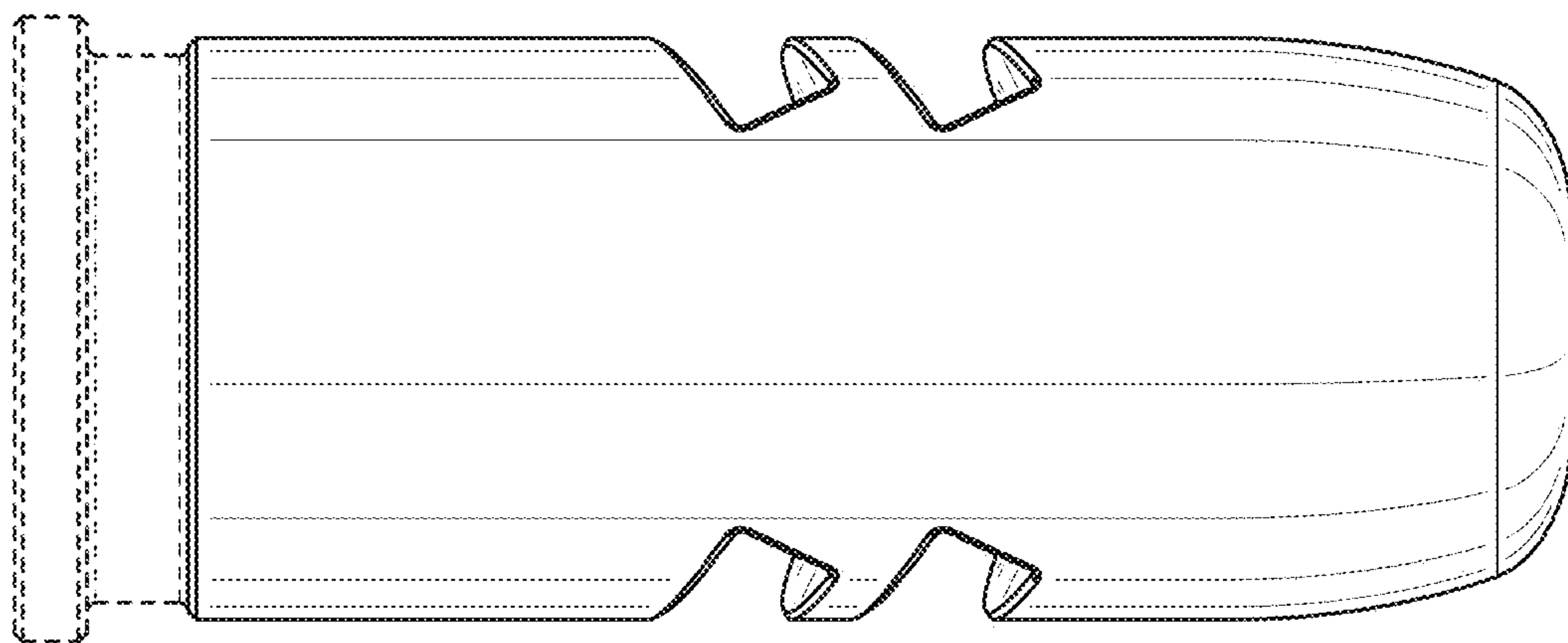


FIG. 8

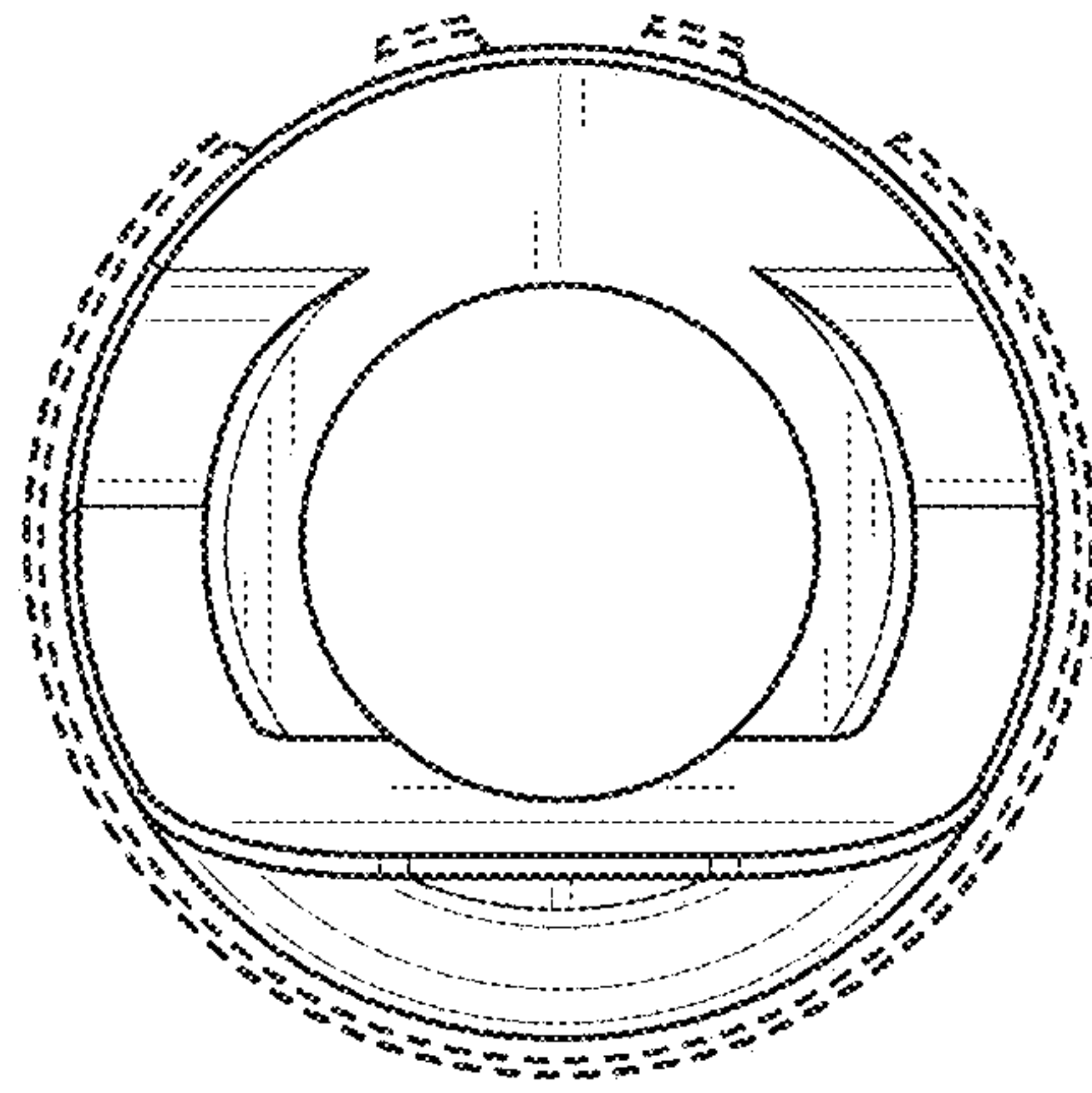


FIG. 9

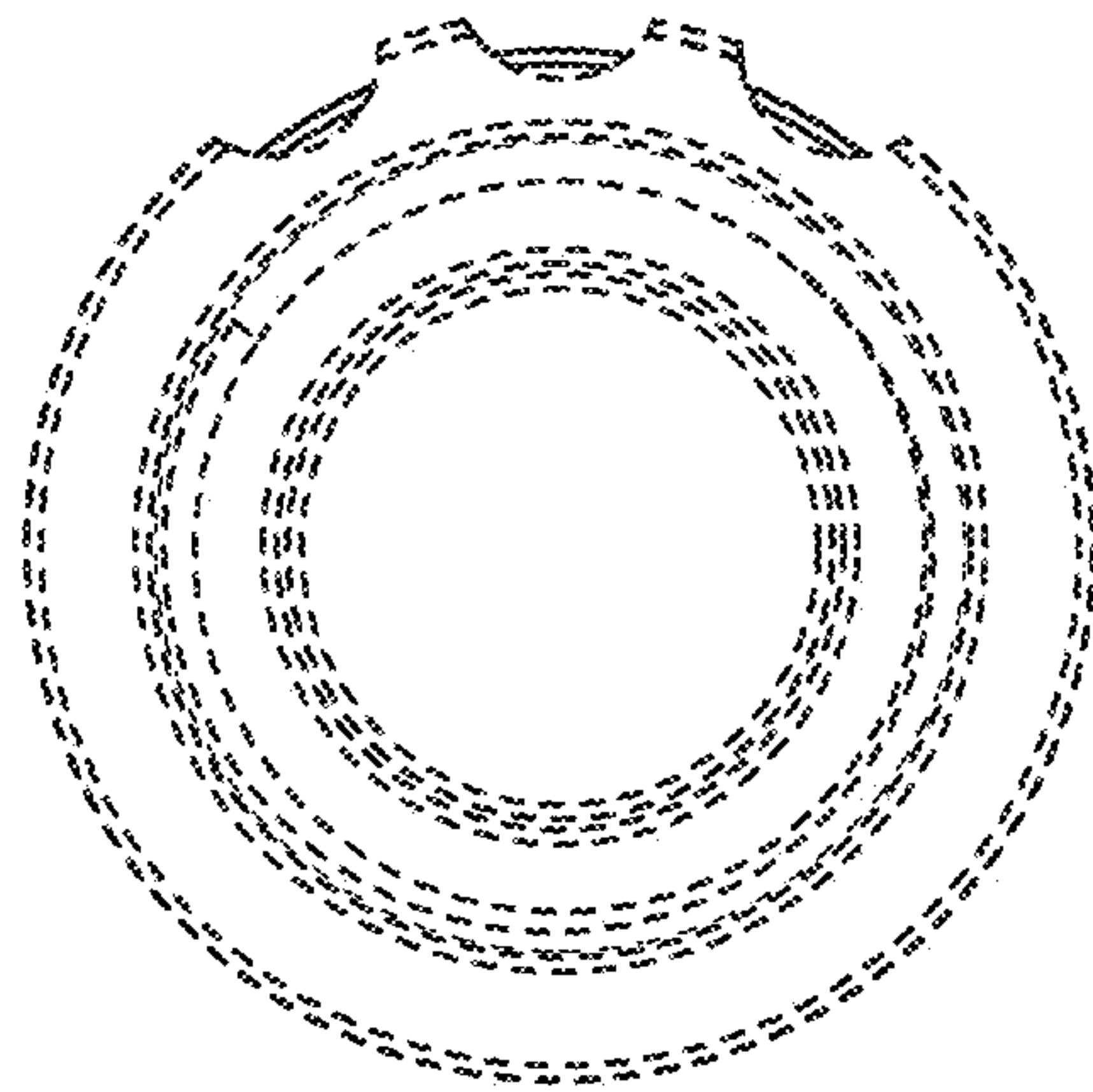


FIG. 10