



US00D950668S

(12) **United States Design Patent** (10) **Patent No.:** **US D950,668 S**
Hunter (45) **Date of Patent:** **** May 3, 2022**

(54) **WATER RIDE**
(71) Applicant: **ProSlide Technology Inc.**, Ottawa (CA)
(72) Inventor: **Richard D. Hunter**, Ottawa (CA)
(73) Assignee: **ProSlide Technology Inc.**, Ottawa (CA)
(**) Term: **15 Years**

8,430,760 B2 * 4/2013 Brassard A63G 21/18
472/117
8,579,715 B2 * 11/2013 Olive A63G 21/18
472/117
D697,159 S * 1/2014 Altindag D21/819
D697,571 S * 1/2014 Altindag D21/819
8,690,697 B2 4/2014 Hunter
D705,377 S * 5/2014 Brassard D21/821
D705,378 S * 5/2014 Brassard D21/821

(Continued)

(21) Appl. No.: **29/723,854**

OTHER PUBLICATIONS

(22) Filed: **Feb. 11, 2020**

Preliminary Examination and Preliminary Examination Hearing Date Determination Record in Turkish Design Application No. 2020/00909; Republic of Turkey—Ankara; Second Civil Court for Intellectual and Industrial Rights; Aug. 11, 2021; 6 pages.

(30) **Foreign Application Priority Data**

(Continued)

Aug. 12, 2019 (CA) CA 189209

(51) **LOC (13) Cl.** **21-03**

(52) **U.S. Cl.**
USPC **D21/819**

(58) **Field of Classification Search**
USPC D21/818–822
CPC A63G 21/00–22
See application file for complete search history.

Primary Examiner — Mitchell I. Siegel

(74) *Attorney, Agent, or Firm* — Finnegan, Henderson, Farabow, Garrett & Dunner, L.L.P.

(57) **CLAIM**

The ornamental design of a water ride, as shown and described.

(56) **References Cited**

DESCRIPTION

U.S. PATENT DOCUMENTS

6,354,955 B1 * 3/2002 Stuart A63G 21/18
104/70
6,857,964 B2 2/2005 Hunter
D521,098 S * 5/2006 Hunter A63G 31/007
D21/819
7,056,220 B2 6/2006 Hunter
D548,810 S * 8/2007 Hunter D21/821
D567,322 S * 4/2008 Hunter D21/821
D583,895 S * 12/2008 Hlynka D21/821
7,713,134 B2 * 5/2010 Hunter A63G 21/18
472/117
8,197,353 B2 * 6/2012 Brassard A63G 21/18
472/117
8,262,494 B2 9/2012 Hunter

FIG. 1 is a perspective view of a water ride showing my new design;

FIG. 2 is a front view thereof;

FIG. 3 is a rear view thereof;

FIG. 4 is a right side view thereof;

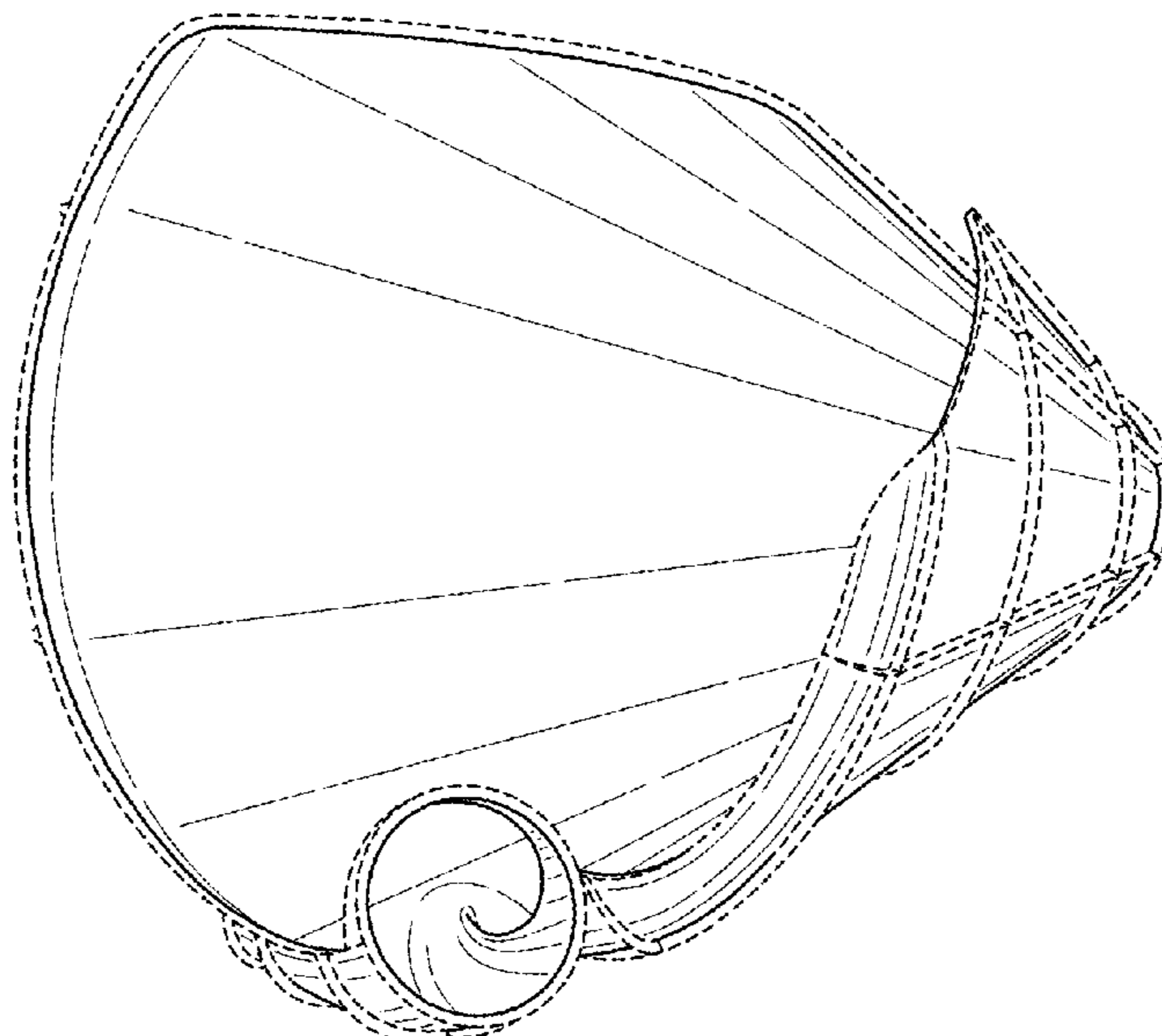
FIG. 5 is a left side view thereof;

FIG. 6 is a top view thereof; and,

FIG. 7 is the bottom view thereof.

The broken lines shown are for the purpose of illustrating portions of the water ride that form no part of the claimed design.

1 Claim, 5 Drawing Sheets



(56)

References Cited

U.S. PATENT DOCUMENTS

D705,379	S *	5/2014	Brassard	D21/821
D705,380	S *	5/2014	Brassard	D21/821
D705,381	S *	5/2014	Brassard	D21/821
D705,382	S *	5/2014	Brassard	D21/821
D728,720	S *	5/2015	Brassard	D21/819
D750,720	S *	3/2016	Brassard	D21/819
D771,213	S *	11/2016	Ozturk	D21/821
9,504,924	B2	11/2016	Hunter		
D779,010	S *	2/2017	Ozturk	D21/821
D809,618	S *	2/2018	Hunter	A63G 21/14 D21/821
D837,919	S *	1/2019	Ozsoz	D21/819
D838,331	S *	1/2019	Ozsoz	D21/819
D844,732	S *	4/2019	Hunter	D21/821
D872,207	S *	1/2020	Gulistanoglu	D21/821
2004/0077426	A1 *	4/2004	Hunter	A63G 21/18 472/137
2012/0277011	A1 *	11/2012	Hunter	A63G 21/18 472/88

OTHER PUBLICATIONS

Expert Opinion Concerning Art and Design submitted in Turkish Design Application No. 2020/00909; Dr. Ayşem G. Başar, Faculty of Architecture—Department of Industrial Design; Yeditepe University; 12 pages.

Petition, filed with the Turkish court in respect of Turkish Design Application No. 2020/00909 (16 pages).

Opposition, issued in Turkish Design application No. 2020_00909 (21 pages).

Decision from the Turkish re-examination board dismissing opposition to Turkish Design application No. 2020_00909, dated Dec. 1, 2020 (2 pages).

Rejoinder Petition filed in opposition proceeding in counterpart Turkish Design application No. 2020/00909.

Expert Panel Report submitted in association with the Rejoinder Petition filed in Turkish Court regarding counterpart Turkish Design Application No. 2019/00909; 18 pages.

* cited by examiner

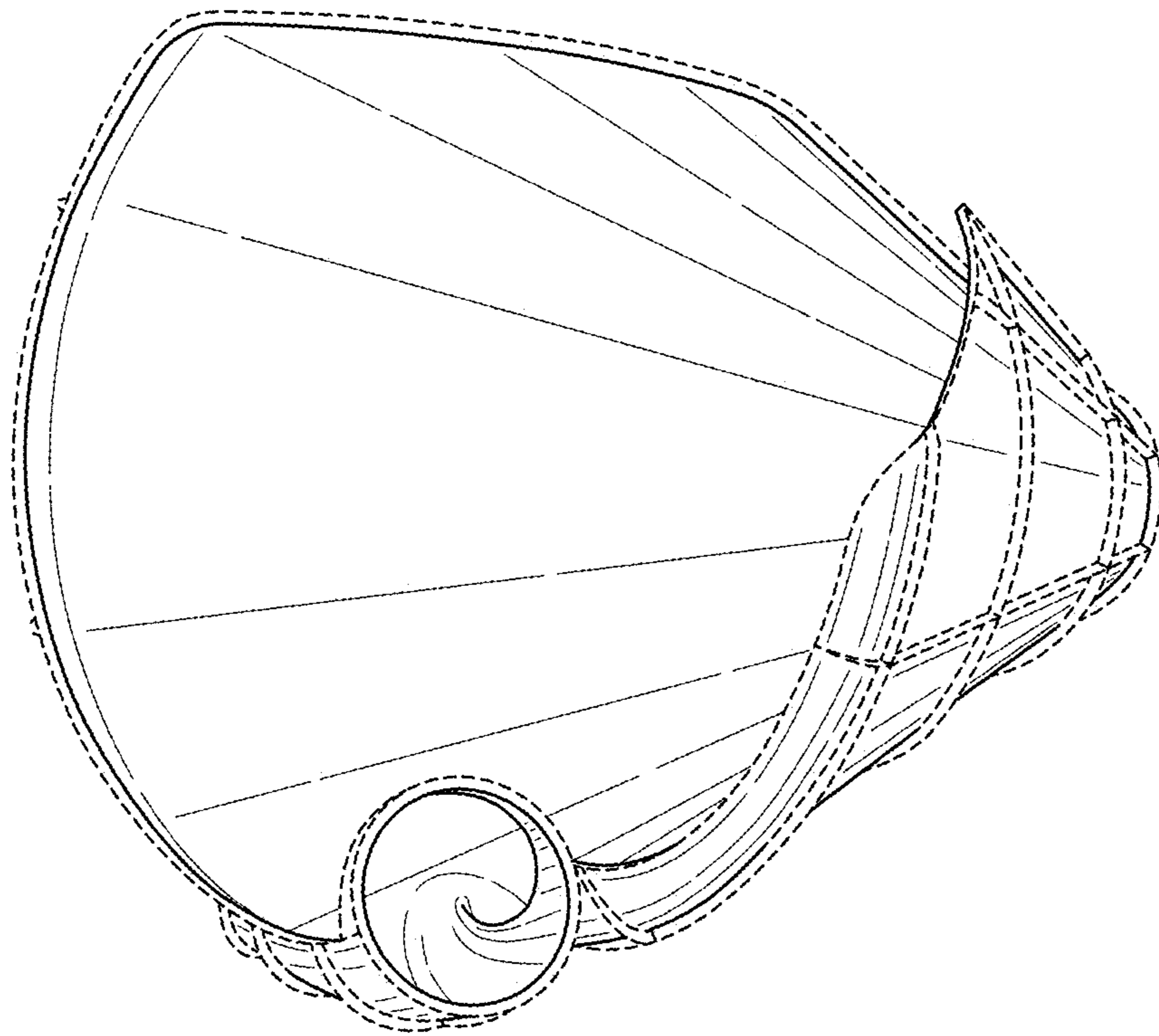


FIG. 1

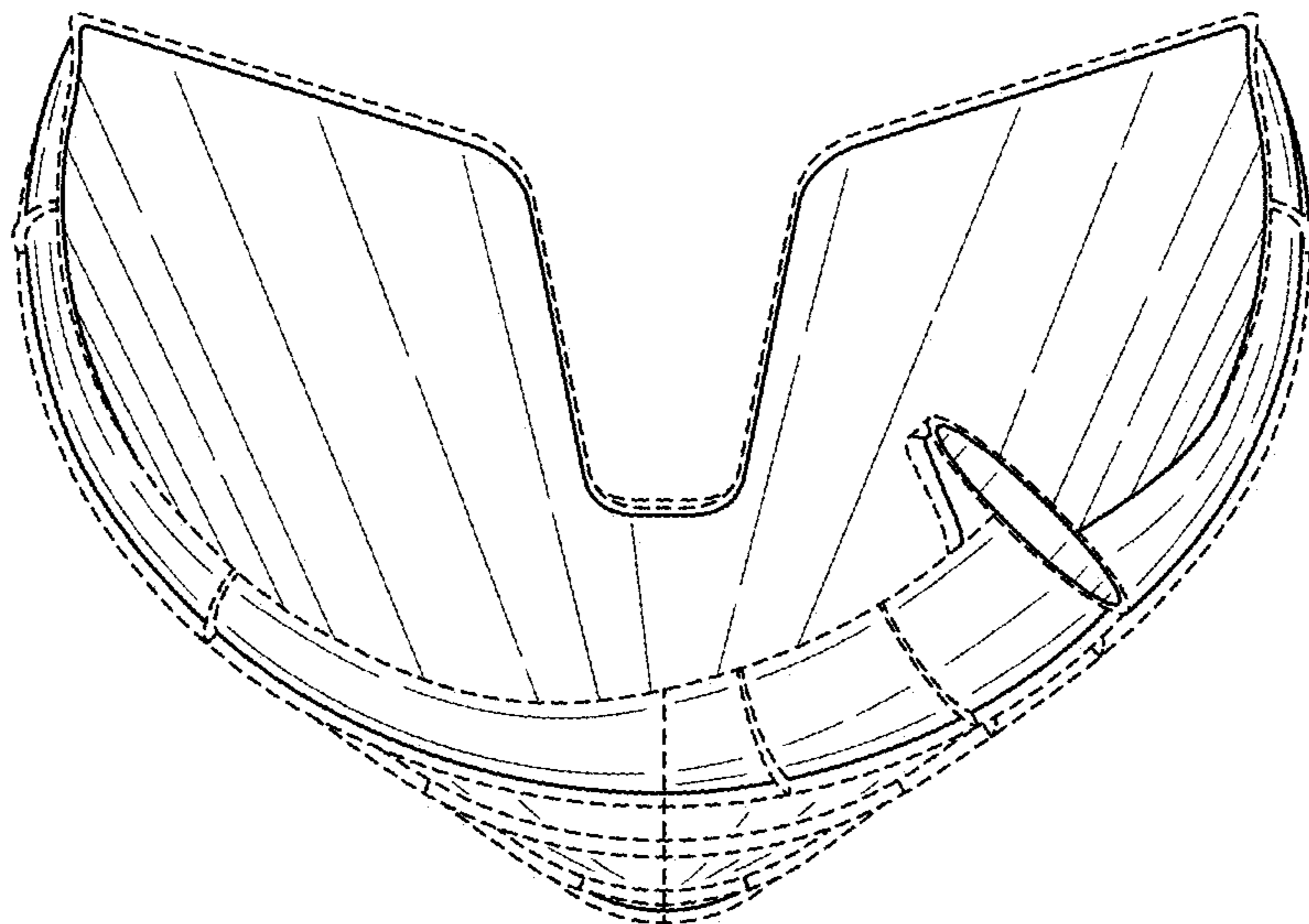


FIG. 2

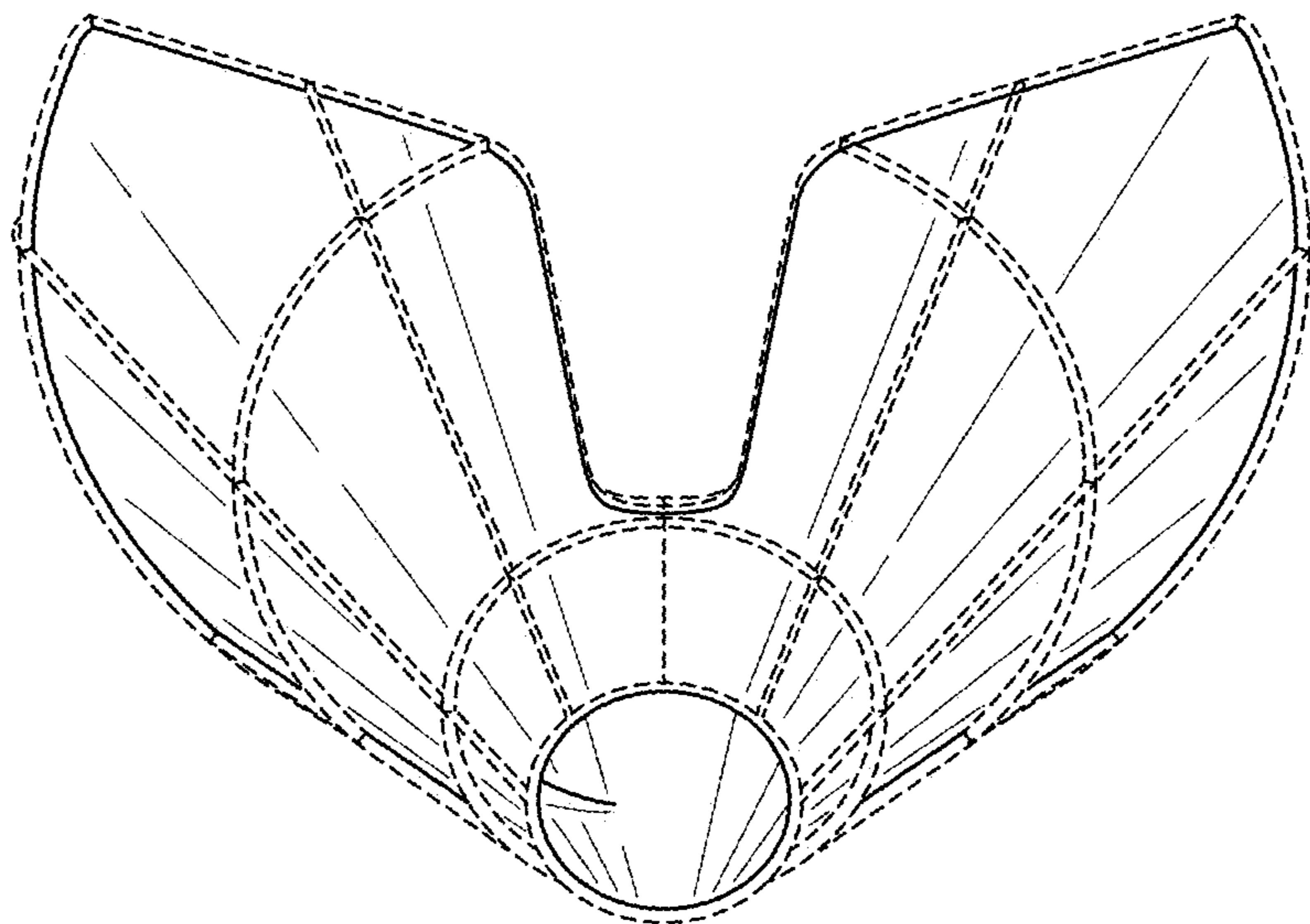


FIG. 3

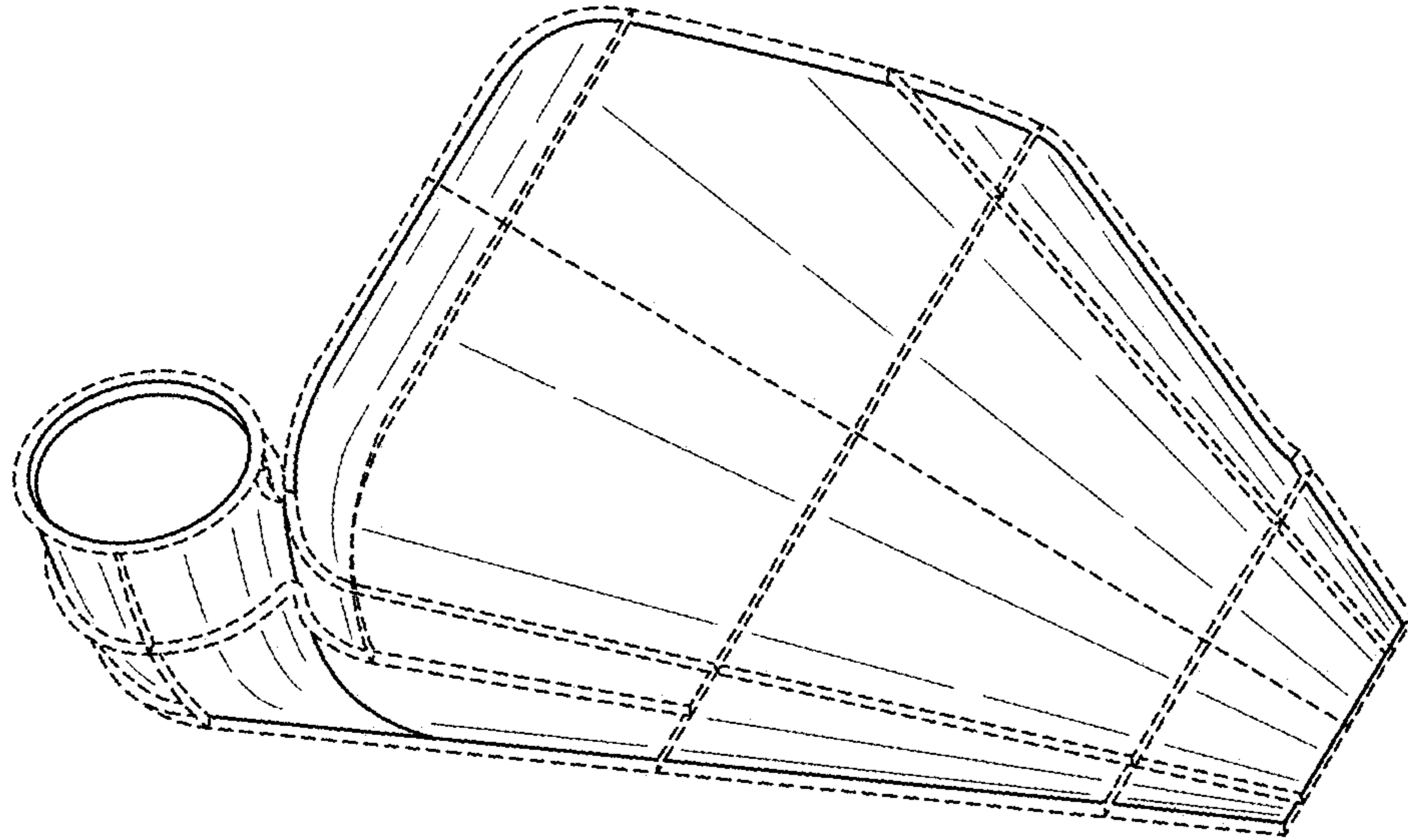


FIG. 4

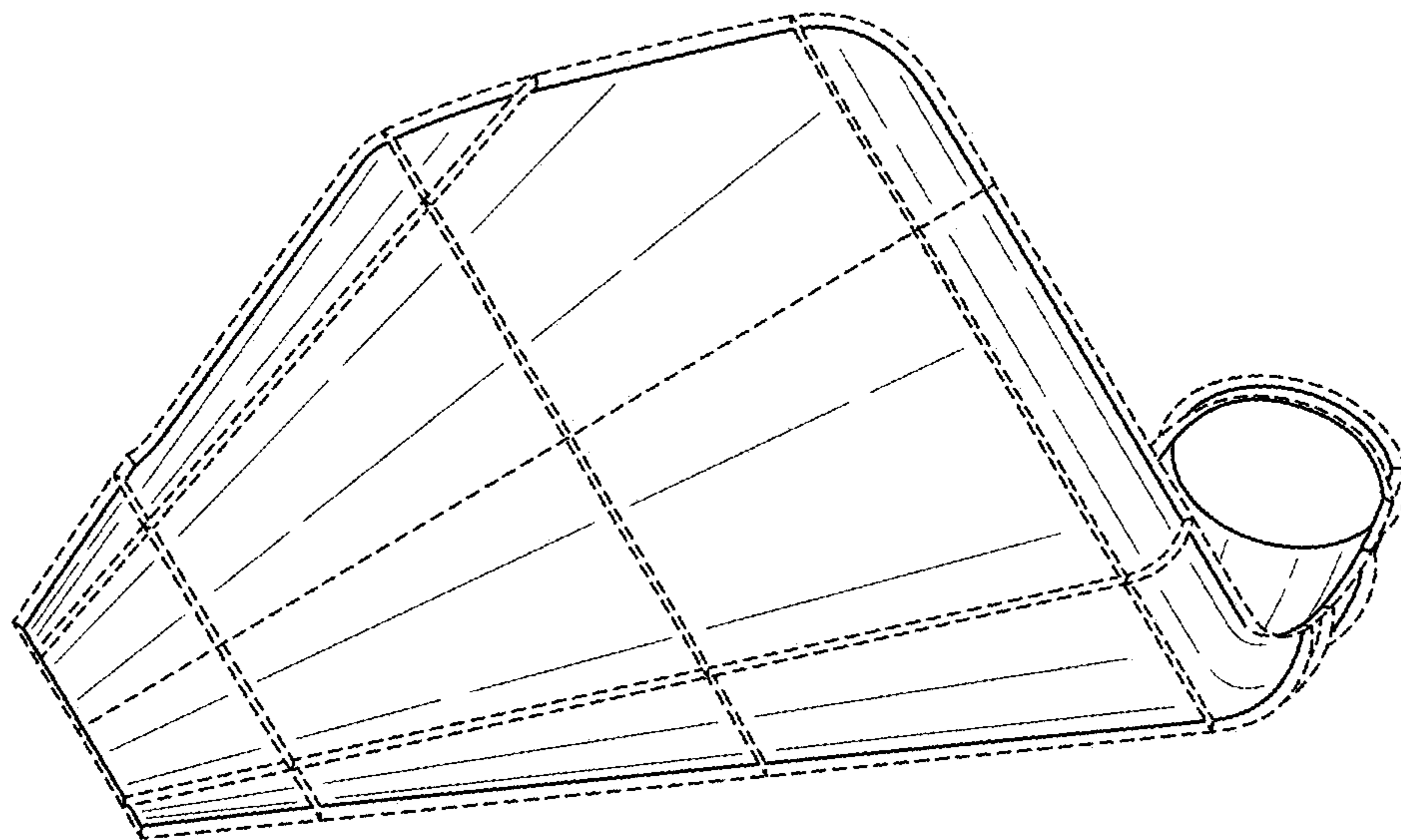


FIG. 5

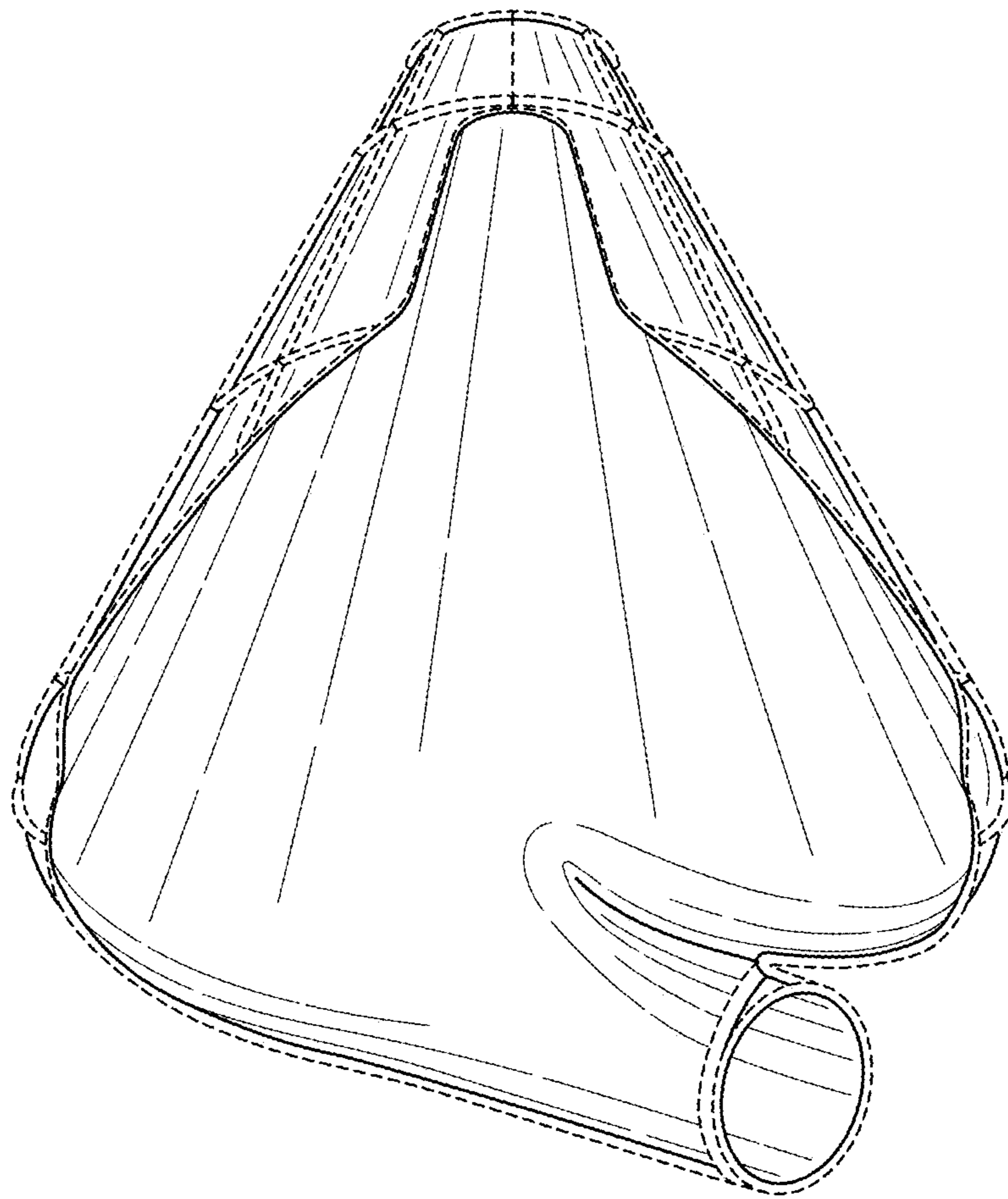


FIG. 6

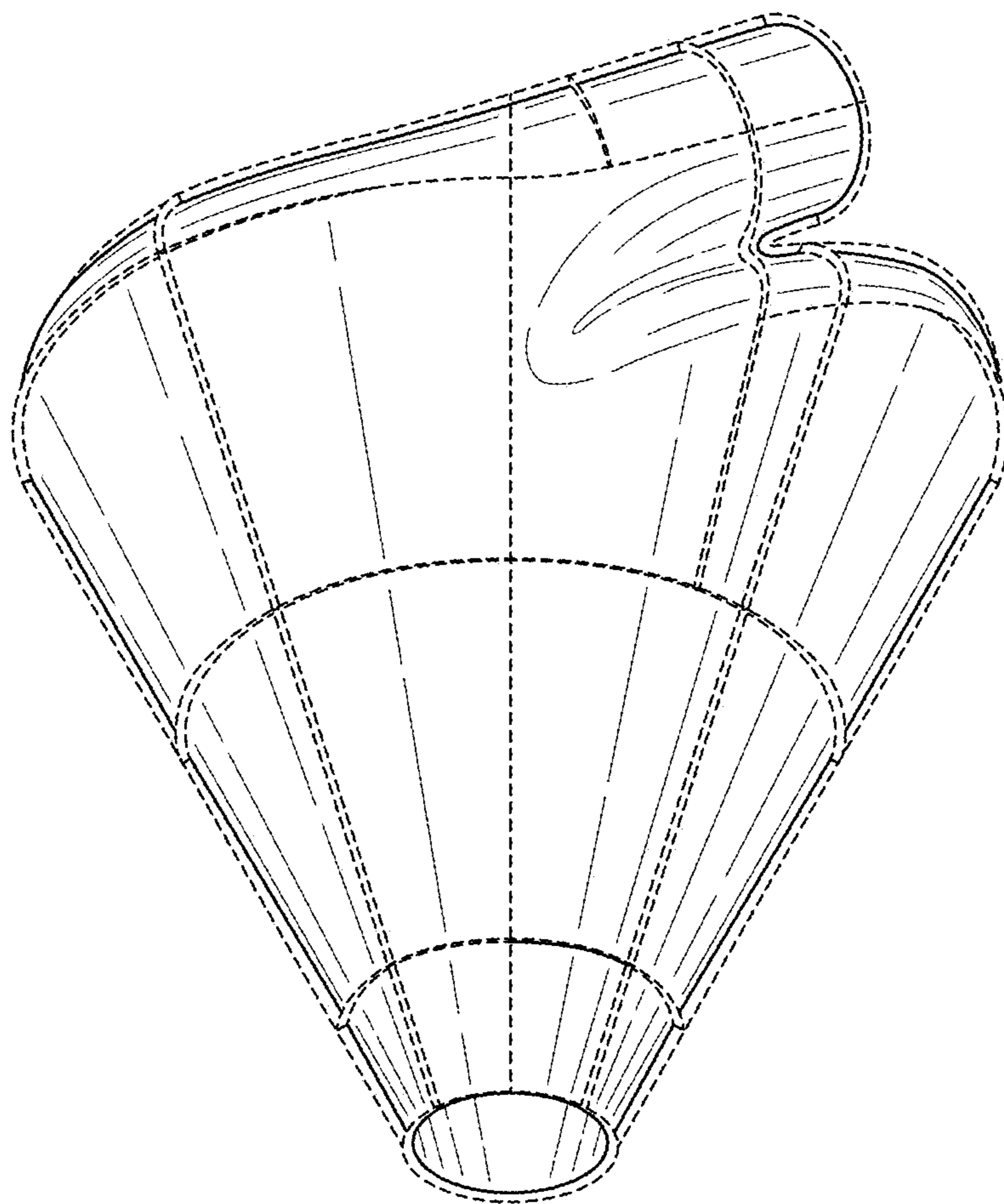


FIG. 7