



US00D950662S

(12) **United States Design Patent**
Helm

(10) **Patent No.:** **US D950,662 S**

(45) **Date of Patent:** **** May 3, 2022**

(54) **BALL HOLDER FOR TABLE TENNIS TABLE**

(71) Applicant: **Sponeta GmbH**, Schlotheim (DE)

(72) Inventor: **Denis Helm**, Oppershausen (DE)

(73) Assignee: **Sponeta GmbH**, Schlotheim (DE)

(**) Term: **15 Years**

(21) Appl. No.: **29/678,537**

(22) Filed: **Jan. 29, 2019**

(51) **LOC (13) Cl.** **21-02**

(52) **U.S. Cl.**
USPC **D21/799.2; D21/715; D6/552**

(58) **Field of Classification Search**
USPC D21/715, 721, 782, 789, 796, 799.1,
D21/799.2; D6/552; D3/256, 257, 259,
D3/904; 473/459, 460, 473-475, 490,
473/494, 496, 569; 312/49; 211/14, 15
CPC ... A47B 25/003; A63B 71/0045; A63B 47/00;
A63B 47/02; A63B 47/002; A63B
47/007; A63B 67/04; A63B 67/045; A63B
61/00; A63B 61/003; A63B 61/02; A63B
61/04; A61B 2102/16

See application file for complete search history.

(56) **References Cited**

U.S. PATENT DOCUMENTS

- 296,136 A * 4/1884 Collender A63D 15/00
211/15
- 1,557,868 A * 10/1925 Oard A63D 15/00
211/15
- D231,001 S * 3/1974 Gross et al. D3/256
- 4,712,712 A * 12/1987 Garden A63B 47/002
221/151
- 4,979,754 A * 12/1990 Eisenhart A63B 61/00
206/315.1
- 5,368,172 A * 11/1994 Barringer A63B 60/60
211/85.7

- 5,368,351 A * 11/1994 Cuti A63B 47/02
248/132
- 5,472,189 A * 12/1995 Pfeiffer A63B 47/002
221/155
- D460,140 S * 7/2002 Allshouse D21/799.2
- 8,157,677 B1 * 4/2012 Chen A63B 67/045
473/490
- 9,248,362 B2 * 2/2016 Durant A63B 60/60
- 9,750,988 B1 * 9/2017 Auld A63B 67/14
- 2011/0092320 A1 * 4/2011 Martin A63B 67/04
473/475

FOREIGN PATENT DOCUMENTS

- DE 3341161 A1 * 5/1985 A63B 47/00
- DE 102014112046 A1 * 2/2016 A63B 47/002
- DE 202019100393 U1 * 5/2019 A47B 25/003

(Continued)

Primary Examiner — Catherine A Tuttle

(74) *Attorney, Agent, or Firm* — Intellectual Property
Law Group LLP

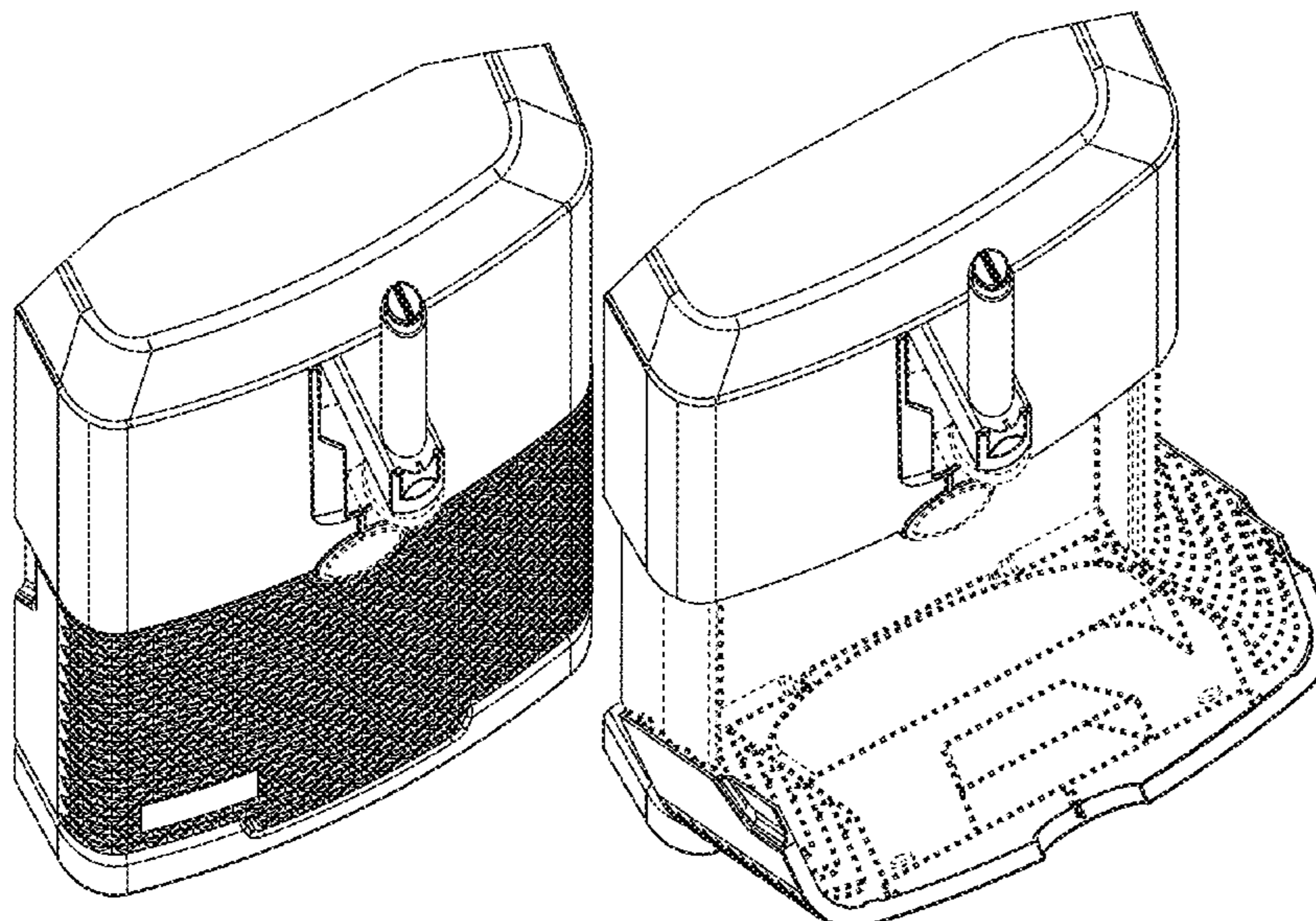
(57) **CLAIM**

The ornamental design for a ball holder for a table tennis table, as shown and described.

DESCRIPTION

FIG. 1 is a front view of a ball holder for a table tennis table, embodying my new design;
 FIG. 2 is a left side view thereof, the right side view being a mirror image thereof;
 FIG. 3 is a top view thereof;
 FIG. 4 is a top, front perspective view thereof; and,
 FIG. 5 is a top, front perspective view thereof in an open position.
 The broken lines shown in the figures depict portions of the ball holder for table tennis table that form no part of the claimed design.

1 Claim, 5 Drawing Sheets



(56)

References Cited

FOREIGN PATENT DOCUMENTS

EP	0396794	A1	*	11/1990	A63B 67/045
FR	2490098	A1	*	3/1982	A63B 67/04
FR	2802110	A1	*	6/2001	A63B 47/02
FR	3048893	A3	*	9/2017	A63B 67/045
GB	553410	A	*	5/1943	A63B 47/002

* cited by examiner

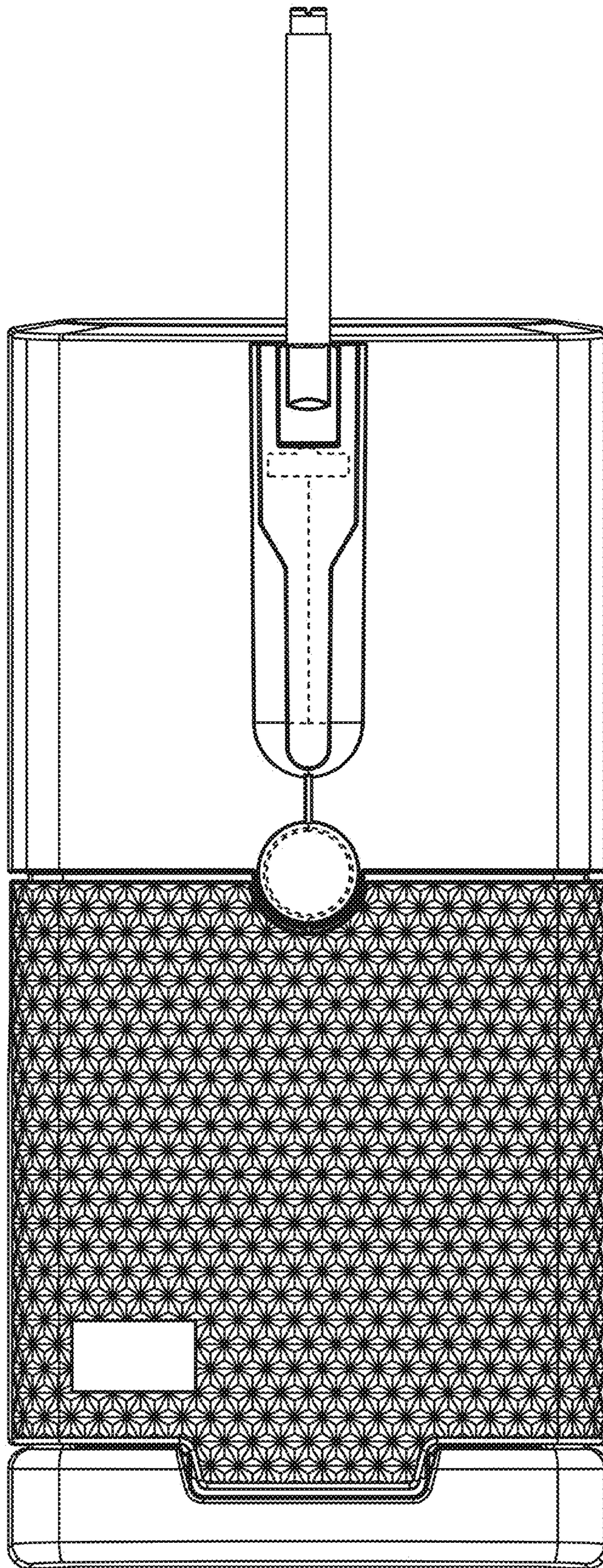


FIG. 1

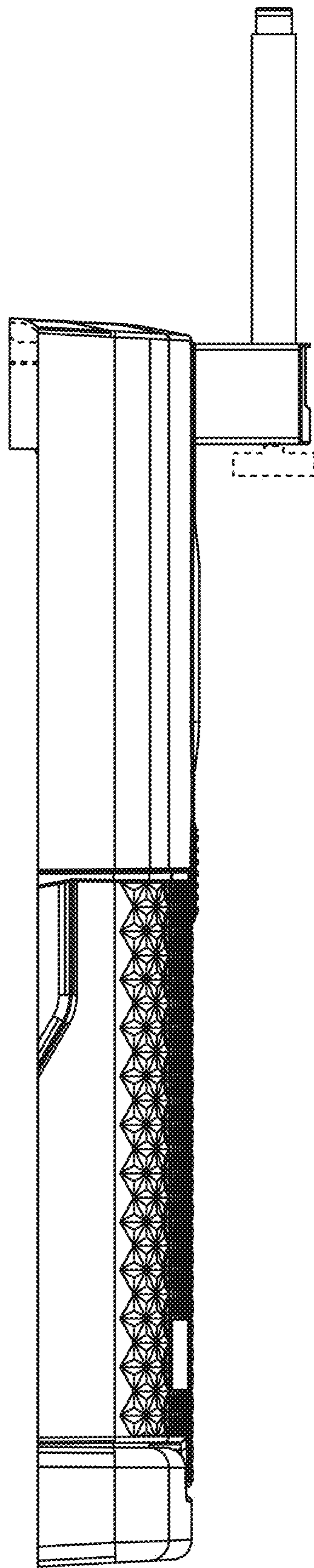


FIG. 2

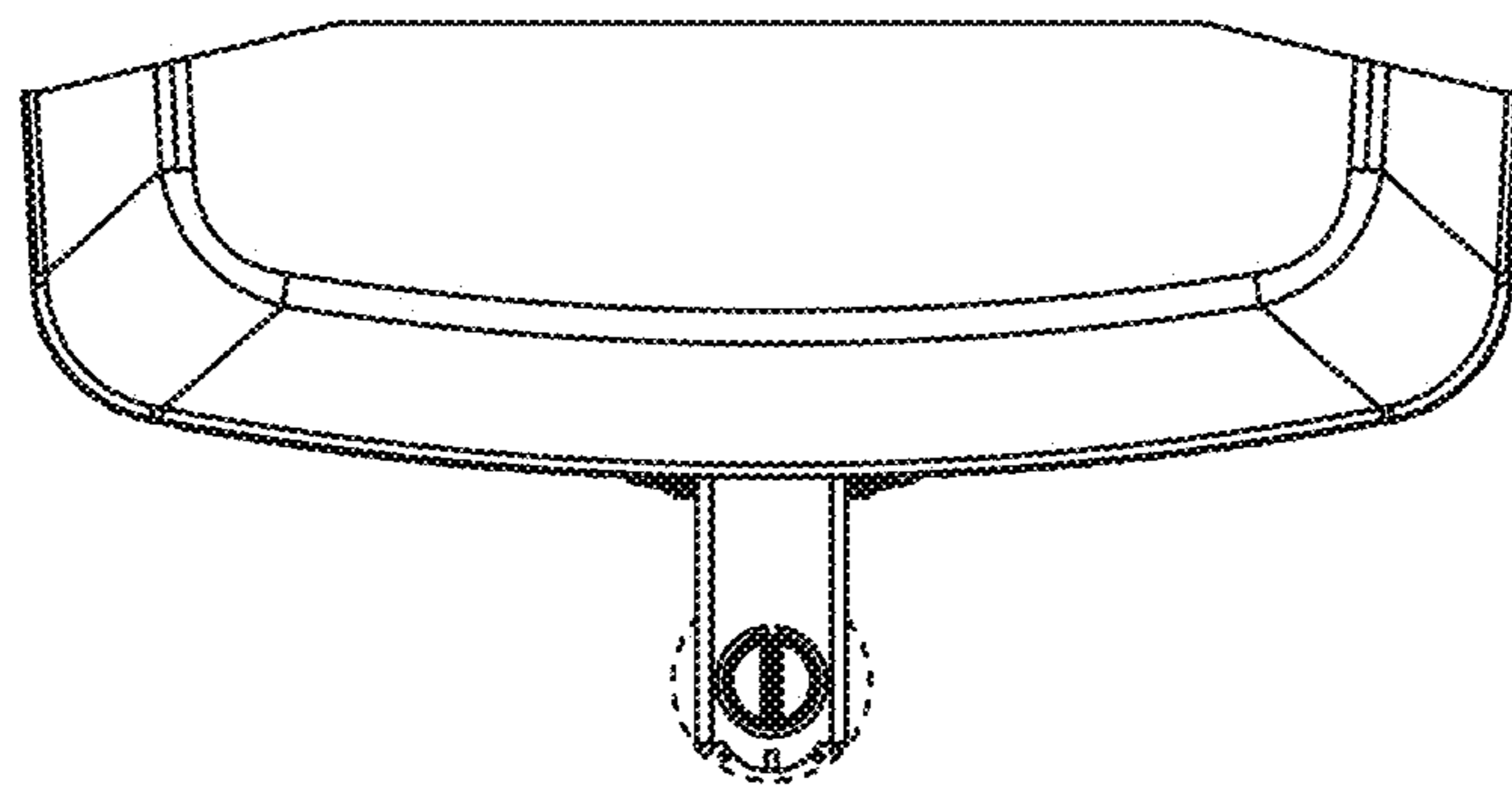


FIG. 3

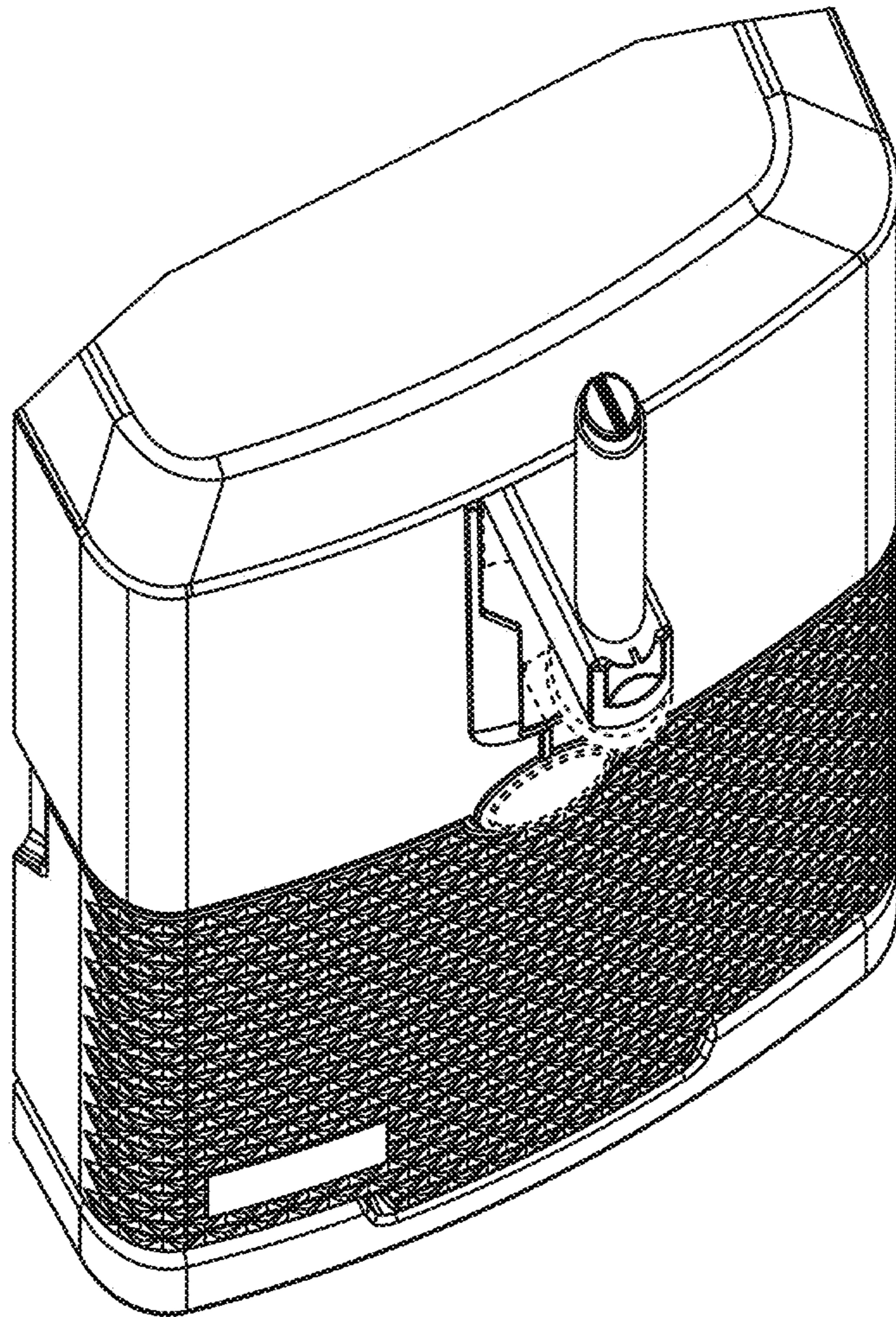


FIG. 4

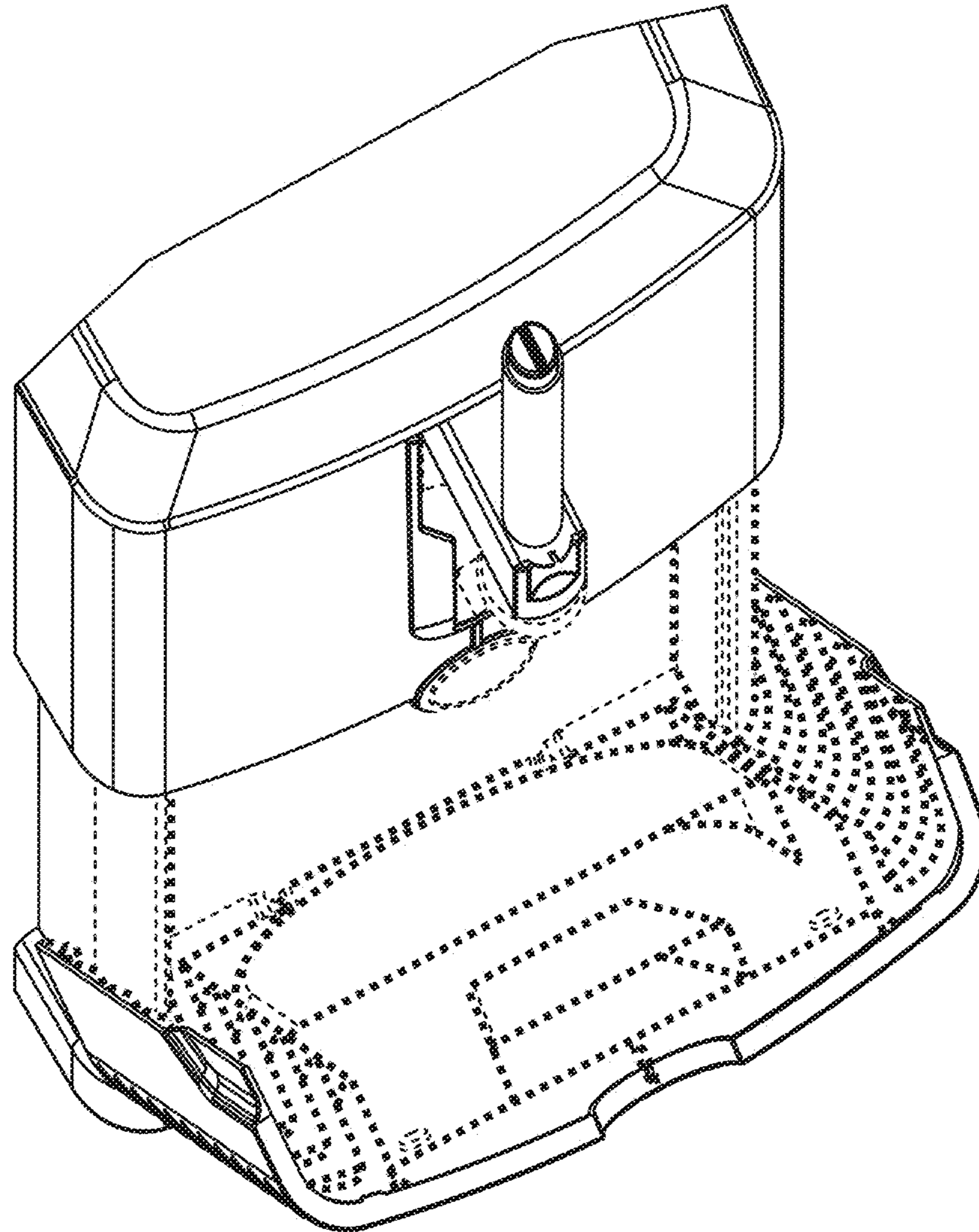


FIG. 5