



US00D950659S

(12) **United States Design Patent** (10) **Patent No.:** **US D950,659 S**  
**Rife** (45) **Date of Patent:** **\*\* \*May 3, 2022**

- (54) **GOLF GRIP**
- (71) Applicant: **Guerin D. Rife**, Carlsbad, CA (US)
- (72) Inventor: **Guerin D. Rife**, Carlsbad, CA (US)
- (\*) Notice: This patent is subject to a terminal disclaimer.
- (\*\*) Term: **15 Years**
- (21) Appl. No.: **29/730,566**
- (22) Filed: **Apr. 6, 2020**

**Related U.S. Application Data**

- (63) Continuation-in-part of application No. 29/724,407, filed on Feb. 14, 2020, which is a continuation-in-part of application No. 29/721,604, filed on Jan. 22, 2020.
- (51) **LOC (13) Cl.** ..... **21-02**
- (52) **U.S. Cl.**  
USPC ..... **D21/756**
- (58) **Field of Classification Search**  
USPC ..... D21/756-758; D8/80, 83, 94, 97, 107, D8/300, 321  
CPC ..... A63B 60/06-60/34; A63B 60/00; A63B 60/46; A63B 59/60-59/80; A63B 49/00-49/14; A63B 53/14  
See application file for complete search history.

(56) **References Cited**

**U.S. PATENT DOCUMENTS**

2,218,268	A *	10/1940	Reid	.....	A63B 53/14
					473/204
D128,266	S *	7/1941	Smith	.....	D21/756
D295,207	S *	4/1988	Mahaffey	.....	D21/756
D325,614	S *	4/1992	Mermillod	.....	D21/756
D399,282	S *	10/1998	Jarrett	.....	D21/756
D531,243	S *	10/2006	Davis	.....	D21/756
D534,602	S *	1/2007	Norton	.....	D21/756

D534,603	S *	1/2007	Norton	.....	D21/756
D534,604	S *	1/2007	Norton	.....	D21/756
D534,605	S *	1/2007	Norton	.....	D21/756
D534,606	S *	1/2007	Norton	.....	D21/756
D534,607	S *	1/2007	Norton	.....	D21/756
D534,975	S *	1/2007	Norton	.....	D21/756
D554,723	S *	11/2007	Savasky	.....	D21/756
D554,724	S *	11/2007	Savasky	.....	D21/756
D592,262	S *	5/2009	Devaney	.....	D21/756
D592,263	S *	5/2009	Devaney	.....	D21/756
D592,264	S *	5/2009	Devaney	.....	D21/756
D592,265	S *	5/2009	Devaney	.....	D21/756
D592,266	S *	5/2009	Devaney	.....	D21/756
D592,267	S *	5/2009	Devaney	.....	D21/756
D595,378	S *	6/2009	Devaney	.....	D21/756
D595,379	S *	6/2009	Devaney	.....	D21/756
D595,796	S *	7/2009	Devaney	.....	D21/756
D597,622	S *	8/2009	Devaney	.....	D21/756
D681,758	S *	5/2013	Garsen	.....	D21/756
D710,466	S *	8/2014	Bentley	.....	D21/756
D728,717	S *	5/2015	Cokewell	.....	D21/756
D733,237	S *	6/2015	Serrano	.....	D21/756
D774,612	S *	12/2016	Dingman	.....	D21/756
D794,147	S *	8/2017	Davis	.....	D21/756
D796,609	S *	9/2017	Serrano	.....	D21/756

(Continued)

*Primary Examiner* — Mitchell I. Siegel

(74) *Attorney, Agent, or Firm* — Dickinson Wright PLLC

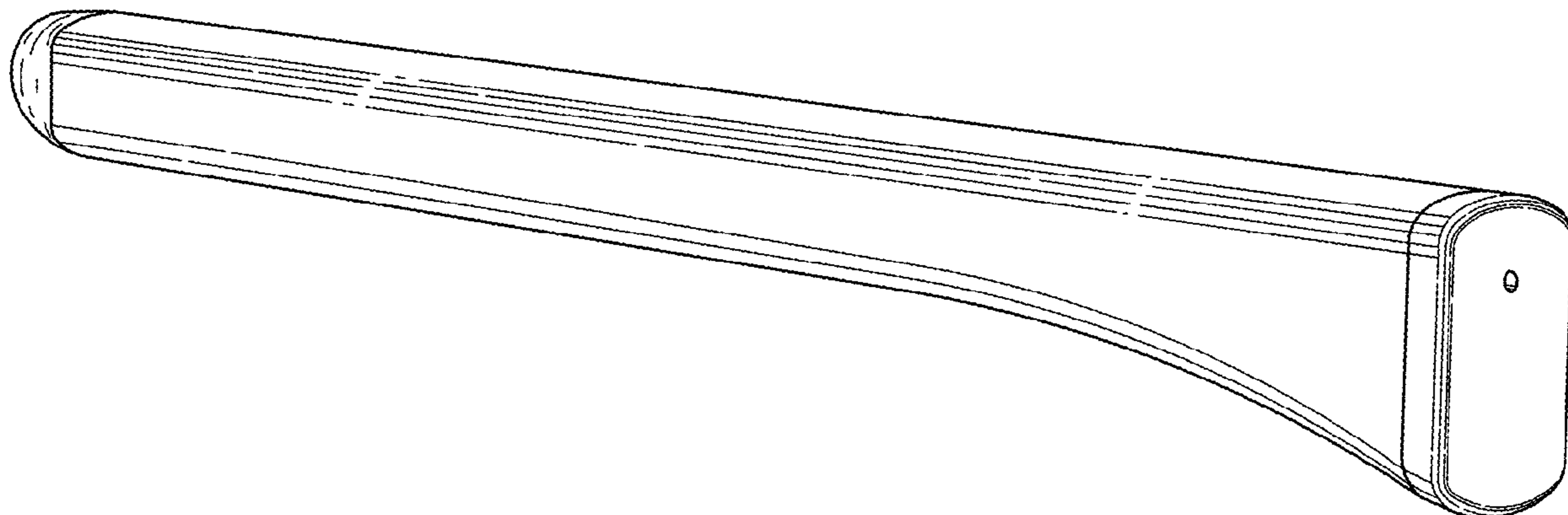
(57) **CLAIM**

The ornamental design of a golf grip, as shown and described.

**DESCRIPTION**

FIG. 1 is a perspective view of the golf grip;  
FIG. 2 is a front elevational view of the golf grip;  
FIG. 3 is a rear elevational view of the golf grip;  
FIG. 4 is an end view of the golf grip;  
FIG. 5 is an opposite end of the golf grip;  
FIG. 6 is a top view of the golf grip; and,  
FIG. 7 is a bottom view of the golf grip.

**1 Claim, 2 Drawing Sheets**



(56)

**References Cited**

U.S. PATENT DOCUMENTS

D816,177	S	*	4/2018	Garsen .....	D21/756
D818,065	S	*	5/2018	Lin .....	D21/756
D851,188	S	*	6/2019	Cokewell .....	D21/756
D896,331	S	*	9/2020	Biafore, Jr. ....	D21/756
10,806,974	B1	*	10/2020	Biafore, Jr. ....	A63B 60/14
2018/0290033	A1	*	10/2018	Rife .....	A63B 53/007
2018/0369669	A1	*	12/2018	Rife .....	A63B 60/14
2021/0121752	A1	*	4/2021	Rife .....	A63B 60/24

\* cited by examiner

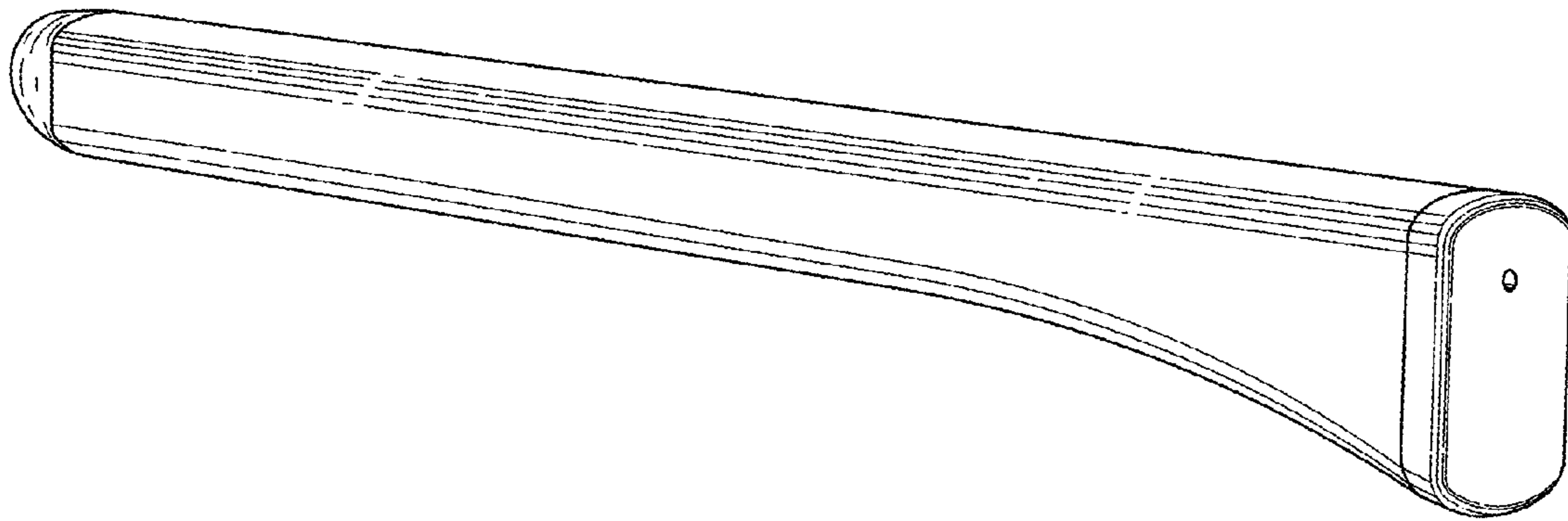


FIG. 1

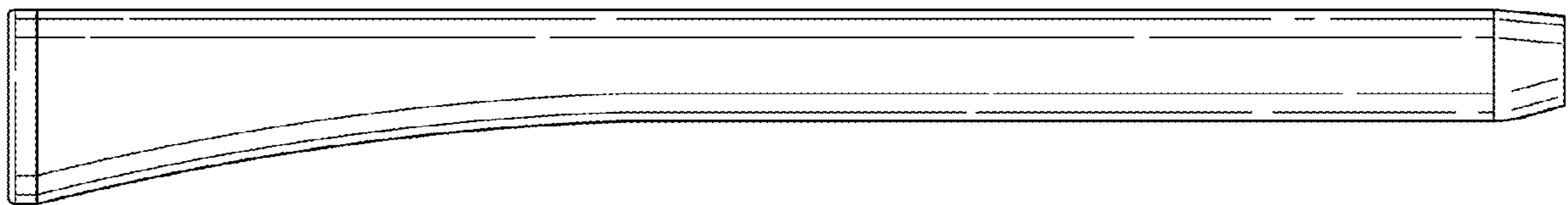


FIG. 2

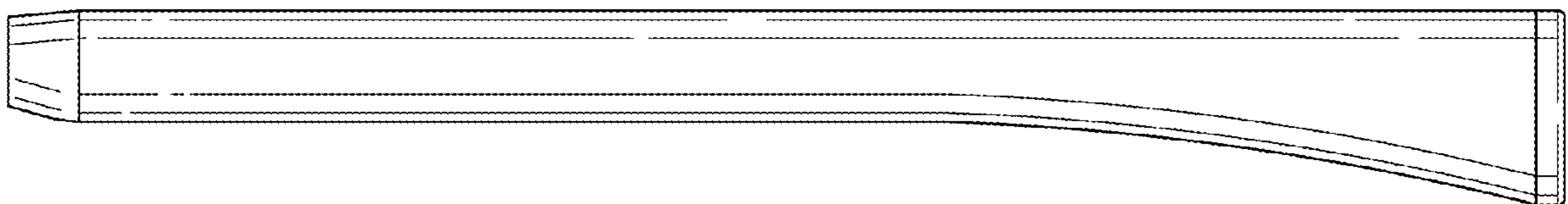


FIG. 3

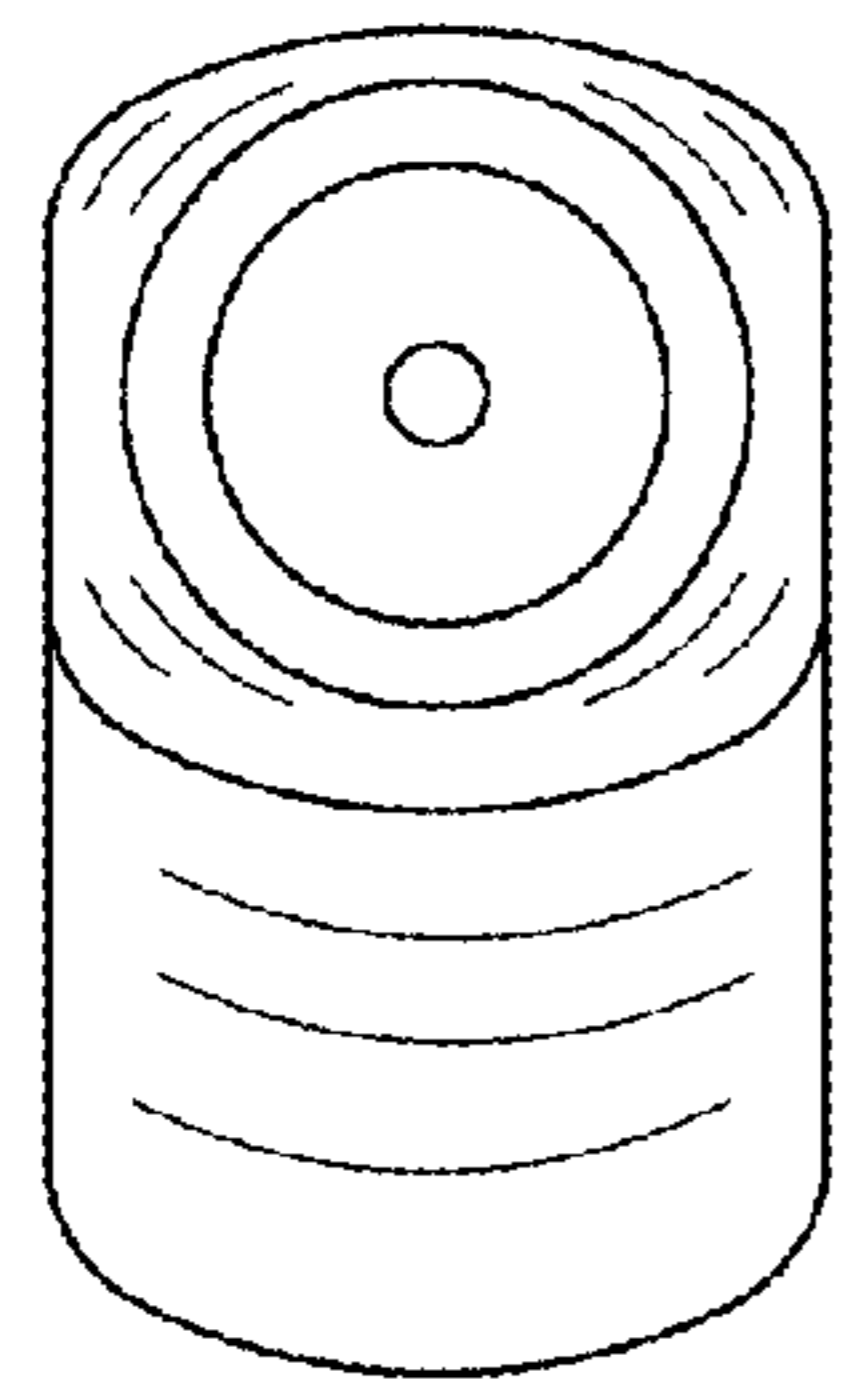


FIG. 4

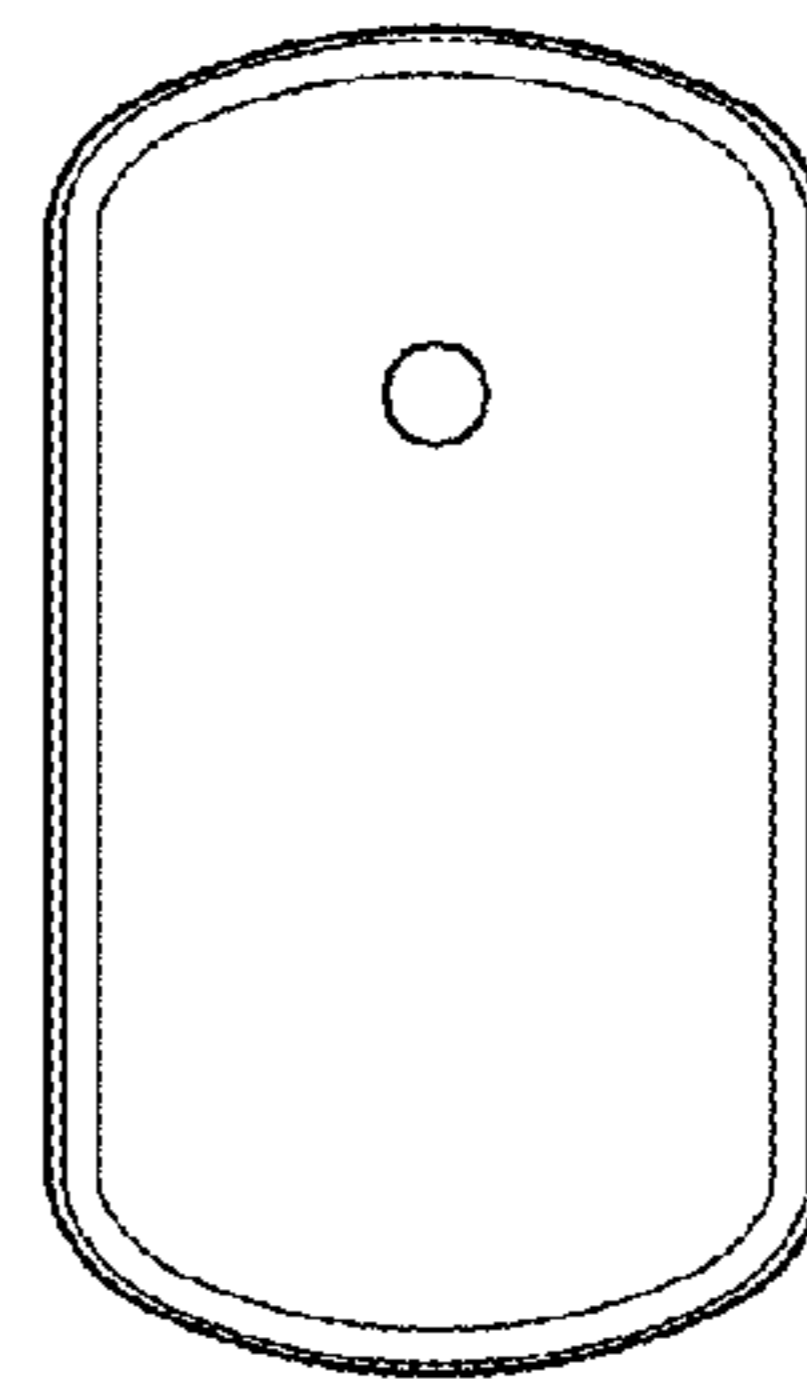


FIG. 5

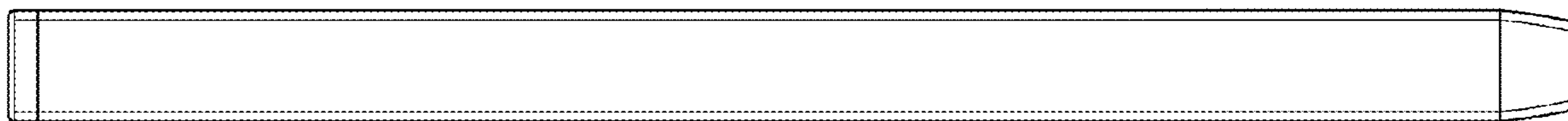


FIG. 6

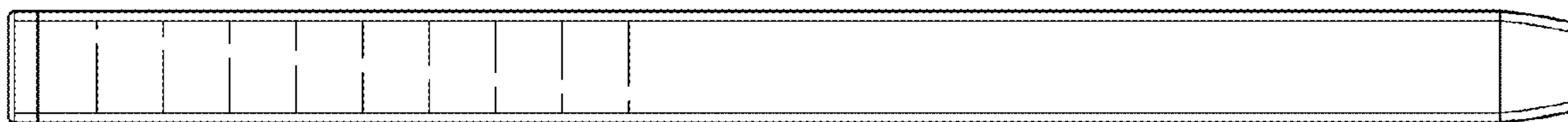


FIG. 7