



US00D950657S

(12) **United States Design Patent**
Lassen

(10) **Patent No.:** **US D950,657 S**

(45) **Date of Patent:** **** *May 3, 2022**

- (54) **FOOTBALL TRAINING DEVICE**
- (71) Applicant: **MS 2018 ApS**, Copenhagen K (DK)
- (72) Inventor: **Jesper Kolind Poulsen Lassen**, Viby J (DK)
- (73) Assignee: **MS 2018 ApS**
- (*) Notice: This patent is subject to a terminal disclaimer.
- (**) Term: **15 Years**
- (21) Appl. No.: **35/508,715**
- (22) Filed: **Feb. 5, 2020**

- D205,040 S * 6/1966 Bruns D21/790
- D279,911 S * 7/1985 Thompson 273/395
- D442,242 S * 5/2001 Rajacich A63B 69/0002
D21/705
- D585,949 S * 2/2009 Gaudin D21/705
- D590,459 S * 4/2009 Caswell D21/705
- D623,246 S * 9/2010 Nozato D21/705
- D649,209 S * 11/2011 Silvi D21/705
- D670,346 S * 11/2012 Pye D21/705
- 8,651,980 B2 * 2/2014 Jackson A63B 69/0002
473/435
- D703,774 S * 4/2014 Riccardella D21/699
- D779,602 S * 2/2017 Hochberg A63B 69/0097
D21/705
- D805,591 S * 12/2017 Miller A63B 63/00
D21/705
- D809,076 S * 1/2018 Yu D21/705
- D868,162 S * 11/2019 Tanoury D21/305

* cited by examiner

- (80) **Hague Agreement Data**
- Int. Filing Date: **Feb. 5, 2020**
- Int. Reg. No.: **DM/206064**
- Int. Reg. Date: **Feb. 5, 2020**
- Int. Reg. Pub. Date: **Feb. 28, 2020**

Primary Examiner — Joseph Kukella
(74) *Attorney, Agent, or Firm* — Barclay Damon LLP

- (51) **LOC (13) Cl.** **21-02**
- (52) **U.S. Cl.**
USPC **D21/705**
- (58) **Field of Classification Search**
USPC D21/699, 705, 790
CPC A63B 63/00; A63B 63/002; A63B 63/004
See application file for complete search history.

(57) **CLAIM**

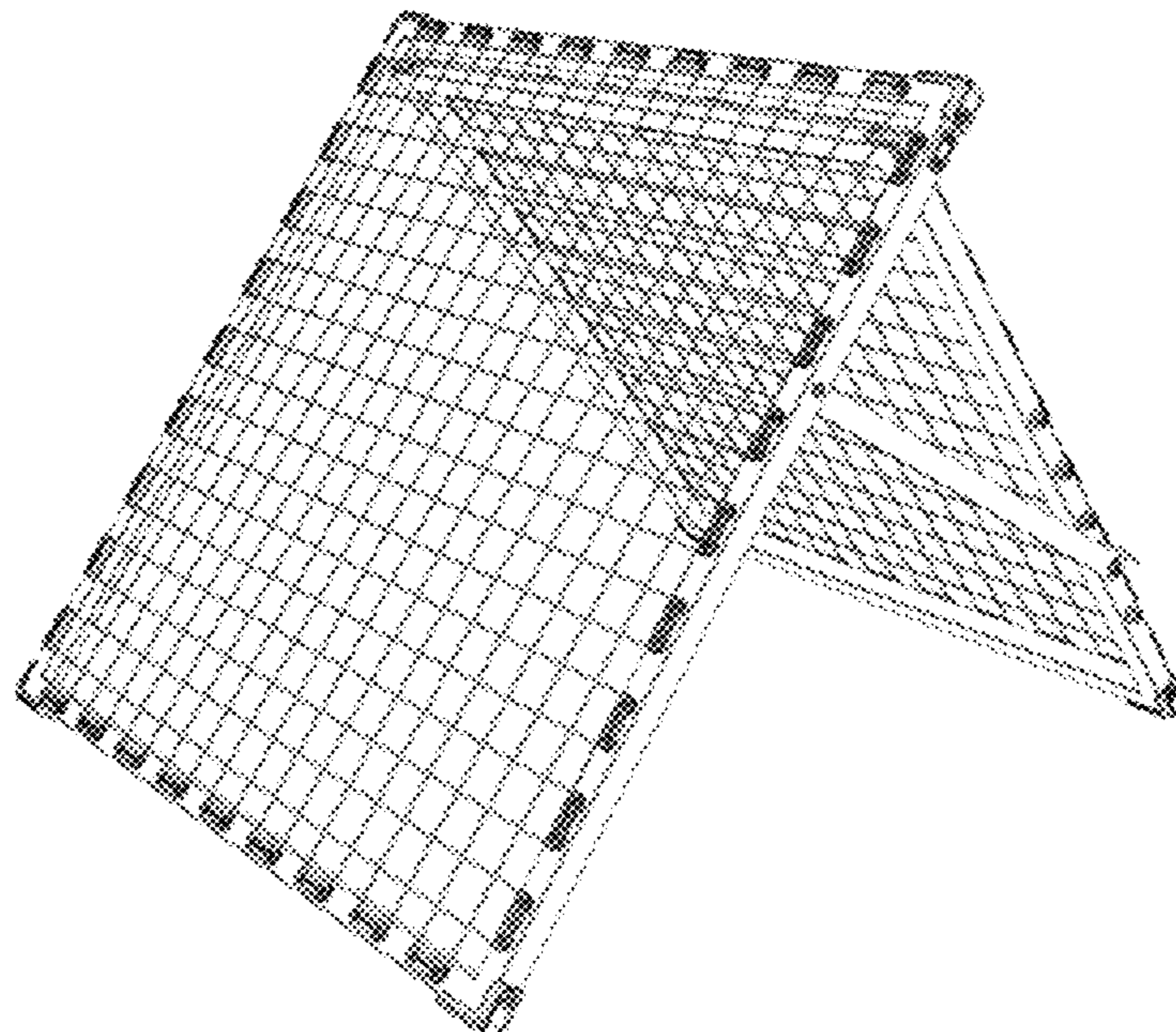
The ornamental design for a football training device, as shown and described.

- (56) **References Cited**
- U.S. PATENT DOCUMENTS
- 2,895,737 A * 7/1959 Bles A63B 63/00
473/478
- 2,944,816 A * 7/1960 Dixon A63B 69/0097
473/435

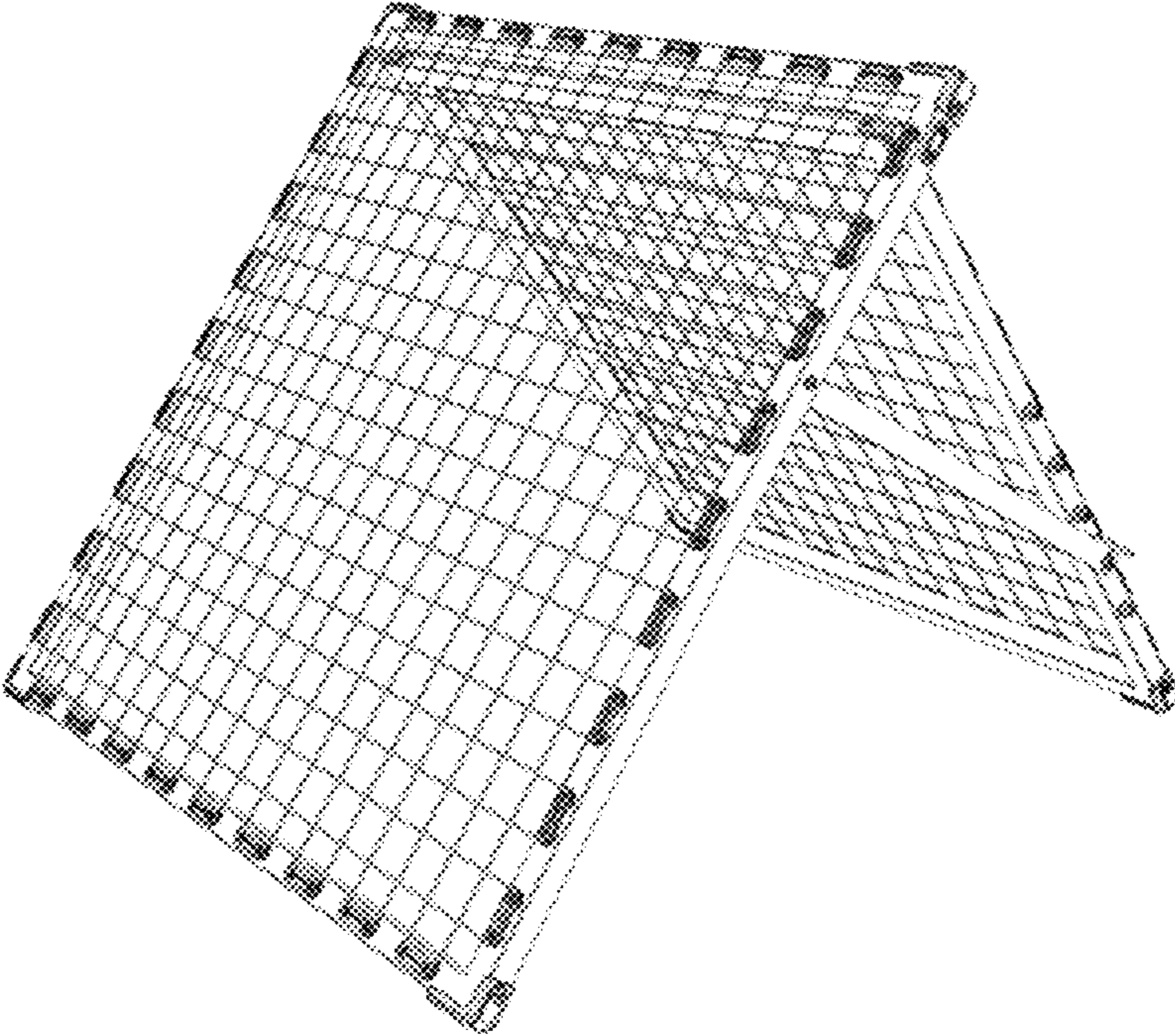
DESCRIPTION

1. Football training device
 FIG. 1.1 is a front perspective view of a football training device in accordance with my new design;
 FIG. 1.2 is a rear perspective view thereof;
 FIG. 1.3 is a right side view thereof, the left side view being a mirror image;
 FIG. 1.4 is a front perspective view thereof, in a folded position;
 FIG. 1.5 is a representative corner portion thereof; and
 FIG. 1.6 is a portion of a side perspective view thereof.

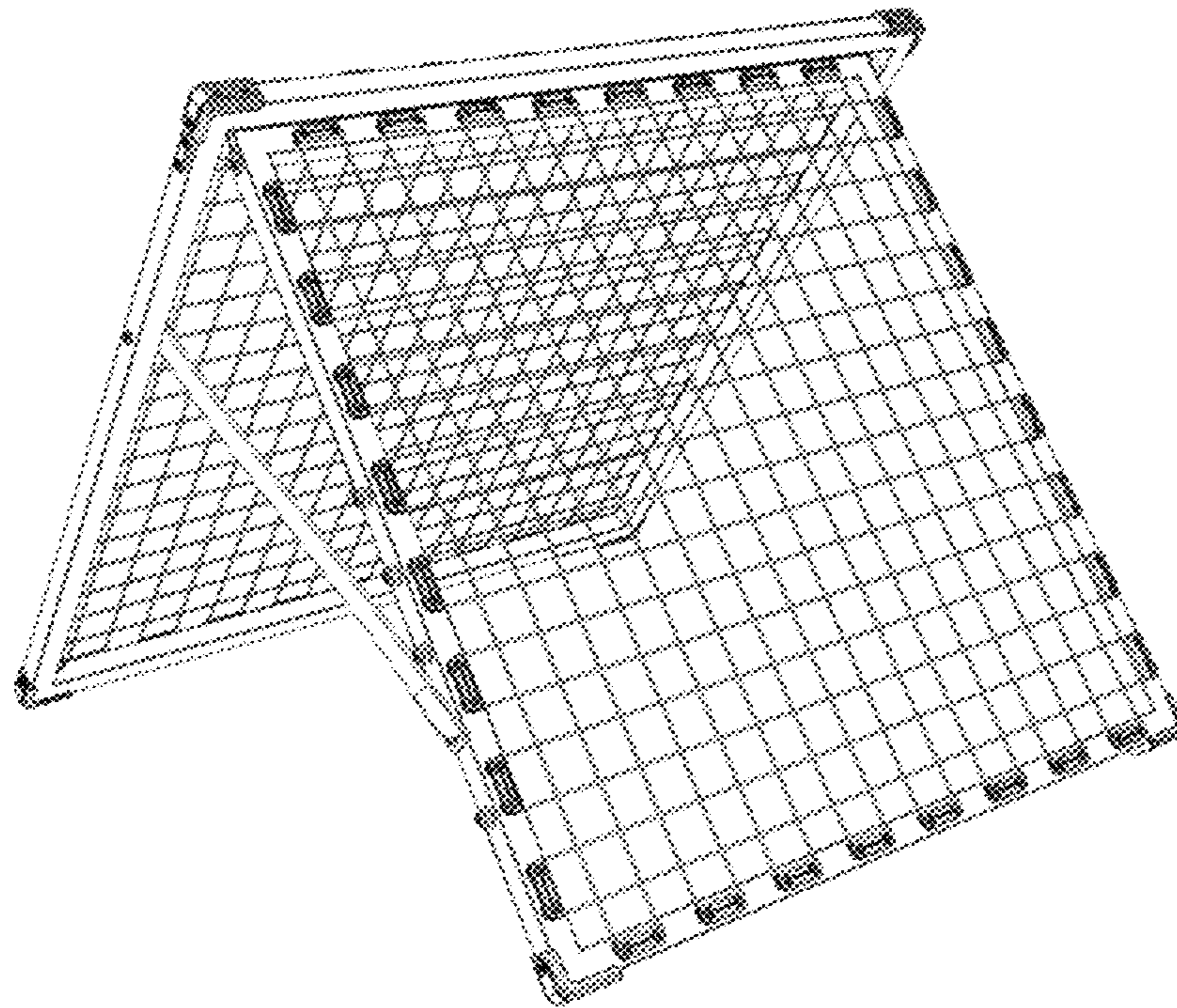
1 Claim, 6 Drawing Sheets



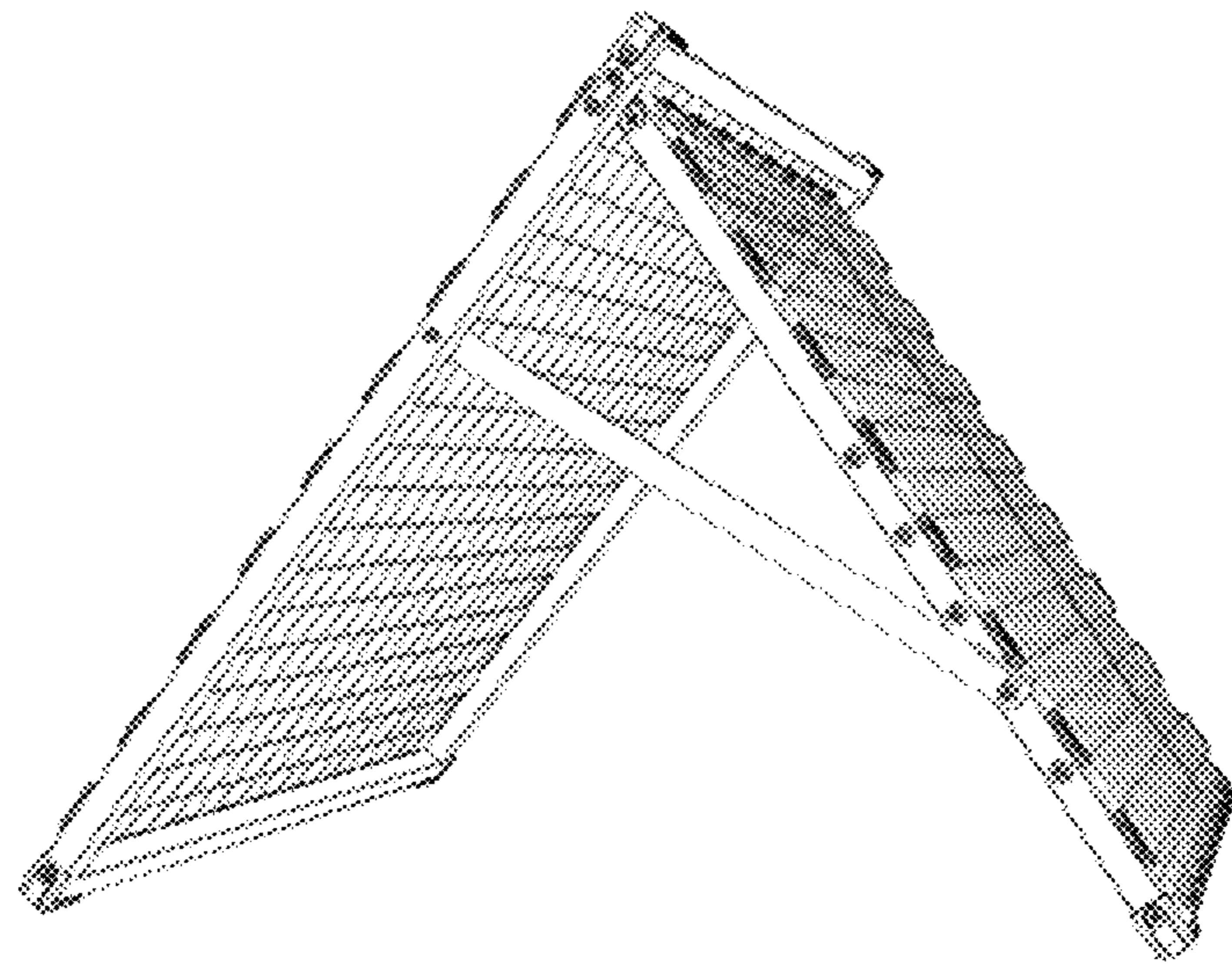
1.1



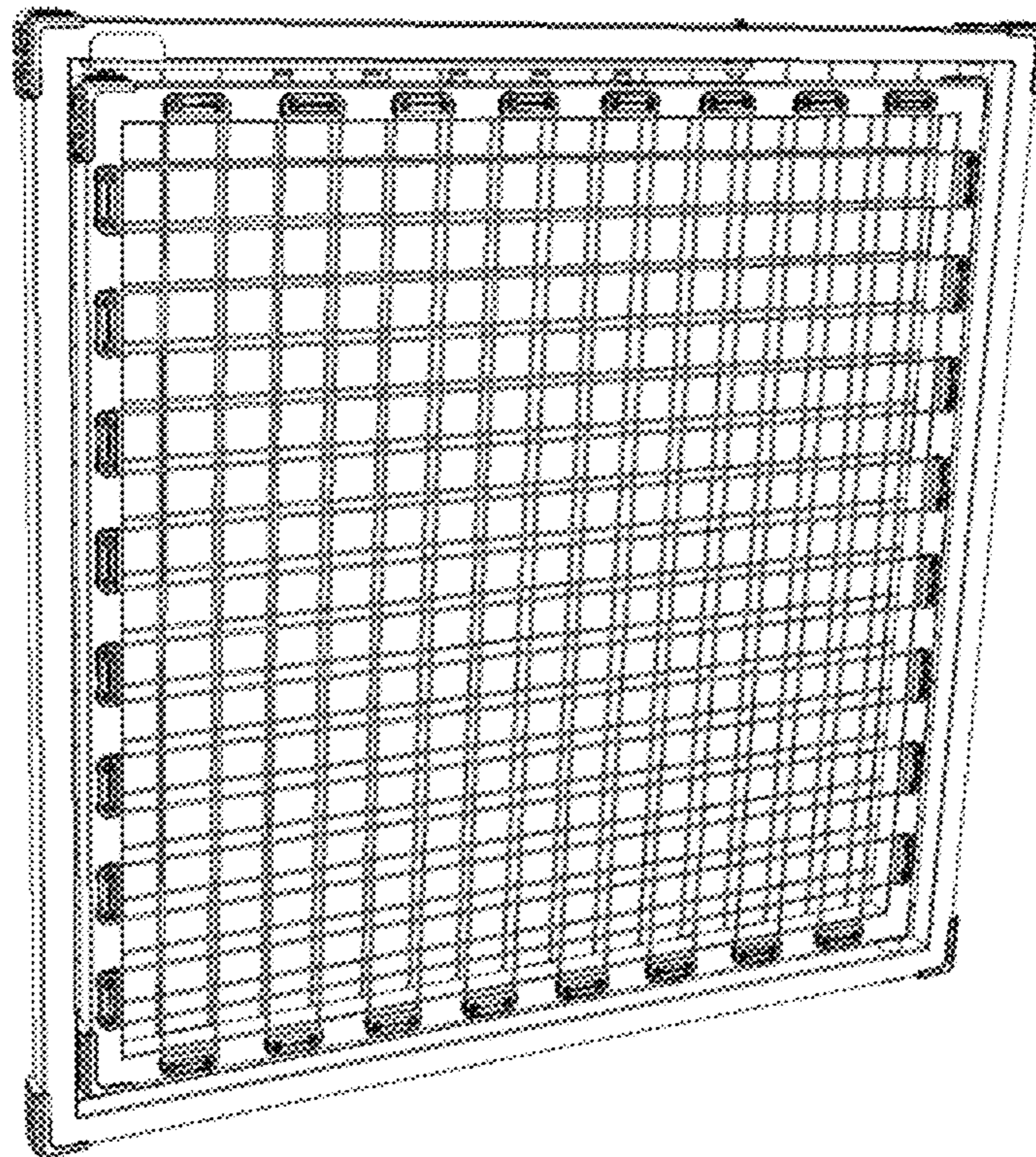
1.2



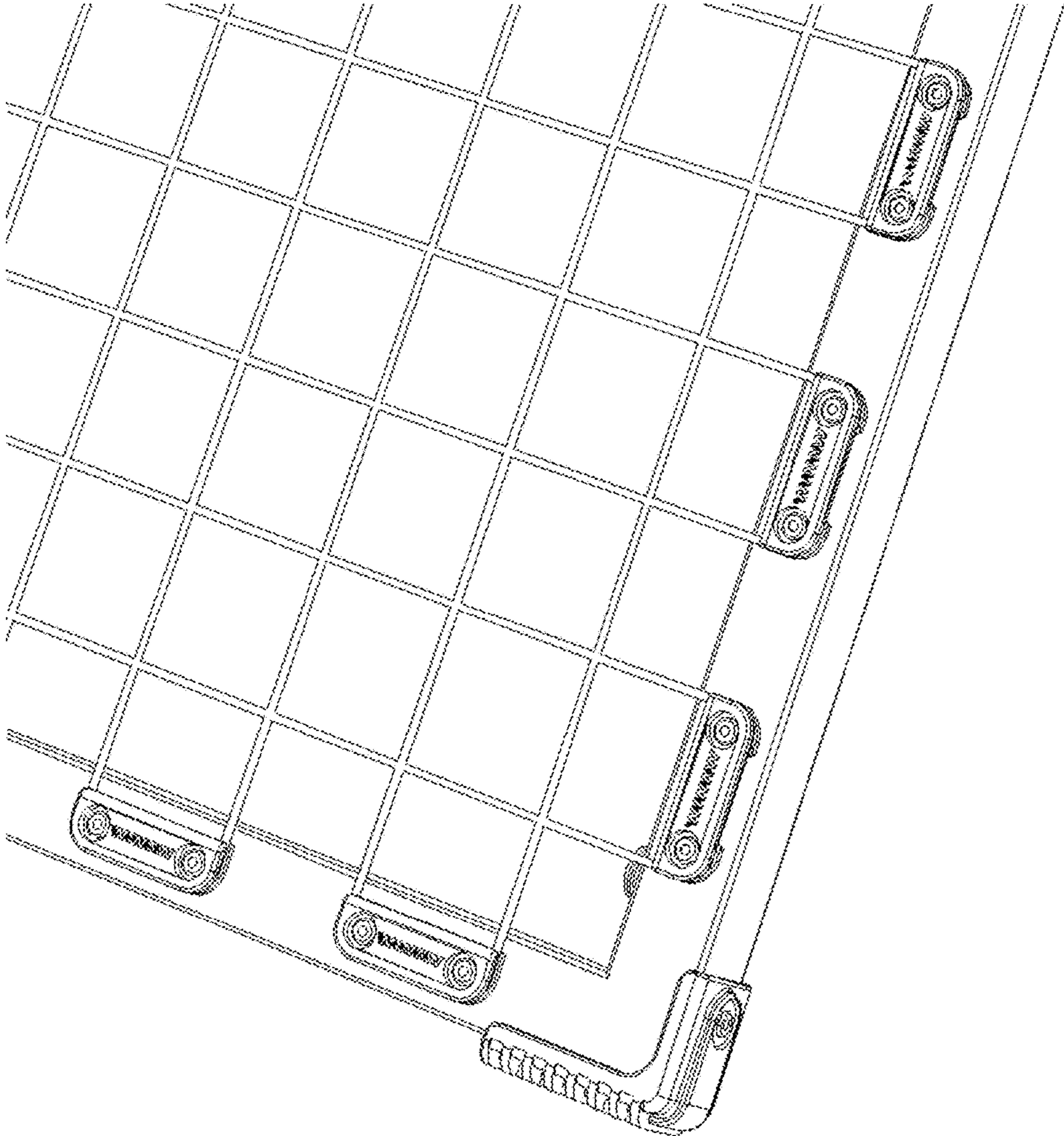
1.3



1.4



1.5



1.6

