



US00D950656S

(12) **United States Design Patent**
Andersson

(10) **Patent No.:** **US D950,656 S**
(45) **Date of Patent:** **** May 3, 2022**

(54) **BARBELL CLAMP**

(71) Applicant: **Henrik Andersson**, Cebu (PH)

(72) Inventor: **Henrik Andersson**, Cebu (PH)

(**) Term: **15 Years**

(21) Appl. No.: **29/768,721**

(22) Filed: **Feb. 1, 2021**

(51) **LOC (13) Cl.** **21-02**

(52) **U.S. Cl.**
USPC **D21/694**

(58) **Field of Classification Search**
USPC D21/694, 681, 679, 839; 482/107, 109,
482/94, 104; D8/396
CPC . A63B 21/0728; A63B 21/075; A63B 21/078;
A63B 21/072; A63B 21/0722; A63B
21/0724; F16B 2200/406; F16B
2200/403; F16B 2/185; F16B 2/10
See application file for complete search history.

(56) **References Cited**

U.S. PATENT DOCUMENTS

D280,433 S *	9/1985	Lincir	D21/694
D736,884 S *	8/2015	Lovley, II	D21/839
D764,608 S *	8/2016	Jones	D21/694
D766,384 S *	9/2016	Jones	D21/694
D780,860 S *	3/2017	Jones	D21/694

D780,861 S *	3/2017	Jones	D21/694
D794,440 S	8/2017	Papafagos et al.	
9,764,183 B2 *	9/2017	Roepke	A63B 21/0728
D859,136 S	9/2019	Tenander et al.	
D861,473 S	10/2019	Yesavage et al.	
D865,881 S	11/2019	Muir et al.	
D895,745 S *	9/2020	Jones	D21/694
D900,946 S	11/2020	Muir	
D905,805 S	12/2020	Muir et al.	
2008/0287271 A1 *	11/2008	Jones	F16B 2/185 482/107
2017/0151460 A1 *	6/2017	Jennings	A63B 21/075

* cited by examiner

Primary Examiner — Ryan Harvey

(74) *Attorney, Agent, or Firm* — Rumit Ranjit Kanakia

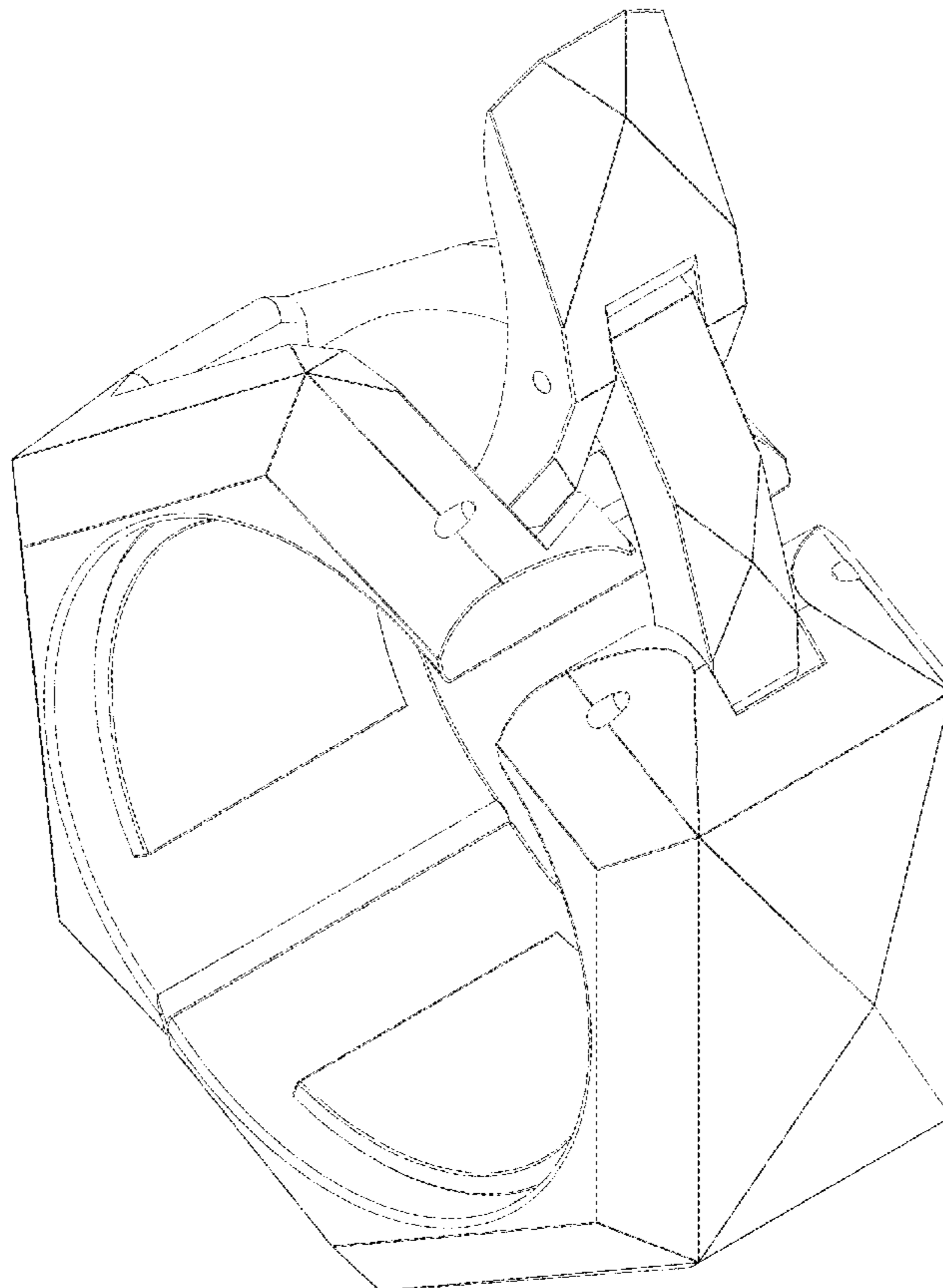
(57) **CLAIM**

I claim the ornamental design for a barbell clamp, as shown and described.

DESCRIPTION

FIG. 1 is a Perspective view of a barbell clamp showing my new design;
FIG. 2 is a Front view thereof;
FIG. 3 is a Back view thereof;
FIG. 4 is a Right-side view thereof;
FIG. 5 is a Left-side view thereof;
FIG. 6 is a Top view thereof; and,
FIG. 7 is a Bottom view thereof.

1 Claim, 7 Drawing Sheets



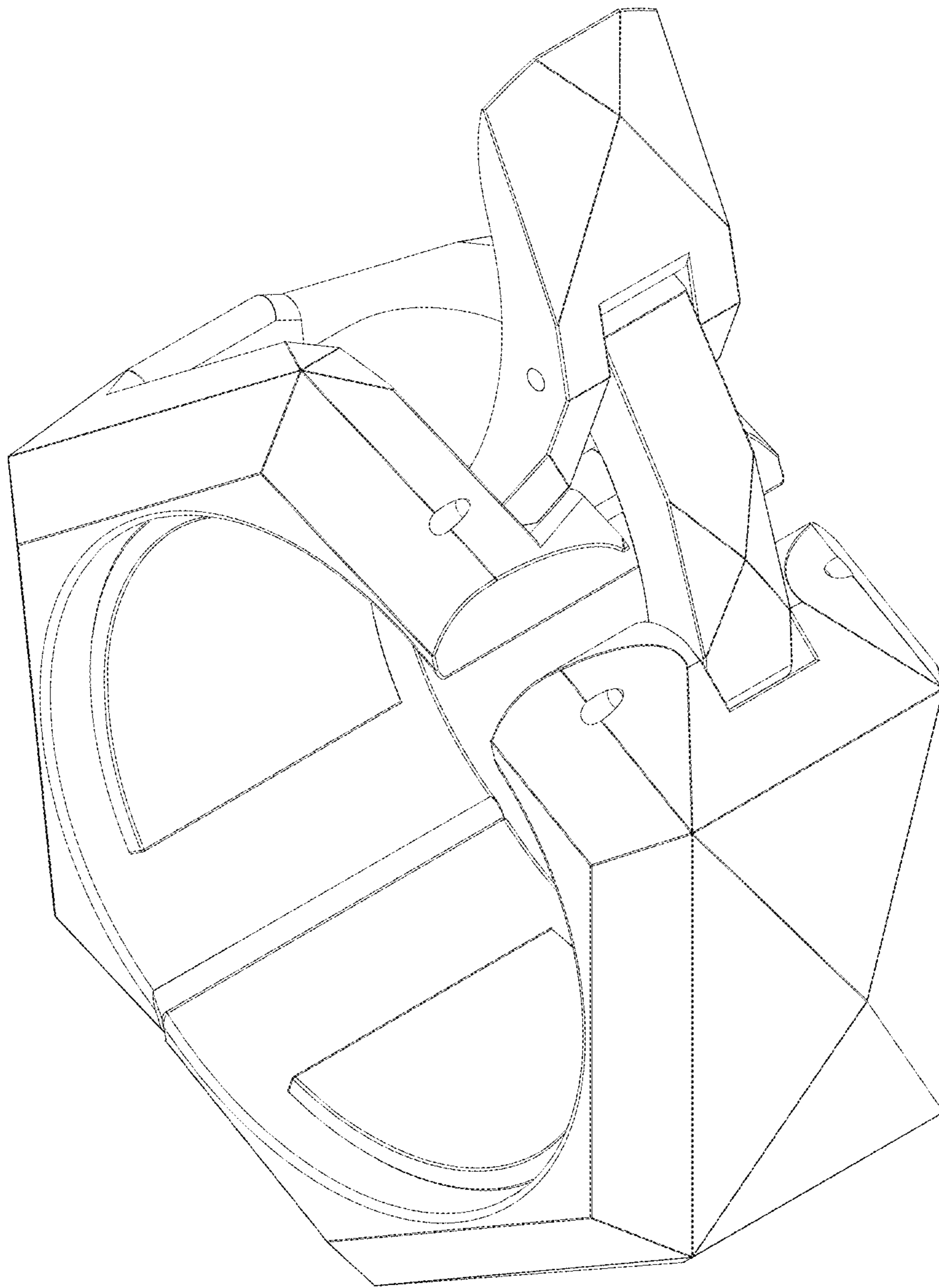


FIG. 1

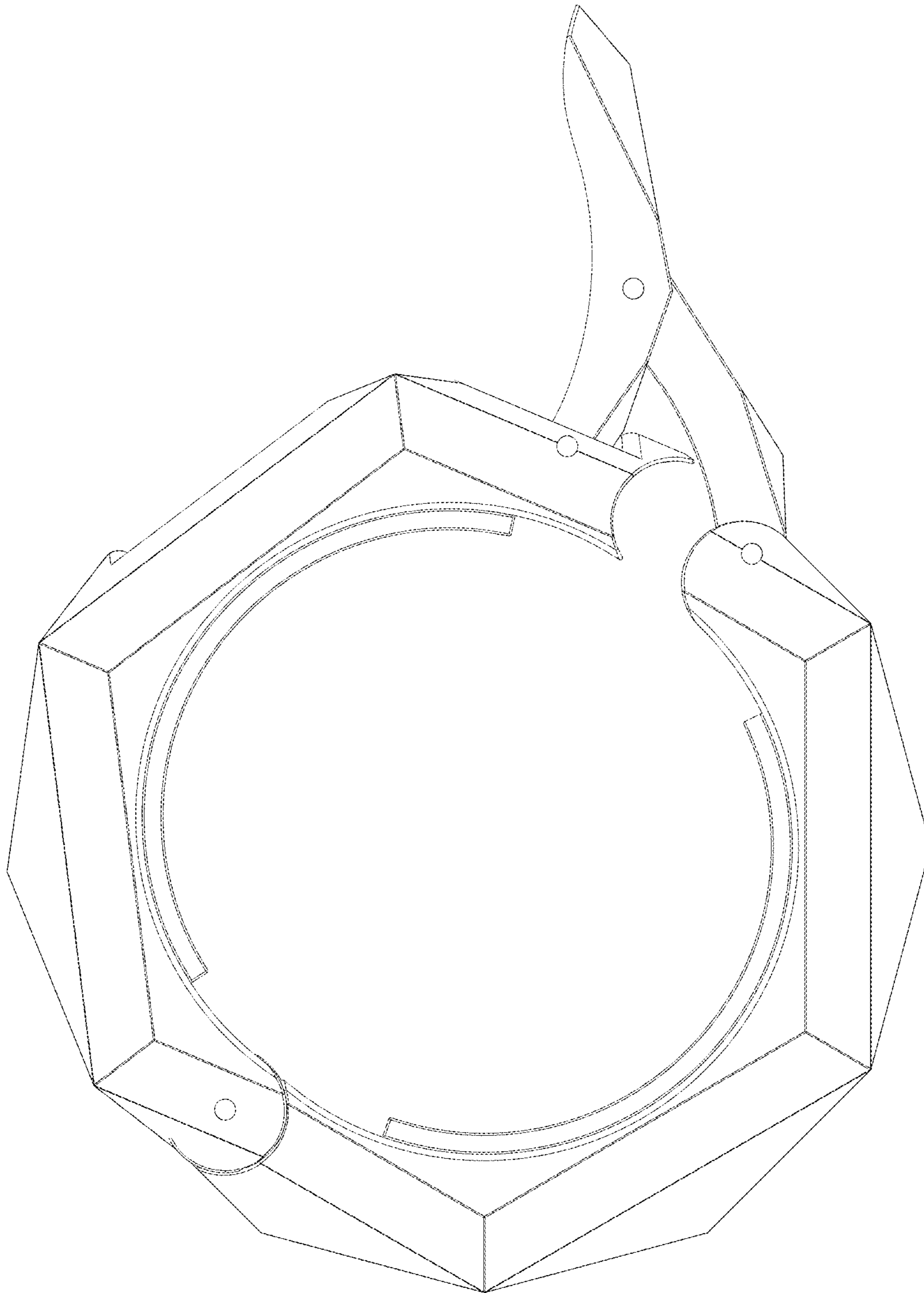


FIG. 2

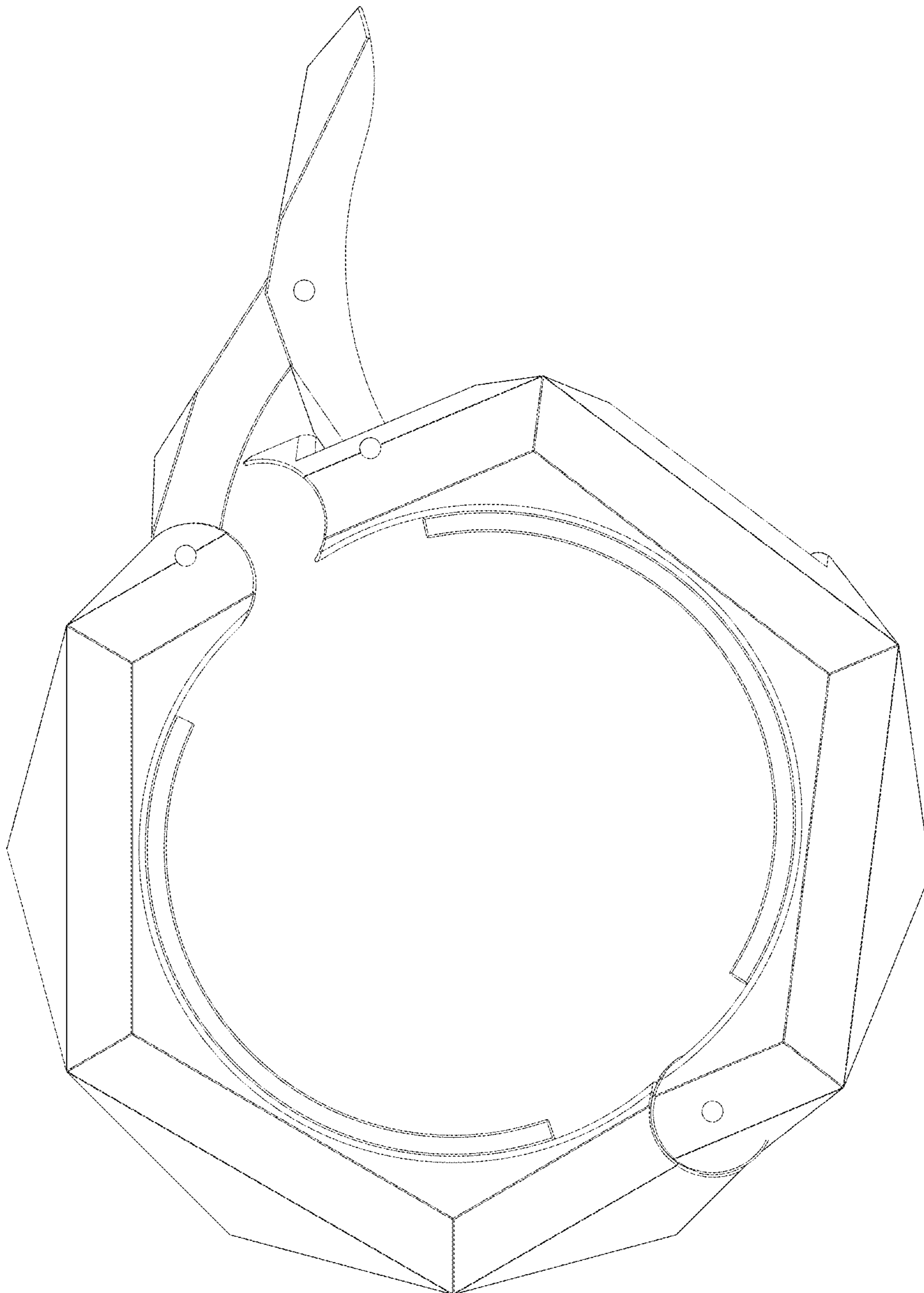


FIG. 3

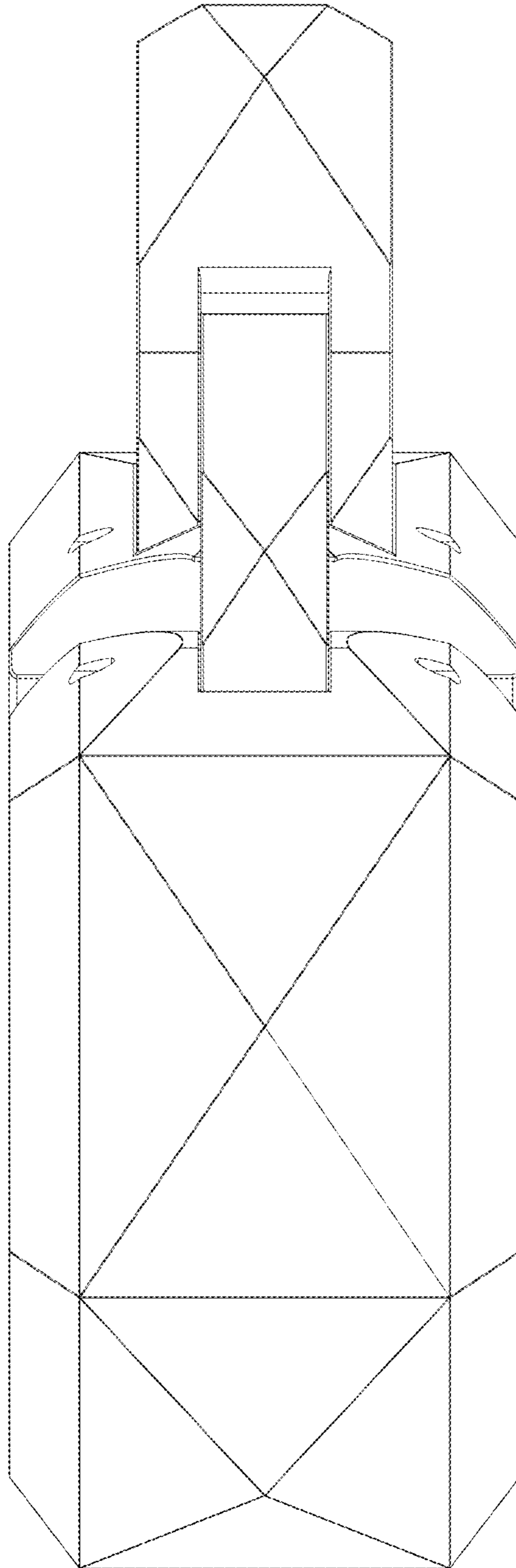


FIG. 4

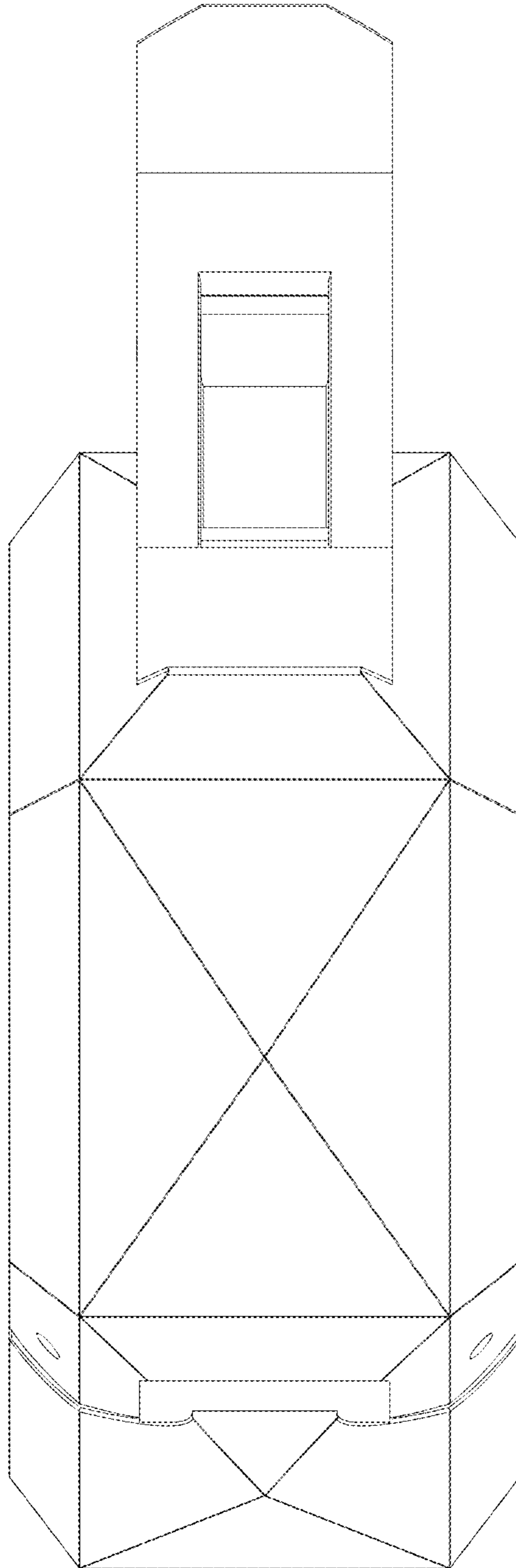


FIG. 5

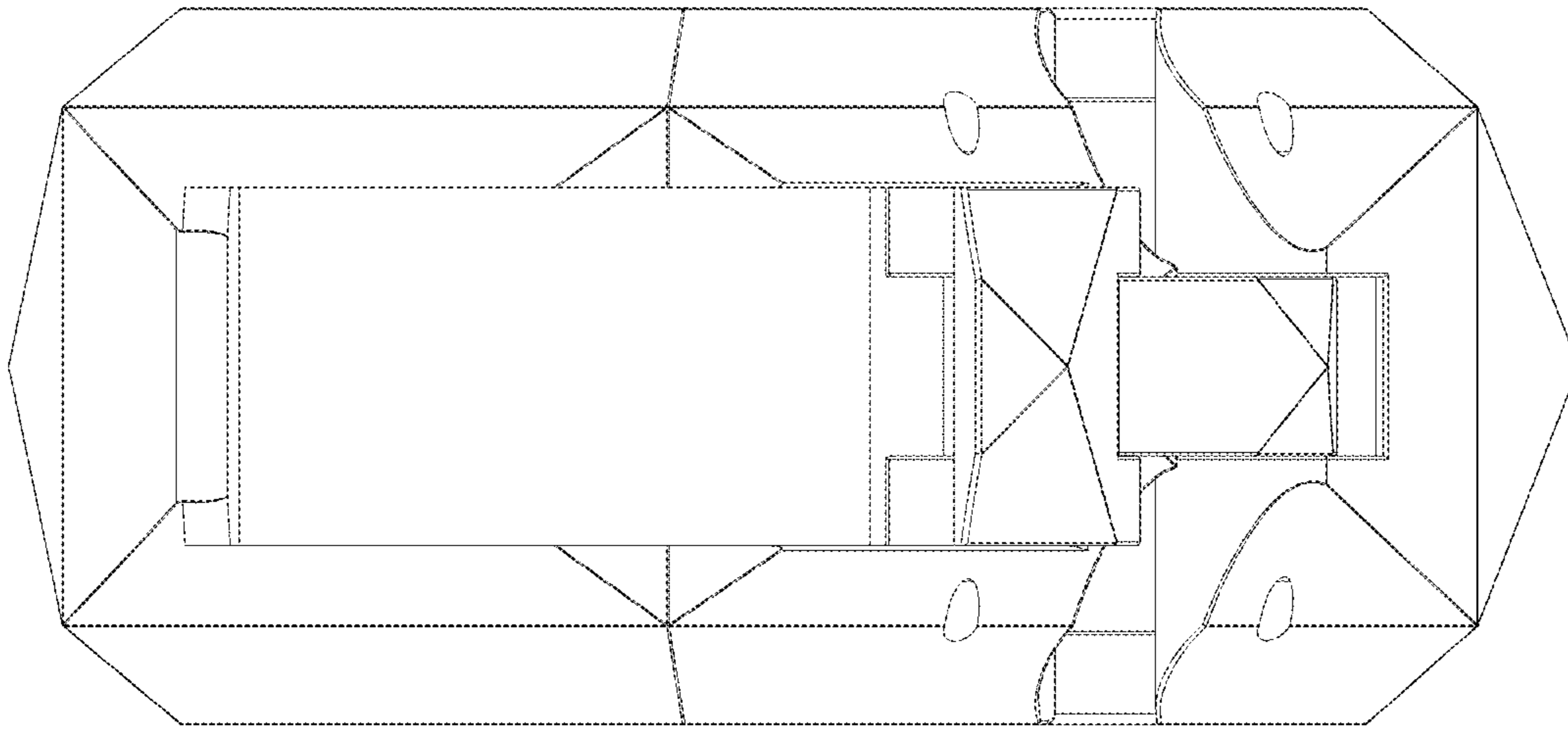


FIG. 6

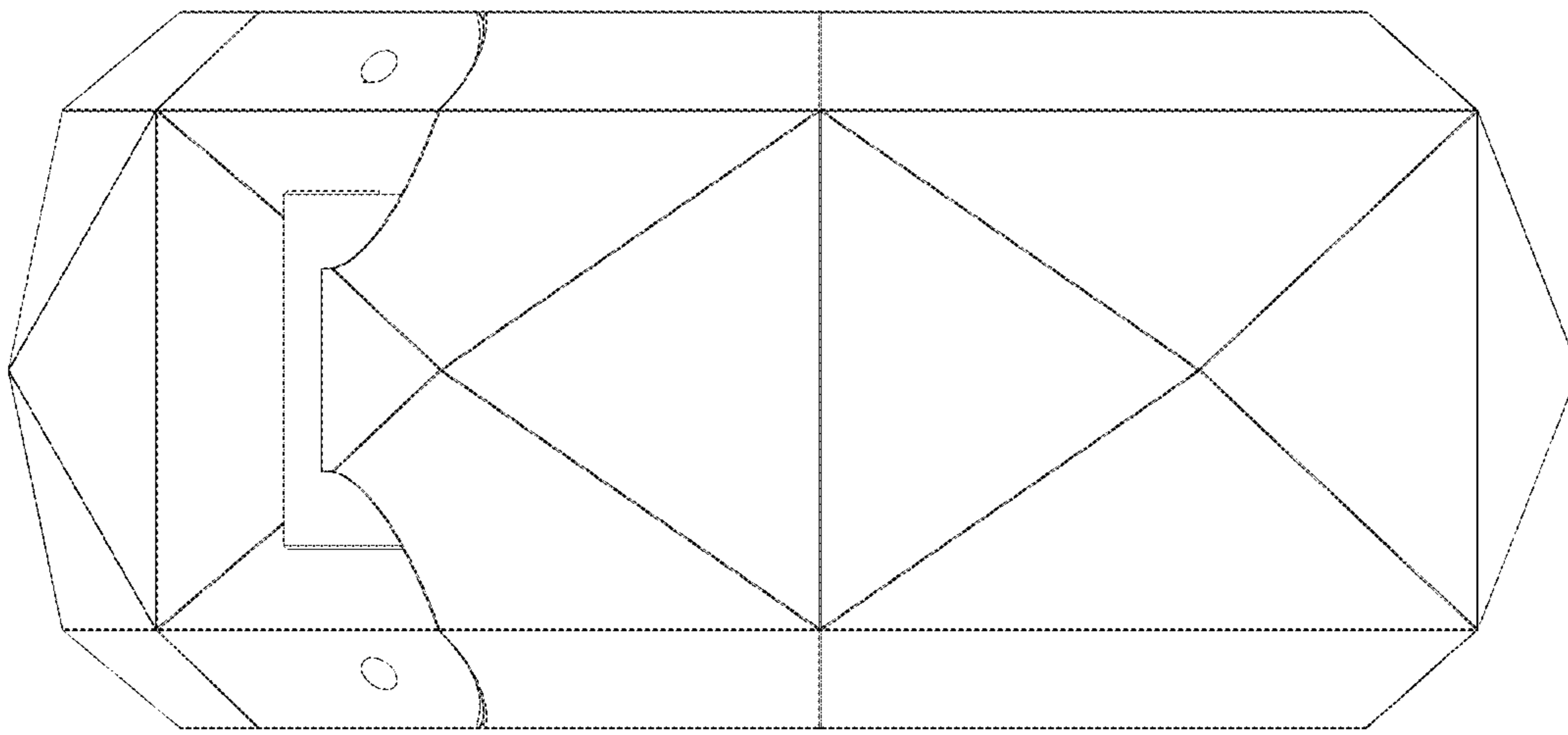


FIG. 7