



US00D950655S

(12) **United States Design Patent**  
**Cheng**

(10) **Patent No.:** **US D950,655 S**

(45) **Date of Patent:** **\*\* May 3, 2022**

(54) **HANDLE FOR SPORTS EQUIPMENT ROPE**

(71) Applicant: **SHANQ DIH CO., LTD.**, Tainan (TW)

(72) Inventor: **Cheng-Kuo Cheng**, Tainan (TW)

(73) Assignee: **Shanq Dih Co., Ltd.**, Tainan (TW)

(\*\*) Term: **15 Years**

(21) Appl. No.: **29/736,671**

(22) Filed: **Jun. 2, 2020**

(51) **LOC (13) Cl.** ..... **21-02**

(52) **U.S. Cl.**  
USPC ..... **D21/694**

(58) **Field of Classification Search**  
USPC ..... D21/694, 686, 662, 672; D6/546, 548;  
D8/360, 356, 14, 75, 83  
See application file for complete search history.

(56) **References Cited**

**U.S. PATENT DOCUMENTS**

614,173 A *	11/1898	Kelly	.....	A45F 5/1046 292/DIG. 16
7,805,813 B1 *	10/2010	Bunyard	.....	A47J 45/072 16/110.1
D795,972 S *	8/2017	Baudhuin	.....	A63B 23/1209 D21/694
D846,967 S *	4/2019	Werdowatz	.....	D8/303
D882,003 S *	4/2020	Sparber	.....	D21/694

**OTHER PUBLICATIONS**

Minn Kota Store, announced 2005[online], [site visited Feb. 22, 2022]. Available on internet, URL:<https://www.amazon.com/MinnKota->

MKA-45-Replacement-Rope-Handle/dp/B001PTHKNU/ref (Year: 2005).\*

\* cited by examiner

*Primary Examiner* — Khawaja Anwar

*Assistant Examiner* — Julice Seung Eun Oum

(74) *Attorney, Agent, or Firm* — Rosenberg, Klein & Lee

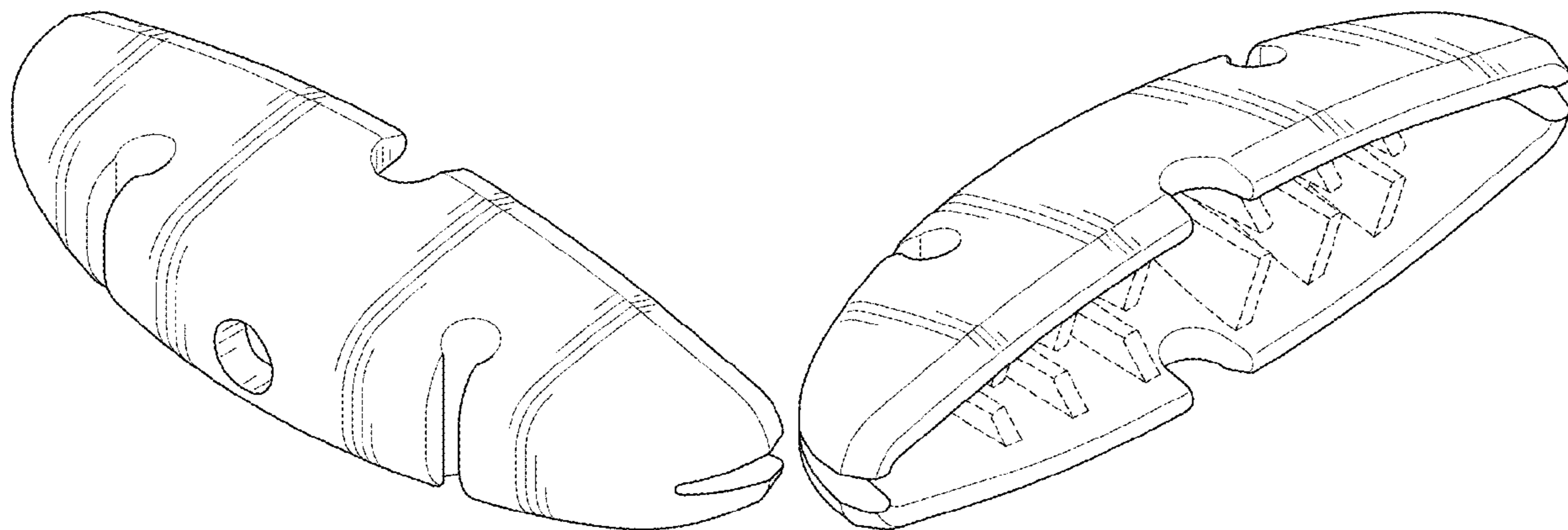
(57) **CLAIM**

The ornamental design for a handle for sports equipment rope, as shown and described.

**DESCRIPTION**

FIG. 1 is a front perspective view of a handle for sports equipment rope showing my new design; FIG. 2 is a front elevational view thereof; FIG. 3 is a rear elevational view thereof; FIG. 4 is a left side elevational view thereof; FIG. 5 is a right side elevational view thereof; FIG. 6 is a top plan view thereof; FIG. 7 is a bottom plan view thereof; FIG. 8 is a rear perspective view thereof; FIG. 9 is a first cross-sectional view taken along the line 9-9 in FIG. 2; FIG. 10 is a second cross-sectional view taken along the line 9-9 in FIG. 2, shown in use; FIG. 11 is a third cross-sectional view taken along the line 9-9 in FIG. 2, shown in use; FIG. 12 is a fourth cross-sectional view taken along the line 9-9 of FIG. 2, shown in use; and, FIG. 13 is a perspective view thereof, shown in use. The broken lines shown in the figures are included for illustrating unclaimed portions of the handle for sports equipment rope and form no part of the claimed design.

**1 Claim, 13 Drawing Sheets**



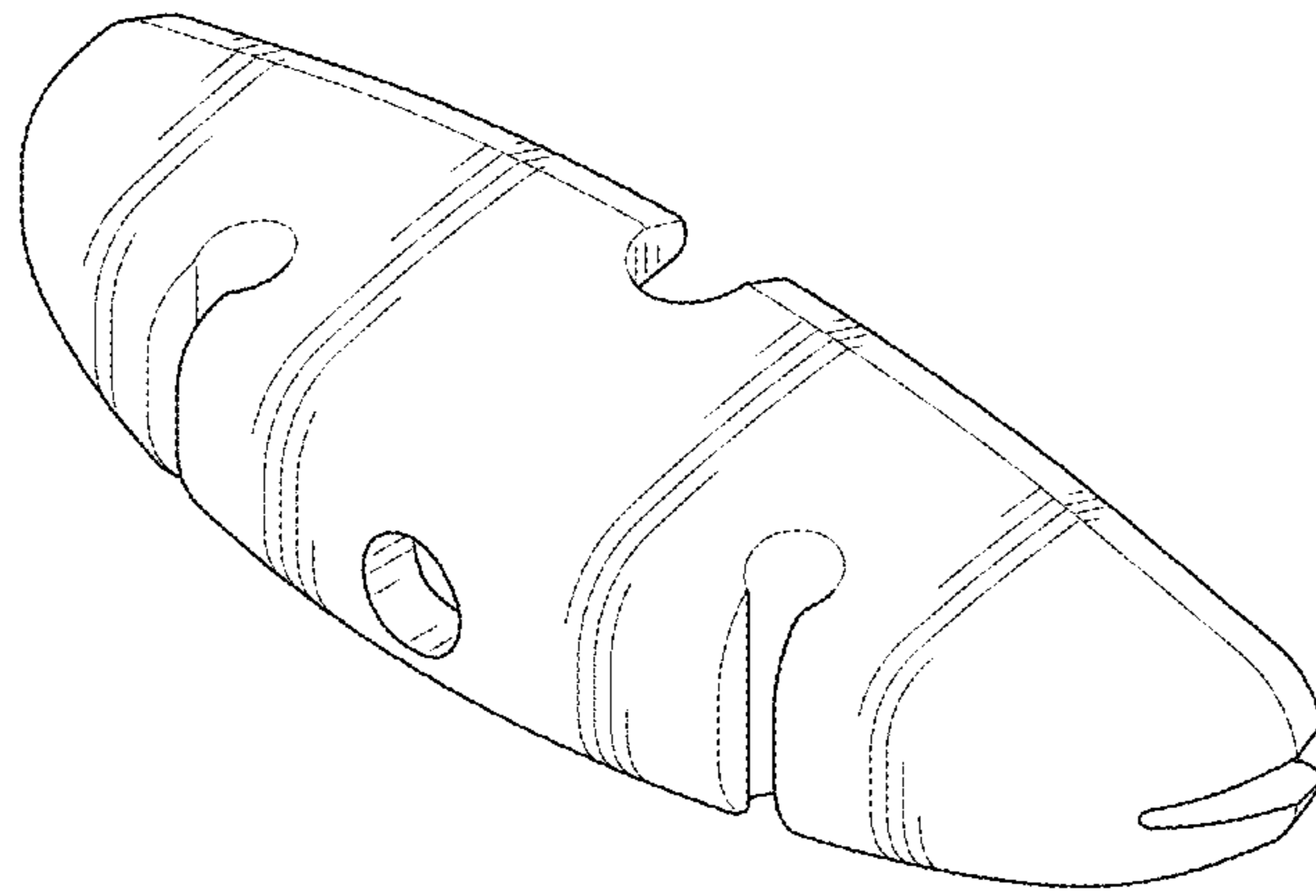


FIG. 1

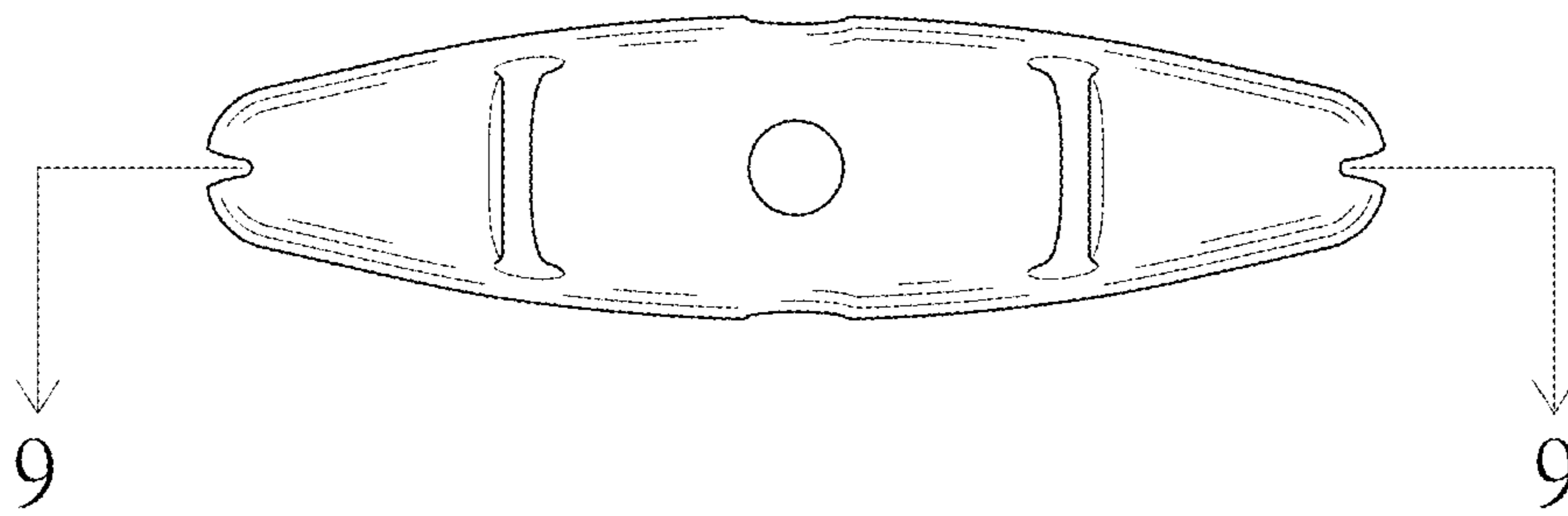


FIG. 2

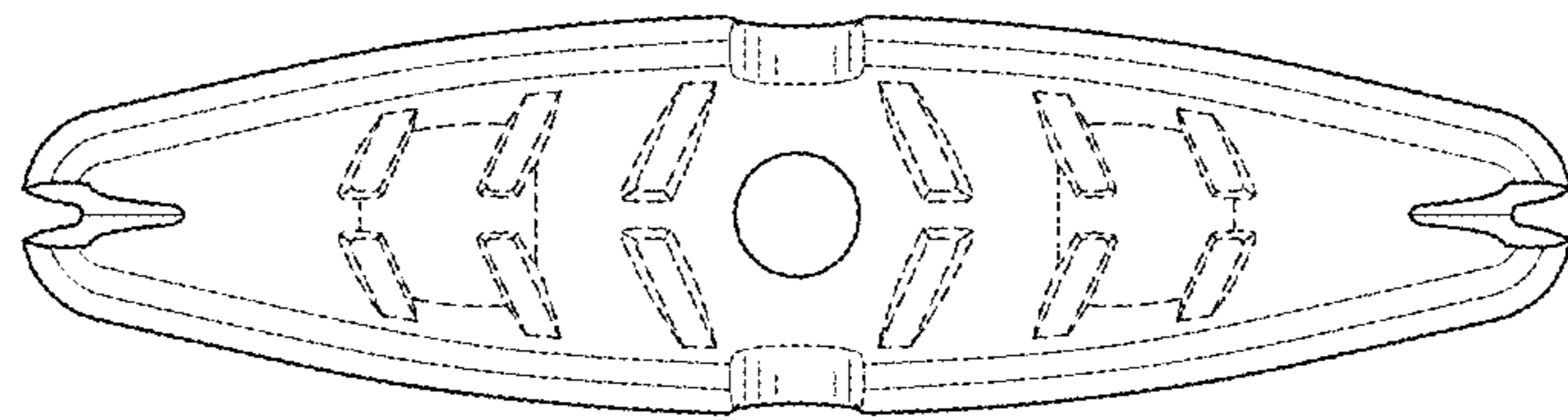


FIG. 3

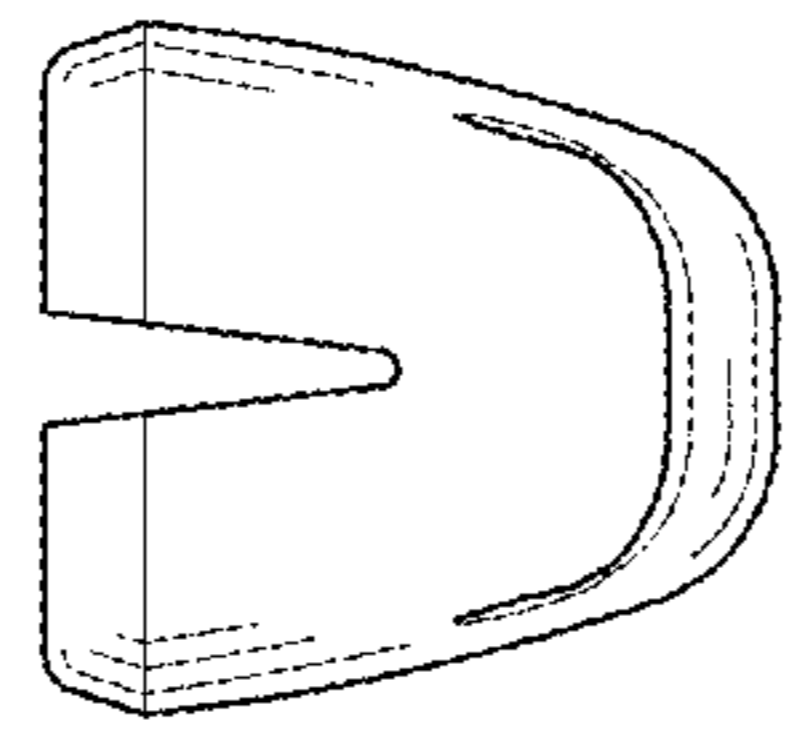


FIG. 4

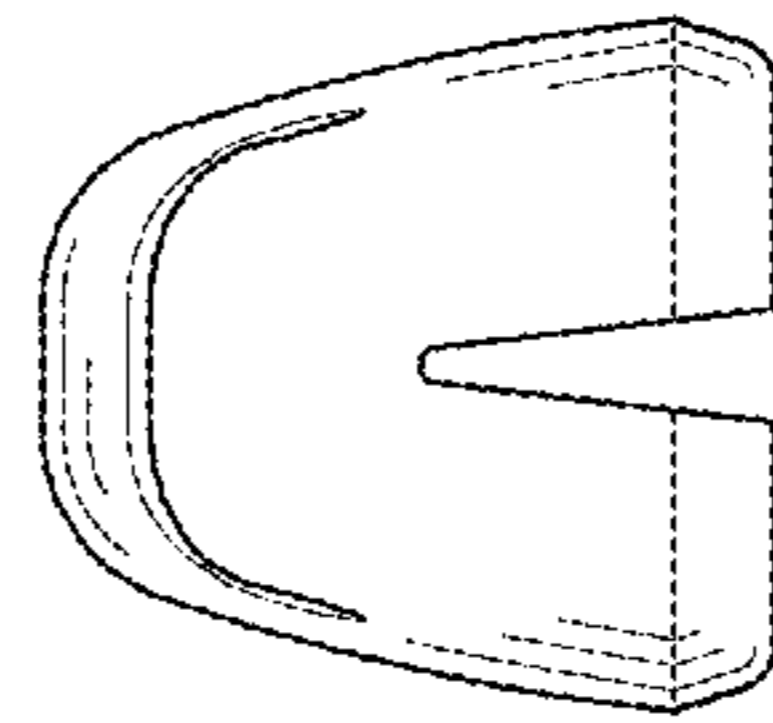


FIG. 5

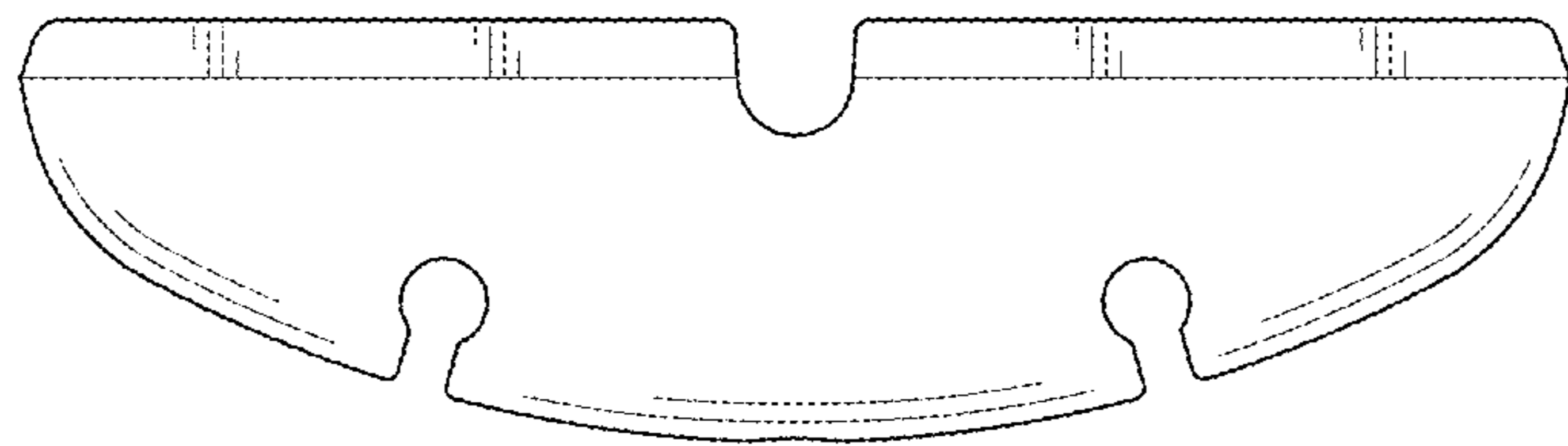


FIG. 6

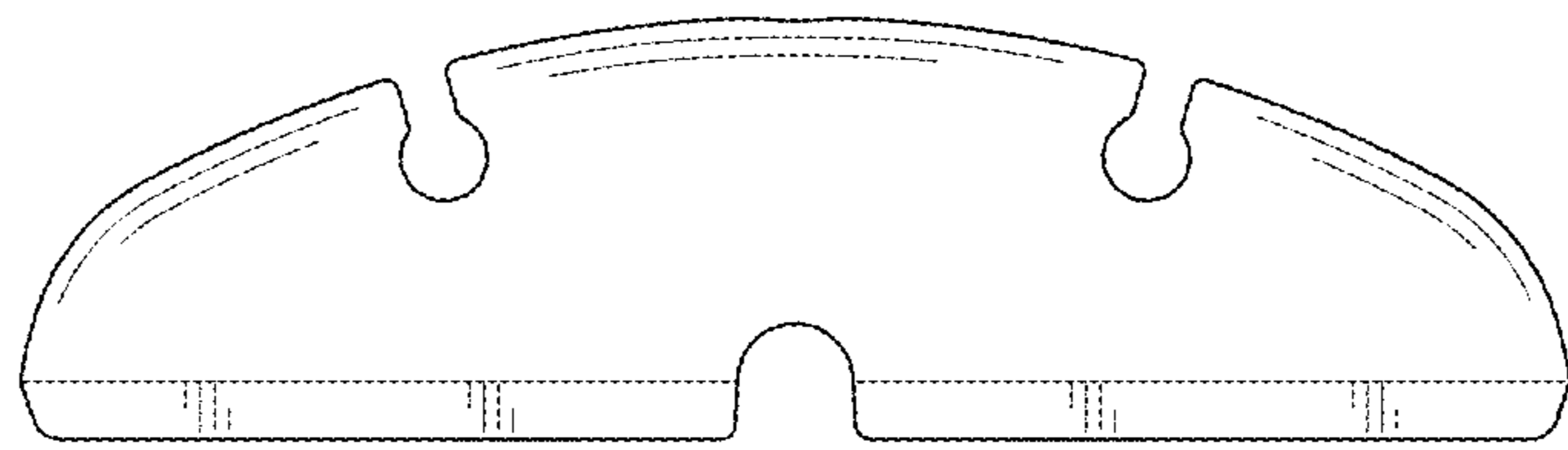


FIG. 7



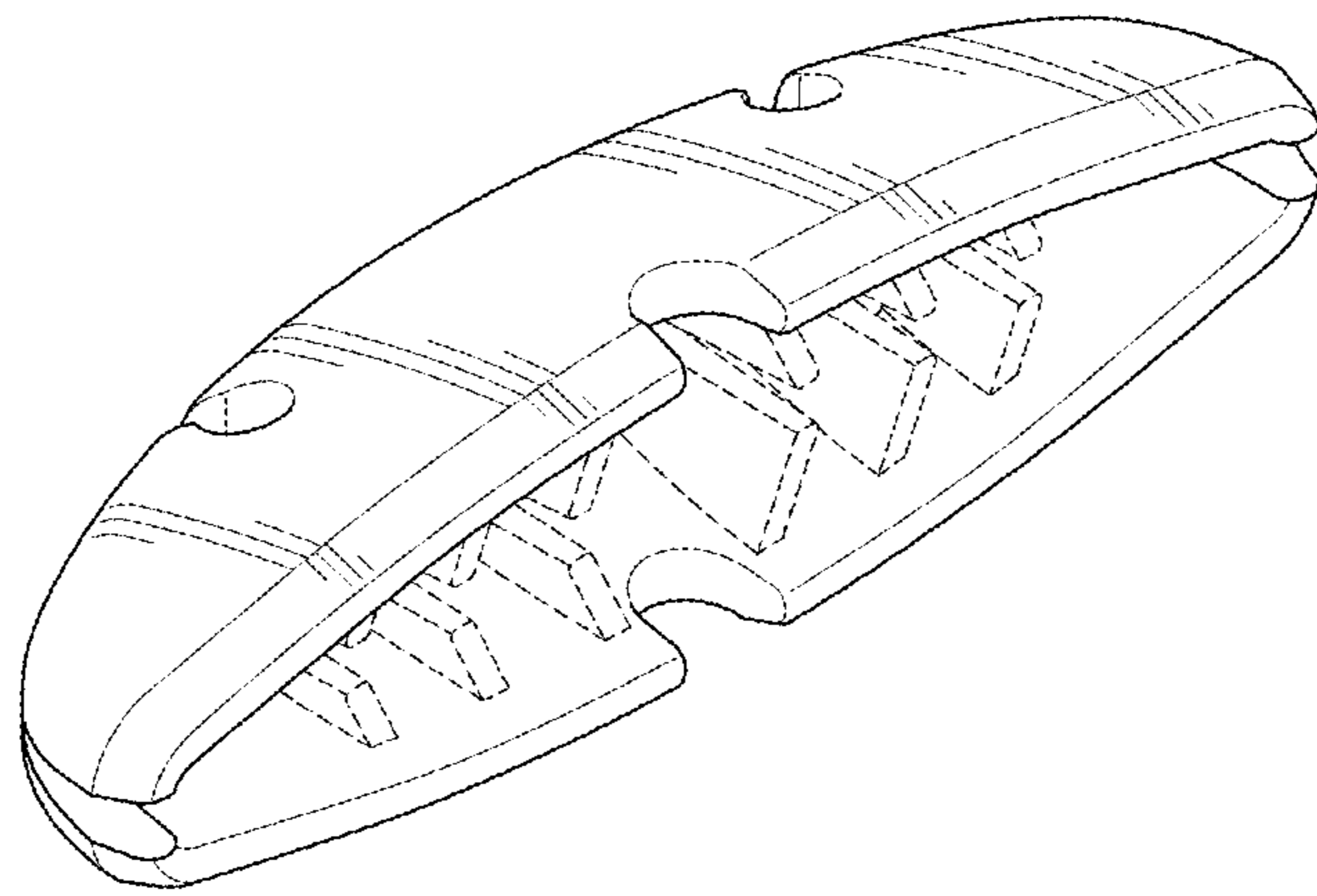


FIG. 8

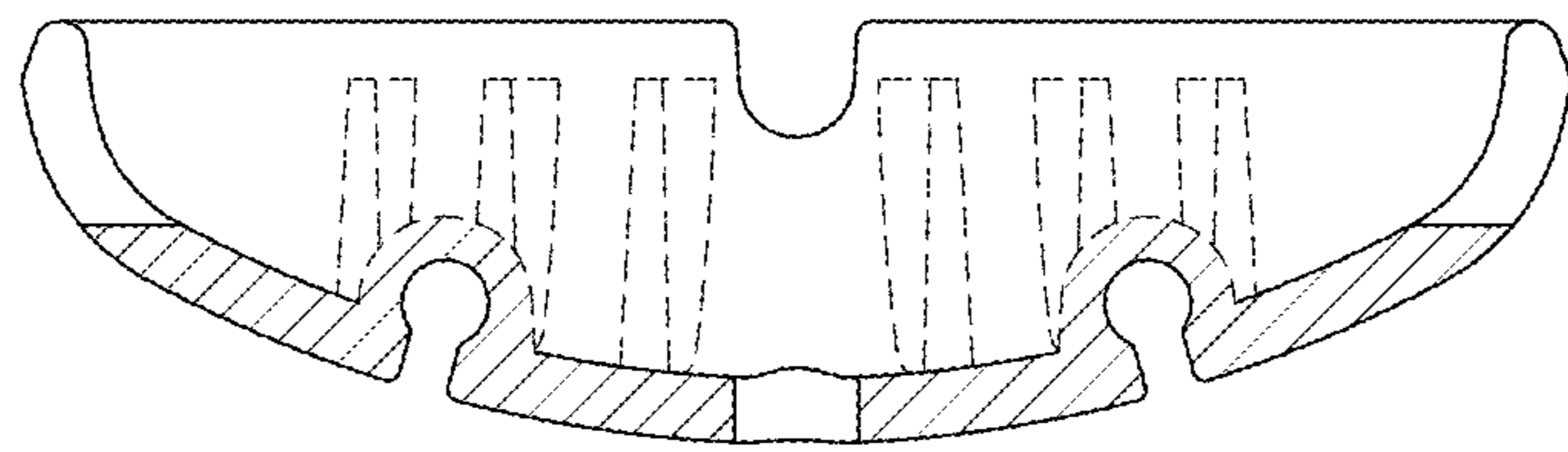


FIG. 9

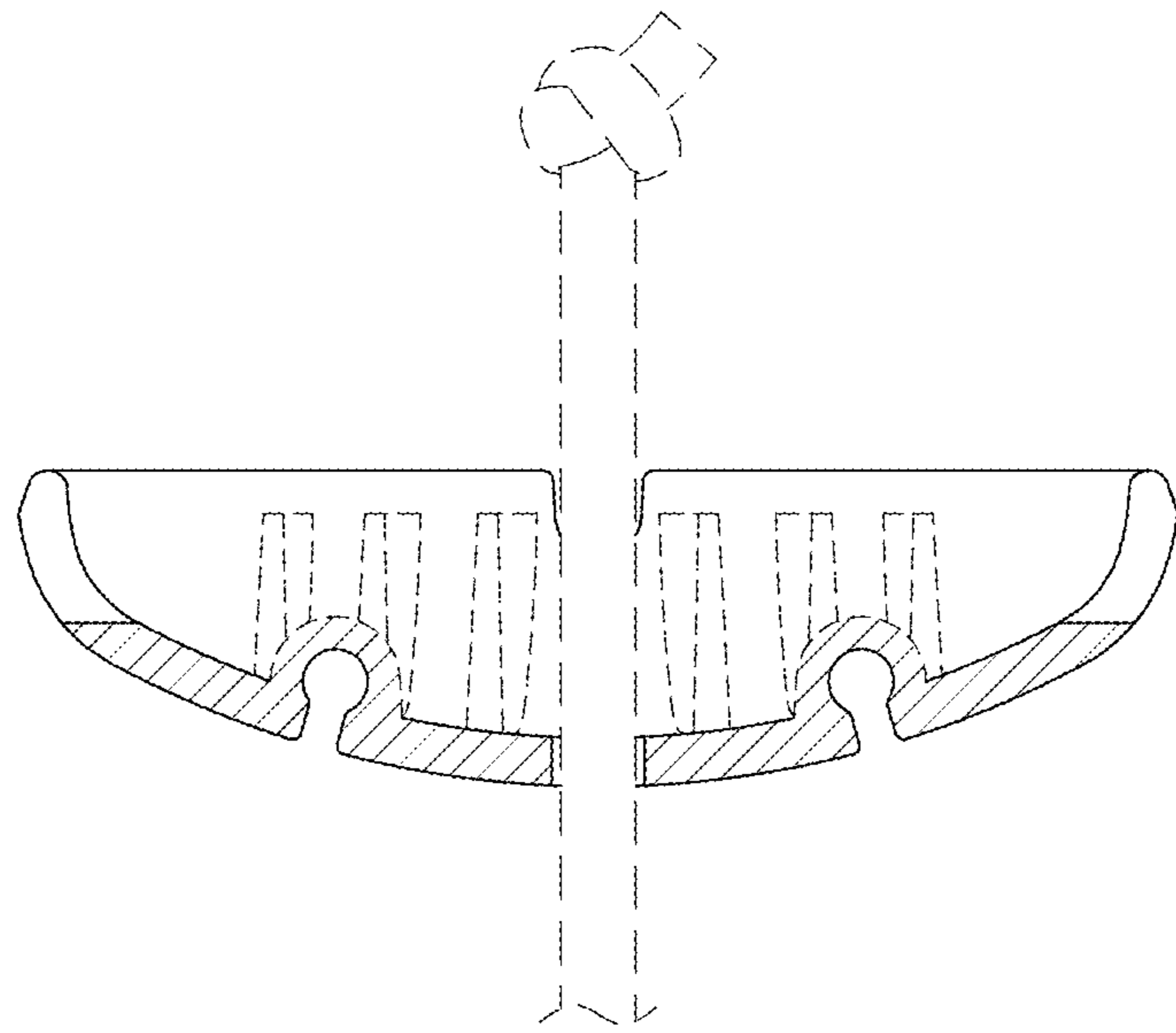


FIG. 10

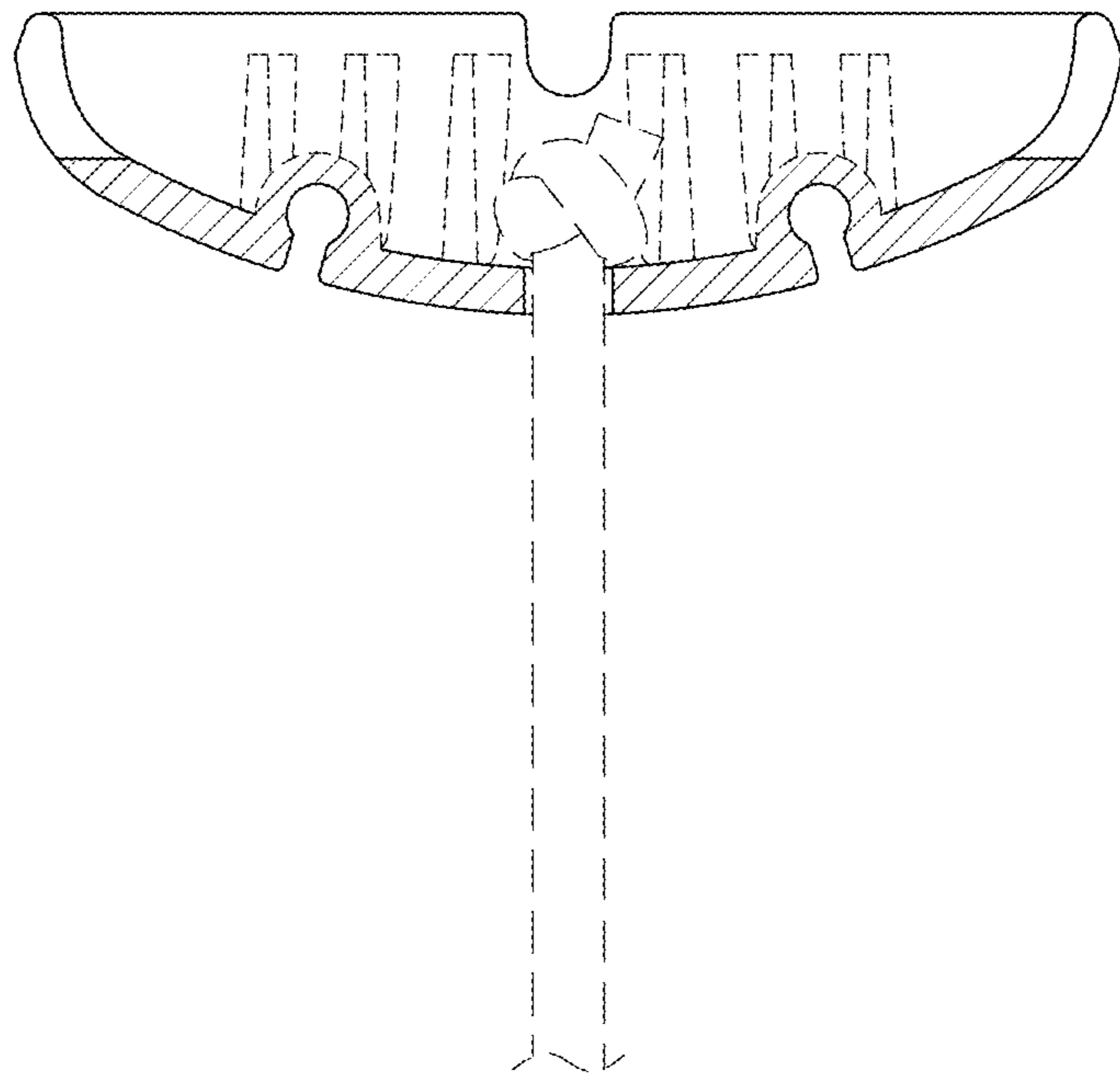


FIG. 11

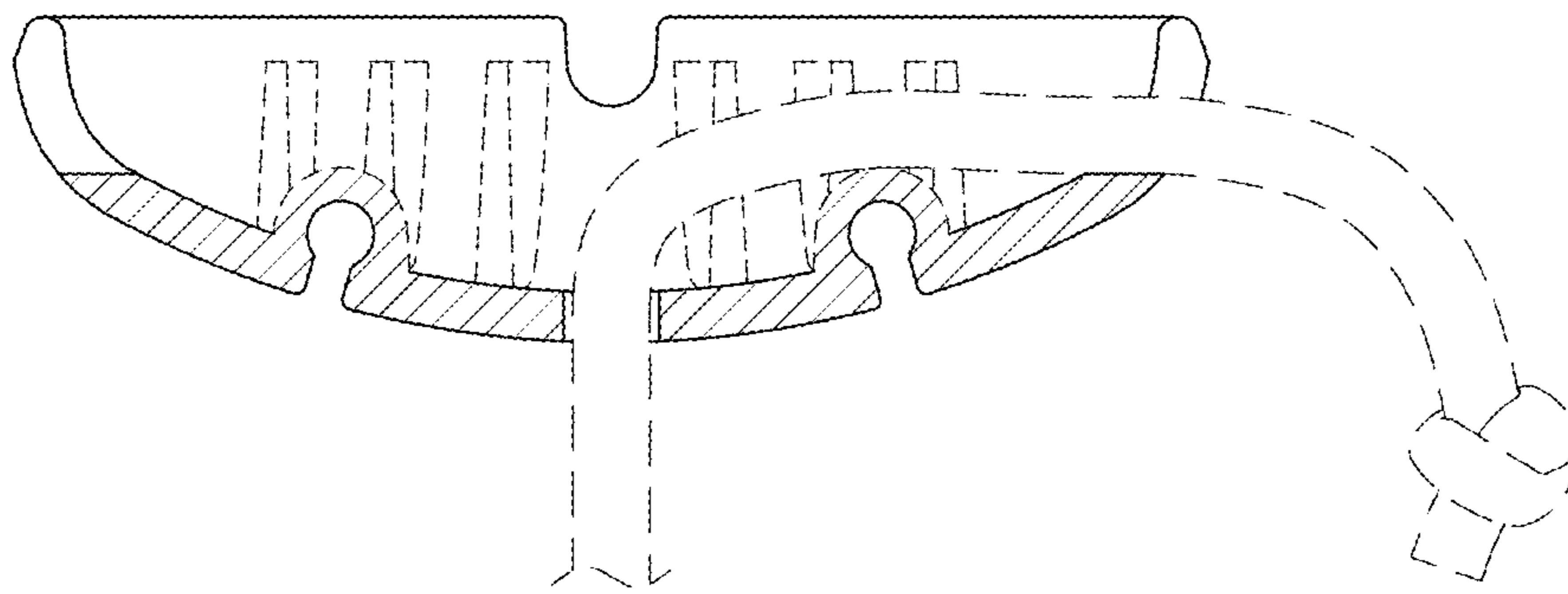


FIG. 12

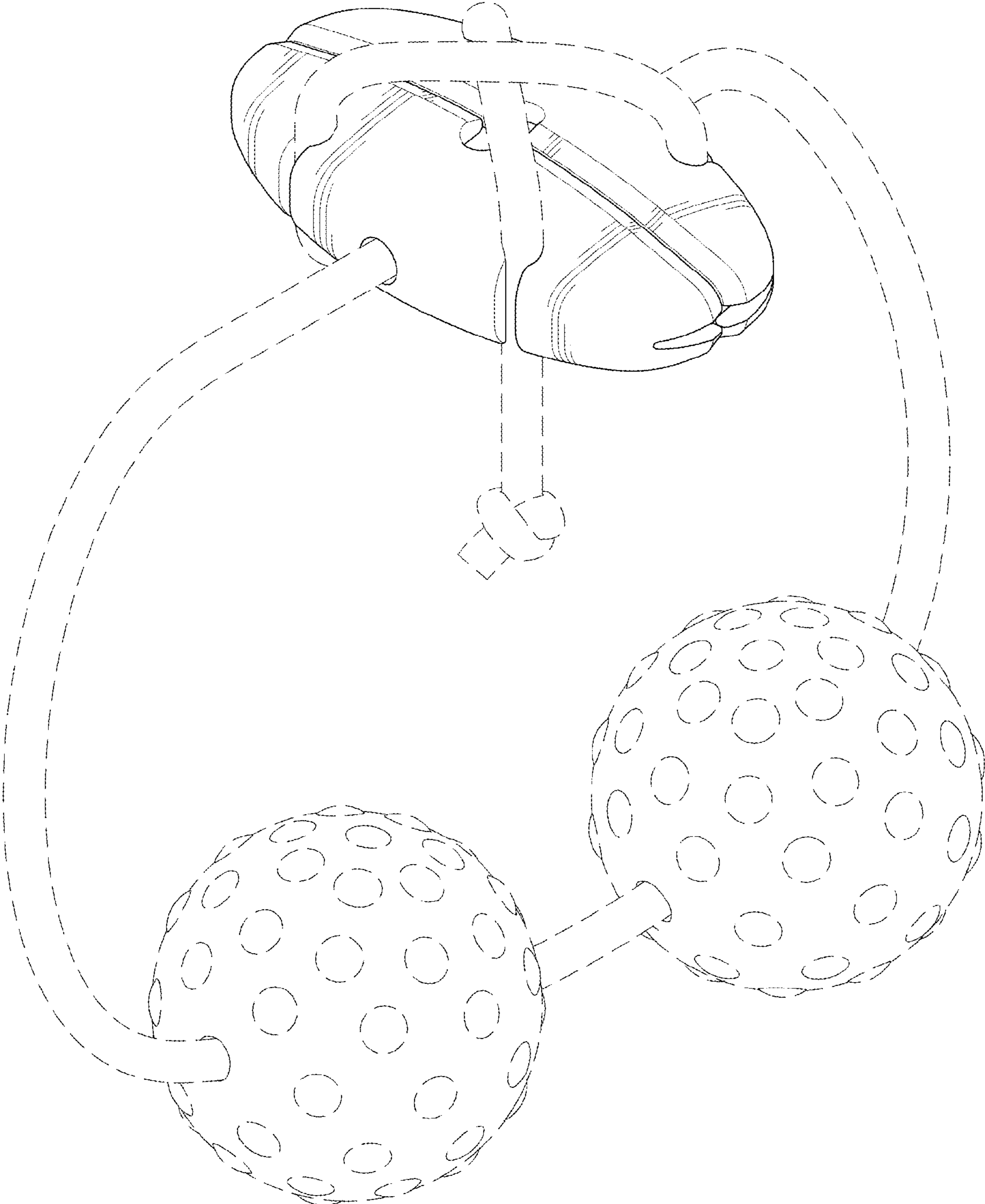


FIG. 13