

US00D950648S

(12) **United States Design Patent** (10) **Patent No.:** **US D950,648 S**
Su (45) **Date of Patent:** **** May 3, 2022**

(54) **GAMEPAD**

(71) Applicant: **Zhifa Su**, Fujian (CN)

(72) Inventor: **Zhifa Su**, Fujian (CN)

(**) Term: **15 Years**

(21) Appl. No.: **29/757,494**

(22) Filed: **Nov. 6, 2020**

(30) **Foreign Application Priority Data**

Oct. 20, 2020 (CN) 202030624681.5

(51) **LOC (13) Cl.** **21-01**

(52) **U.S. Cl.**
USPC **D21/333**

(58) **Field of Classification Search**
USPC D21/325, 326, 327, 333, 324, 328, 332,
D21/566, 329, 330, 694; D14/401, 400,
D14/454, 412, 496, 416, 418, 413, 203.3,
D14/203.5, 218, 415, 252, 414, 419, 457,
D14/203, 203.1, 203.7, 204, 217, 240,
D14/253, 333, 342, 357, 358, 388, 403,
D14/434, 455, 456, 410, 492, 258, 301,
D14/393, 432, 489
CPC G06F 1/1666; G06F 17/00; G06F 19/00;
A63F 9/24; A63F 13/00; A63F 13/23;
A63F 13/235; A63F 13/24; A63F 13/26;
A63F 13/843; A63F 13/98; A63F 13/323;
A63F 2009/2488; A63F 2009/2407; A63F
2250/52

See application file for complete search history.

(56) **References Cited**

U.S. PATENT DOCUMENTS

D432,179 S *	10/2000	Hayes	D21/333
D509,534 S *	9/2005	Suzuki	D18/50
D583,778 S *	12/2008	Ohlert	D13/174
D584,244 S *	1/2009	Ohlert	D13/174
D791,880 S *	7/2017	Chatterjee	D21/333
D816,773 S *	5/2018	Chatterjee	D21/333
D847,265 S *	4/2019	Chatterjee	D21/333
D863,447 S *	10/2019	Tsuchiya	D21/333
D866,664 S *	11/2019	Strahle	D21/333
D872,183 S *	1/2020	Chatterjee	D21/333
D885,387 S *	5/2020	Hu	D14/401
D909,485 S *	2/2021	Whitaker	D14/401
D928,883 S *	8/2021	Zhou	D21/333

* cited by examiner

Primary Examiner — Jonathan J Han

Assistant Examiner — Yuan Yuan

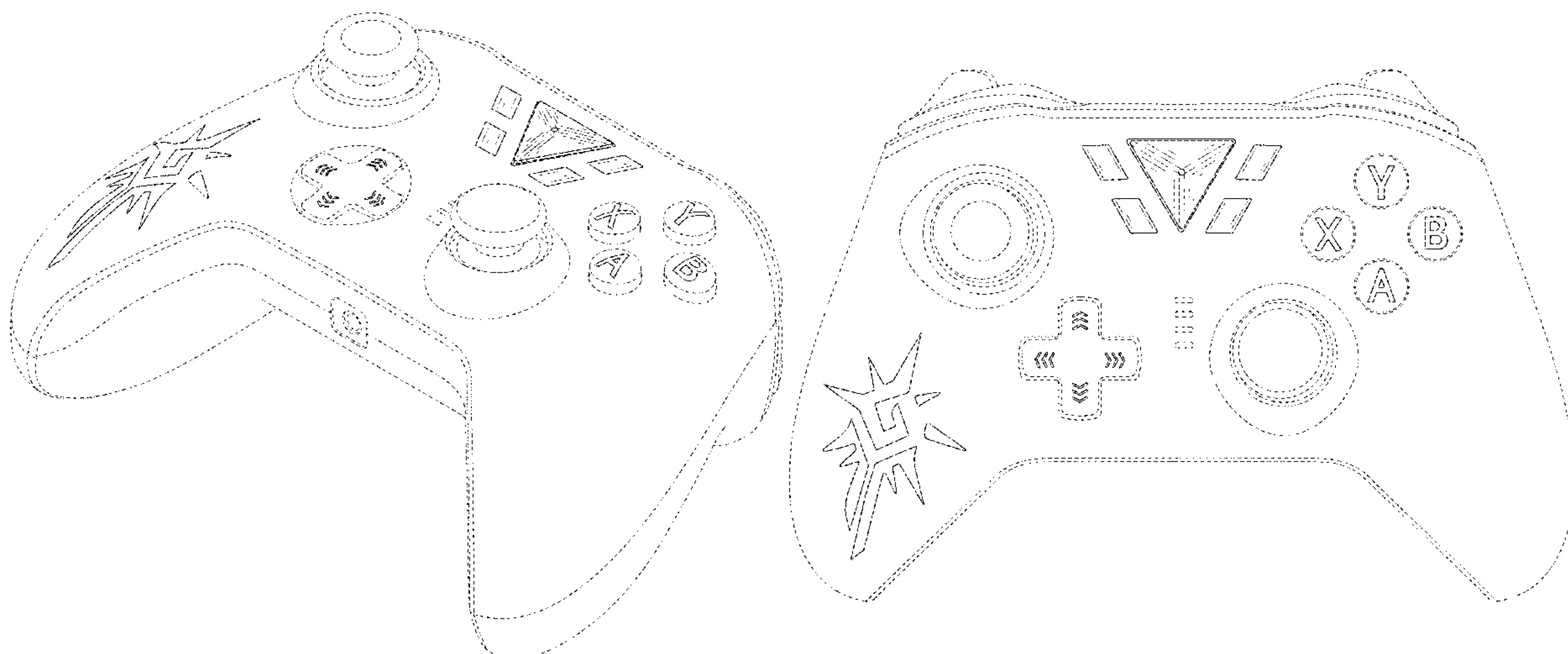
(57) **CLAIM**

The ornamental design for a gamepad, as shown and described.

DESCRIPTION

FIG. 1 is a bottom, front and right side perspective view of a gamepad showing my new design;
FIG. 2 is a front elevational view thereof;
FIG. 3 is a rear elevational view thereof;
FIG. 4 is a left side view thereof;
FIG. 5 is a right side view thereof;
FIG. 6 is a top plan view thereof; and,
FIG. 7 is a bottom plan view thereof.
The broken lines in the drawings illustrate portions of the gamepad which form no part of the claimed design.

1 Claim, 7 Drawing Sheets



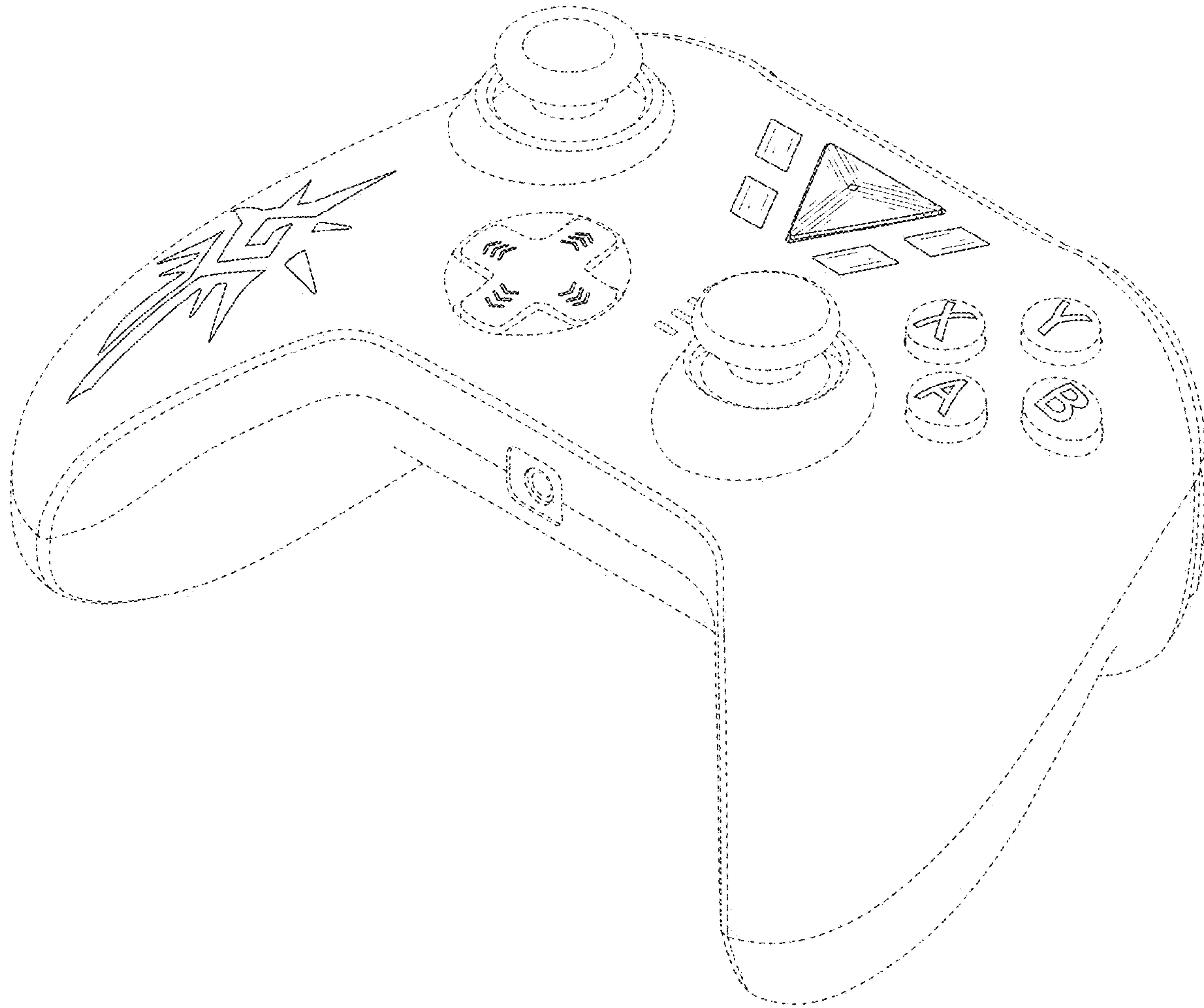


FIG. 1

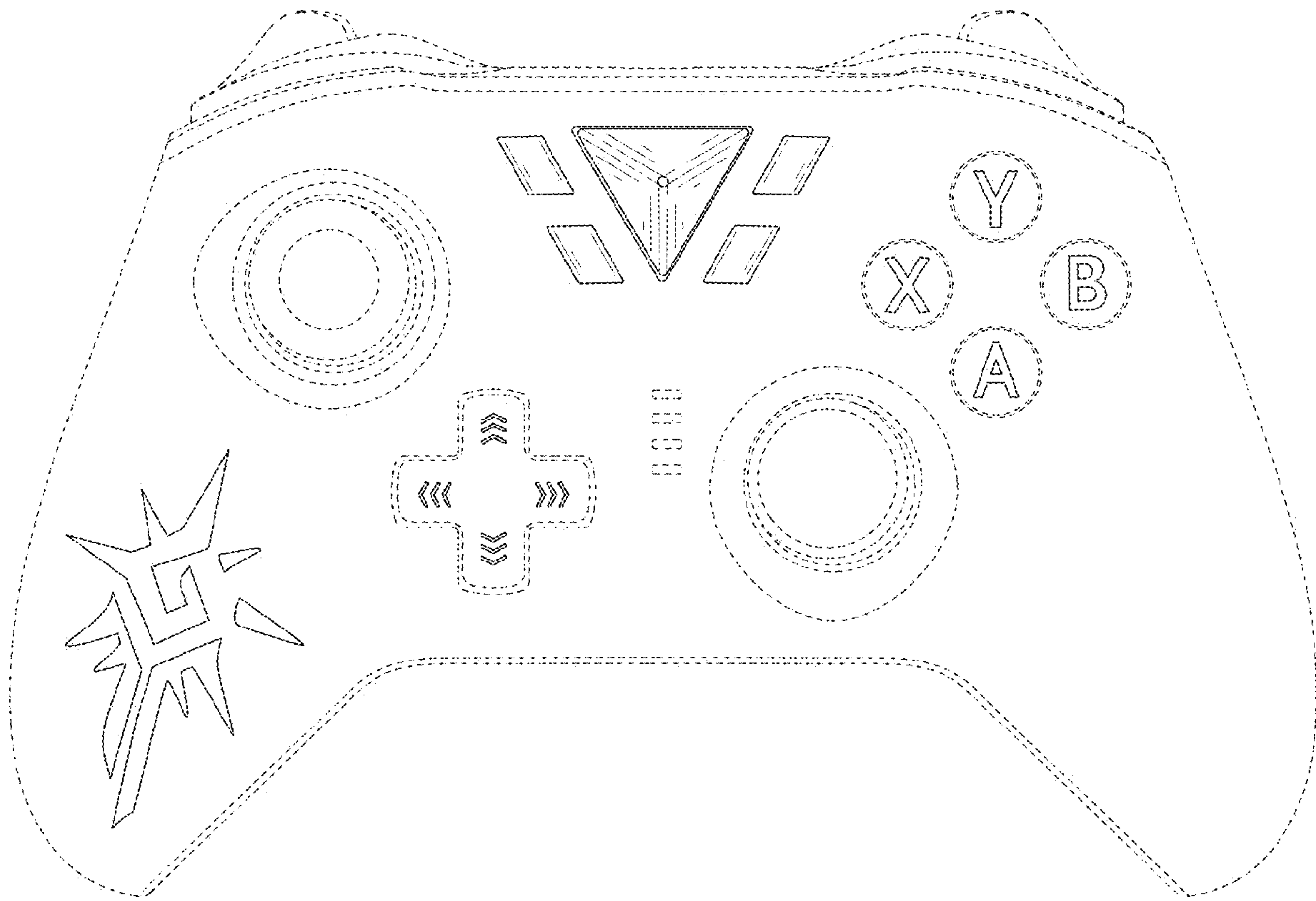


FIG. 2

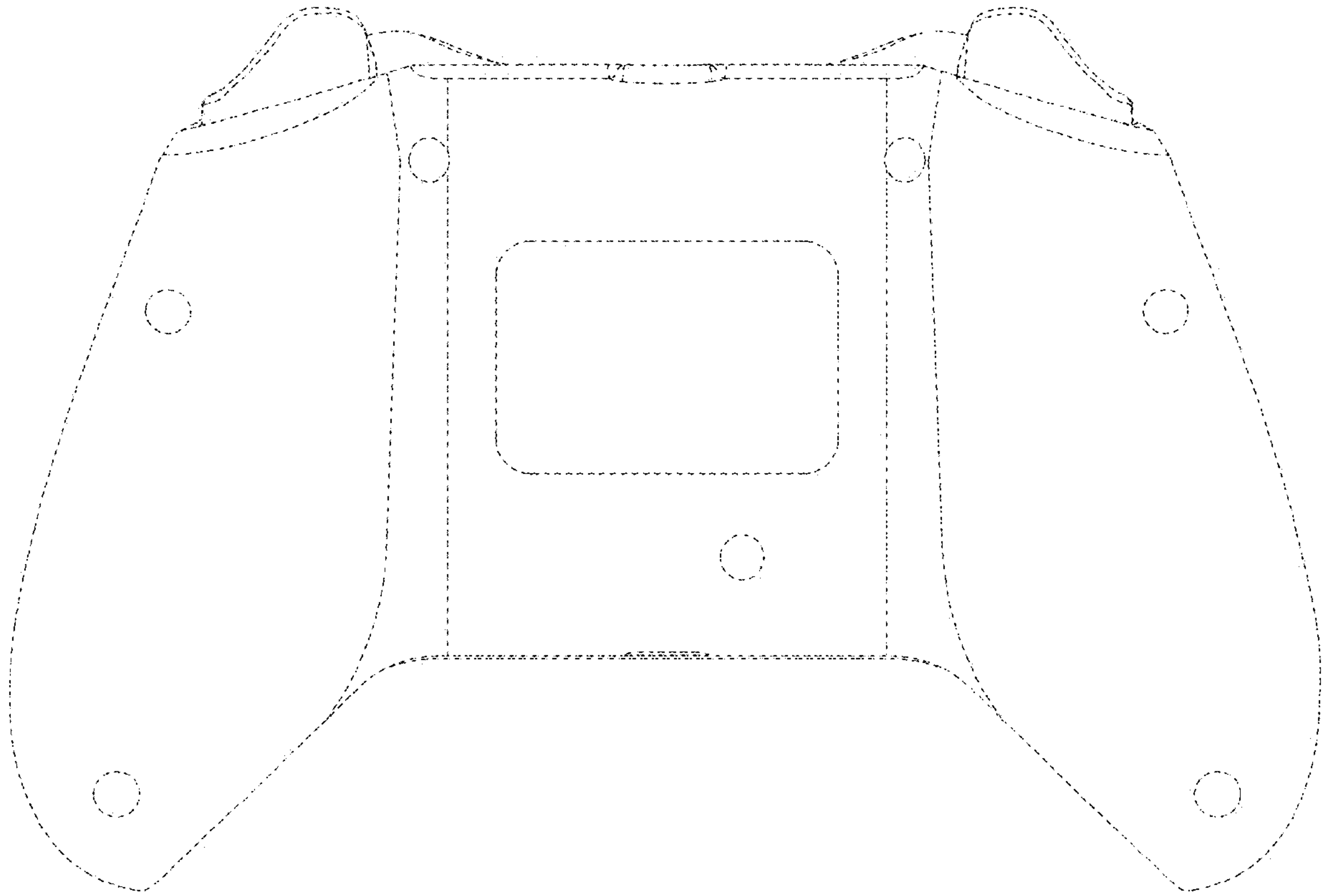


FIG. 3

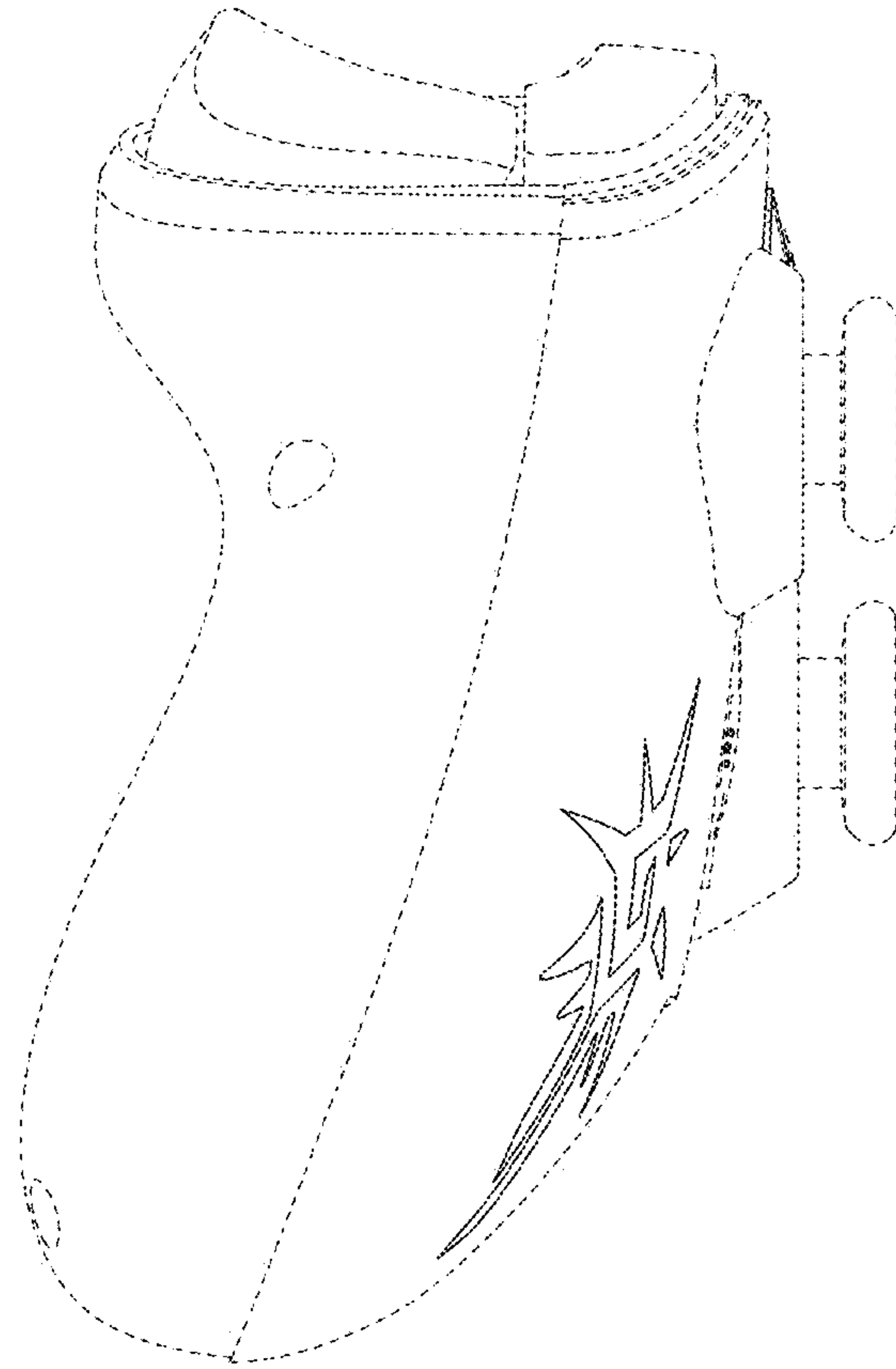


FIG. 4

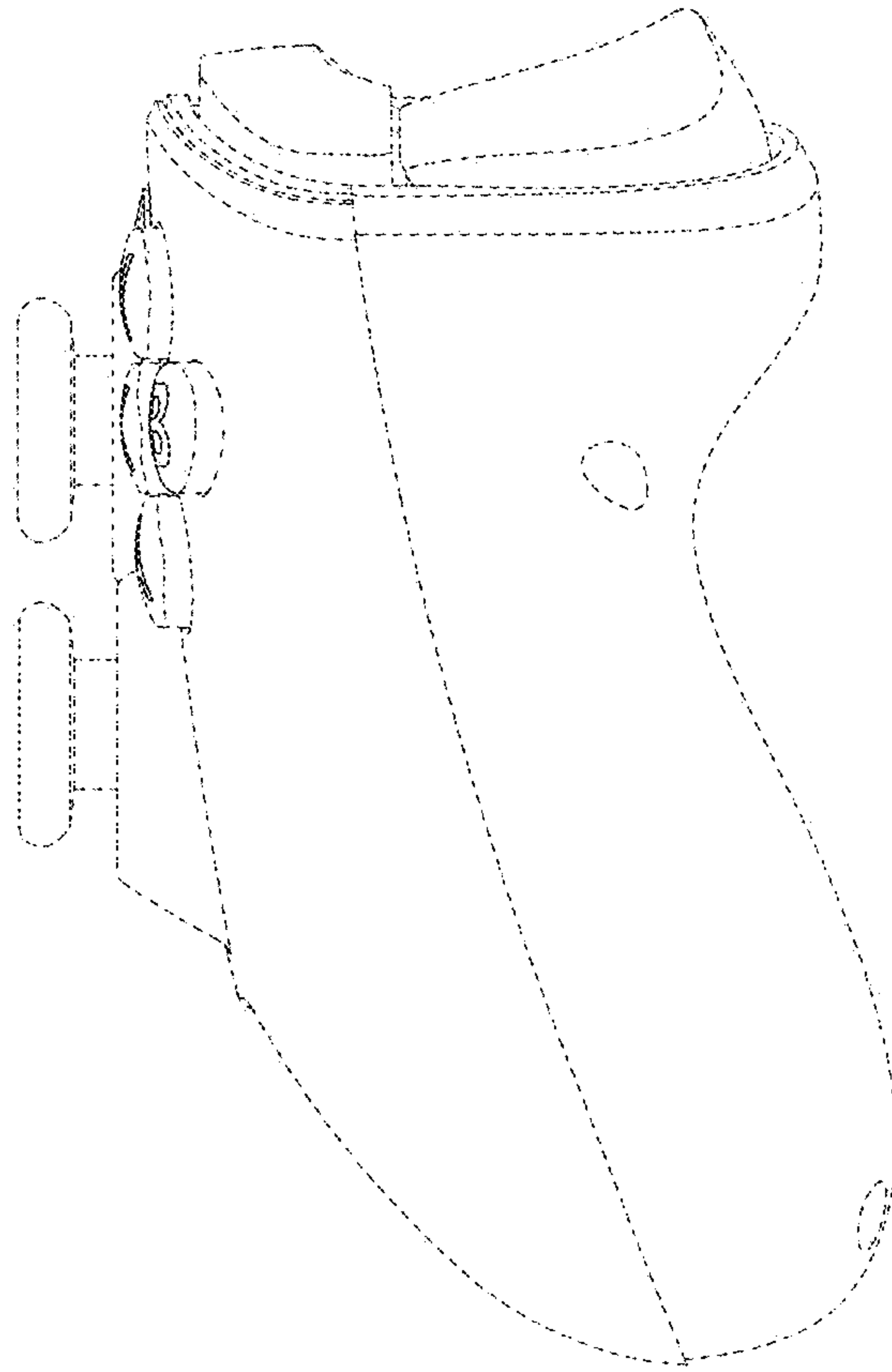


FIG. 5

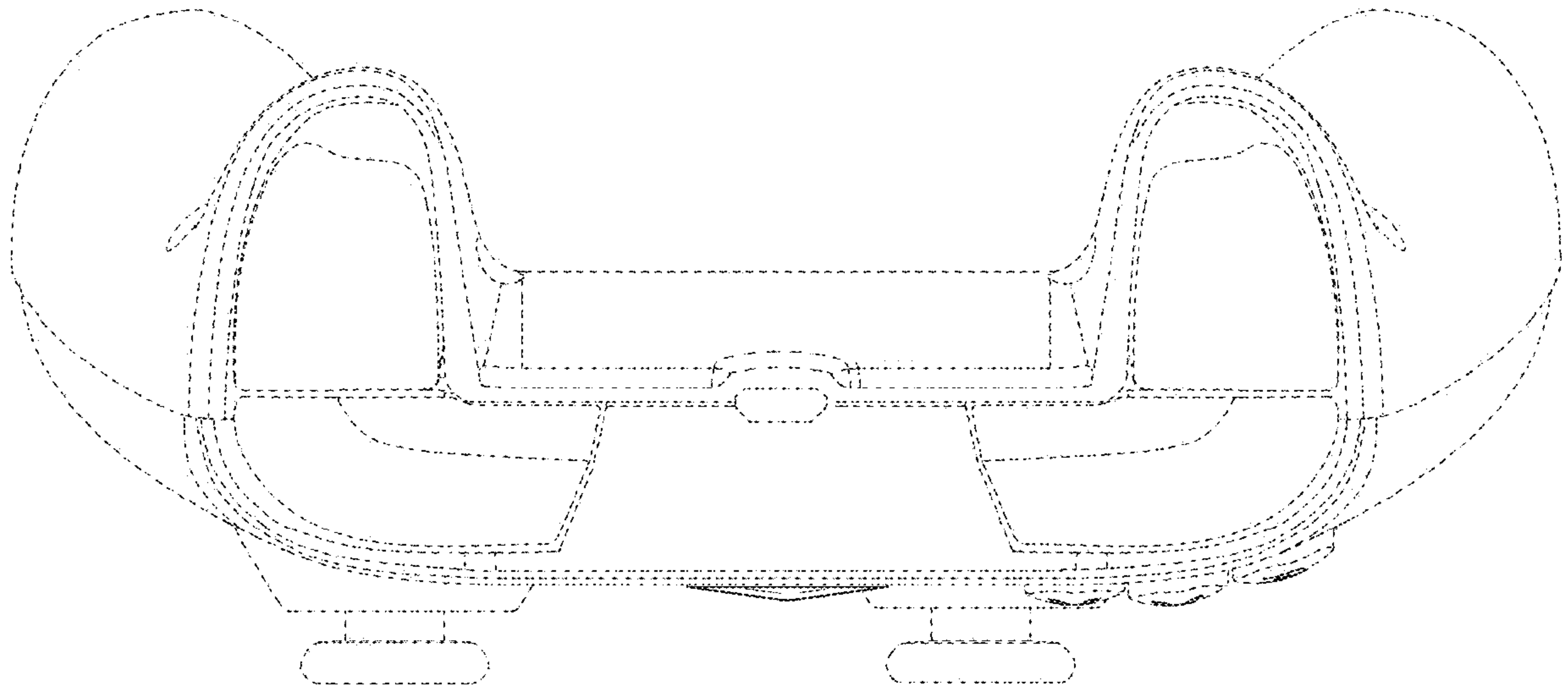


FIG. 6

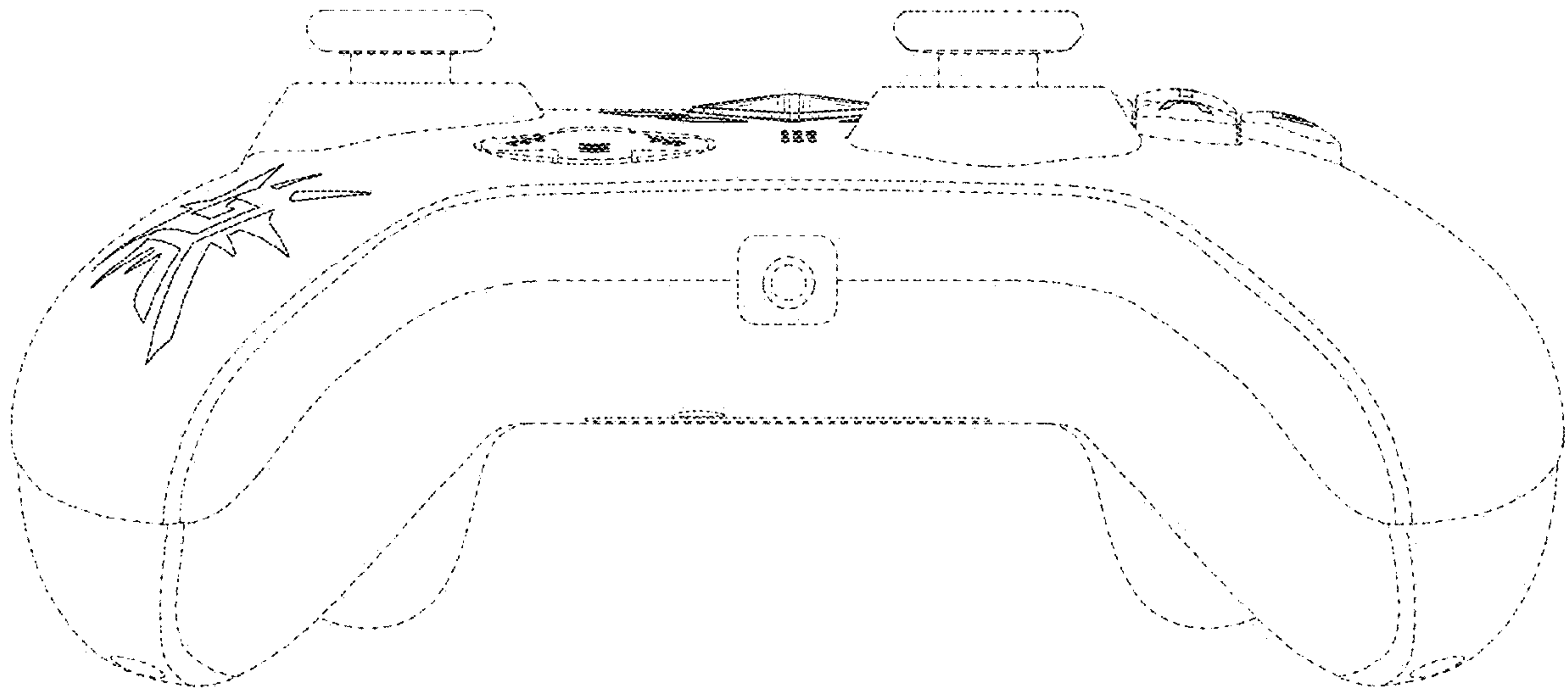


FIG. 7