



US00D950647S

(12) **United States Design Patent**
Silverman

(10) **Patent No.:** **US D950,647 S**
(45) **Date of Patent:** **** May 3, 2022**

(54) **CLIP STAND ASSEMBLY**

(71) Applicant: **Daniel Silverman**, Falls Church, VA
(US)

(72) Inventor: **Daniel Silverman**, Falls Church, VA
(US)

(**) Term: **15 Years**

(21) Appl. No.: **29/705,442**

(22) Filed: **Sep. 12, 2019**

Related U.S. Application Data

(63) Continuation-in-part of application No. 16/555,879,
filed on Aug. 29, 2019, now Pat. No. 10,867,528.

(51) **LOC (13) Cl.** **20-02**

(52) **U.S. Cl.**
USPC **D20/43**

(58) **Field of Classification Search**

USPC D6/325, 328; D8/321, 349, 354, 355,
D8/366, 371, 373, 380, 381, 400;
D10/106.9, 106.91, 106.92; D20/10,
D20/40-44, 99; D25/119
CPC .. G09F 17/00; G09F 2007/1834; G09F 15/02;
G09F 15/0075; G09F 15/0018; G09F
7/18; G09F 2007/186; G09F 7/16; G09F
2007/122; G09F 13/00; G09F 13/04;
G09F 13/06; G09F 13/18; G09F 13/22;
G09F 13/24; G09F 13/26; G09F
2013/1895; G09F 15/00; B29C 65/52;
B29C 65/56; B23P 19/00; B32B 37/02;
B32B 38/00

See application file for complete search history.

(56) **References Cited**

U.S. PATENT DOCUMENTS

1,404,863 A * 1/1922 Klenck B43K 25/024
24/11 M
4,865,285 A * 9/1989 Gaggianese B43M 99/004
248/309.4

4,944,624 A * 7/1990 Garland B43K 23/126
211/69.1
5,641,232 A * 6/1997 Frey A63B 47/04
15/104.92
6,045,281 A * 4/2000 Bunn B43K 29/00
40/334
6,247,865 B1 * 6/2001 Russell B43K 23/122
401/202
6,626,334 B2 * 9/2003 Ewing A45F 5/02
224/197
6,685,374 B1 * 2/2004 Cetera B43K 25/02
24/11 M
7,267,504 B2 * 9/2007 Brooks B43K 23/001
401/131
7,909,528 B2 * 3/2011 Brooks B43K 23/00
401/131
7,921,525 B1 * 4/2011 Lucas G06F 1/1611
24/306
10,867,528 B2 * 12/2020 Silverman G09F 3/20

* cited by examiner

Primary Examiner — Mary Ann Calabrese

Assistant Examiner — Catherine Ho

(74) *Attorney, Agent, or Firm* — Attentive Law; Paul
Ratcliffe

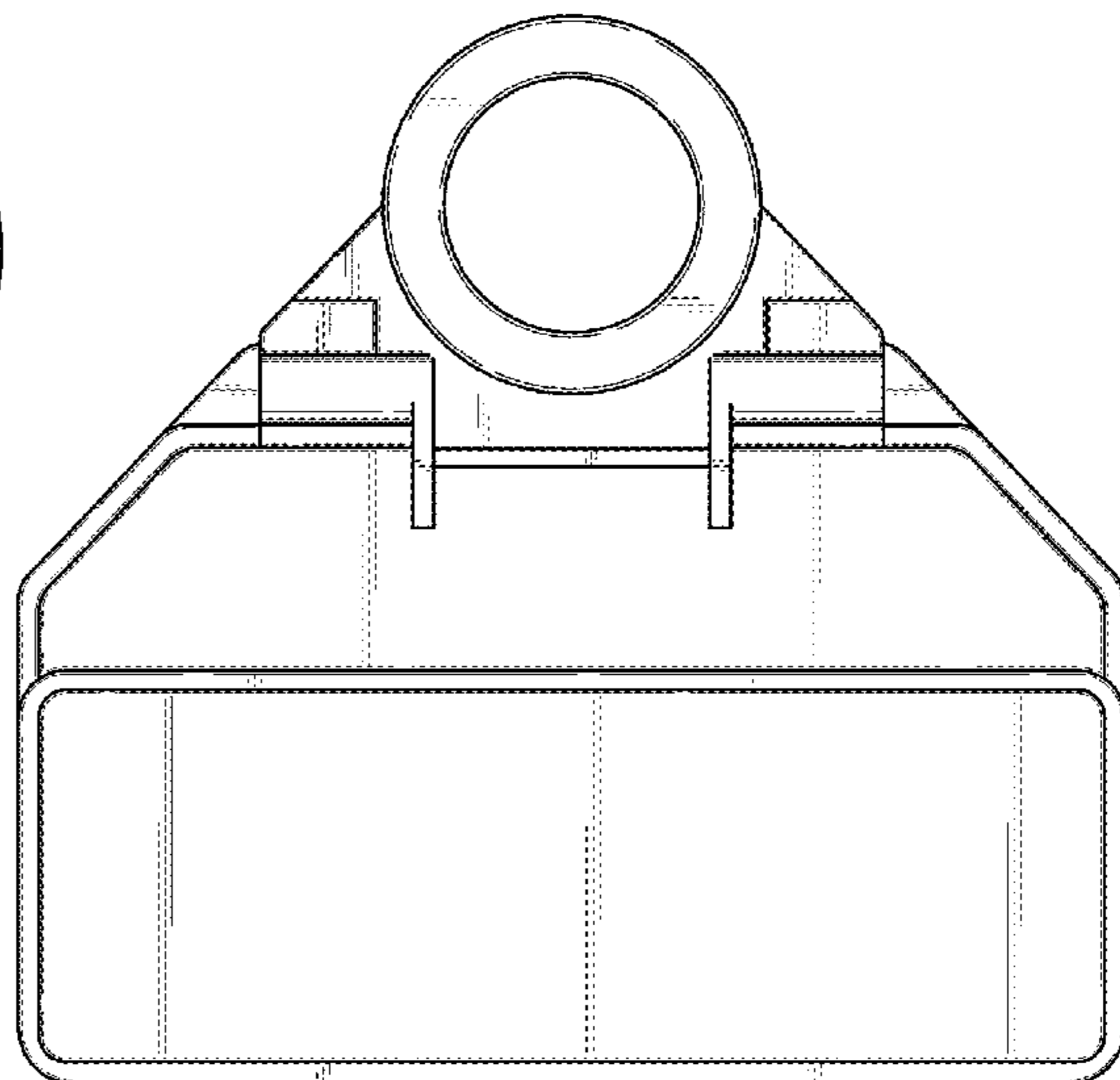
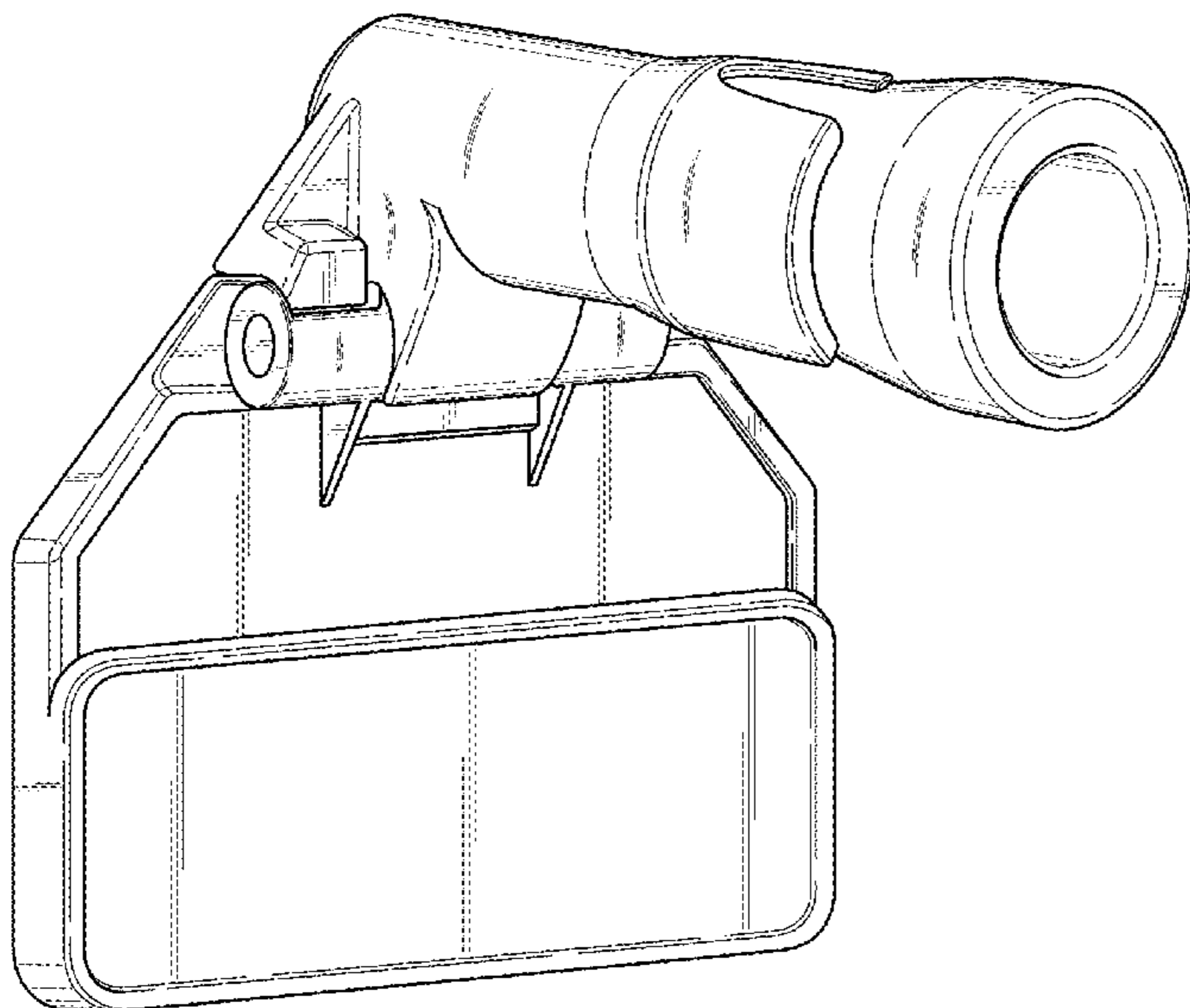
(57) **CLAIM**

I claim the ornamental design for a clip stand assembly, as
shown and described.

DESCRIPTION

FIG. 1 is a perspective view of a clip stand assembly of the
present invention;
FIG. 2 is a front plan view thereof;
FIG. 3 is back plan view thereof;
FIG. 4 is a right side elevational view thereof;
FIG. 5 is a left side elevational view thereof;
FIG. 6 is a top plan view thereof; and,
FIG. 7 is a bottom plan view thereof.

1 Claim, 7 Drawing Sheets



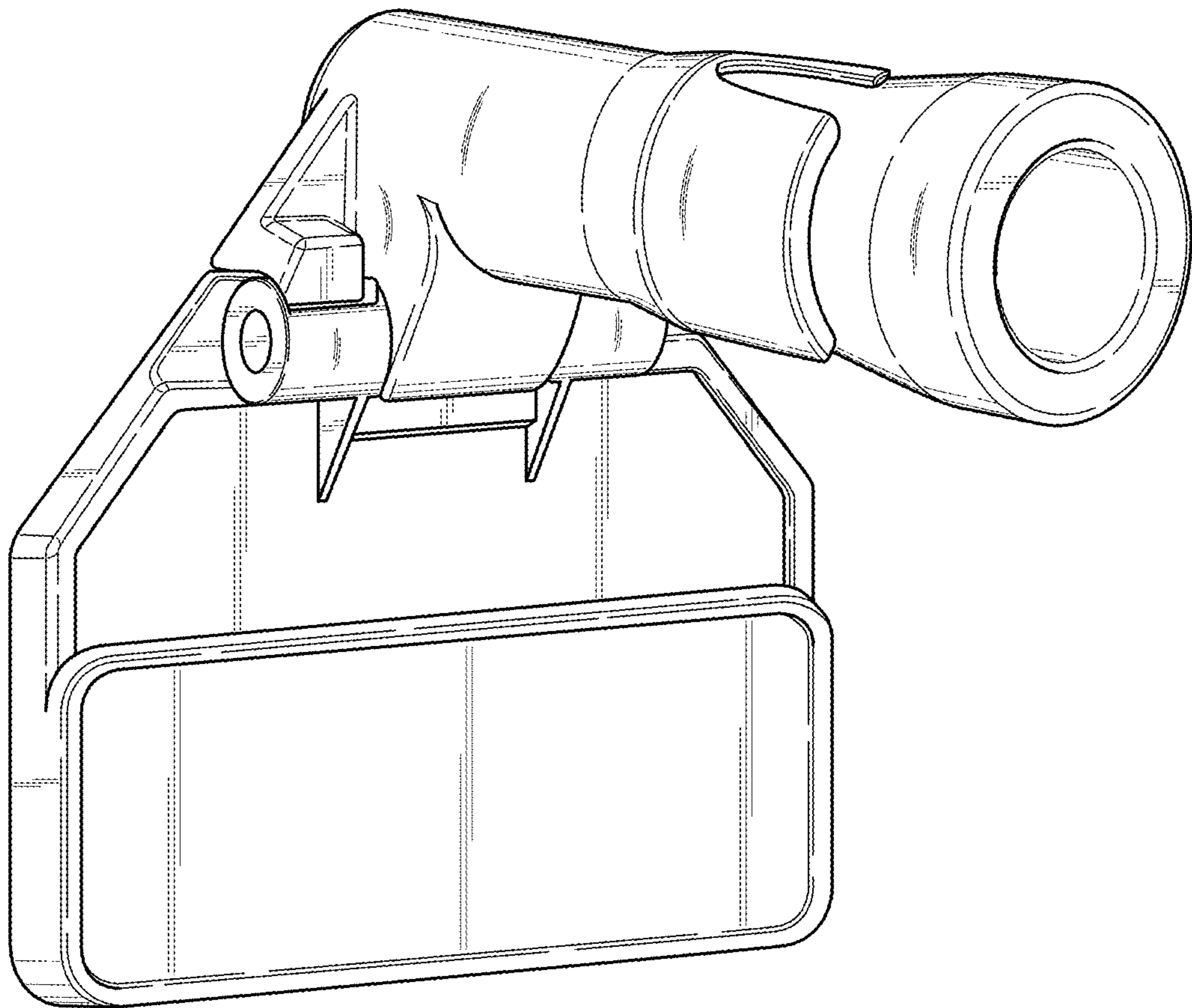


FIG. 1

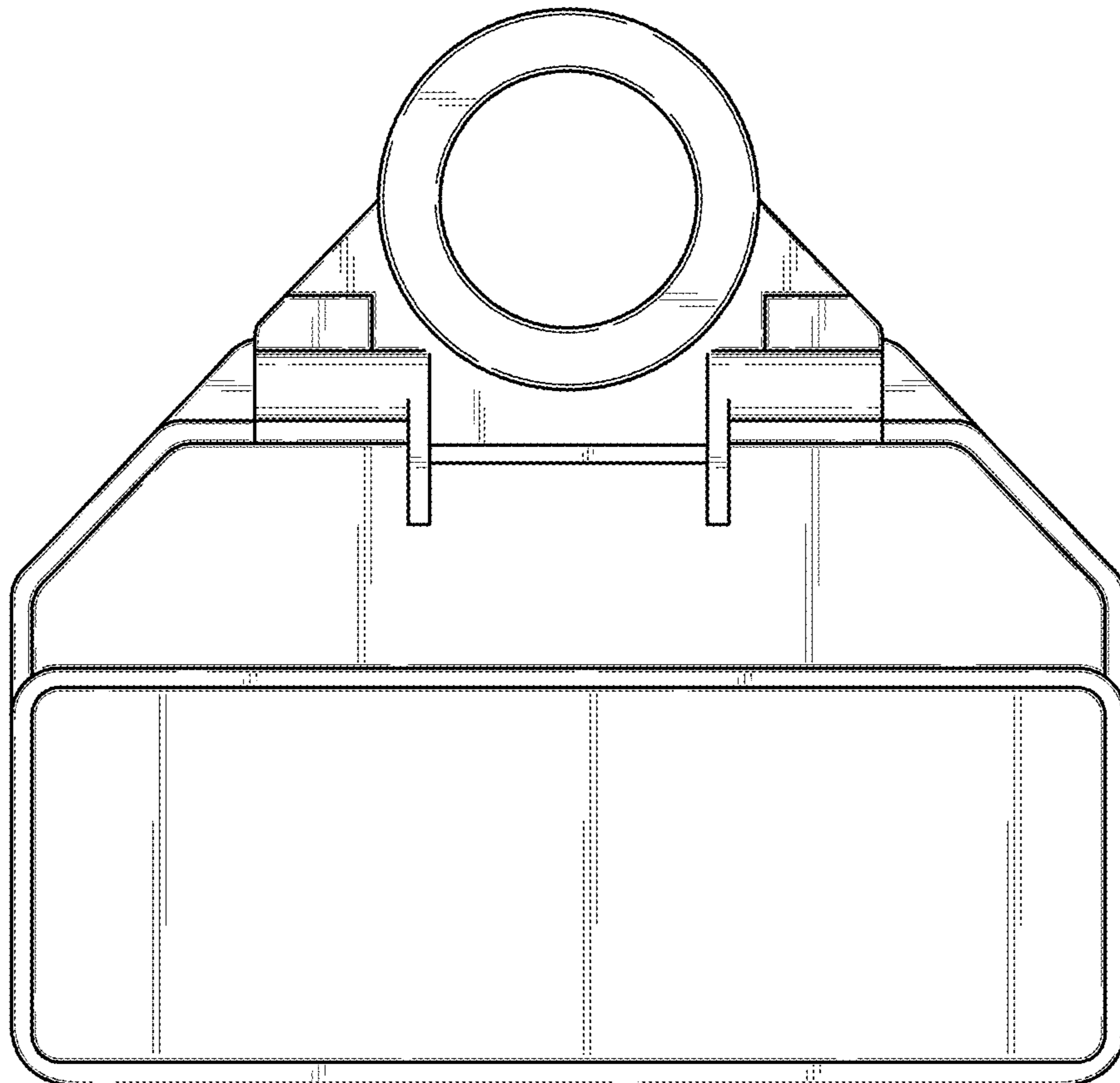


FIG. 2

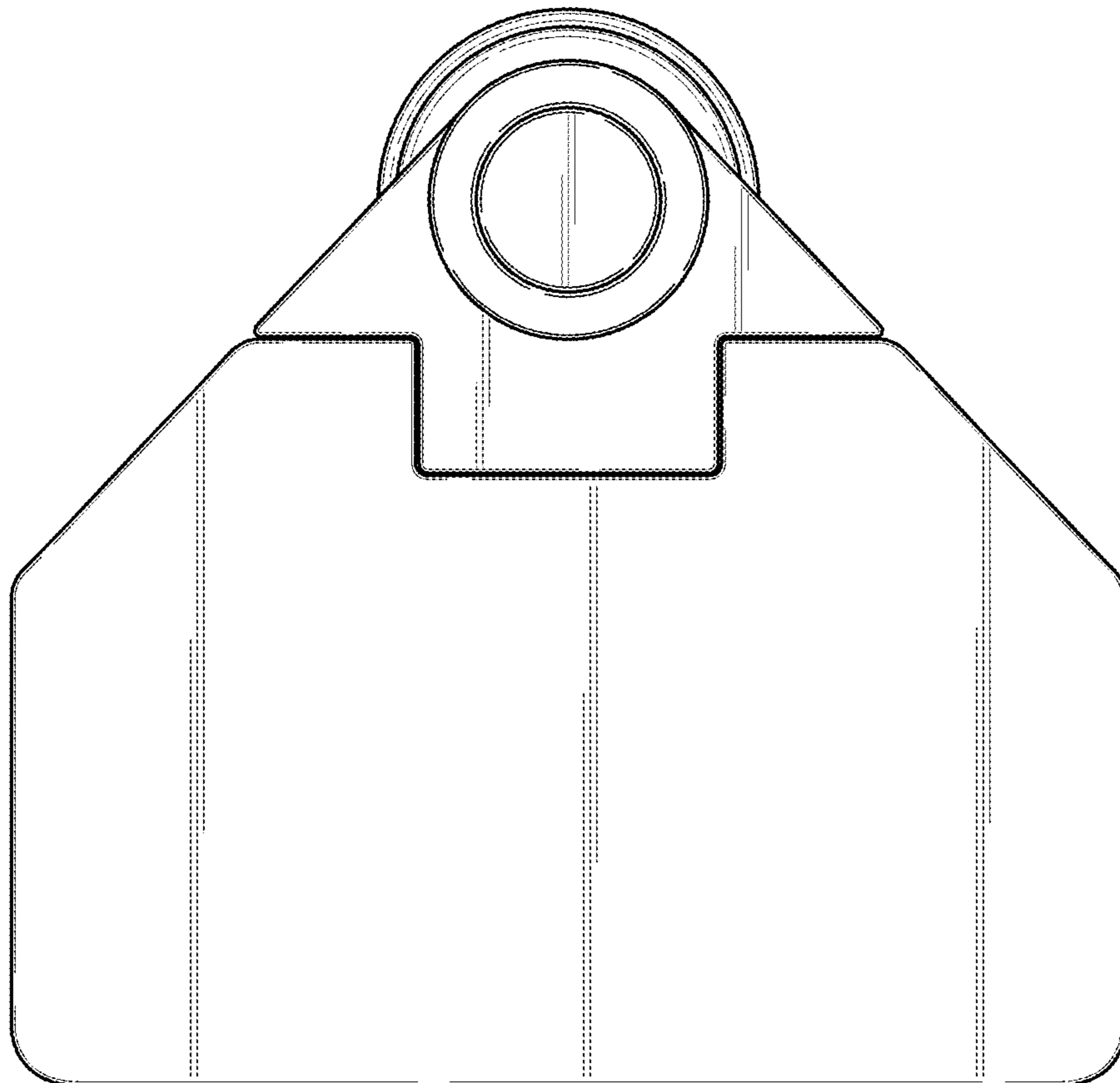


FIG. 3

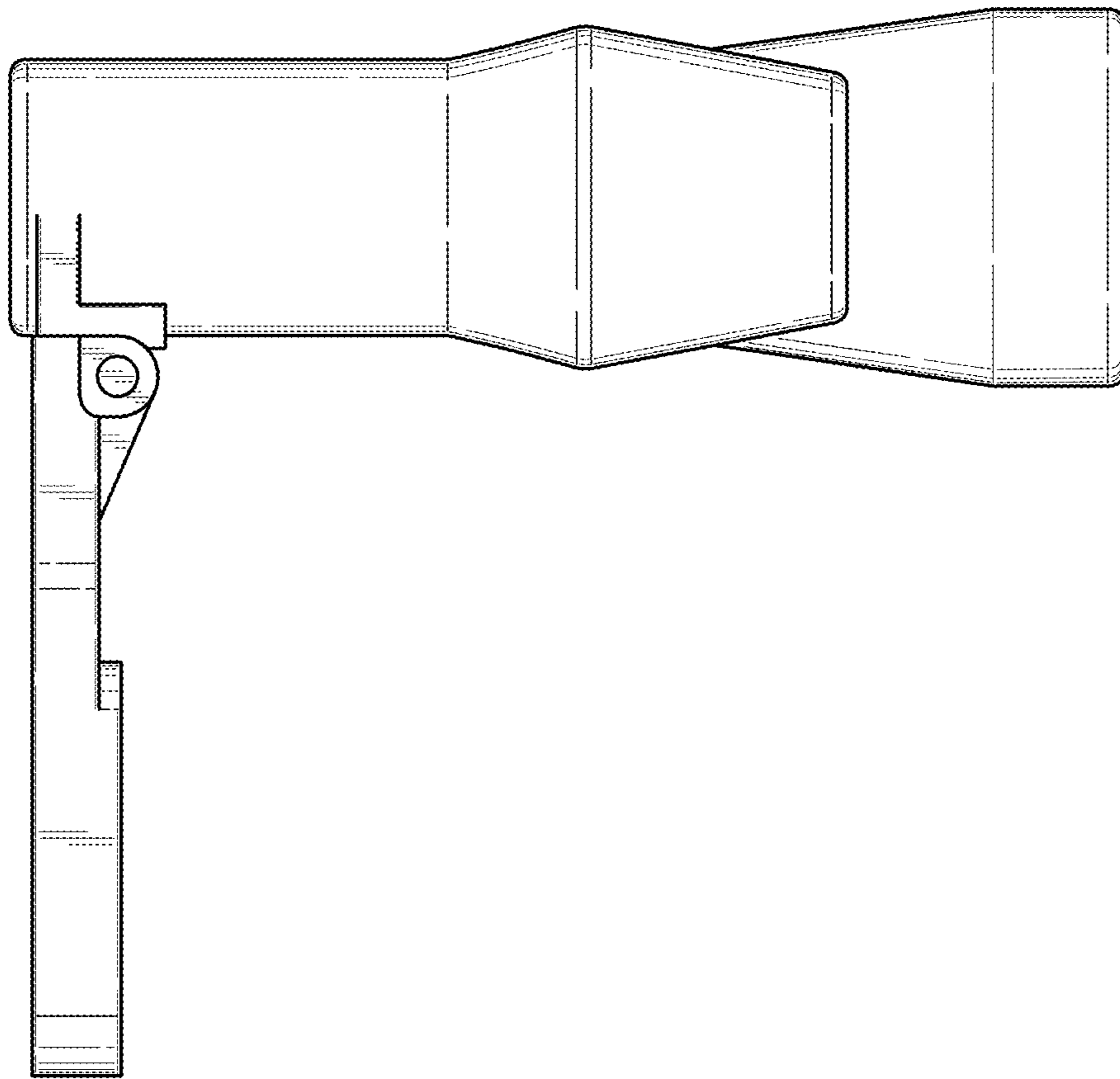


FIG. 4

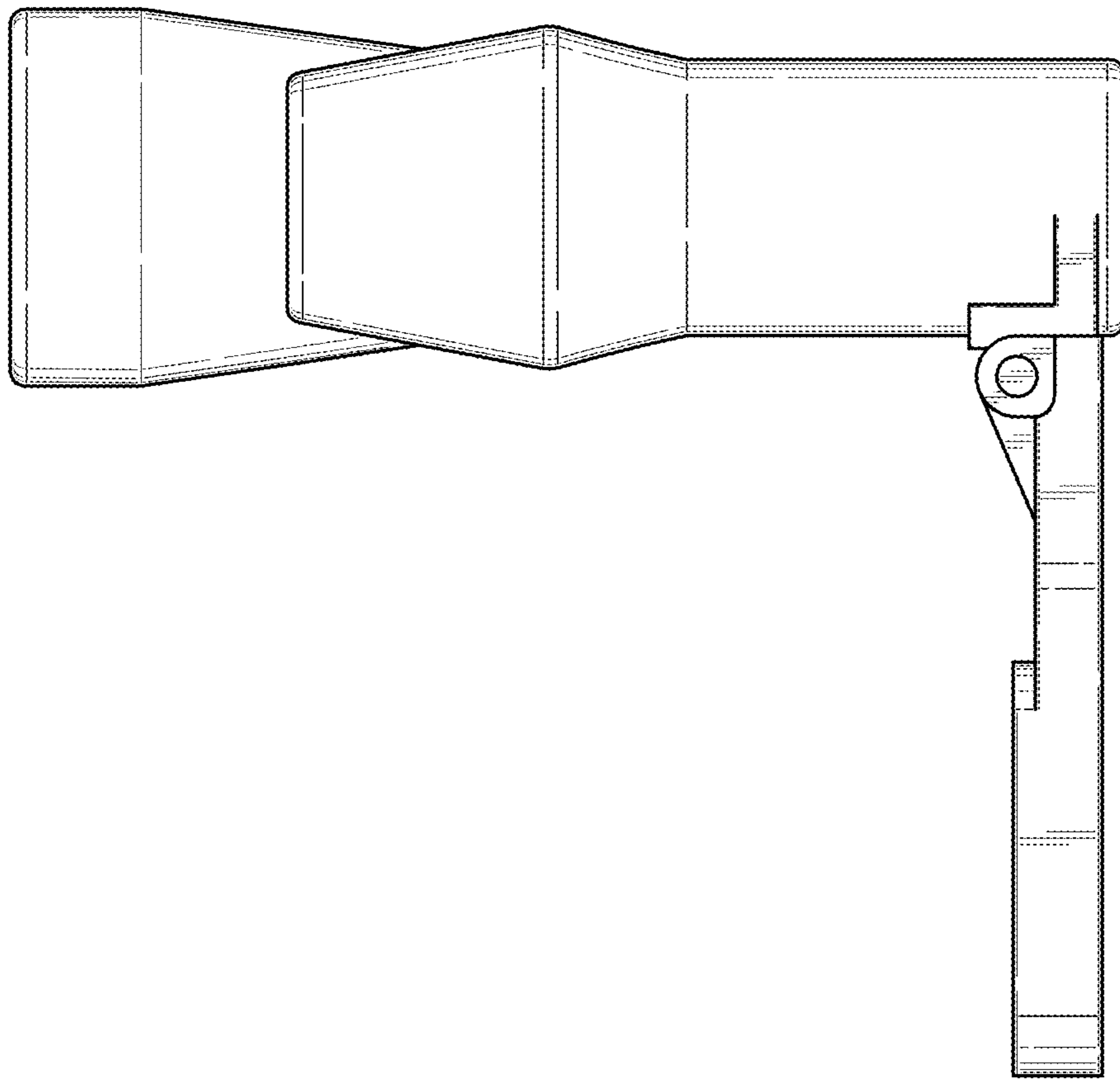


FIG. 5

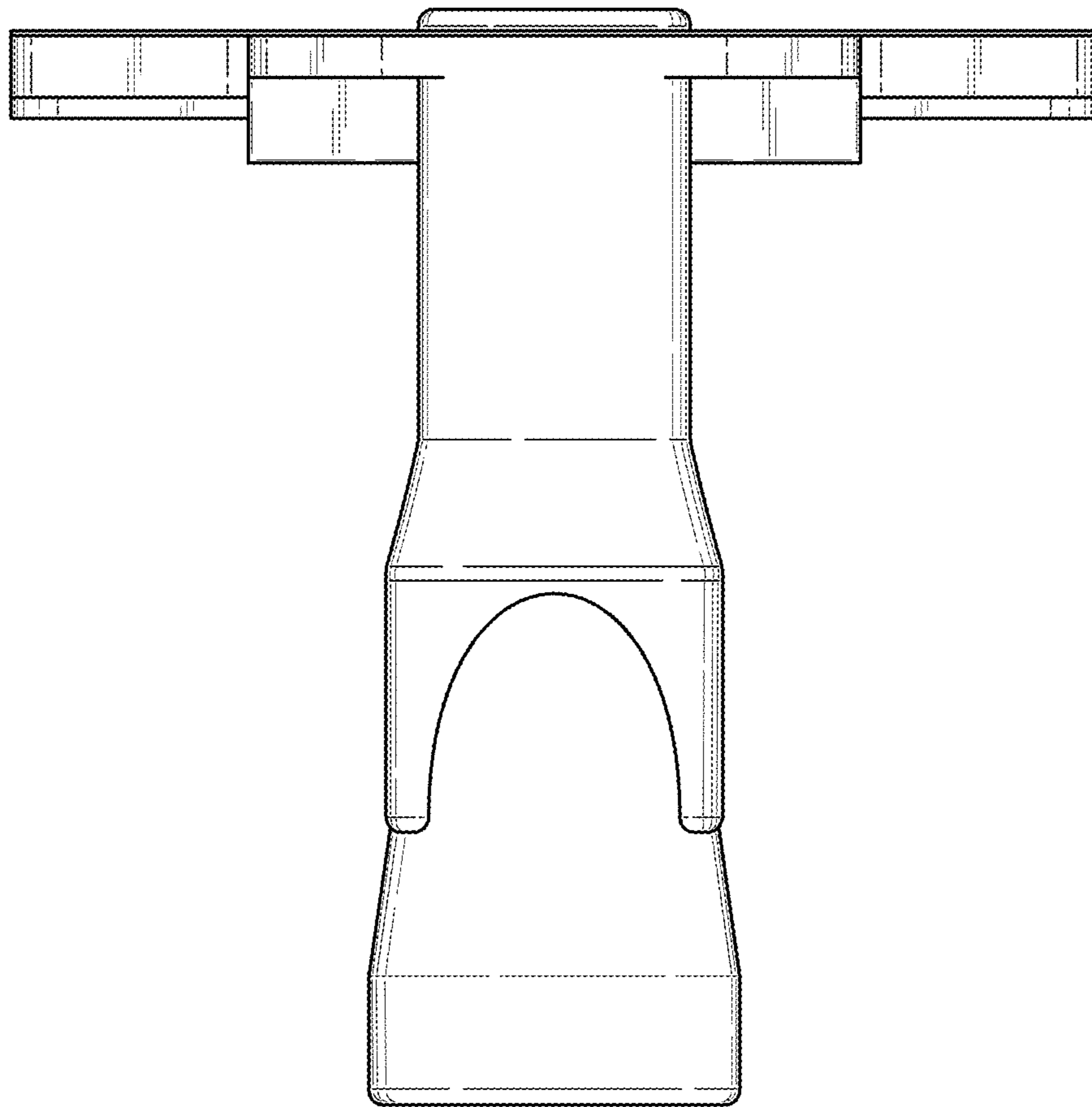


FIG. 6

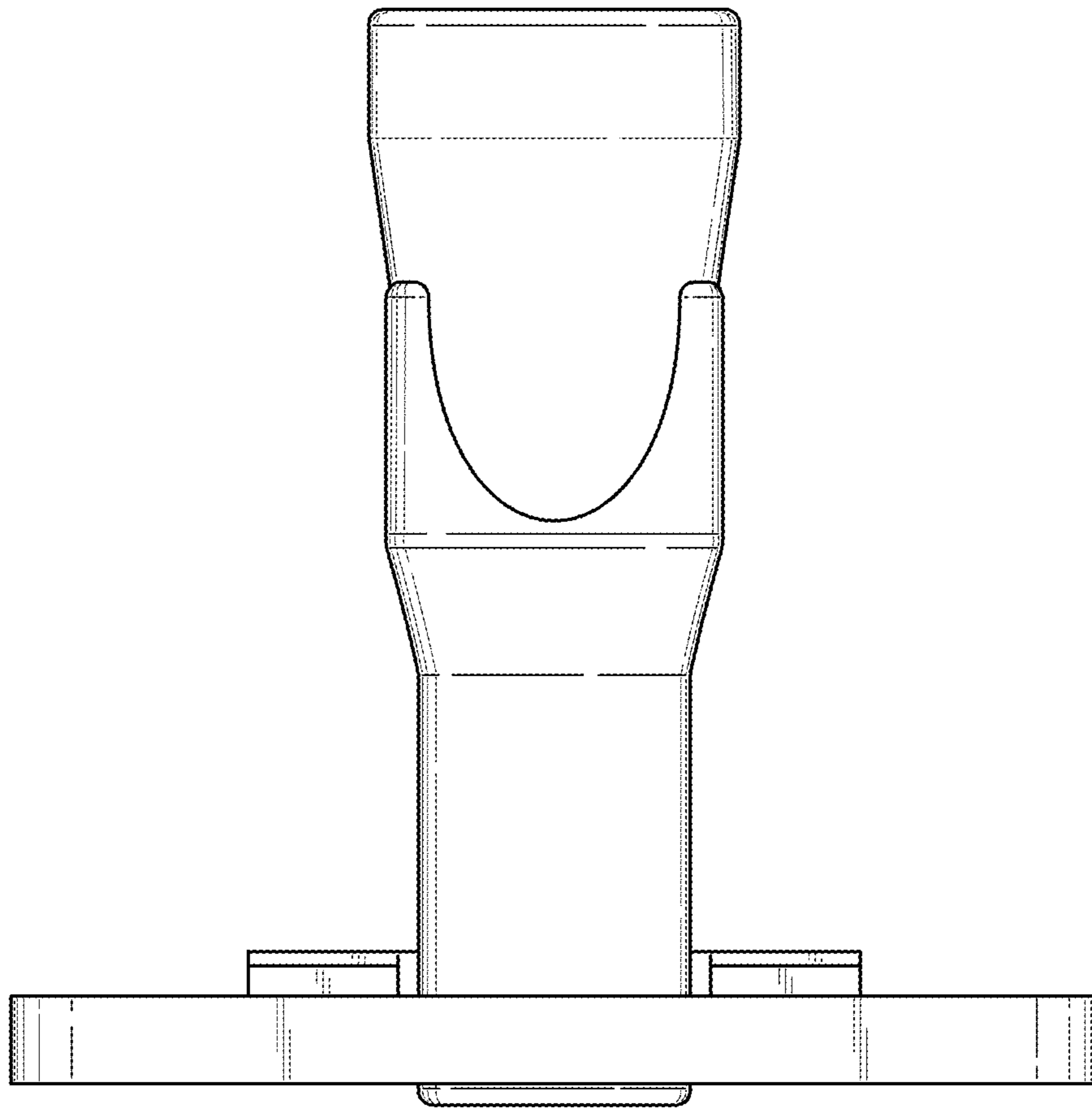


FIG. 7