



US00D950645S

(12) **United States Design Patent** (10) **Patent No.:** **US D950,645 S**
Tollefsen et al. (45) **Date of Patent:** **** *May 3, 2022**

(54) **DISPENSER**
(71) Applicant: **The Gorilla Glue Company LLC**,
Cincinnati, OH (US)
(72) Inventors: **Trond Erik Tollefsen**, London (GB);
Ryan Joseph Boudreaux, Yorktown
Heights, NY (US); **Nicholas John
Wagner**, Plano, IL (US); **Mitchell
James Wagner**, Sugar Grove, IL (US);
Ryan David Mahoney, Cincinnati, OH
(US); **Kevin Jay Gampfer**, Milford,
OH (US); **Jeremy Thomas Lacy**,
Centerville, OH (US)

D220,870 S * 6/1971 Muscatiello D9/529
D227,872 S * 7/1973 Stanley D9/773
3,938,898 A 2/1976 Reitknecht
D248,865 S 8/1978 Sussman et al.
4,748,990 A 6/1988 Brown et al.
D300,265 S 3/1989 Brown et al.
D309,716 S 8/1990 Umekawa
D338,159 S 8/1993 Densky et al.
5,323,932 A 6/1994 Bauman
D362,623 S 9/1995 Ma

(Continued)

FOREIGN PATENT DOCUMENTS

CN 203186657 U 9/2013
EP 0579906 B1 4/1993

(Continued)

(73) Assignee: **The Gorilla Glue Company LLC**,
Cincinnati, OH (US)

OTHER PUBLICATIONS

(*) Notice: This patent is subject to a terminal dis-
claimer.

Extended European Search Report dated Apr. 28, 2020, relating to
European Patent Application No. 19215430.3.

(**) Term: **15 Years**

Primary Examiner — Elizabeth A. Albert
(74) *Attorney, Agent, or Firm* — Dinsmore & Shohl LLP

(21) Appl. No.: **29/715,109**

(57) **CLAIM**

(22) Filed: **Nov. 27, 2019**

The ornamental design for a dispenser, as shown and
described.

(51) **LOC (13) Cl.** **19-02**

(52) **U.S. Cl.**
USPC **D19/66; D19/934**

DESCRIPTION

(58) **Field of Classification Search**
USPC D19/65–68, 70, 71, 115–204;
D9/723–729
CPC B65D 35/24; B65D 35/28; B05C 17/005;
B43M 11/06
See application file for complete search history.

FIG. 1 is an isometric view of a dispenser showing our new
design;
FIG. 2 is a rear view thereof;
FIG. 3 is a front view thereof;
FIG. 4 is a left side view thereof;
FIG. 5 is a right side view thereof;
FIG. 6 is a top view thereof; and,
FIG. 7 is a bottom view thereof.

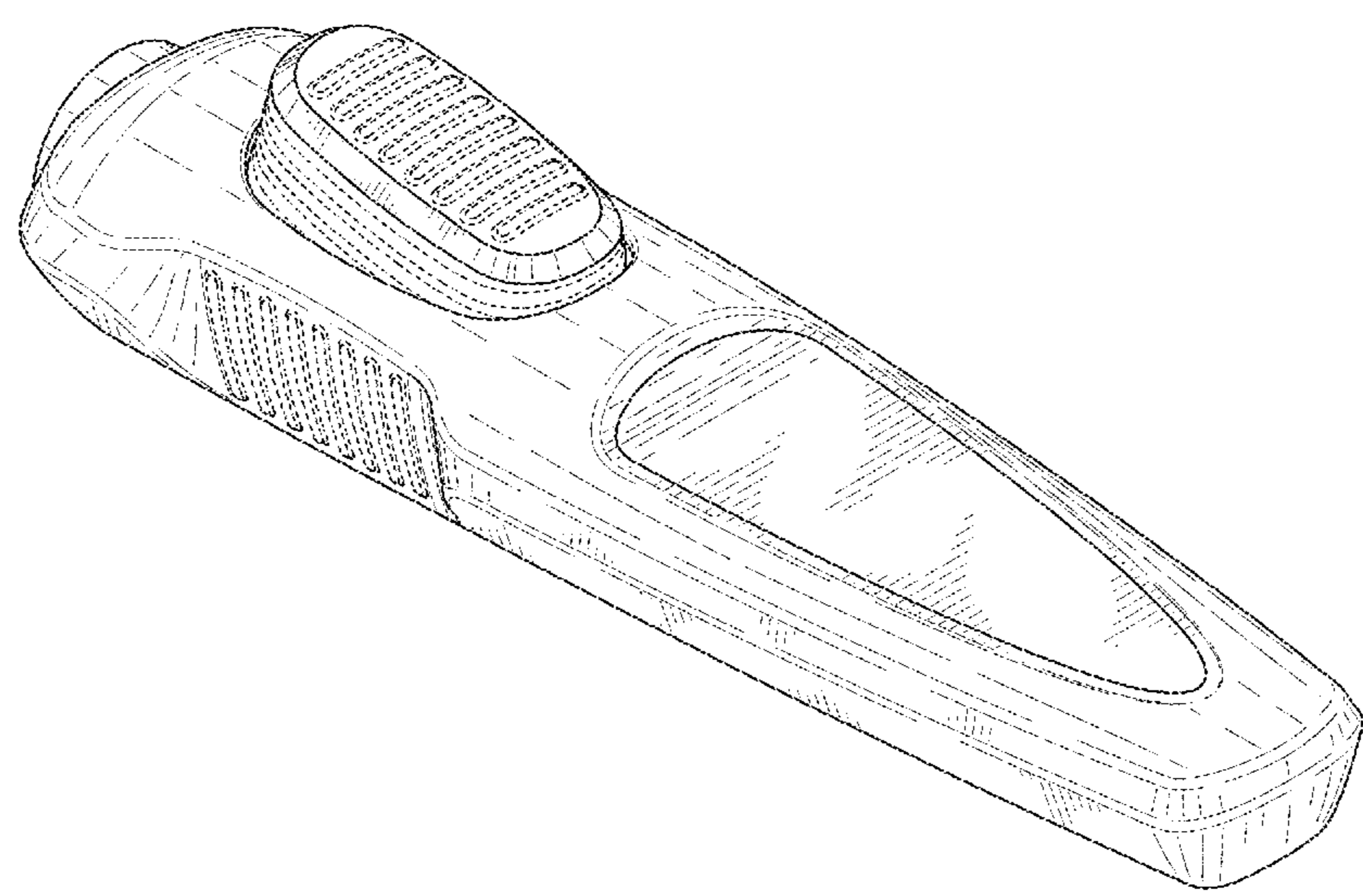
The broken lines in the drawings are included for the
purpose of illustrating environmental structure and form no
part of the claimed design.

(56) **References Cited**

U.S. PATENT DOCUMENTS

D116,240 S 8/1939 Petzold
D123,502 S 11/1940 Jung
D195,649 S 7/1963 Lindemann
D205,316 S 7/1966 Armour

1 Claim, 6 Drawing Sheets



(56)

References Cited

U.S. PATENT DOCUMENTS

5,501,370 A 3/1996 Okamura et al.
 5,505,342 A 4/1996 Okamura et al.
 D383,394 S * 9/1997 Davis D9/539
 D421,058 S 2/2000 Regan et al.
 D422,506 S * 4/2000 Cummings D9/542
 6,315,165 B1 11/2001 Regan
 D459,659 S * 7/2002 Chung D9/529
 D496,279 S 9/2004 Hama et al.
 D496,283 S * 9/2004 Busa, Jr. D9/542
 D497,107 S 10/2004 Hama et al.
 D498,670 S * 11/2004 Cummings D9/729
 D500,085 S * 12/2004 Cotter D19/66
 D526,204 S * 8/2006 Stolle D9/529
 D530,624 S * 10/2006 Cummings D9/729
 D537,730 S 3/2007 Shimizu et al.
 D538,678 S * 3/2007 Cummings D9/729
 D540,185 S * 4/2007 Cummings D9/728
 D545,904 S * 7/2007 Chen D19/66
 D555,012 S 11/2007 Yamauchi et al.
 D557,340 S 12/2007 Nagahama et al.
 D558,580 S * 1/2008 Kuzma D9/541
 D564,023 S * 3/2008 Windorski D19/134
 D642,925 S * 8/2011 Conklin D9/541
 8,056,748 B2 11/2011 Chen
 D656,027 S * 3/2012 Conklin D9/516
 D698,253 S * 1/2014 Nakagawa D9/548
 8,714,407 B2 5/2014 Frank et al.
 D714,866 S * 10/2014 Heipp D19/66

8,985,884 B2 * 3/2015 Nakamura A45D 40/26
 401/176
 9,161,604 B2 * 10/2015 Nakamura B43K 7/12
 D752,686 S * 3/2016 Billado, Jr. D19/204
 9,309,028 B2 4/2016 Kealy et al.
 D766,090 S * 9/2016 Boroski D9/550
 9,669,652 B2 6/2017 Kobayashi et al.
 D832,107 S * 10/2018 Ruthe-Steinsiek D9/521
 D865,447 S * 11/2019 Meyers D7/413
 D878,155 S * 3/2020 Peng D7/510
 D886,192 S * 6/2020 McCutchan D19/66
 D919,005 S * 5/2021 Nam D19/81
 2007/0218229 A1 9/2007 Nagahama et al.
 2017/0267413 A1 9/2017 Qian
 2019/0001368 A1 * 1/2019 Rushe B65D 83/0055
 2021/0155380 A1 * 5/2021 Tollefsen B65D 35/28

FOREIGN PATENT DOCUMENTS

EP 0521200 A2 7/1993
 EP 0639510 A2 7/1994
 EP 1091884 B1 6/1999
 EP 2490956 B1 8/2014
 EP 2576373 A4 12/2014
 JP 2003020078 A 1/2003
 JP 2003226374 A 8/2003
 JP 2004182249 A 7/2004
 JP 5212579 B1 6/2013
 WO 2007113244 A1 10/2007
 WO 2013118582 A1 8/2013
 WO 2016090811 A1 6/2016
 WO 2017178487 A1 10/2017

* cited by examiner

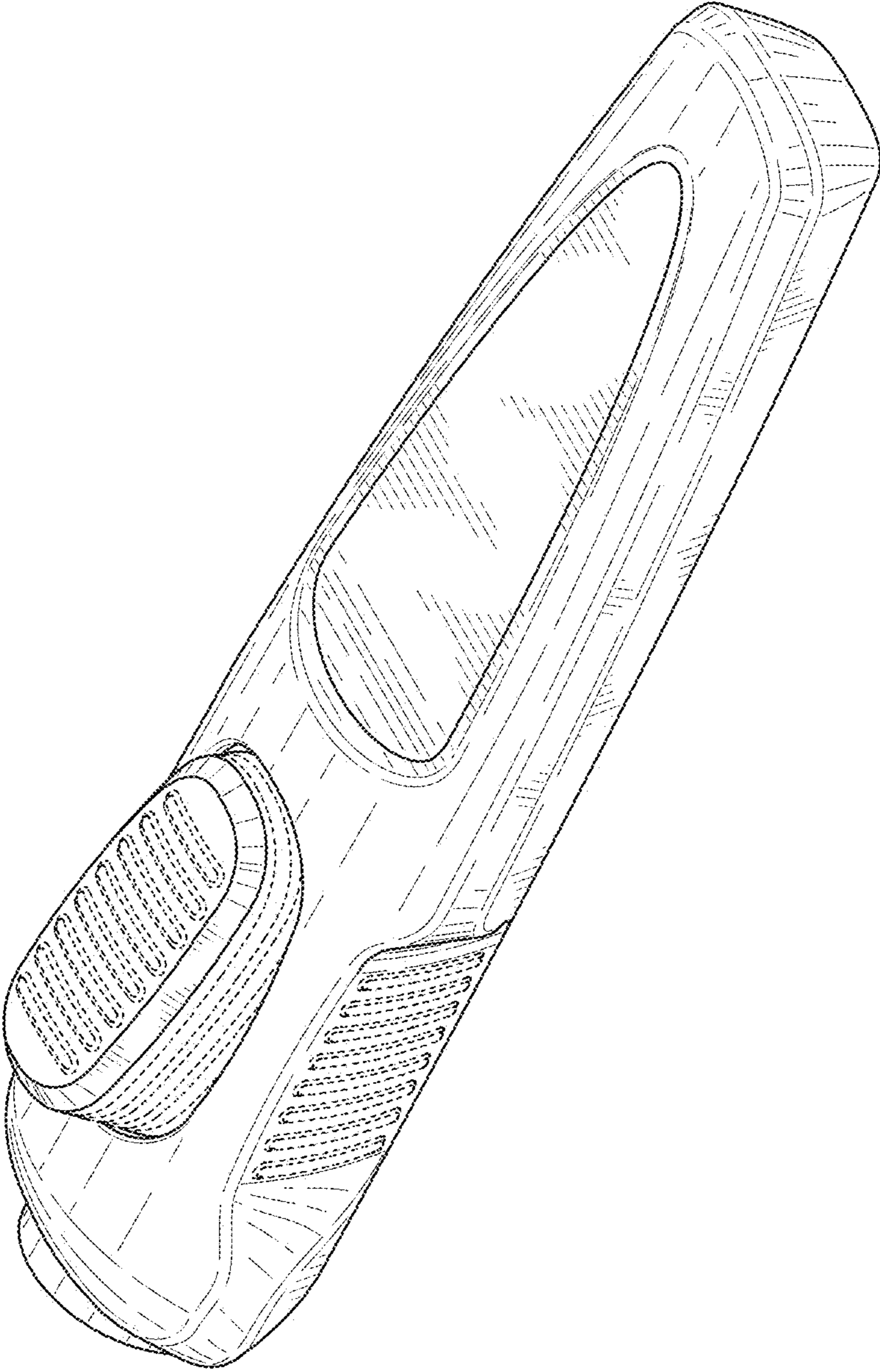


FIG. 1

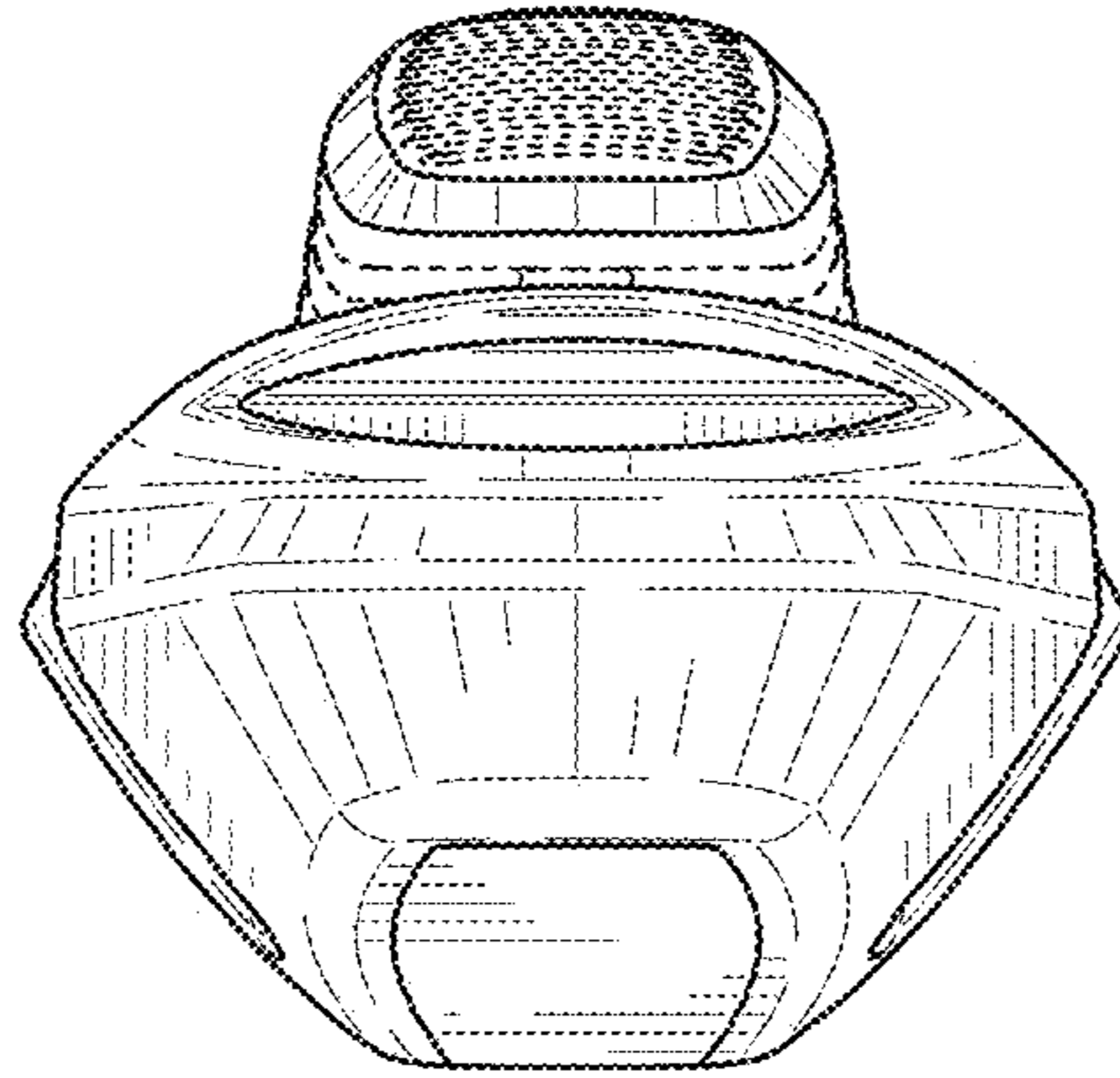


FIG. 2

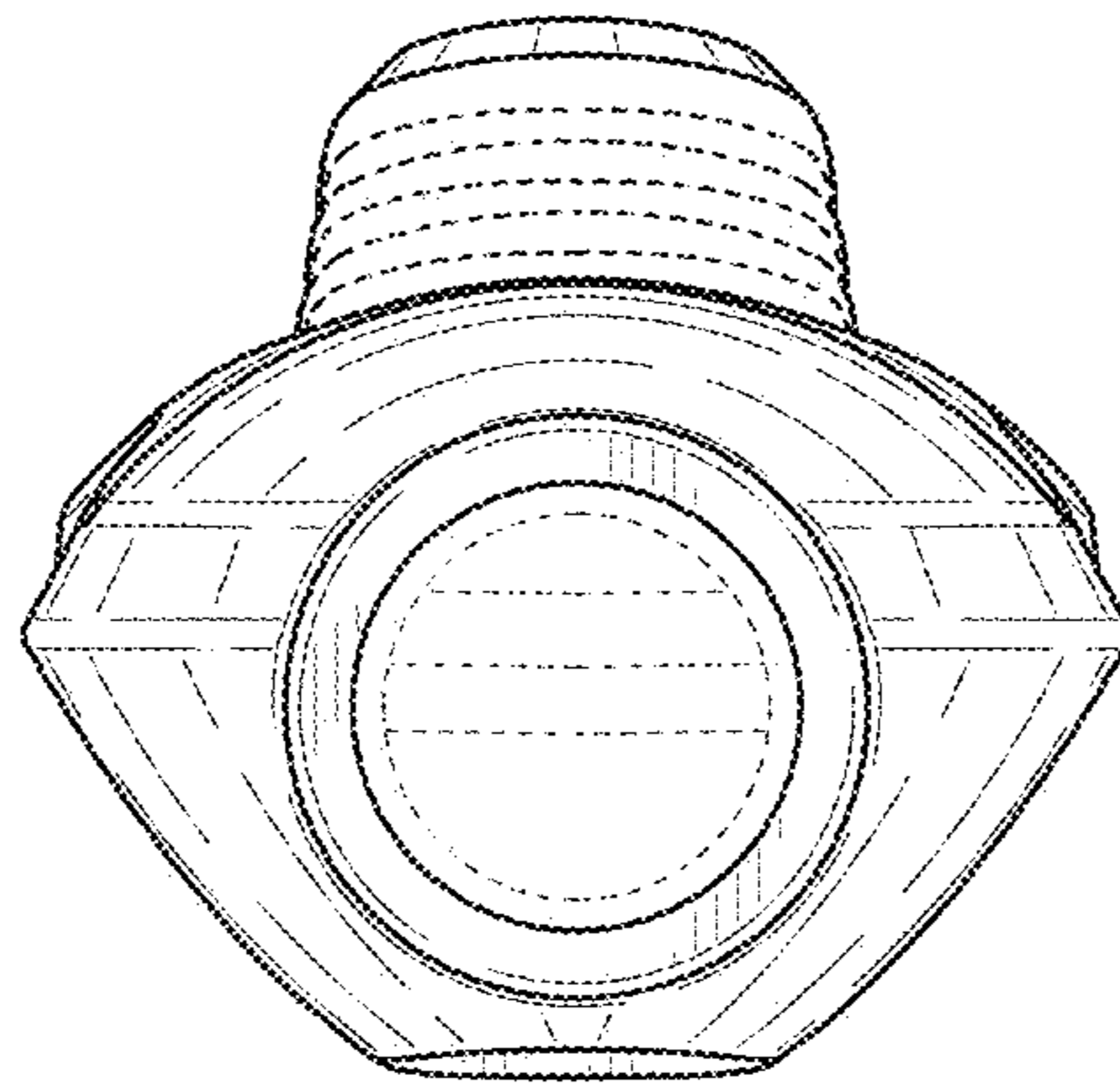


FIG. 3

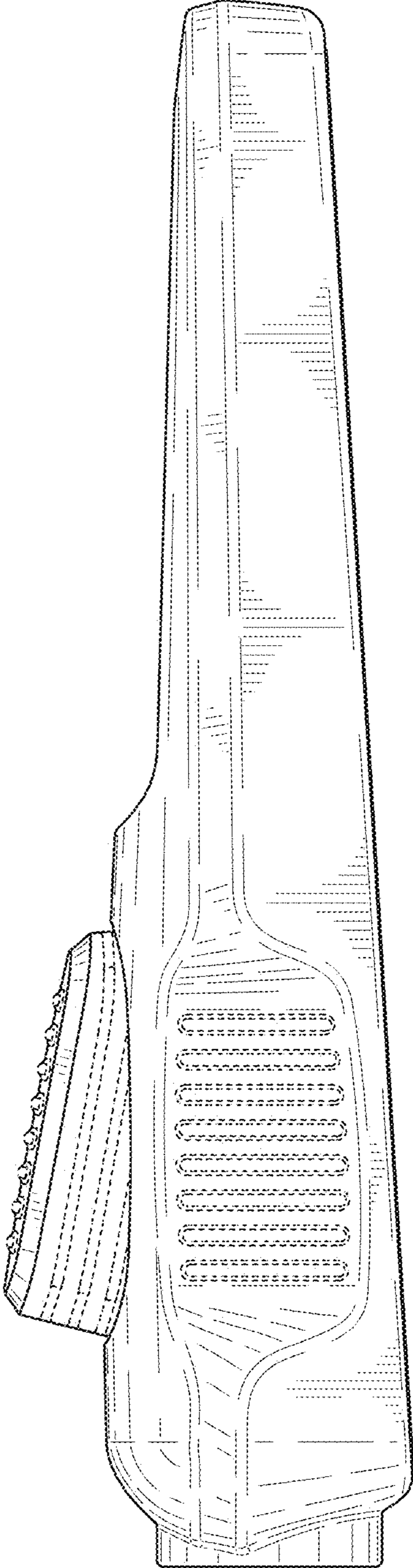


FIG. 4

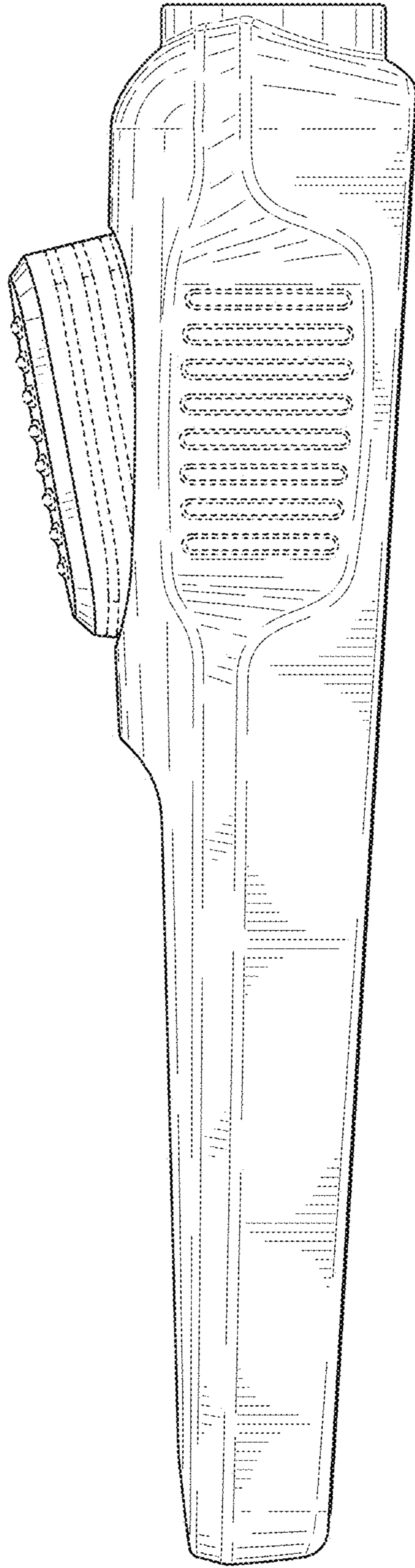


FIG. 5

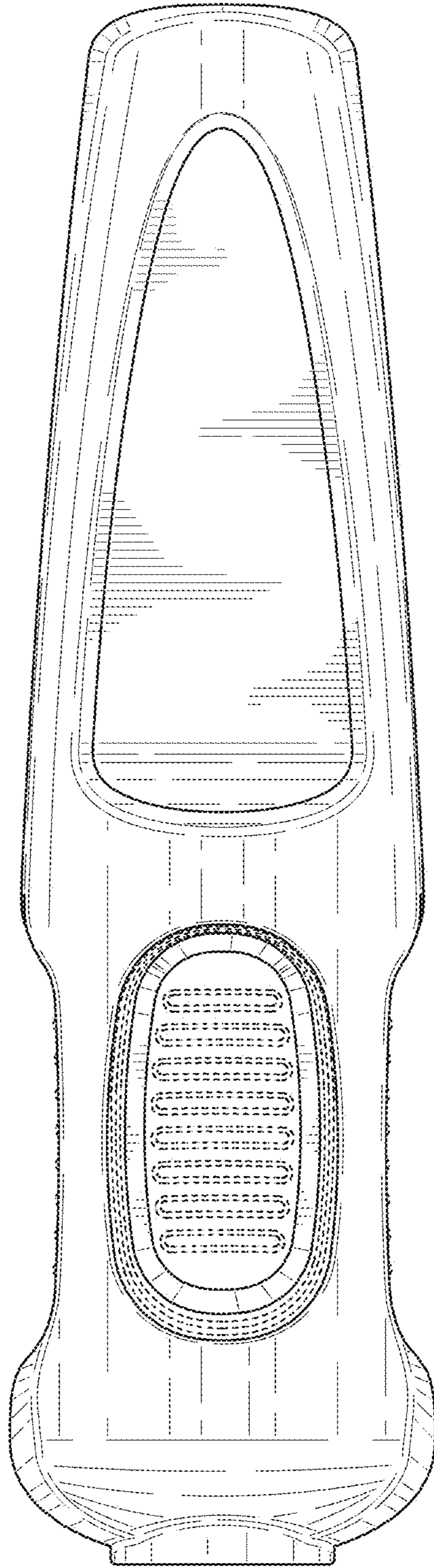


FIG. 6

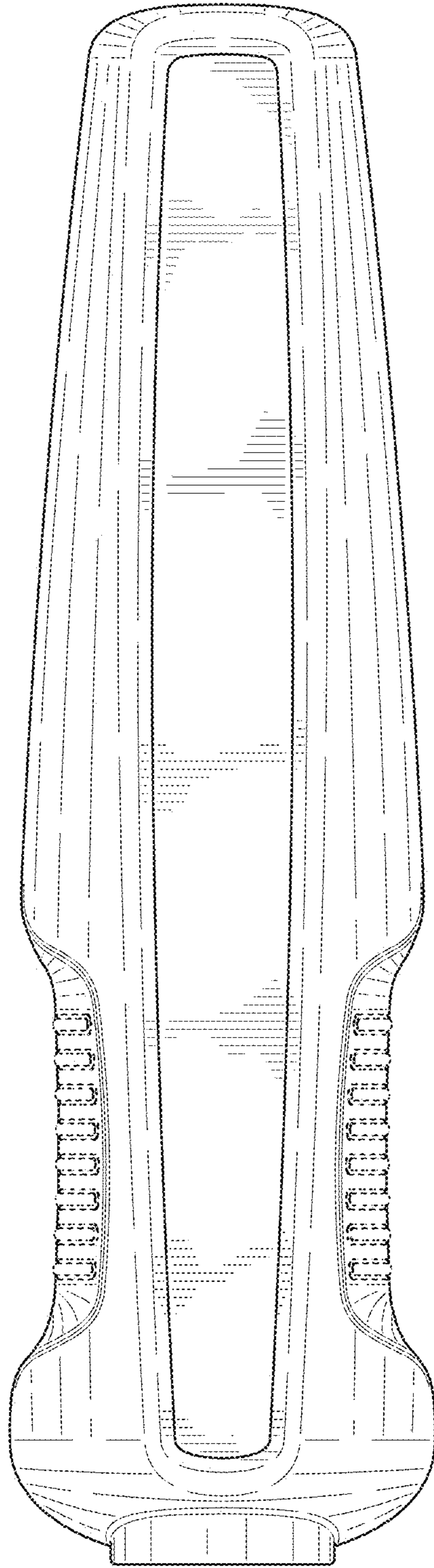


FIG. 7