

US00D950642S

(12) **United States Design Patent** (10) **Patent No.:** **US D950,642 S**
Uesugi et al. (45) **Date of Patent:** **** May 3, 2022**

(54) **PHOTOSENSITIVE DRUM FOR PROCESS CARTRIDGE FOR IMAGE FORMING APPARATUS**

FOREIGN PATENT DOCUMENTS

JP D1569411 S 2/2017

(71) Applicant: **CANON KABUSHIKI KAISHA**, Tokyo (JP)

OTHER PUBLICATIONS

Copending, Unpublished U.S. national stage Design U.S. Appl. No. 35/503,601, filed Feb. 22, 2017, to Tetsuo Uesugi, et al.

(72) Inventors: **Tetsuo Uesugi**, Tokyo (JP); **Makoto Hayashida**, Tokyo (JP); **Koji Yamaguchi**, Tokyo (JP); **Takashi Yano**, Tokyo (JP)

Primary Examiner — George D. Kirschbaum
(74) *Attorney, Agent, or Firm* — Venable LLP

(73) Assignee: **Canon Kabushiki Kaisha**, Tokyo (JP)

(57) **CLAIM**

The ornamental design for a photosensitive drum for process cartridge for image forming apparatus, as shown and described.

(**) Term: **15 Years**

(21) Appl. No.: **29/707,972**

DESCRIPTION

(22) Filed: **Oct. 2, 2019**

Related U.S. Application Data

(62) Division of application No. 35/505,766, filed on Mar. 26, 2018 (U.S. filing date under 35 U.S.C. 384), and (Continued)

FIG. 1 is a front view of the photosensitive drum for process cartridge for image forming apparatus.
FIG. 2 is a top view of the photosensitive drum for process cartridge for image forming apparatus.
FIG. 3 is a bottom view of the photosensitive drum for process cartridge for image forming apparatus.
FIG. 4 is an enlarged left view of the photosensitive drum for process cartridge for image forming apparatus.
FIG. 5 is an enlarged right view of the photosensitive drum for process cartridge for image forming apparatus.
FIG. 6 is an enlarged perspective view of the left portion of FIG. 1.
FIG. 7 is an enlarged perspective view of right portion of FIG. 1.
FIG. 8 is a back view of the photosensitive drum for process cartridge for image forming apparatus.
FIG. 9 is a left view of the photosensitive drum for process cartridge for image forming apparatus; and,
FIG. 10 is a right view of the photosensitive drum for process cartridge for image forming apparatus.
The broken lines show portions of the photosensitive drum for process cartridge for image forming apparatus that form no part of the claimed design.

(30) **Foreign Application Priority Data**

Sep. 28, 2017 (JP) 2017-021220

(51) **LOC (13) Cl.** **16-03**

(52) **U.S. Cl.**
USPC **D18/43**

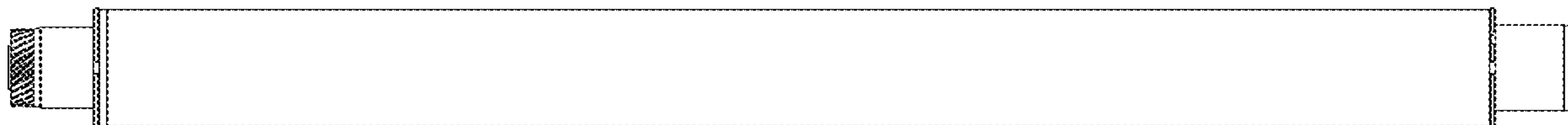
(58) **Field of Classification Search**
USPC D18/43
See application file for complete search history.

(56) **References Cited**

U.S. PATENT DOCUMENTS

4,984,028 A 1/1991 Tonomoto
D398,634 S * 9/1998 Katayama D18/43
(Continued)

1 Claim, 10 Drawing Sheets



Related U.S. Application Data

having an international filing date of Mar. 26, 2018,
now Pat. No. Des. 876,535.

(56)

References Cited

U.S. PATENT DOCUMENTS

D399,870 S * 10/1998 Okada D18/43
D408,845 S * 4/1999 Harumoto D18/43
D469,119 S * 1/2003 Shiba D18/43
D606,583 S 12/2009 Kurenuma et al.
7,729,644 B2 6/2010 Thornton et al.
7,885,575 B2 2/2011 Batori et al.
D636,435 S 4/2011 Naito et al.
D636,813 S 4/2011 Kikuchi et al.
D685,841 S * 7/2013 Okino D18/43
D723,613 S 3/2015 Shimizu
D724,657 S 3/2015 Shimizu
D734,386 S * 7/2015 Kikuchi D18/43
D828,868 S * 9/2018 Kubo D18/43
D829,813 S * 10/2018 Kubo D18/43
D829,814 S * 10/2018 Kubo D18/43
D876,535 S * 2/2020 Uesugi D18/43
D879,194 S * 3/2020 Kikuchi D18/43
D894,267 S * 8/2020 Ikeda D18/43
D906,415 S * 12/2020 Fukushima D18/43
D906,416 S * 12/2020 Fukushima D18/43
D908,169 S * 1/2021 Ikeda D18/43
D928,871 S * 8/2021 Kobayashi D18/43

* cited by examiner

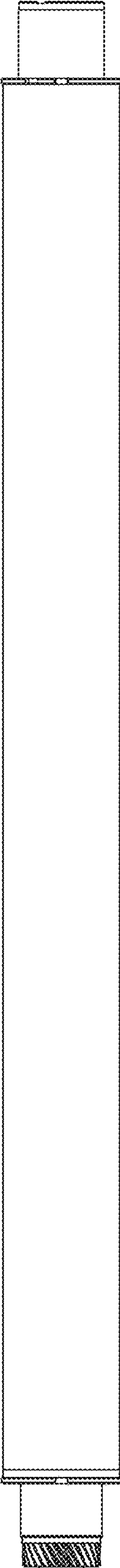


FIG. 1

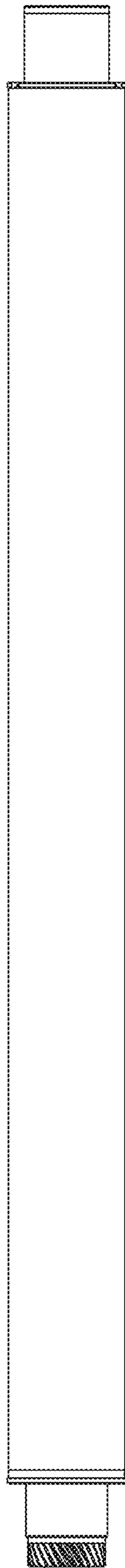


FIG. 2

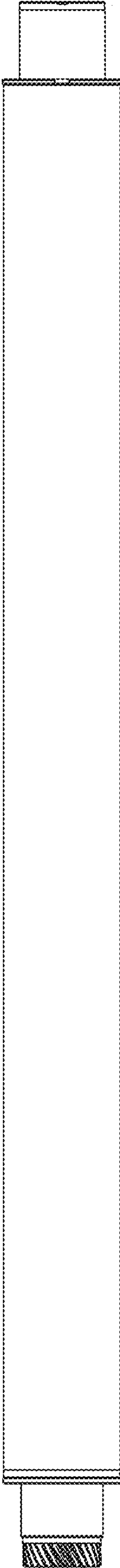


FIG. 3

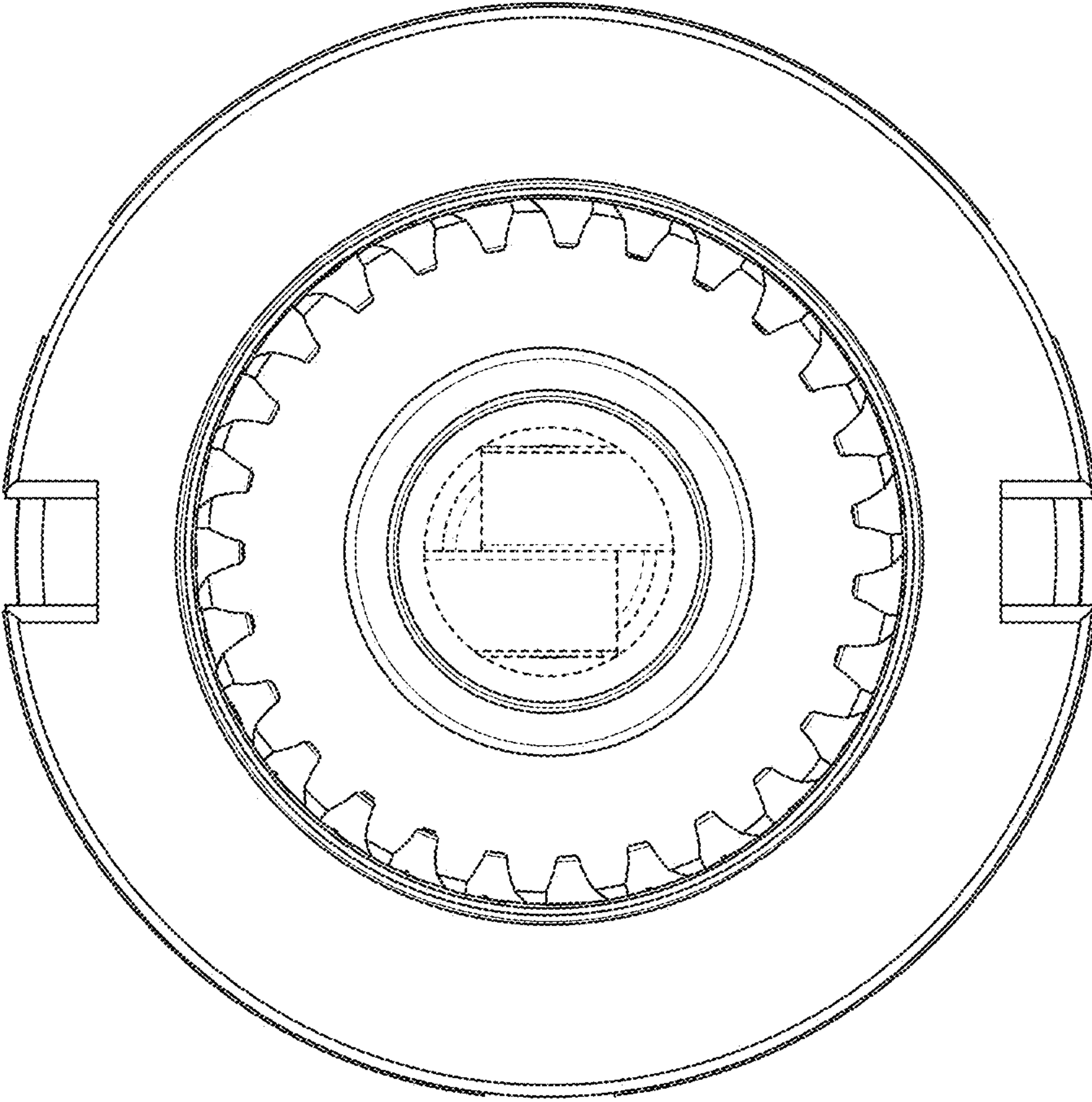


FIG. 4

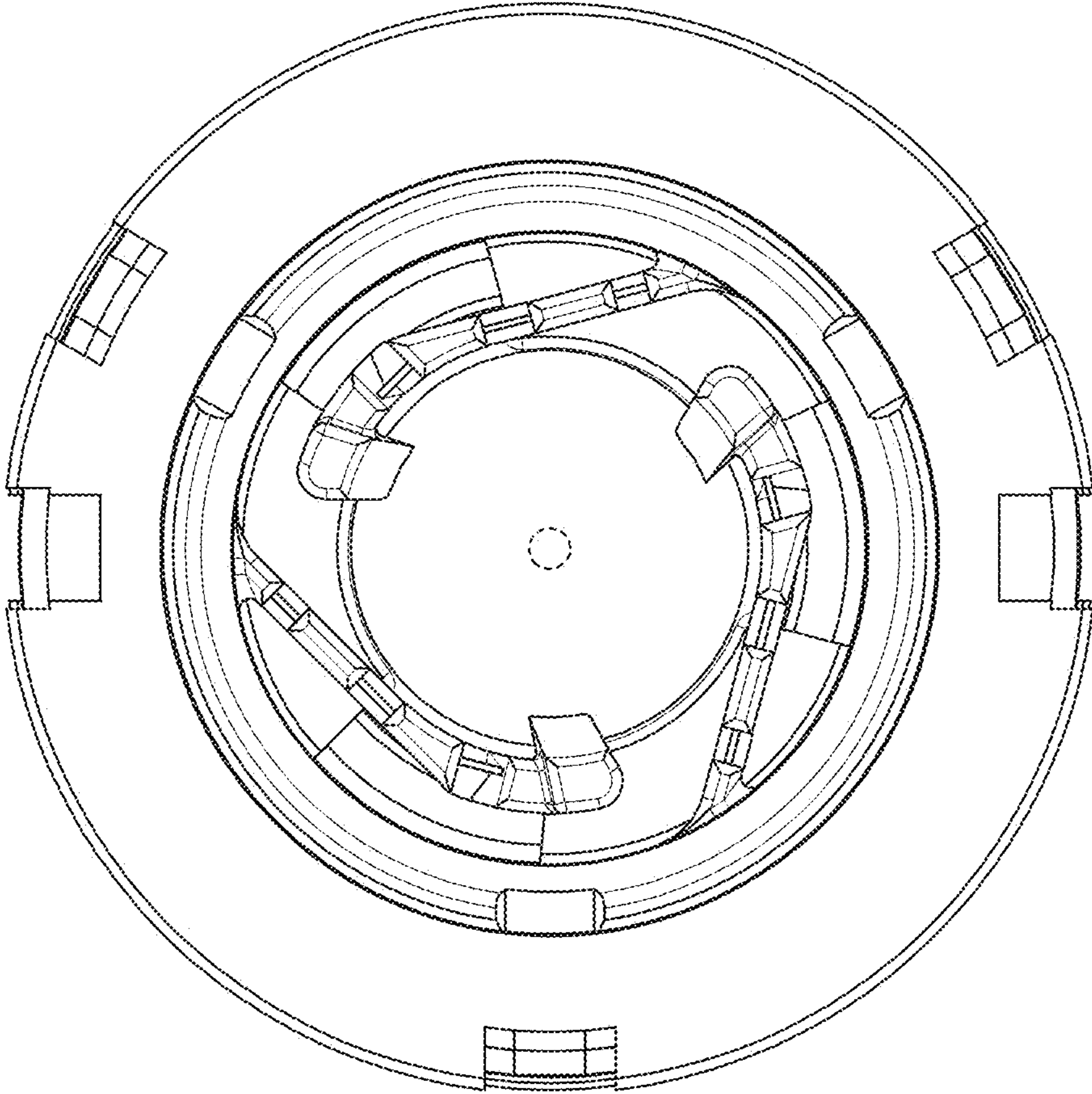


FIG. 5

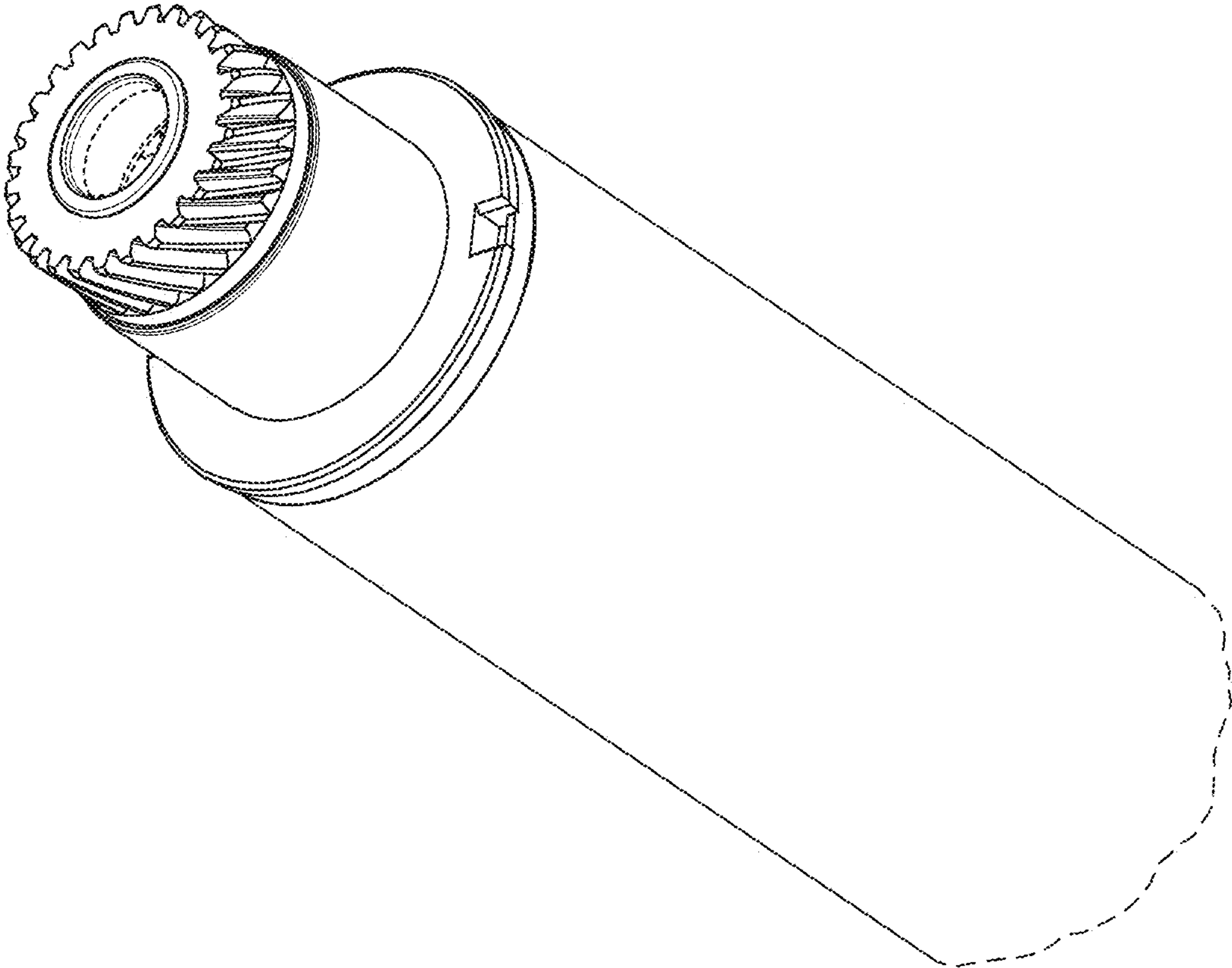


FIG. 6

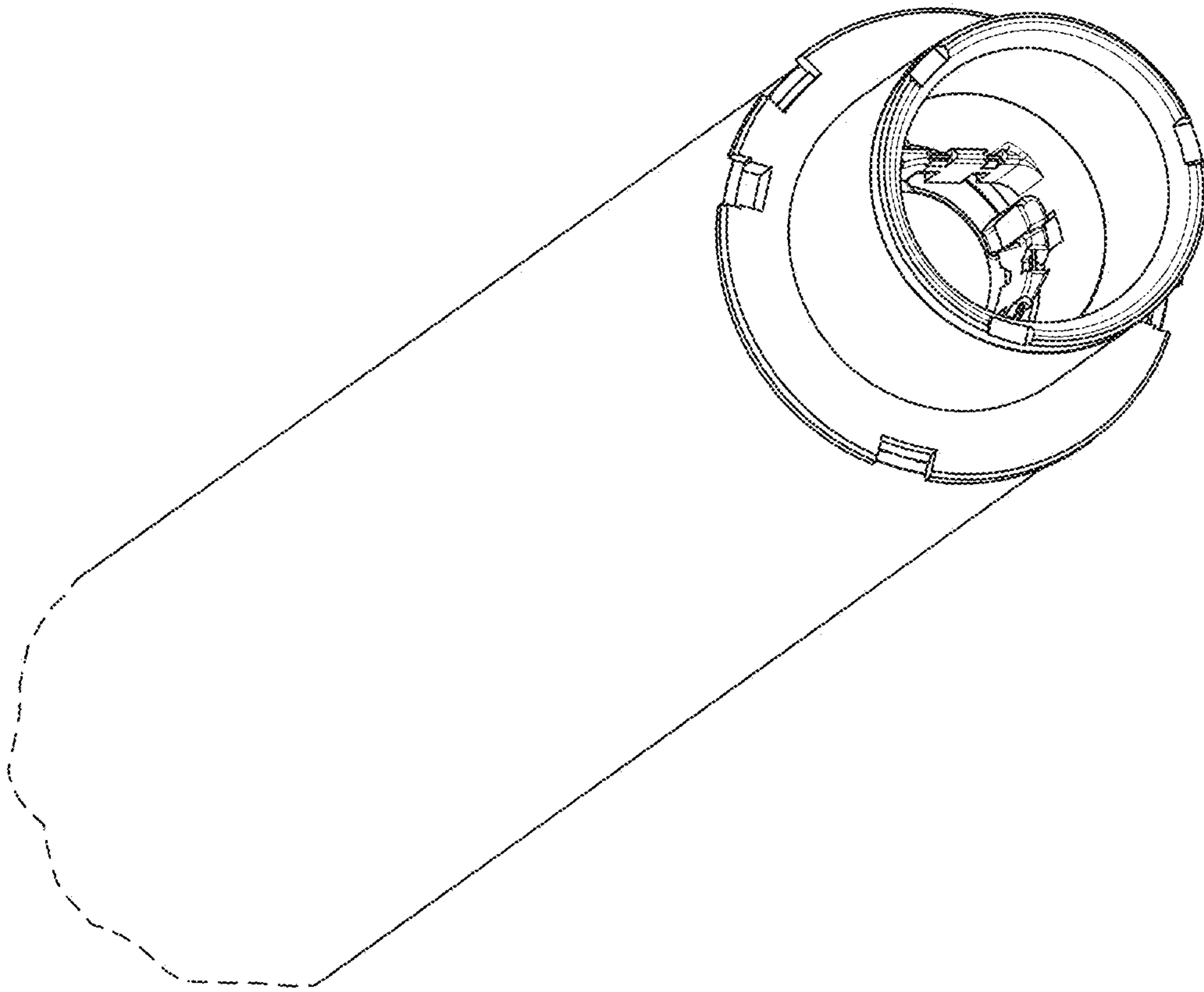


FIG. 7

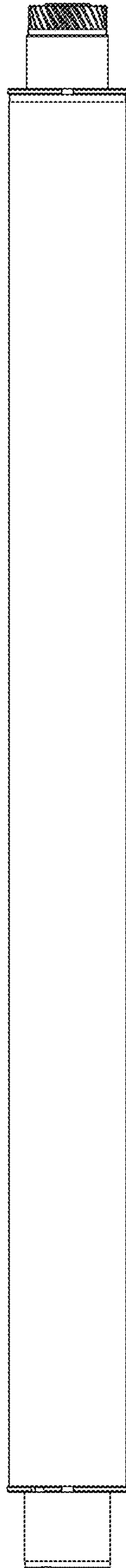


FIG. 8

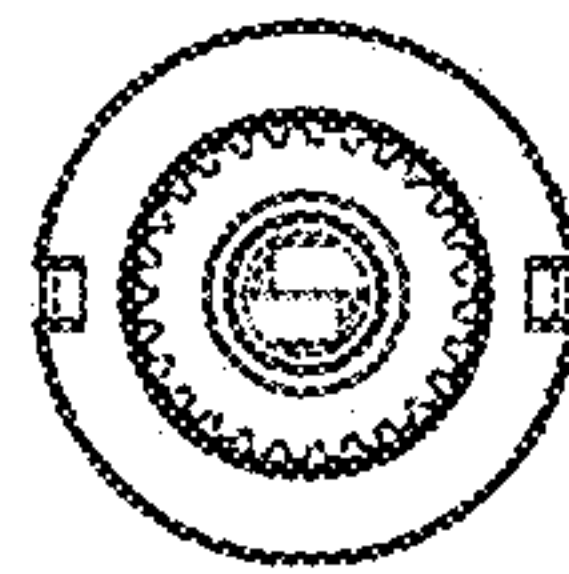


FIG. 9

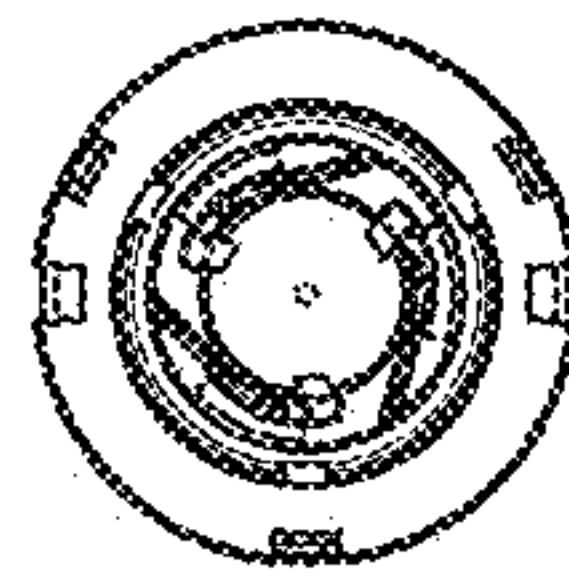


FIG. 10