



US00D950638S

(12) **United States Design Patent**  
**Zhong et al.**

(10) **Patent No.:** **US D950,638 S**  
(45) **Date of Patent:** **\*\* May 3, 2022**

(54) **THERMOSENSITIVE LABEL TICKET  
PRINTER**

FOREIGN PATENT DOCUMENTS

(71) Applicant: **ZHUHAI XPRINTER  
TECHNOLOGY GROUP**, Zhuhai  
(CN)

CN 301672504 \* 9/2011  
CN 306611992 \* 6/2021

(Continued)

(72) Inventors: **Xiangwei Zhong**, Zhuhai (CN); **Dan  
Liu**, Zhuhai (CN)

OTHER PUBLICATIONS

(\*\*) Term: **15 Years**

Amazon. Link: [https://www.amazon.com/dp/B09F9FFCPG/ref=sspa\\_dk\\_detail\\_4?pd\\_rd\\_i=B09F9FFCPG&pd\\_rd\\_w=JsRqK&pf\\_rd\\_p=9fd3ea7c-b77c-42ac-b43b-c8%E2%80%A6](https://www.amazon.com/dp/B09F9FFCPG/ref=sspa_dk_detail_4?pd_rd_i=B09F9FFCPG&pd_rd_w=JsRqK&pf_rd_p=9fd3ea7c-b77c-42ac-b43b-c8%E2%80%A6). Nov. 30, 2021.  
Small Label Maker—Memoking Q30S. (Year: 2021).\*

(Continued)

(21) Appl. No.: **29/771,250**

*Primary Examiner* — Lauren D McVey

(22) Filed: **Feb. 22, 2021**

(57) **CLAIM**

(30) **Foreign Application Priority Data**

The ornamental design for a thermosensitive label ticket printer, as shown and described.

Jan. 8, 2021 (CN) ..... 202130010993.1

**DESCRIPTION**

(51) **LOC (13) Cl.** ..... **18-99**

(52) **U.S. Cl.**  
USPC ..... **D18/19**

(58) **Field of Classification Search**  
USPC ..... D18/14, 15, 16, 17, 18, 19, 36, 37, 38,  
D18/39, 40, 41, 45, 54, 55, 50, 53, 43,  
D18/56; D19/65, 66, 67, 68, 69, 70, 71;  
D14/301, 307, 121  
CPC ..... H04N 1/00204; H04N 1/00249; H04N  
1/00278; G06K 15/12; G06K 15/14; B41J  
3/00; B41J 3/28; B41J 3/445; B41J 3/46;  
B41J 11/0045; B41J 2/3358; B41J 3/36;  
B41J 3/382

See application file for complete search history.

FIG. 1 is a front, top and left perspective view of a thermosensitive label ticket printer, showing our new design;  
FIG. 2 is a front top and right perspective view thereof;  
FIG. 3 is a front and bottom perspective view thereof;  
FIG. 4 is a front elevation view thereof;  
FIG. 5 is a rear elevation view thereof;  
FIG. 6 is a left side elevation view thereof;  
FIG. 7 is a right side elevation view thereof;  
FIG. 8 is a top plan view thereof;  
FIG. 9 is a bottom plan view thereof; and,  
FIG. 10 is an enlarged view of a portion labeled, 'FIG. 10' in FIG. 1.

The broken lines immediately adjacent to the claim and contain inner broken lines depict the bounds of the claimed design, while all other broken lines illustrate portions of the article that form no part of the claimed design. The dash dot dash lines in FIGS. 1 and 10 are for the purpose of depicting the cut line of the enlarged view and form no part of the claim.

(56) **References Cited**

U.S. PATENT DOCUMENTS

D516,618 S \* 3/2006 Sato ..... D18/15  
D594,504 S \* 6/2009 Hattori ..... D18/19  
D603,902 S \* 11/2009 Greaves ..... D19/67

(Continued)

**1 Claim, 10 Drawing Sheets**

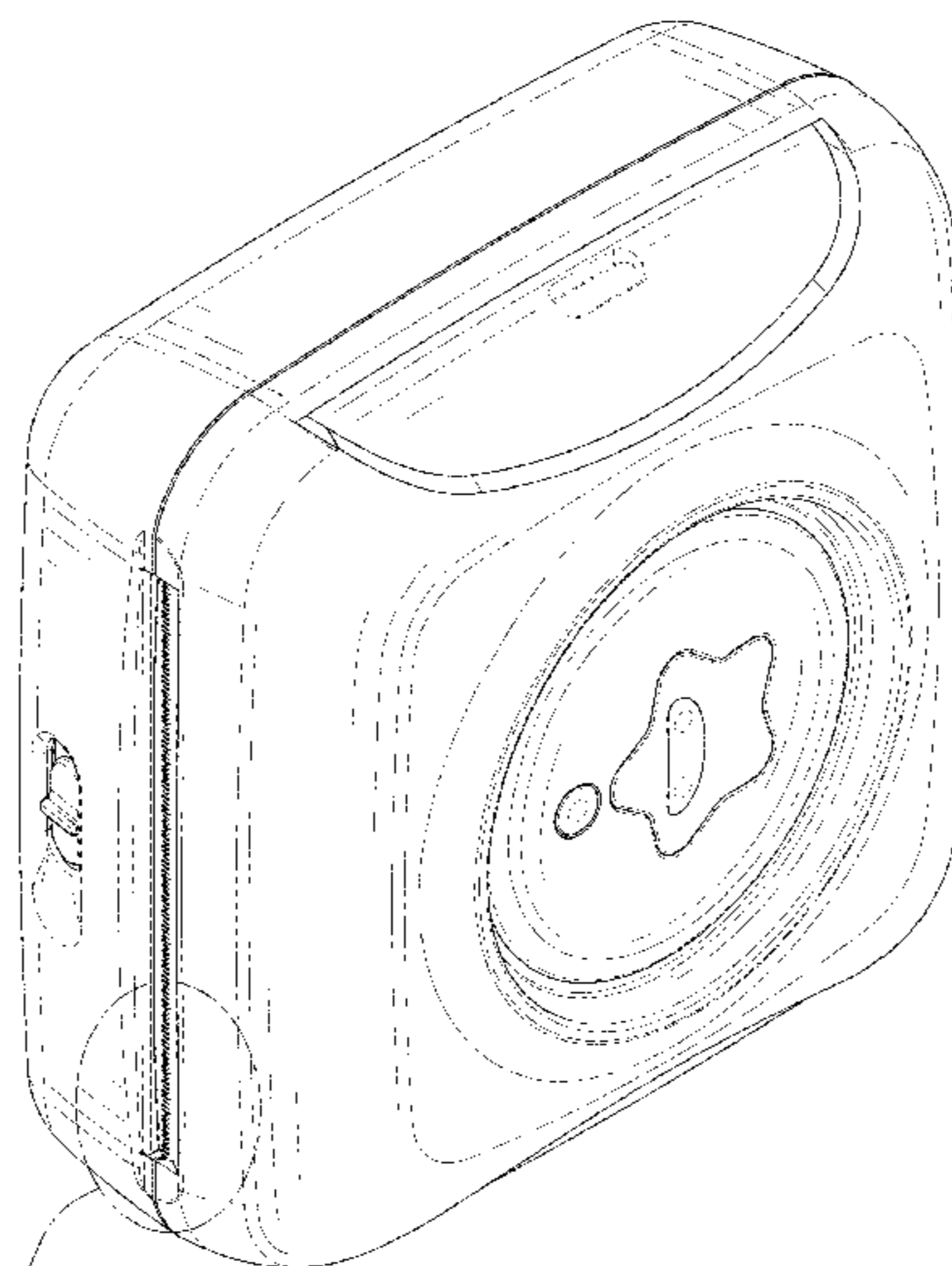


FIG. 10

(56)

**References Cited**

U.S. PATENT DOCUMENTS

D604,761 S \* 11/2009 Suzuki ..... D13/162.1  
 D700,649 S \* 3/2014 Kimble ..... D18/19  
 D829,277 S \* 9/2018 Seki ..... D18/50  
 D859,517 S \* 9/2019 Meyer ..... D18/19  
 D876,536 S \* 2/2020 Shirley ..... D18/50  
 D888,821 S \* 6/2020 Liao ..... D18/14  
 D893,595 S \* 8/2020 Sun ..... D18/19  
 D900,923 S \* 11/2020 Tashima ..... D18/19  
 D904,505 S \* 12/2020 Ma ..... D18/15  
 D931,364 S \* 9/2021 Sun ..... D18/19

FOREIGN PATENT DOCUMENTS

CN 306738446 \* 8/2021  
 EP 3336767 A1 \* 6/2018 ..... G06K 15/1852  
 EP 3336769 A1 \* 6/2018 ..... H04N 5/23245

OTHER PUBLICATIONS

Amazon. Link: [https://www.amazon.com/dp/B08SVZW839/ref=cm\\_sw\\_em\\_r\\_mt\\_dp\\_E0ENY6F1AG2MVH7WPV8W](https://www.amazon.com/dp/B08SVZW839/ref=cm_sw_em_r_mt_dp_E0ENY6F1AG2MVH7WPV8W). Jan. 13, 2021. LetSketch Mini Sticker Maker. (Year: 2021).\*

Amazon. Link: [https://www.amazon.com/dp/B09BNPHK7S/ref=cm\\_sw\\_em\\_r\\_mt\\_dp\\_Q1S35E2X04GBN9BS09AV](https://www.amazon.com/dp/B09BNPHK7S/ref=cm_sw_em_r_mt_dp_Q1S35E2X04GBN9BS09AV). Aug. 6, 2021. Wscoficey Mini printer. (Year: 2021).\*

Walmart. Link: <https://www.walmart.com/ip/Aibecy-All-in-One-Thermal-Label-Maker-Printer-Photo-Sticker-Portable-Wireless-BT-Mobile-Compatible-Android-iOS-Windows-Printing-Picture-Memo-Study-No/269781161?athbdg=L1700>. Visited Nov. 17, 2021. Aibecy All-in-One Thermal Label Maker Printer. (Year: 2021).\*

\* cited by examiner

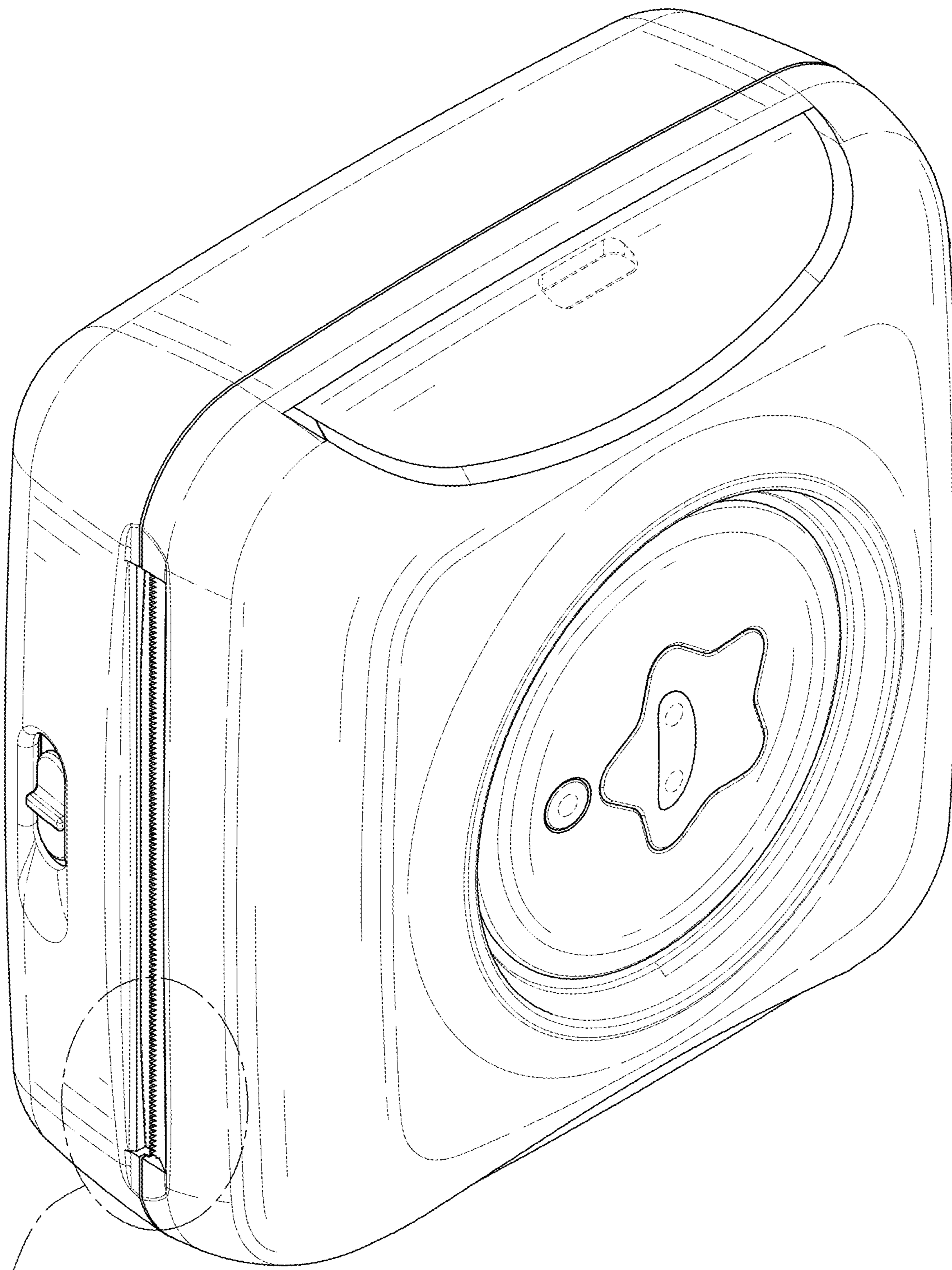


FIG. 10

FIG. 1

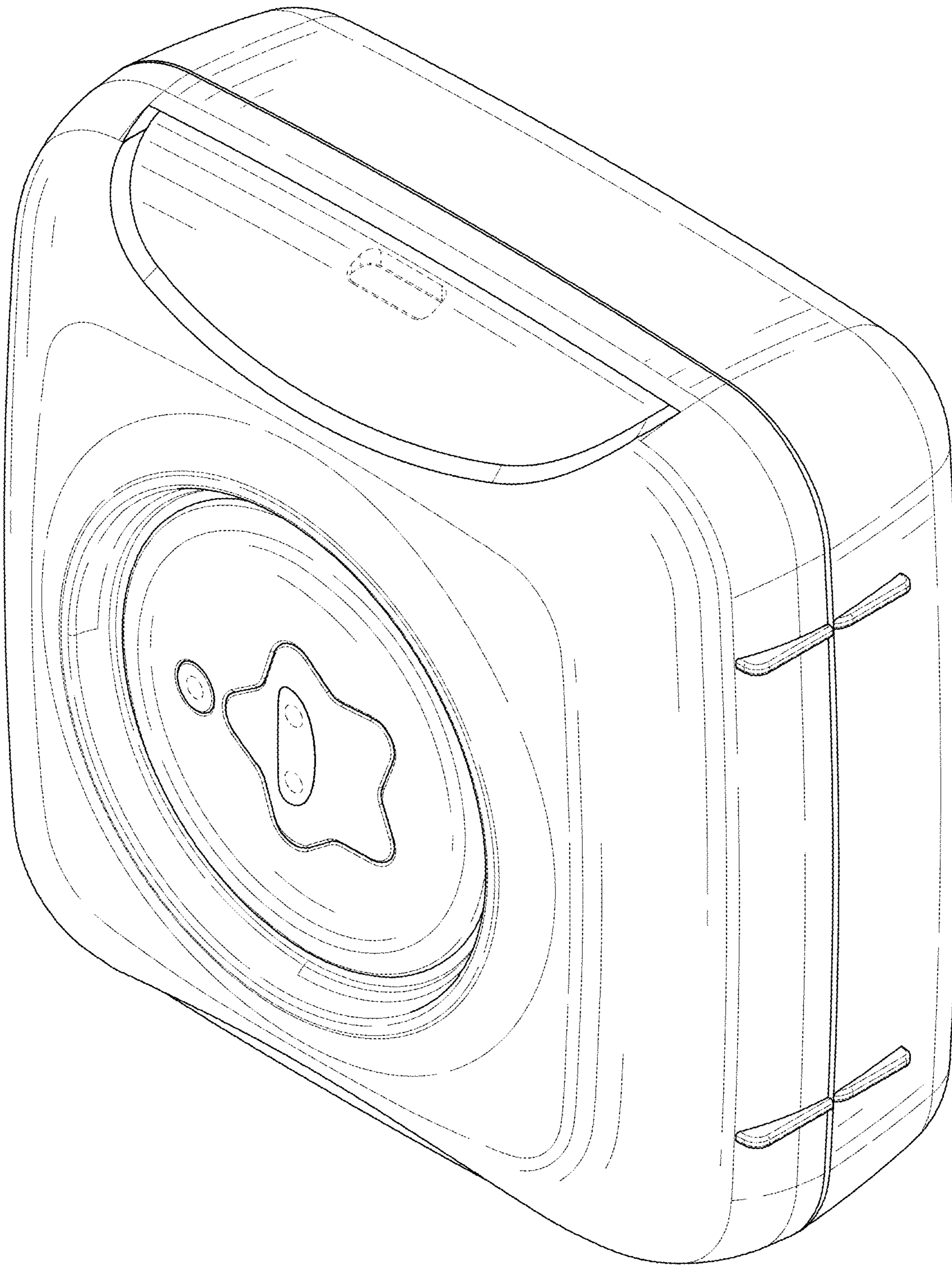


FIG. 2

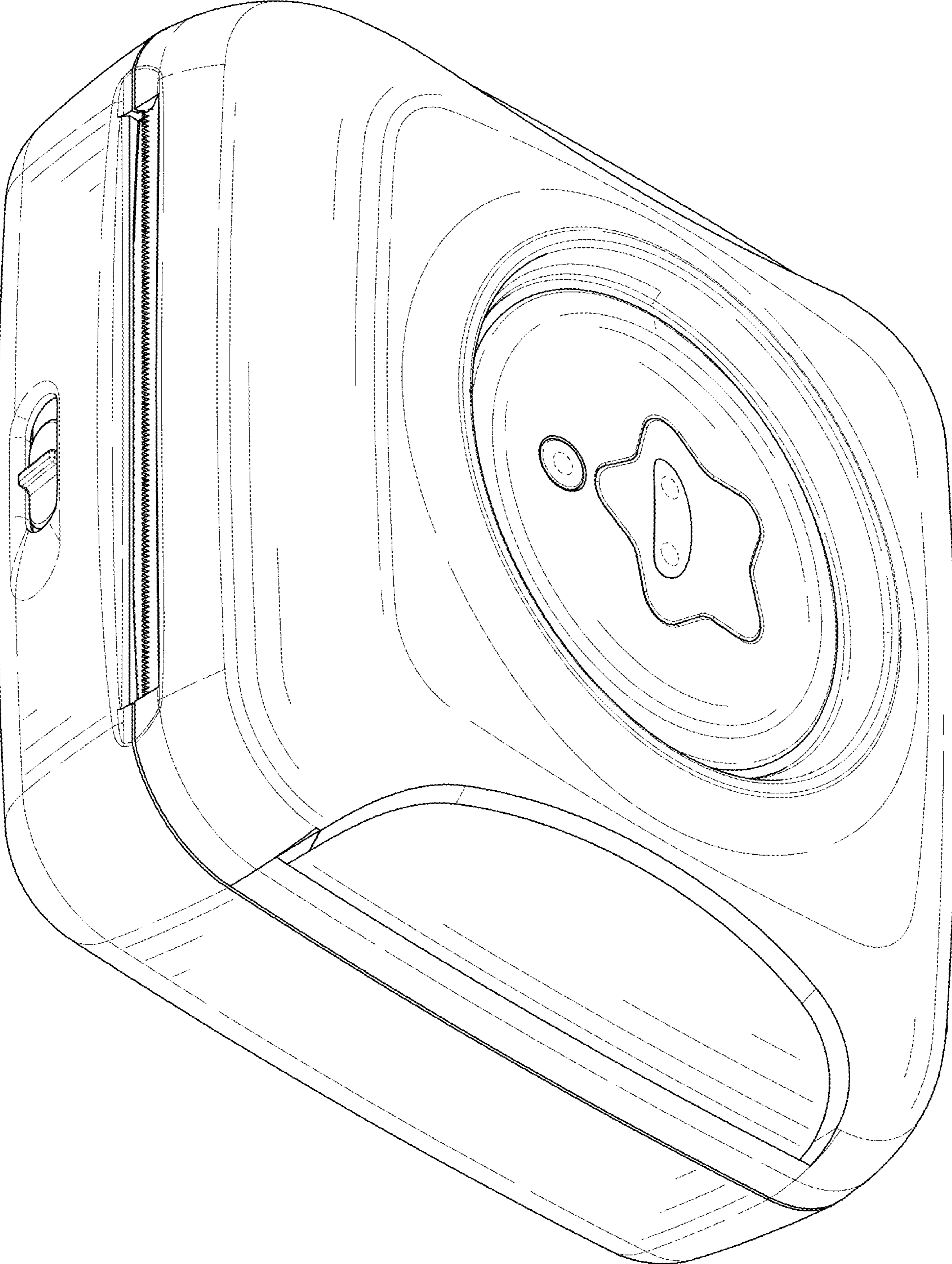


FIG. 3



FIG. 4

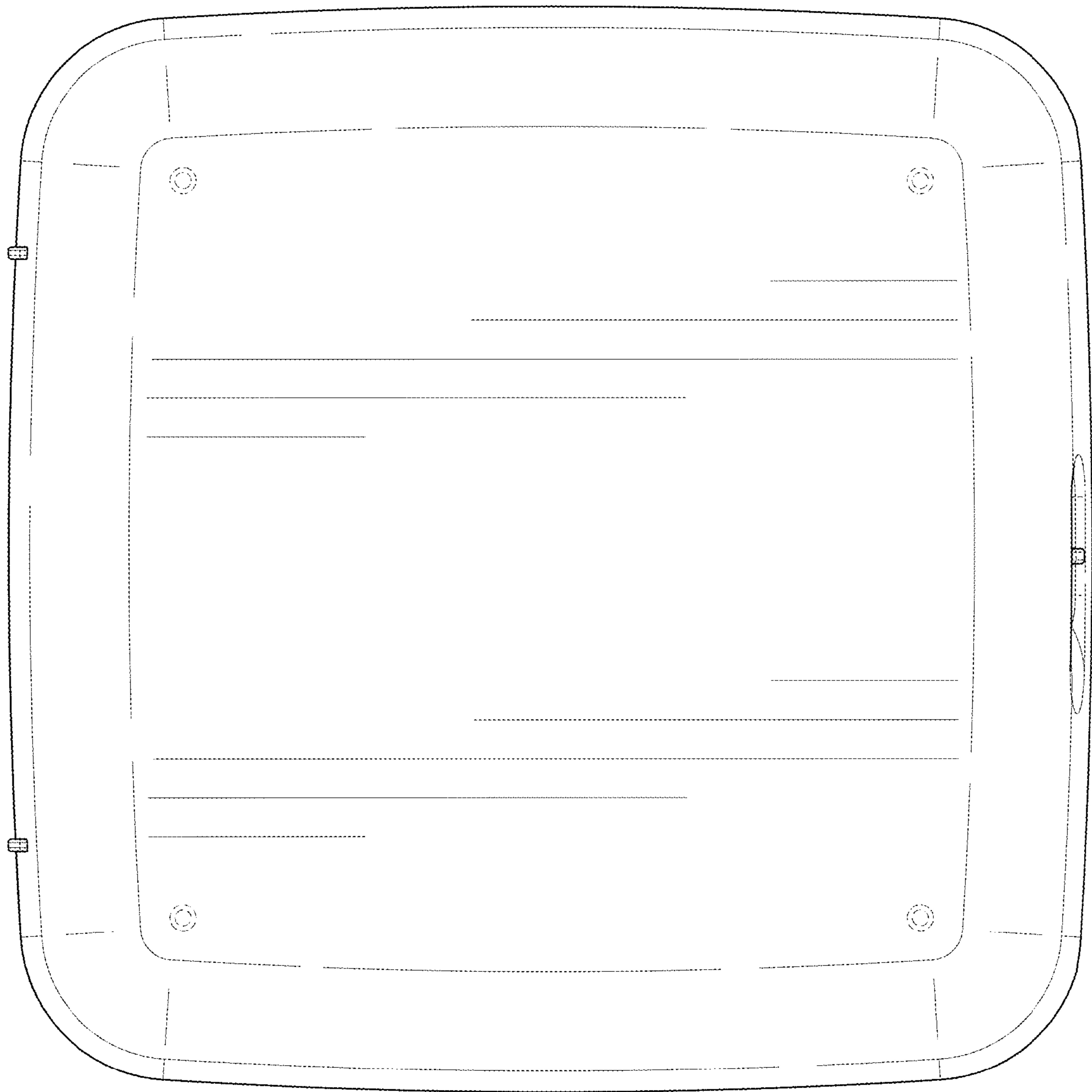


FIG. 5

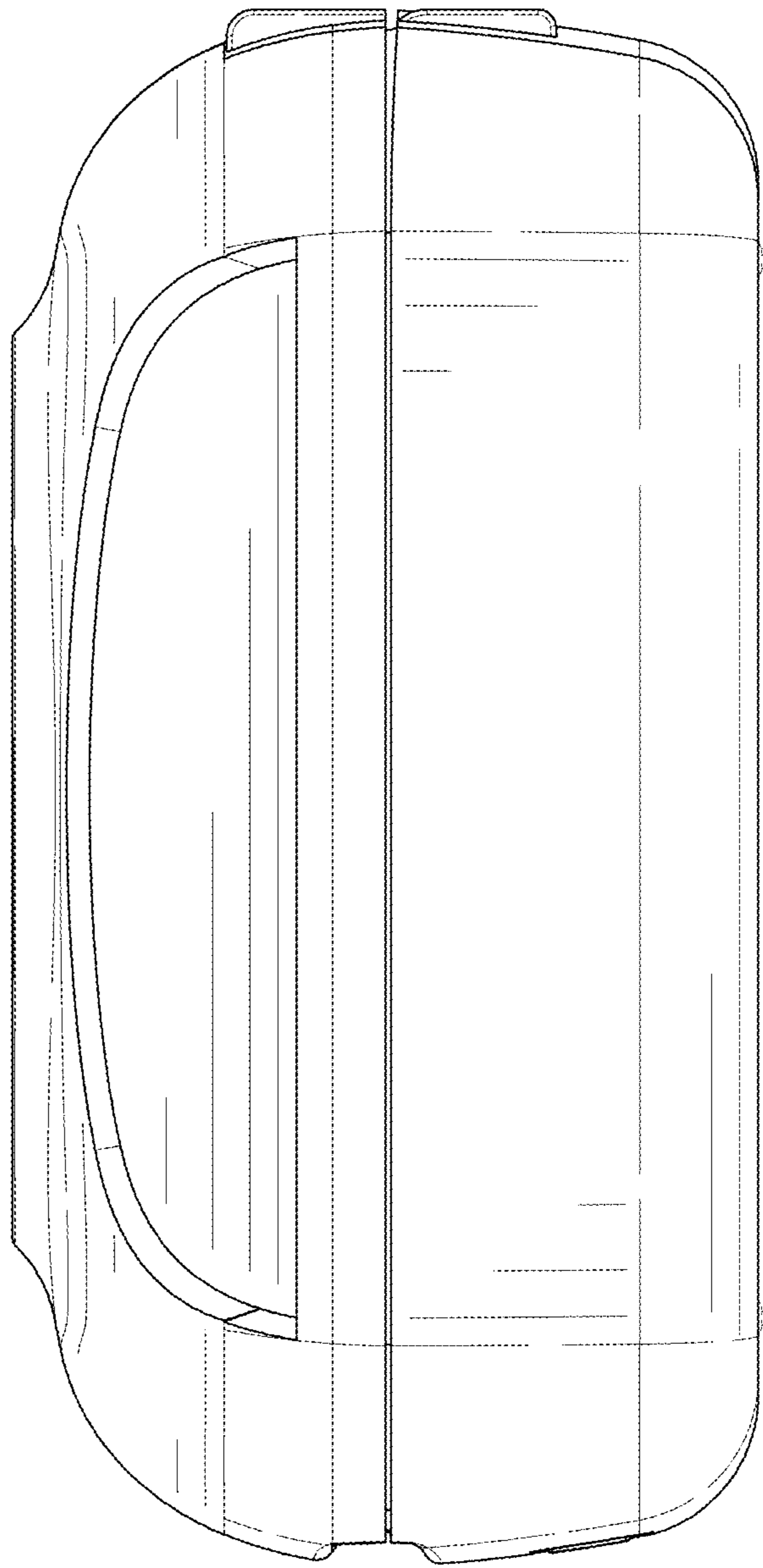


FIG. 6



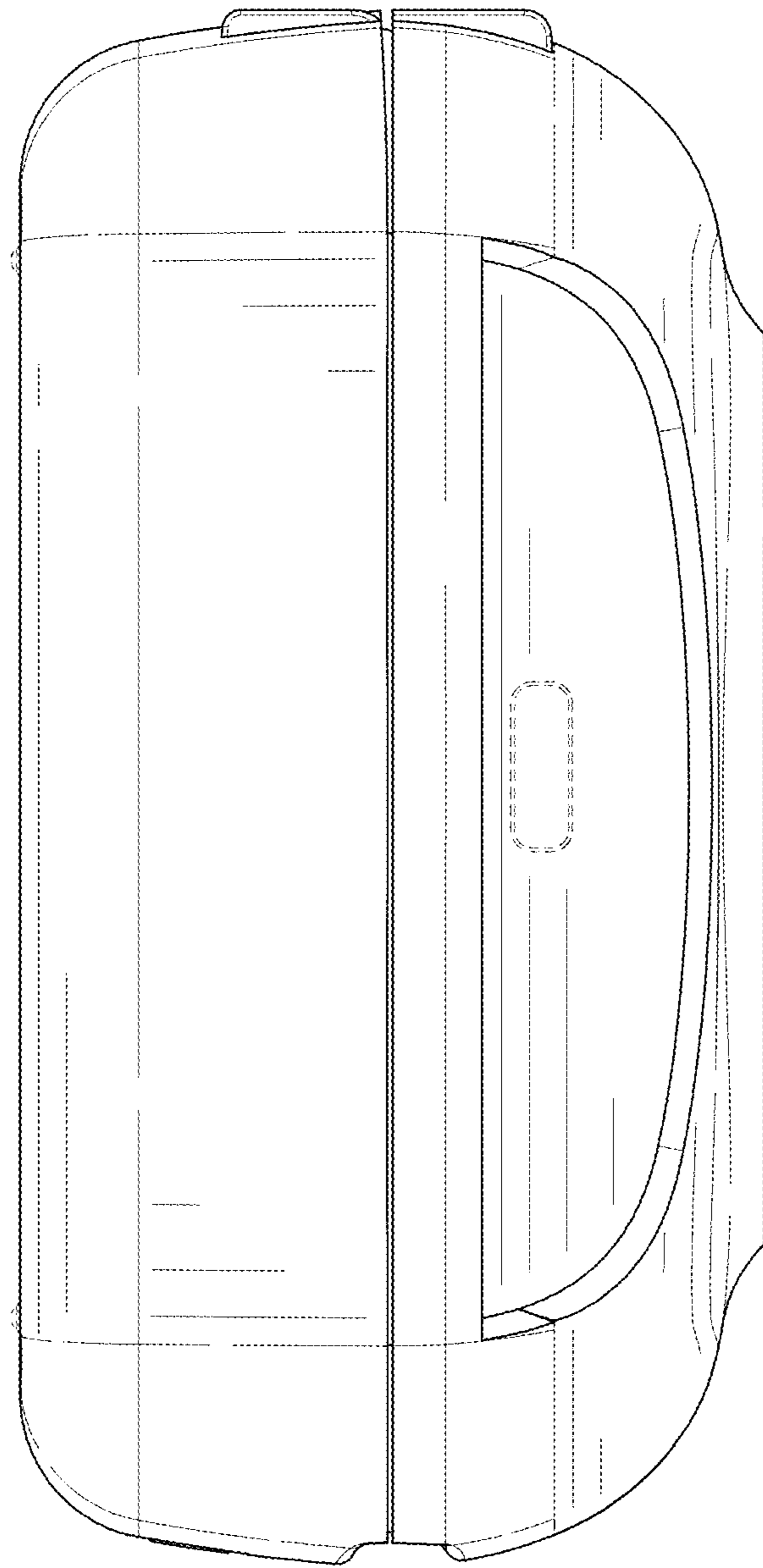


FIG. 7

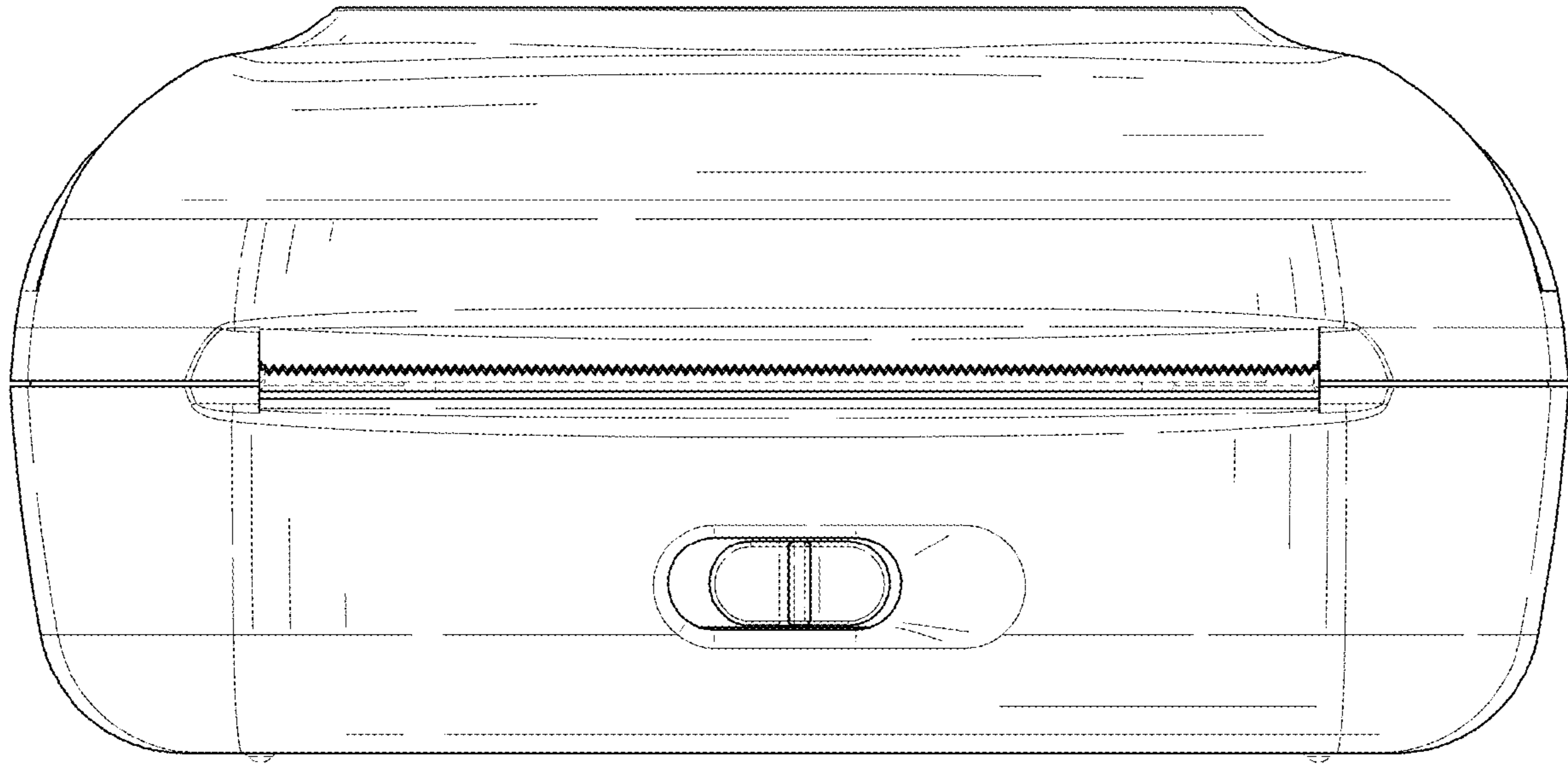


FIG. 8

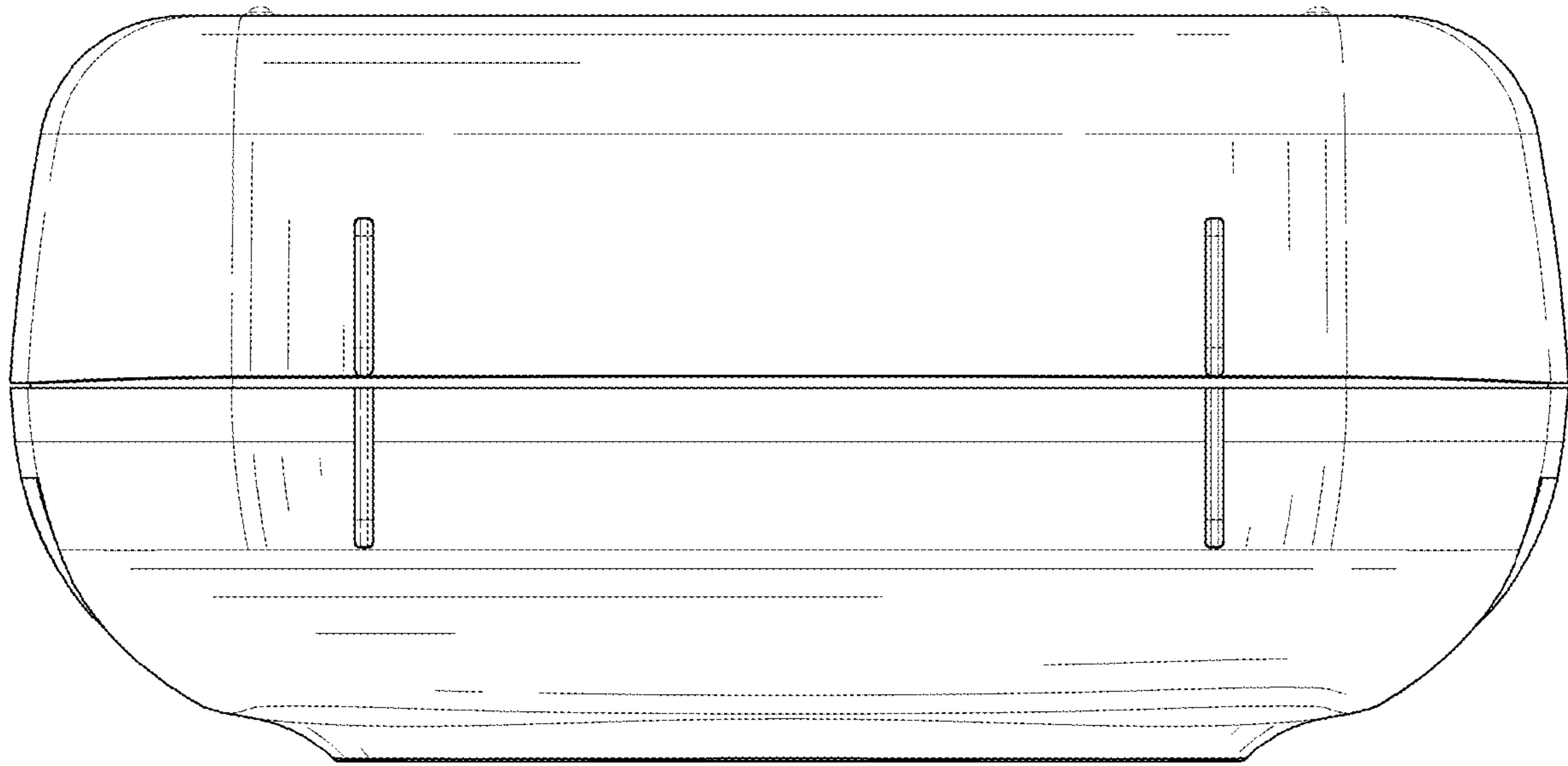


FIG. 9

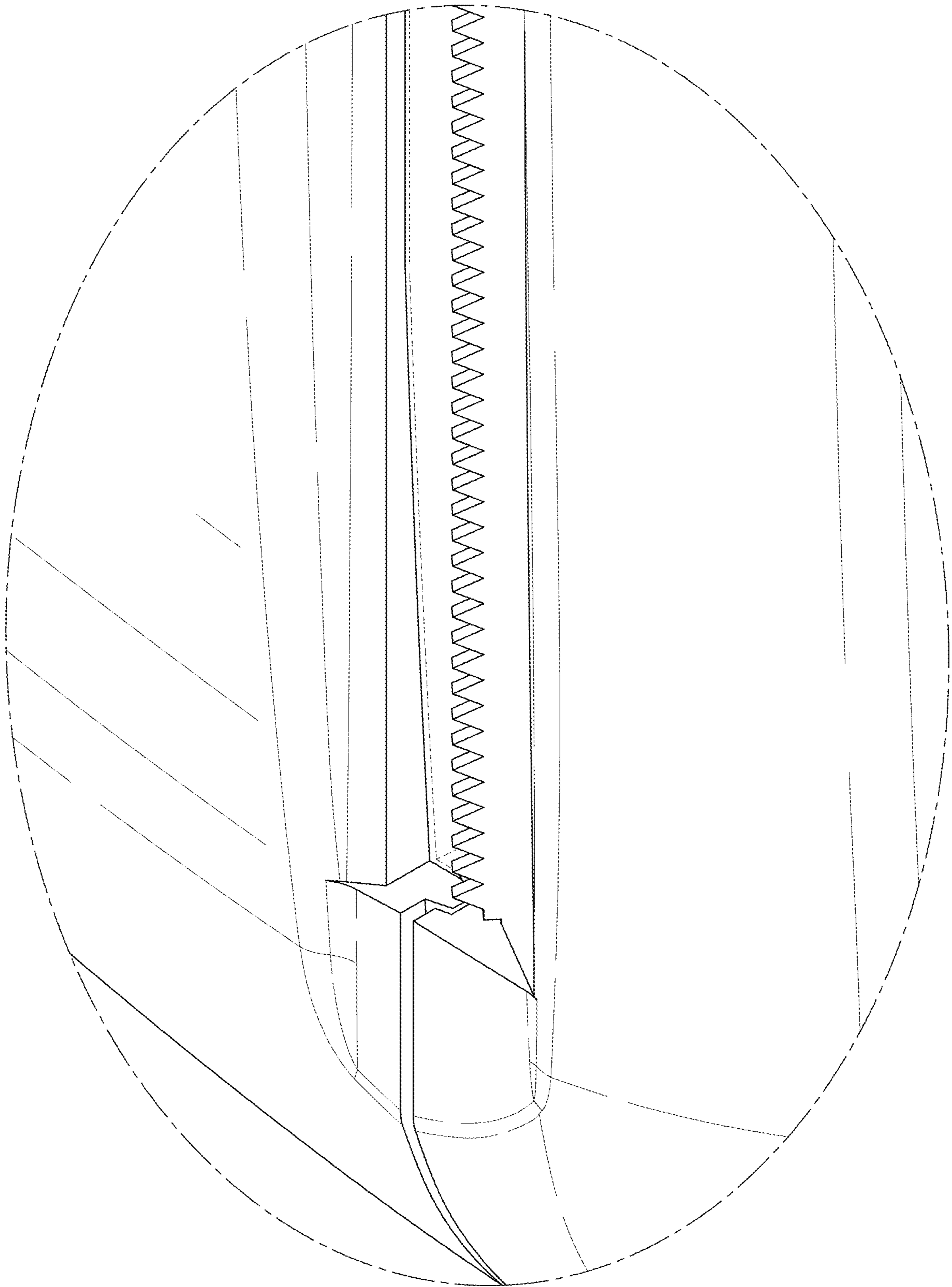


FIG. 10