



US00D950637S

(12) **United States Design Patent**
Strese

(10) **Patent No.:** **US D950,637 S**

(45) **Date of Patent:** **** May 3, 2022**

(54) **BOX DRUM**

(71) Applicant: **Patrick Strese**, Dannstadt (DE)

(72) Inventor: **Patrick Strese**, Dannstadt (DE)

(**) Term: **15 Years**

(21) Appl. No.: **29/767,822**

(22) Filed: **Jan. 26, 2021**

(51) **LOC (13) Cl.** **17-04**

(52) **U.S. Cl.**
USPC **D17/22**

(58) **Field of Classification Search**
USPC D17/22, 99; D21/405
CPC G10D 13/00; G10D 13/01; G10D 13/02;
G10D 13/03; G10D 13/10; G10D 13/11;
G10D 13/12; G10D 99/00
See application file for complete search history.

(56) **References Cited**

U.S. PATENT DOCUMENTS

- 3,263,551 A * 8/1966 Musser G04F 5/025
340/392.5
- 5,385,075 A * 1/1995 Carnes G10D 13/02
84/411 R
- D772,334 S * 11/2016 Nishi D17/22
- D780,835 S * 3/2017 Drushal D17/20
- D836,160 S * 12/2018 Turner D17/22
- D922,478 S * 6/2021 Tafoya D17/22
- 2009/0013849 A1 * 1/2009 Payerl G10D 13/02
84/411 R
- 2013/0068083 A1 * 3/2013 Eduardo G10D 13/02
84/411 R
- 2013/0177174 A1 * 7/2013 Pires G10D 13/06
381/118
- 2014/0000436 A1 * 1/2014 Klein G10D 13/18
84/415
- 2016/0335991 A1 * 11/2016 Amos G10D 13/28
- 2018/0204549 A1 * 7/2018 Metz G10D 13/24
- 2018/0247620 A1 * 8/2018 Chandontrikij G10D 13/02

FOREIGN PATENT DOCUMENTS

- WO WO-2013116317 A1 * 8/2013 G10D 13/02
- WO WO-2020113629 A1 * 6/2020 G10D 13/02

OTHER PUBLICATIONS

Kaleidoscope. <https://www.kaleidoscope.com.au/buy/music-cajonboxdrum/DJ6014>. "DJ6014—Animambo Cajon Box Drum". Date Unknown: Viewed Jan. 2022 (Year: 2022).*

* cited by examiner

Primary Examiner — R. Johnson

(74) *Attorney, Agent, or Firm* — John H. Thomas, P.C.

(57) **CLAIM**

The ornamental design for a box drum, as shown and described.

DESCRIPTION

FIG. 1 is a perspective view of a box drum according to the design;

FIG. 2 is a front view of the box drum of FIG. 1;

FIG. 3 is a side view of the box drum of FIG. 1. The right side view, left side view and back view of the box drum of FIG. 1 are the same;

FIG. 4 is a top view of the box drum of FIG. 1;

FIG. 5 is a bottom view of the box drum of FIG. 1;

FIG. 6 is a perspective view of a second embodiment of a box drum according to the design;

FIG. 7 is a front view of the box drum of FIG. 6;

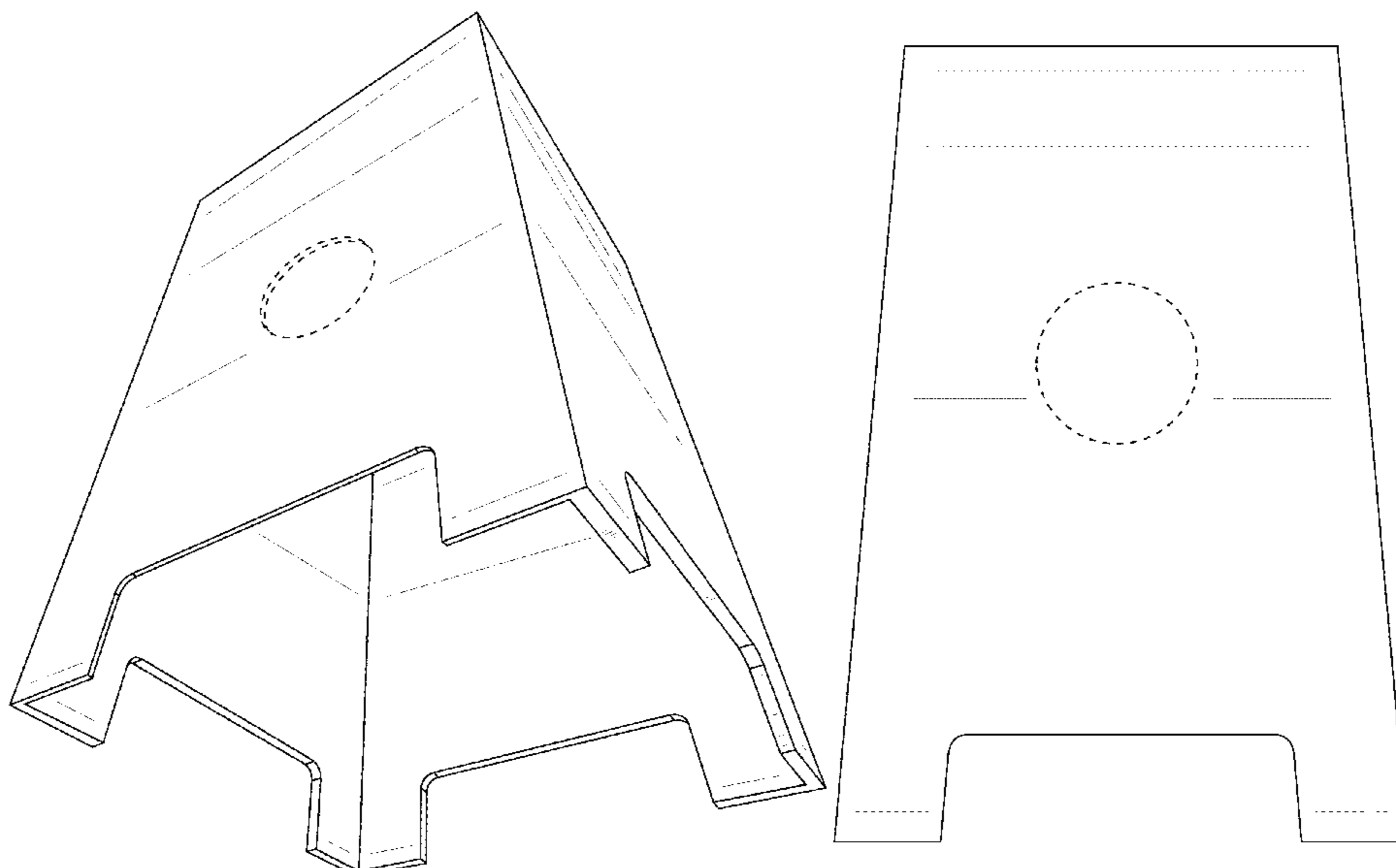
FIG. 8 is a side view of the box drum of FIG. 6. The right side view, left side view and back view of the box drum of FIG. 6 are the same;

FIG. 9 is a top view of the box drum of FIG. 6; and,

FIG. 10 is a bottom view of the box drum of FIG. 6.

The broken lines in the Figures illustrate box drum features that form no part of the claimed design.

1 Claim, 10 Drawing Sheets



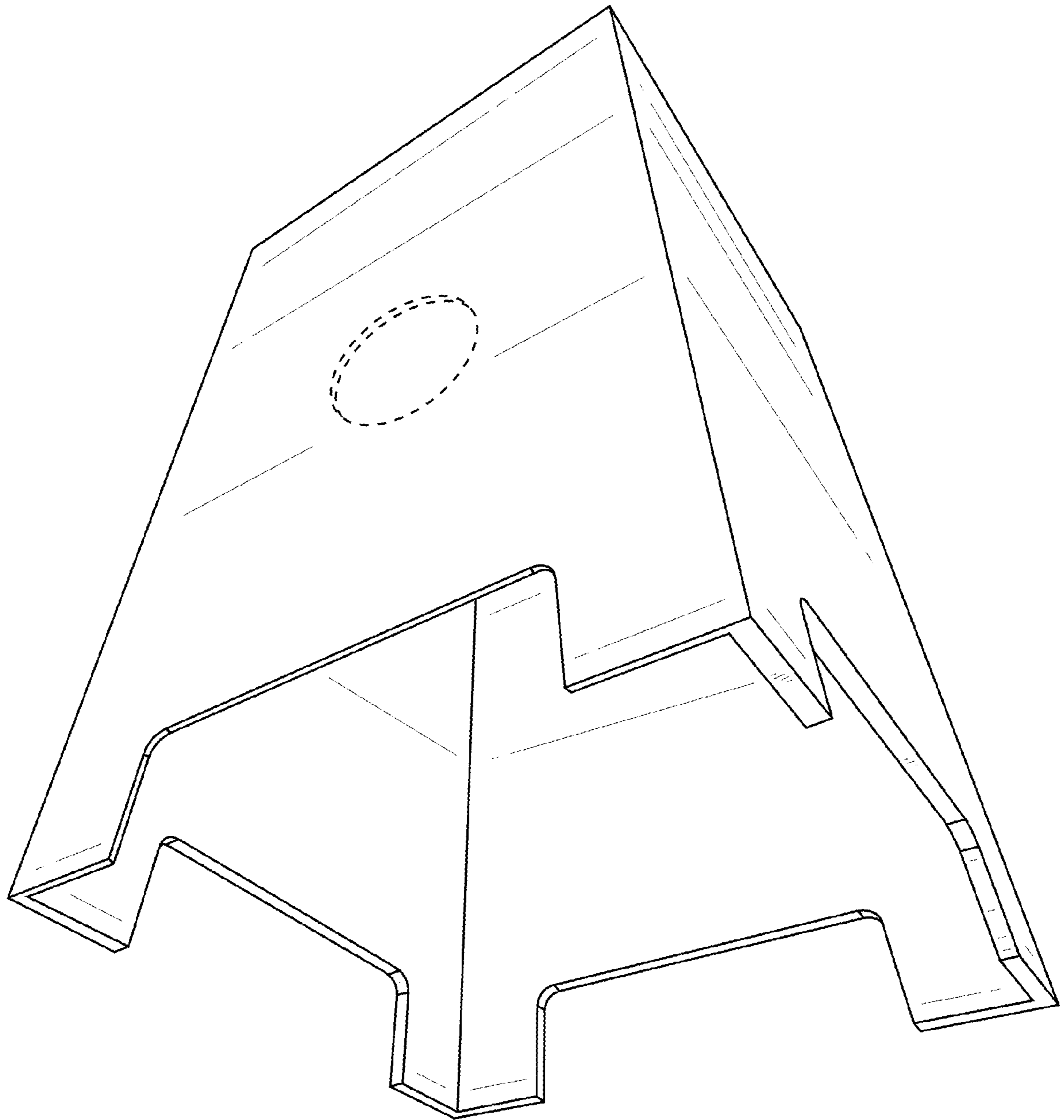


FIG. 1

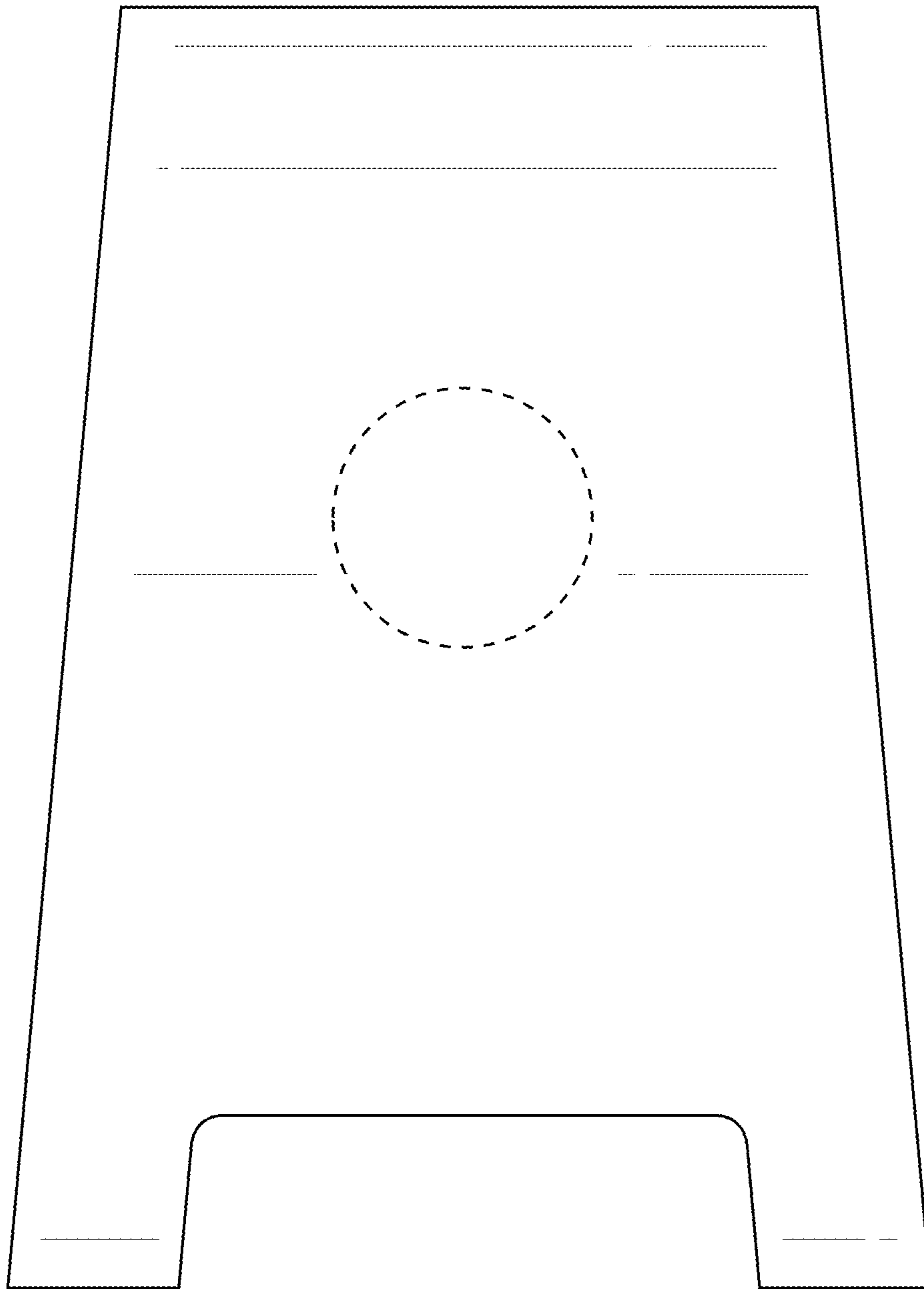


FIG. 2

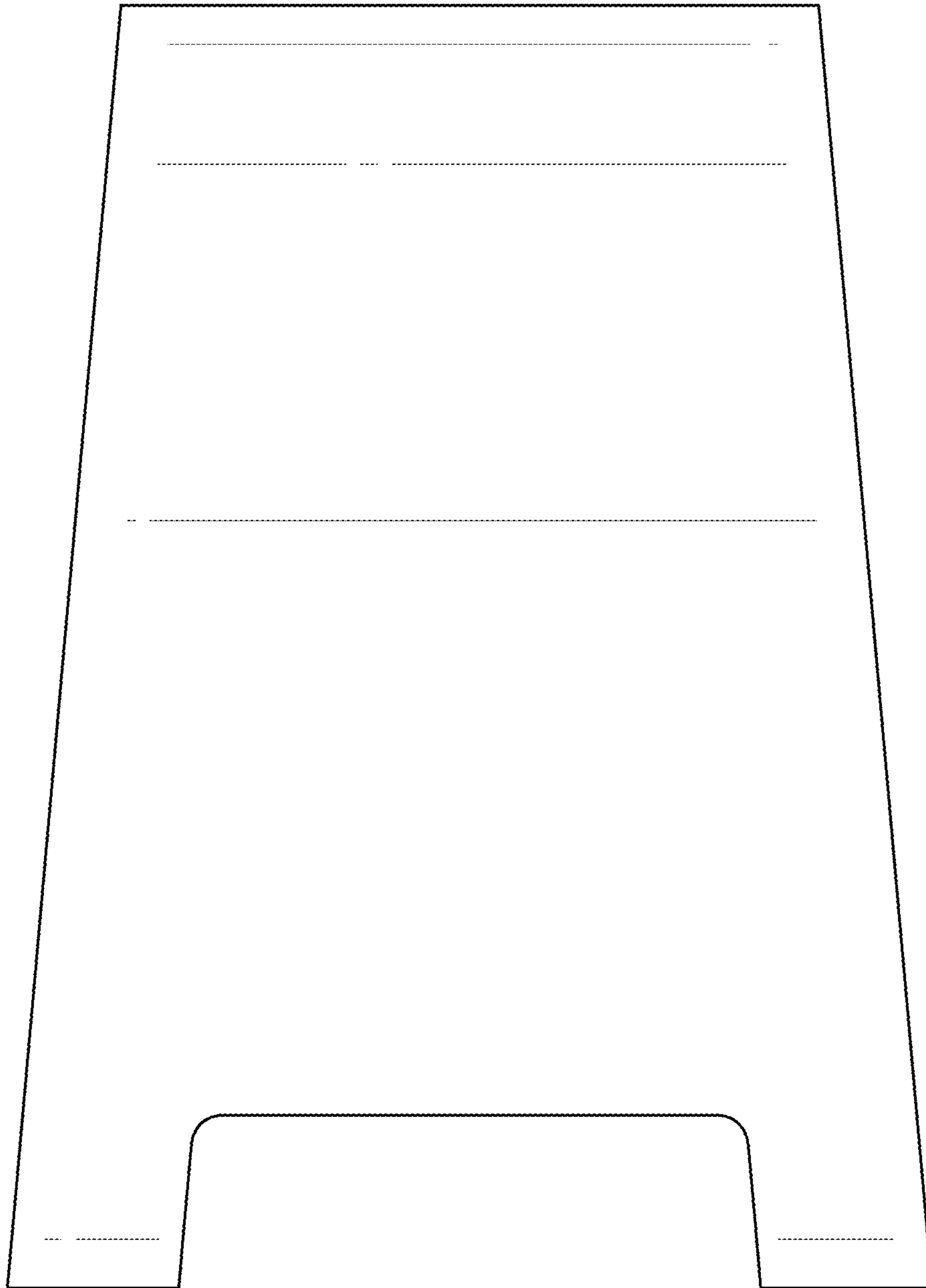


FIG. 3

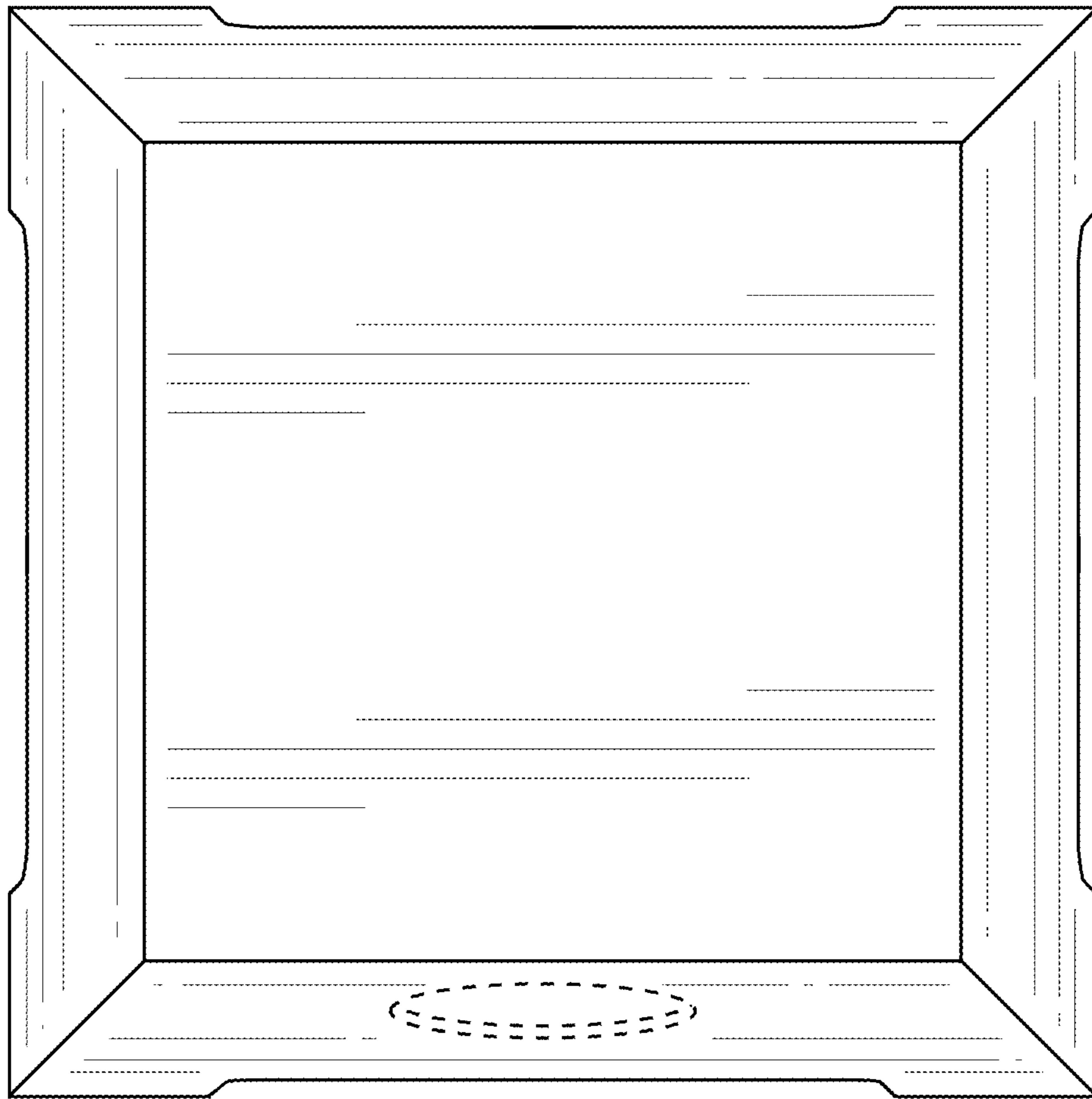


FIG. 4

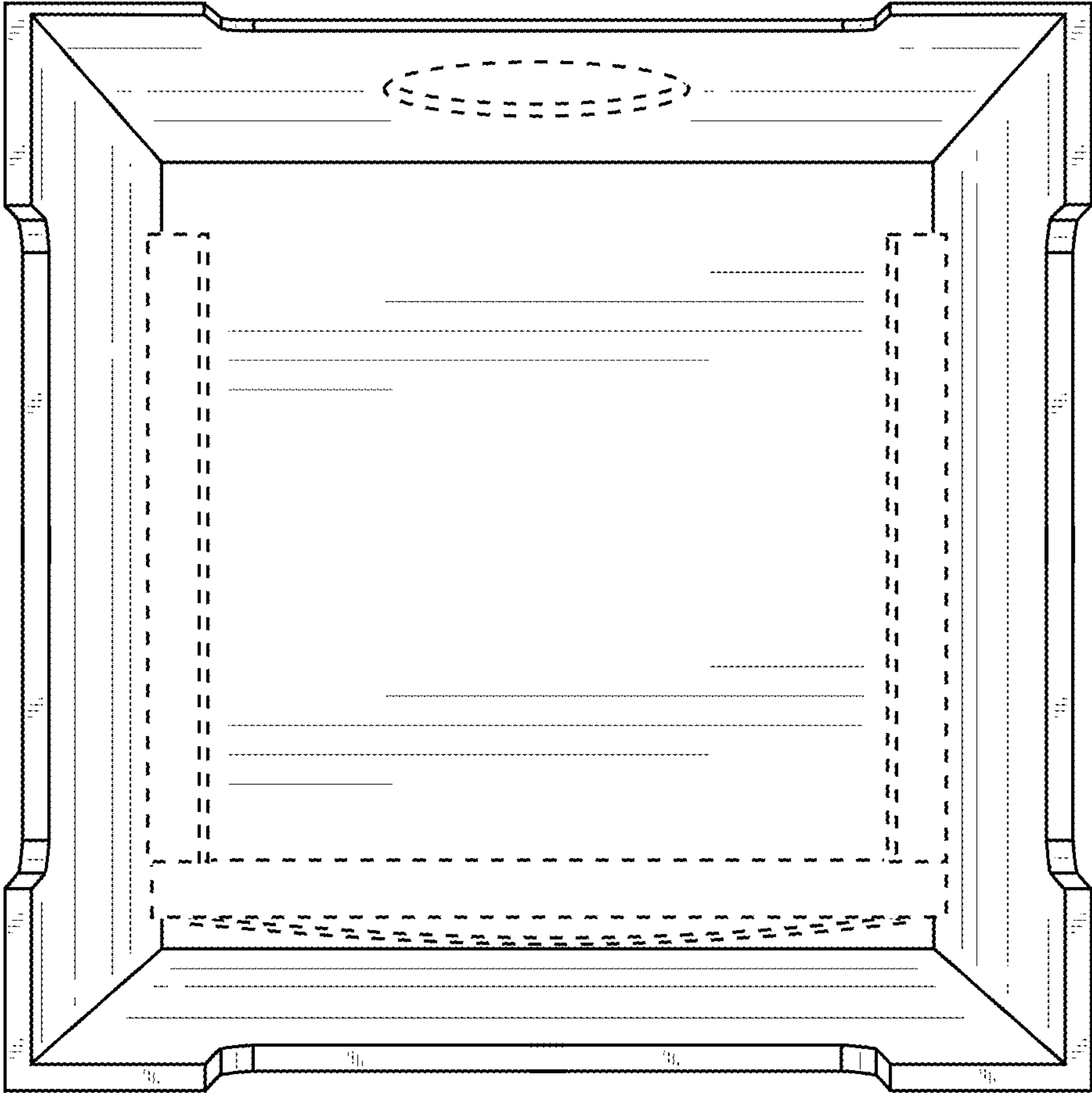


FIG. 5

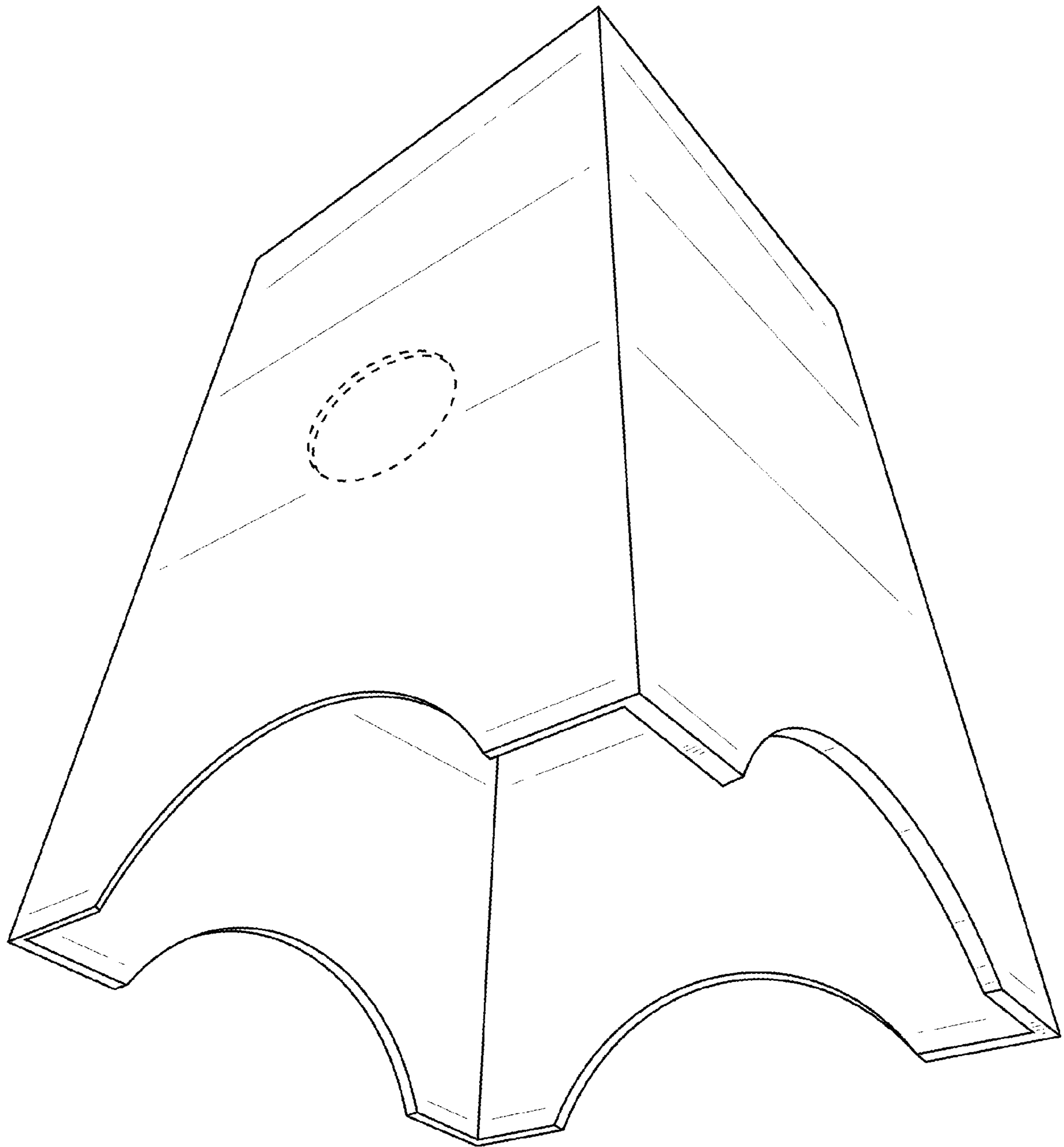


FIG. 6

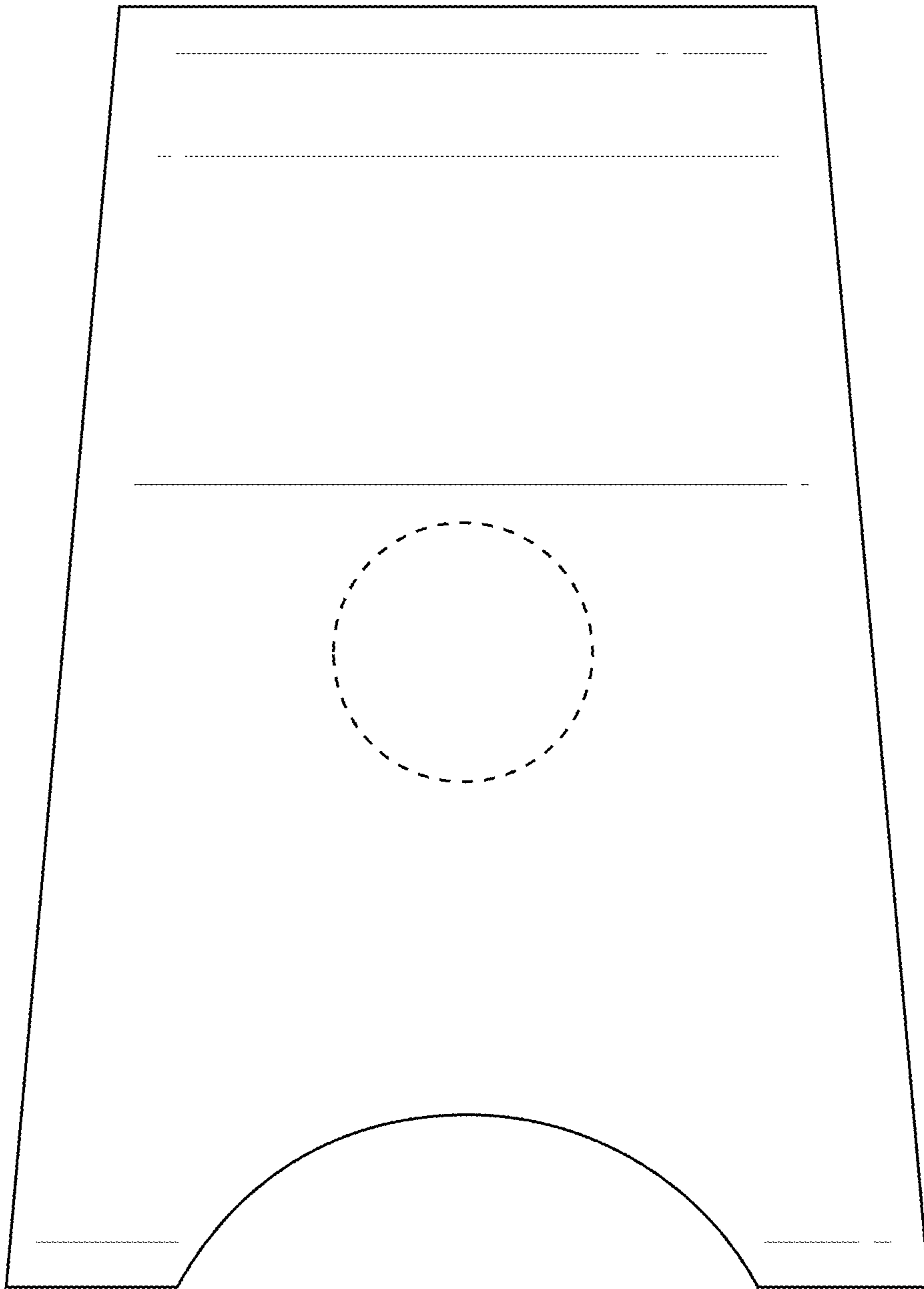


FIG. 7

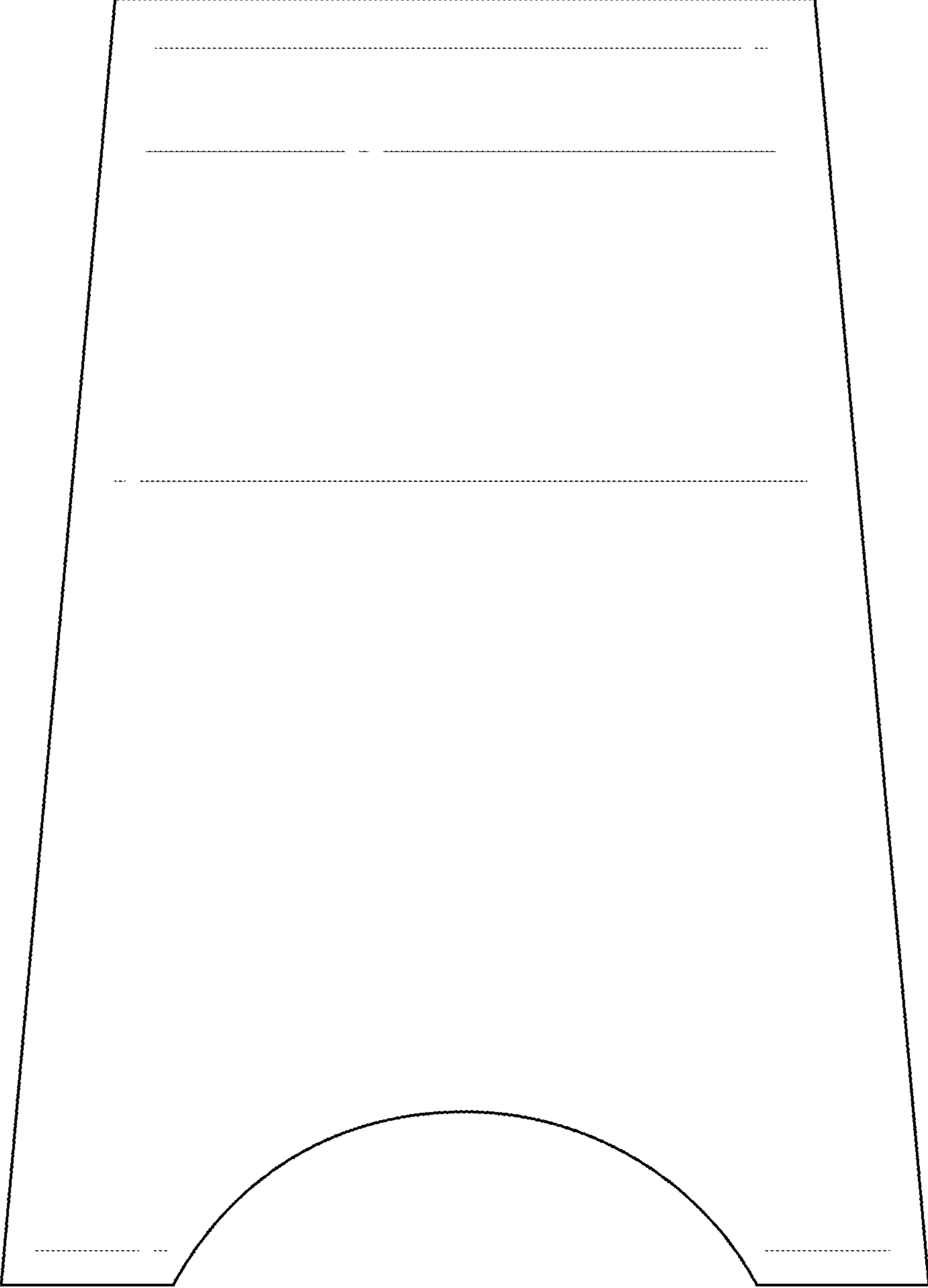


FIG. 8

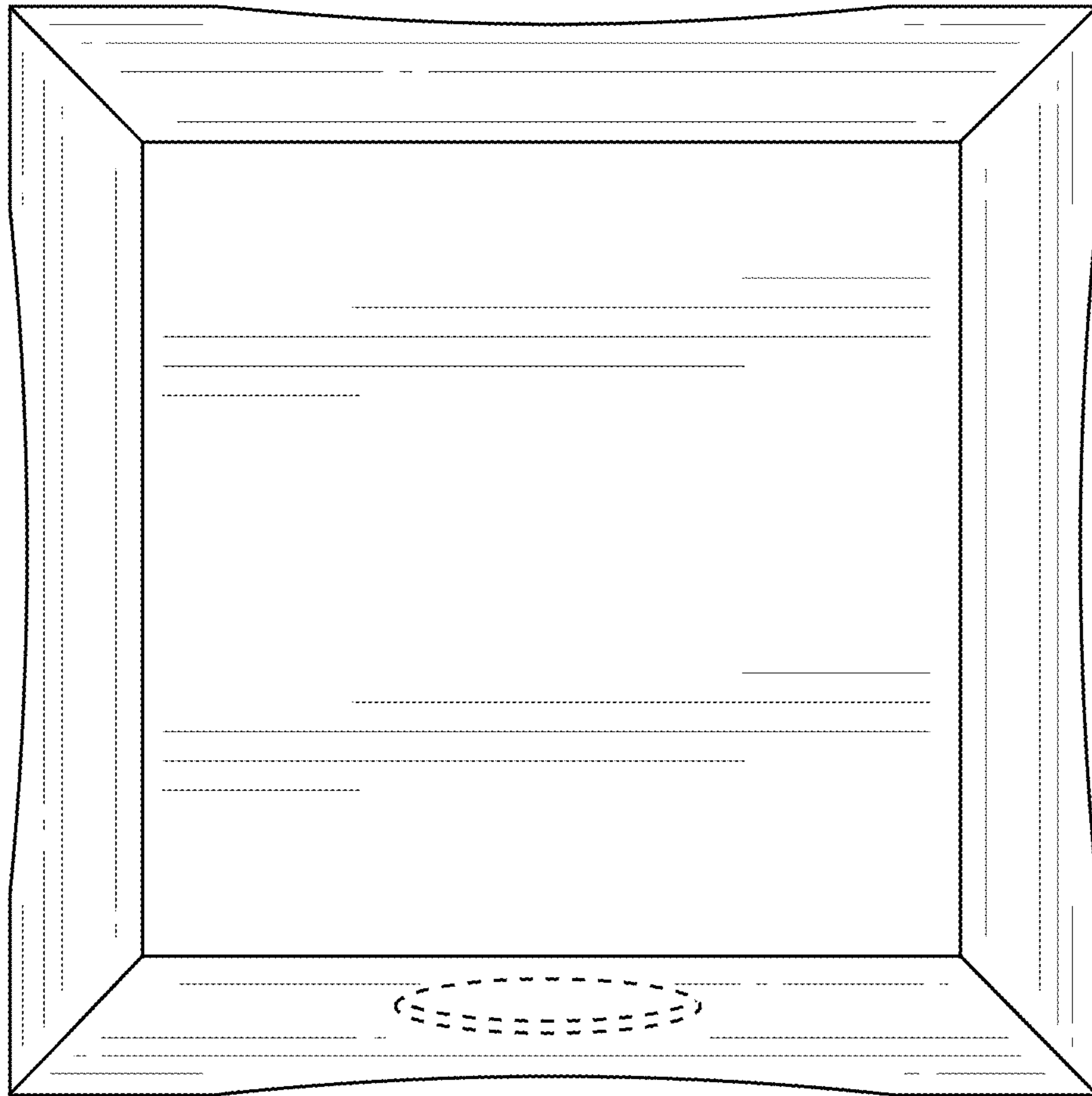


FIG. 9

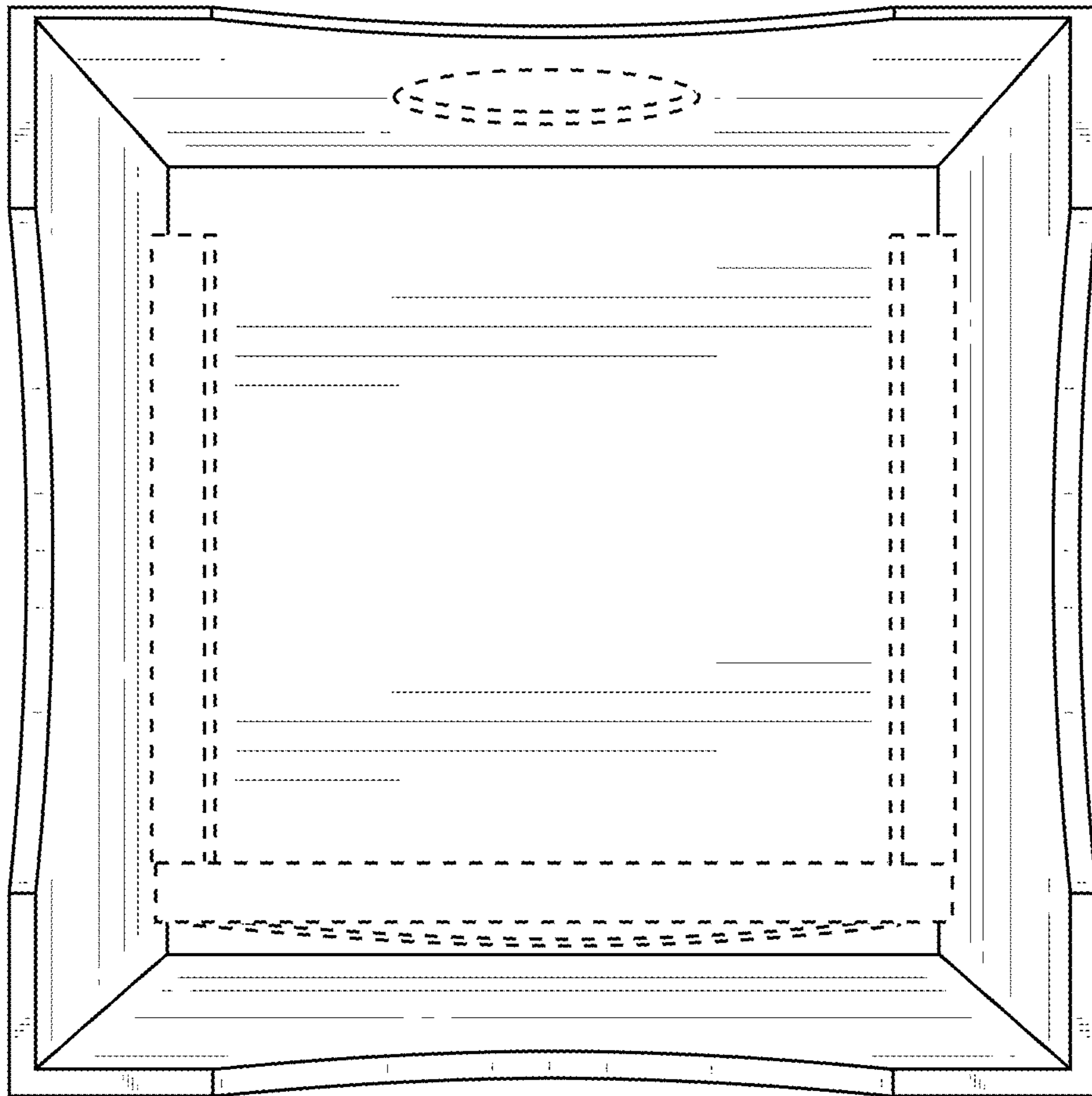


FIG. 10