



US00D950634S

(12) **United States Design Patent**  
**Fan**

(10) **Patent No.:** **US D950,634 S**

(45) **Date of Patent:** **\*\* May 3, 2022**

(54) **DETACHABLE SELFIE STICK TRIPOD**

(71) Applicant: **Baogang Fan**, Shangyu (CN)

(72) Inventor: **Baogang Fan**, Shangyu (CN)

(\*\*) Term: **15 Years**

(21) Appl. No.: **29/768,389**

(22) Filed: **Jan. 29, 2021**

(51) **LOC (13) Cl.** ..... **16-05**

(52) **U.S. Cl.**  
USPC ..... **D16/243**; D16/244

(58) **Field of Classification Search**  
USPC ..... D16/208–209, 219, 221, 225, 229,  
D16/237–250; D8/354, 355, 363, 373;  
D14/224, 229, 238, 251, 253, 447, 451,  
D14/457; D26/106  
CPC ..... A45F 5/00; A45F 5/10; A45F  
2200/0508–0533; F16M 11/06–10; F16M  
11/14; G02B 7/00–002; G02B 25/00;  
G03B 17/56; G03B 17/561–566; G03B  
21/10–116; H04N 5/2253–2254  
See application file for complete search history.

(56) **References Cited**

**U.S. PATENT DOCUMENTS**

D704,486 S *	5/2014	Cho	.....	D6/708.25
D807,421 S	1/2018	Yin		
10,612,720 B2 *	4/2020	Lin	.....	G03B 17/561
D888,814 S	6/2020	Chen		
D895,716 S *	9/2020	Chen	.....	D16/244
D900,200 S *	10/2020	Shan	.....	D16/243
D901,578 S *	11/2020	Wang	.....	D16/244

(Continued)

**OTHER PUBLICATIONS**

ELEGANT Selfie Stick Stativ EGS-08. [online] Retrieved Jan. 10, 2022 from URL: <https://www.elegiants.com/Selfie-Stick-Tripod-4->

in-1-132cm-Selfie-Stick-with-Bluetooth-Remote-1-or-4-Screw-for-Camera-Cellphone-Ring-Light-iPhone-11-PRO-XS-Max-XR-x-8s-Samsung-S20-S10-S9-Huawei-P40-P30-P20-or-ELEGANT-EGS-08-p-412092.html.\*

(Continued)

*Primary Examiner* — Vy N Koenig

(57) **CLAIM**

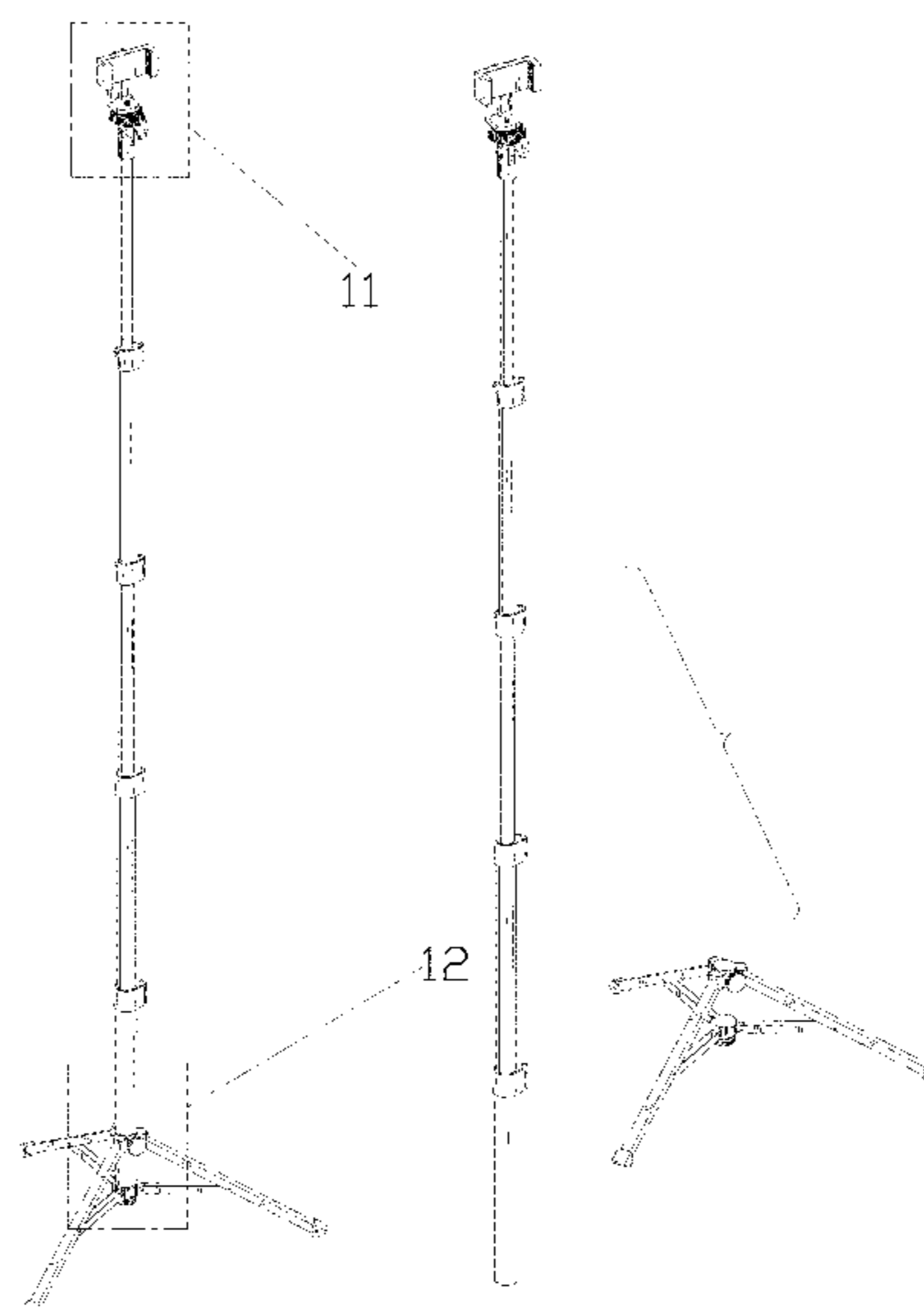
The ornamental design for a detachable selfie stick tripod, as shown and described.

**DESCRIPTION**

FIG. 1 is a perspective view of a detachable selfie stick tripod showing my new design;  
 FIG. 2 is another perspective view thereof;  
 FIG. 3 is a front elevational view thereof;  
 FIG. 4 is a rear elevational view thereof;  
 FIG. 5 is a left side elevational view thereof;  
 FIG. 6 is a right side elevational view thereof;  
 FIG. 7 is a top plan view thereof;  
 FIG. 8 is a bottom plan view thereof;  
 FIG. 9 is an exploded perspective view of the detachable selfie stick tripod;  
 FIG. 10 is a perspective view of the detachable selfie stick tripod where the detachable selfie stick tripod is in a configuration of use;  
 FIG. 11 is an enlarged view of portion 11 shown in FIG. 1;  
 FIG. 12 is an enlarged view of portion 12 shown in FIG. 1;  
 FIG. 13 is an enlarged view of portion 13 shown in FIG. 2;  
 FIG. 14 is an enlarged view of portion 14 shown in FIG. 2;  
 FIG. 15 is an enlarged view of portion 15 shown in FIG. 2;  
 FIG. 16 is an enlarged top plan view of the detachable selfie stick tripod; and,  
 FIG. 17 is an enlarged bottom plan view the detachable selfie stick tripod.

The broken lines in the drawings depict portions of the detachable selfie stick tripod that form no part of the claimed design.

**1 Claim, 17 Drawing Sheets**



(56)

**References Cited**

U.S. PATENT DOCUMENTS

D901,579	S	*	11/2020	Wang	.....	D16/244
D907,106	S	*	1/2021	Li	.....	D16/244
D909,456	S	*	2/2021	Xiao	.....	D16/244
D911,428	S	*	2/2021	Xiao	.....	D16/244
D915,495	S	*	4/2021	Zeng	.....	D16/244
D916,172	S	*	4/2021	Zeng	.....	D16/244
D917,604	S	*	4/2021	Zeng	.....	D16/244
D923,689	S	*	6/2021	Xia	.....	D16/243
D930,734	S	*	9/2021	Li	.....	D16/244

OTHER PUBLICATIONS

UBeesize 51 Extendable Tripod Stand. [online] Published on Mar. 2, 2019. Retrieved Jan. 10, 2022 from URL: <https://www.amazon.com/UBeesize-Extendable-Bluetooth-Aluminum-Lightweight/dp/B07NWC3L95>.\*

ATUMTEK 60\_ Selfie Stick Tripod. [online] Published on Apr. 9, 2021. Retrieved Dec. 15, 2021 from URL: <https://www.amazon.com/ATUMTEK-Extendable-Bluetooth-Recording-Streaming/dp/B0923WVVN4/?th=1>.\*

\* cited by examiner

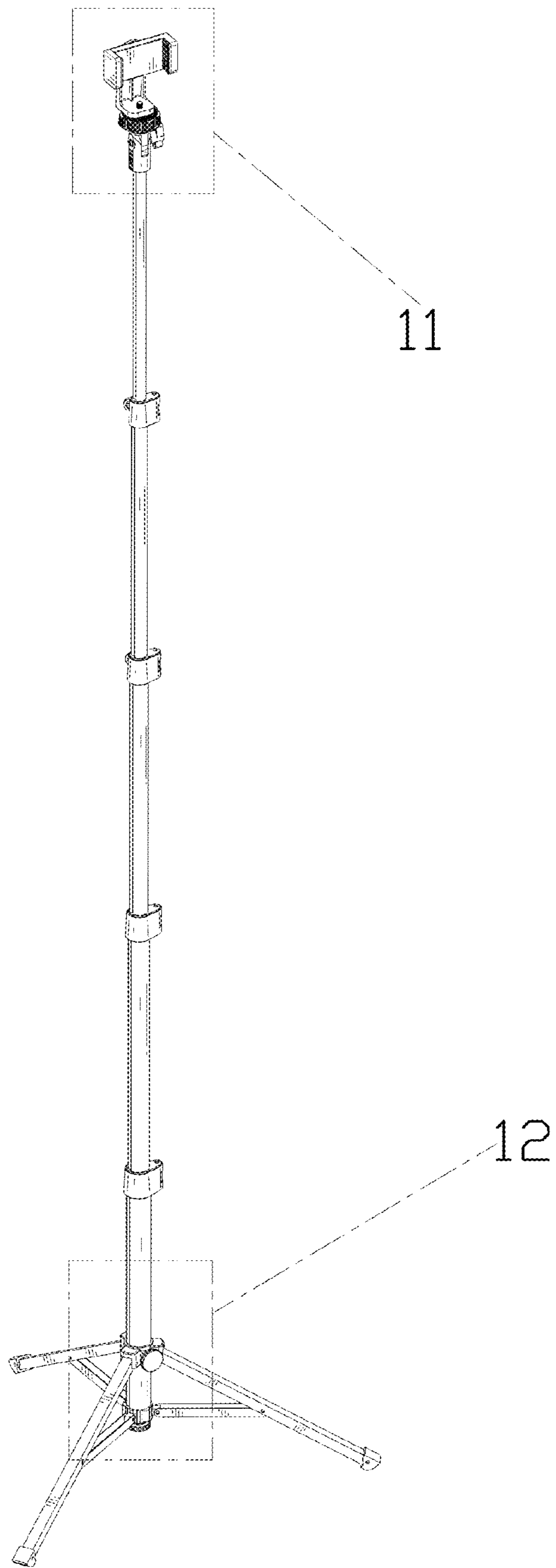


FIG. 1

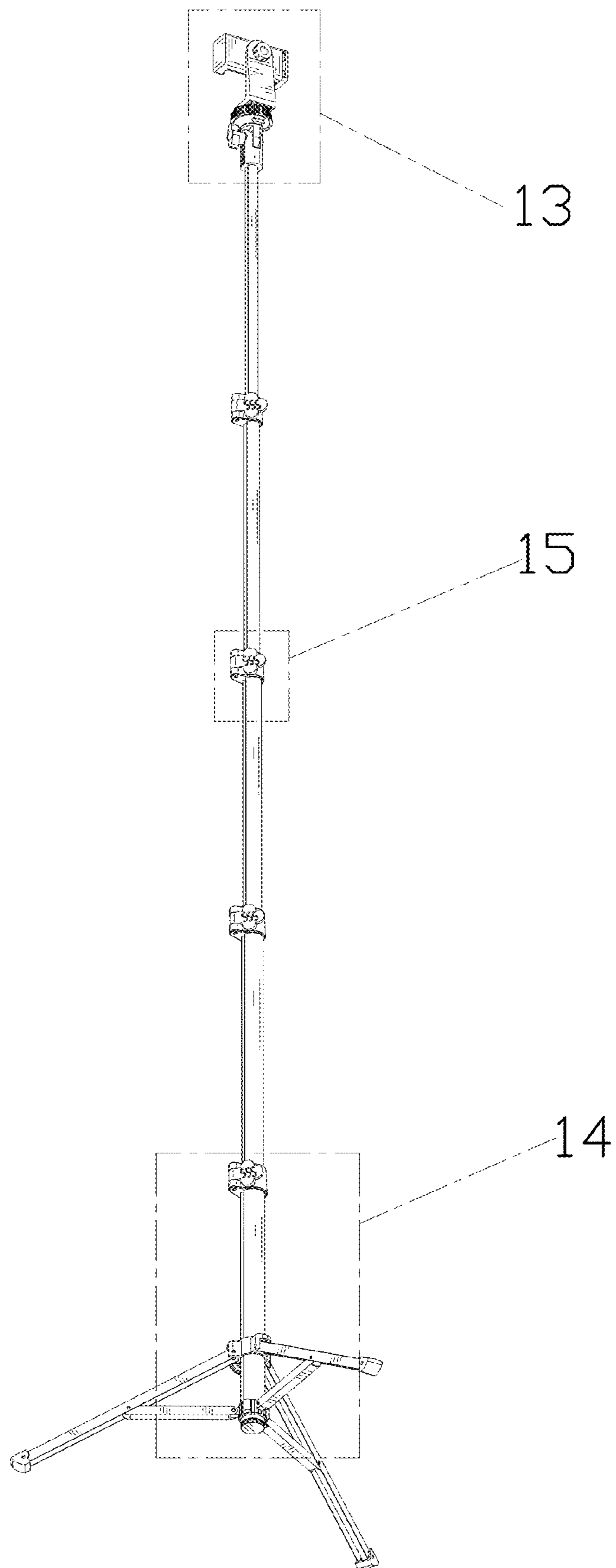


FIG. 2

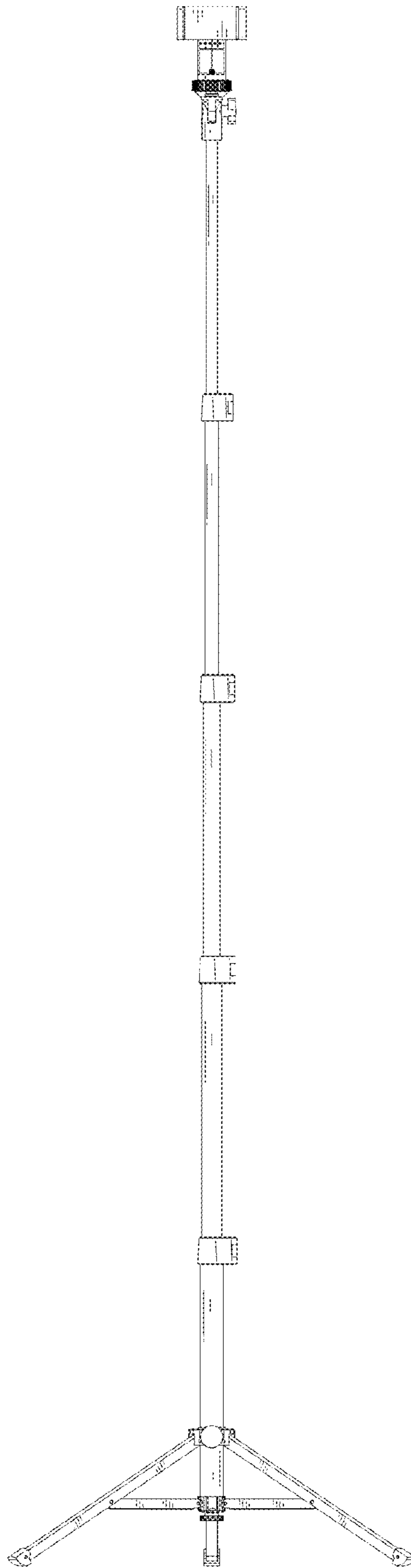


FIG. 3

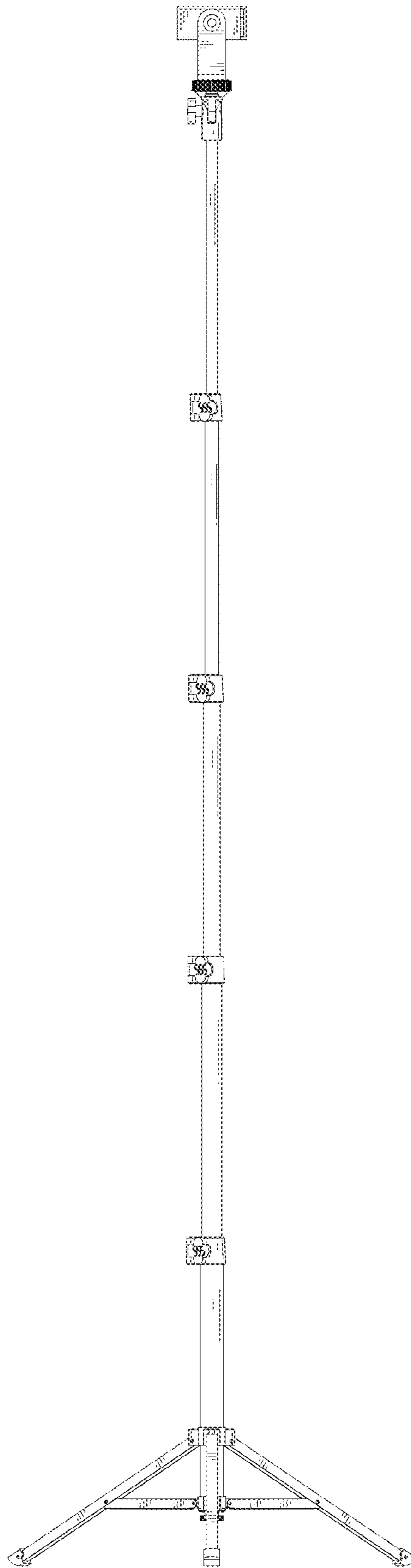


FIG. 4

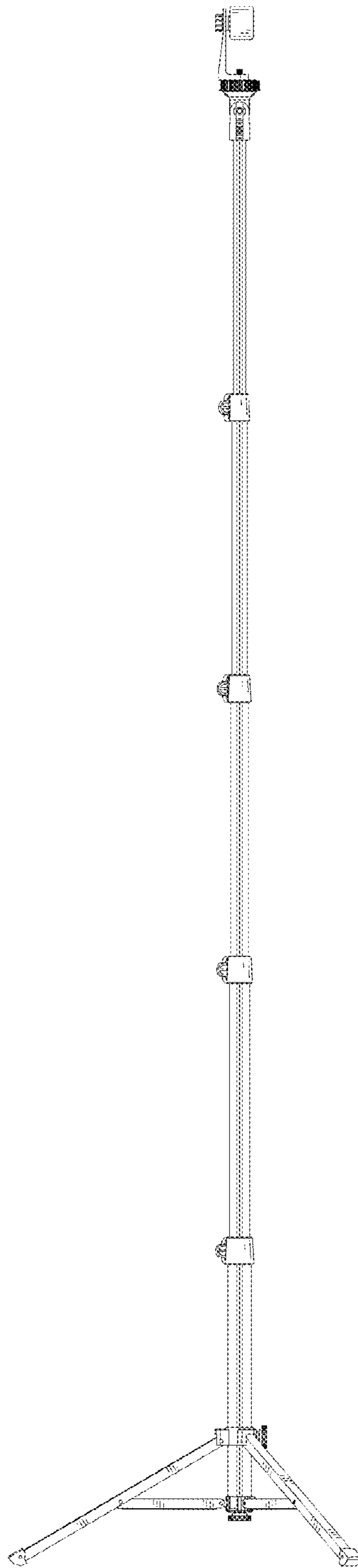


FIG. 5

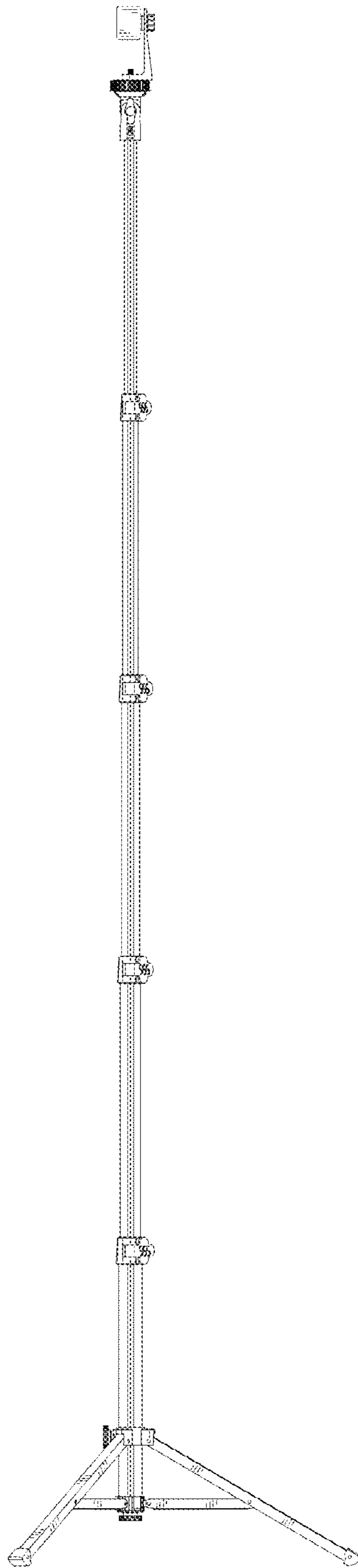


FIG. 6



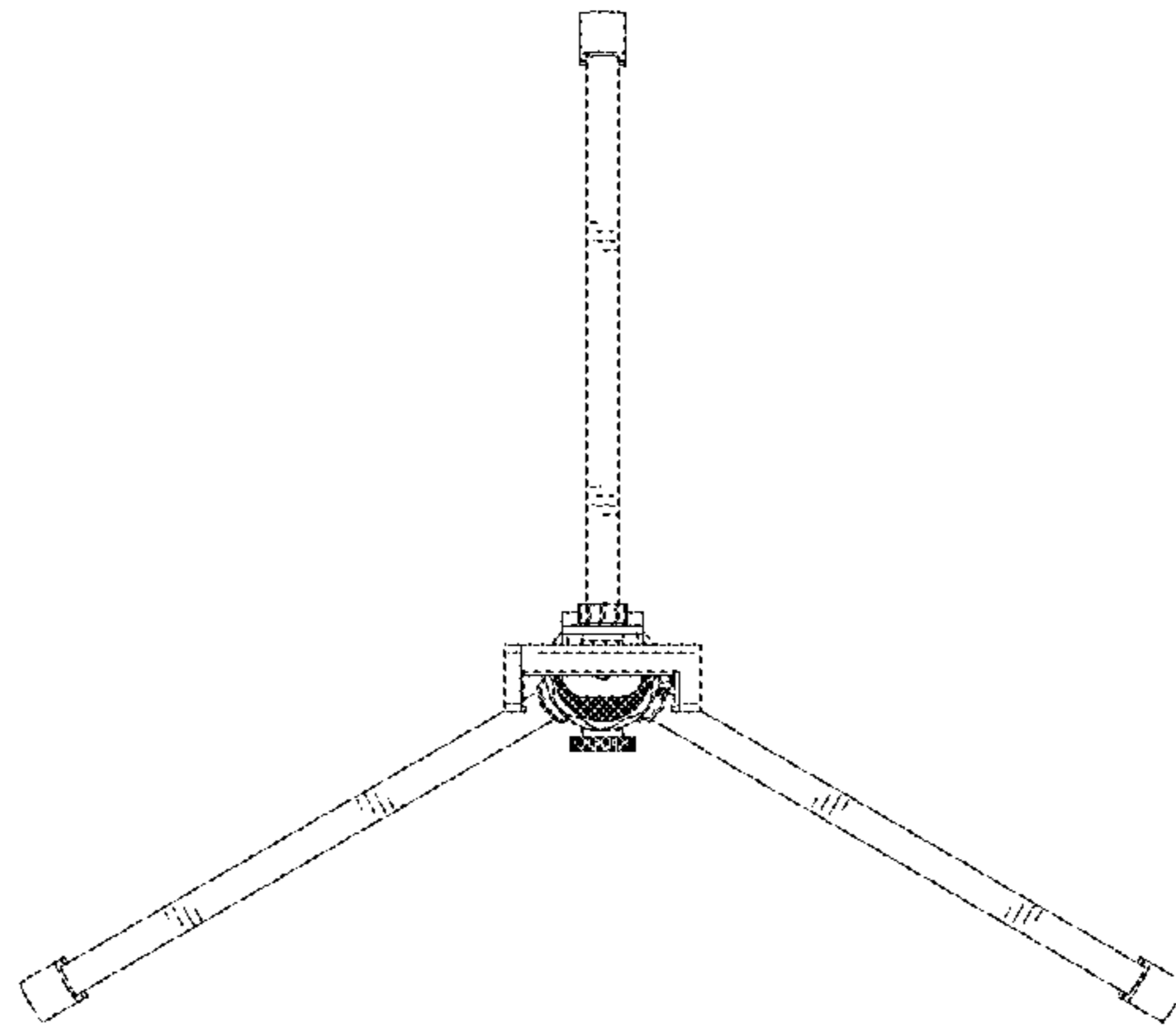


FIG. 7

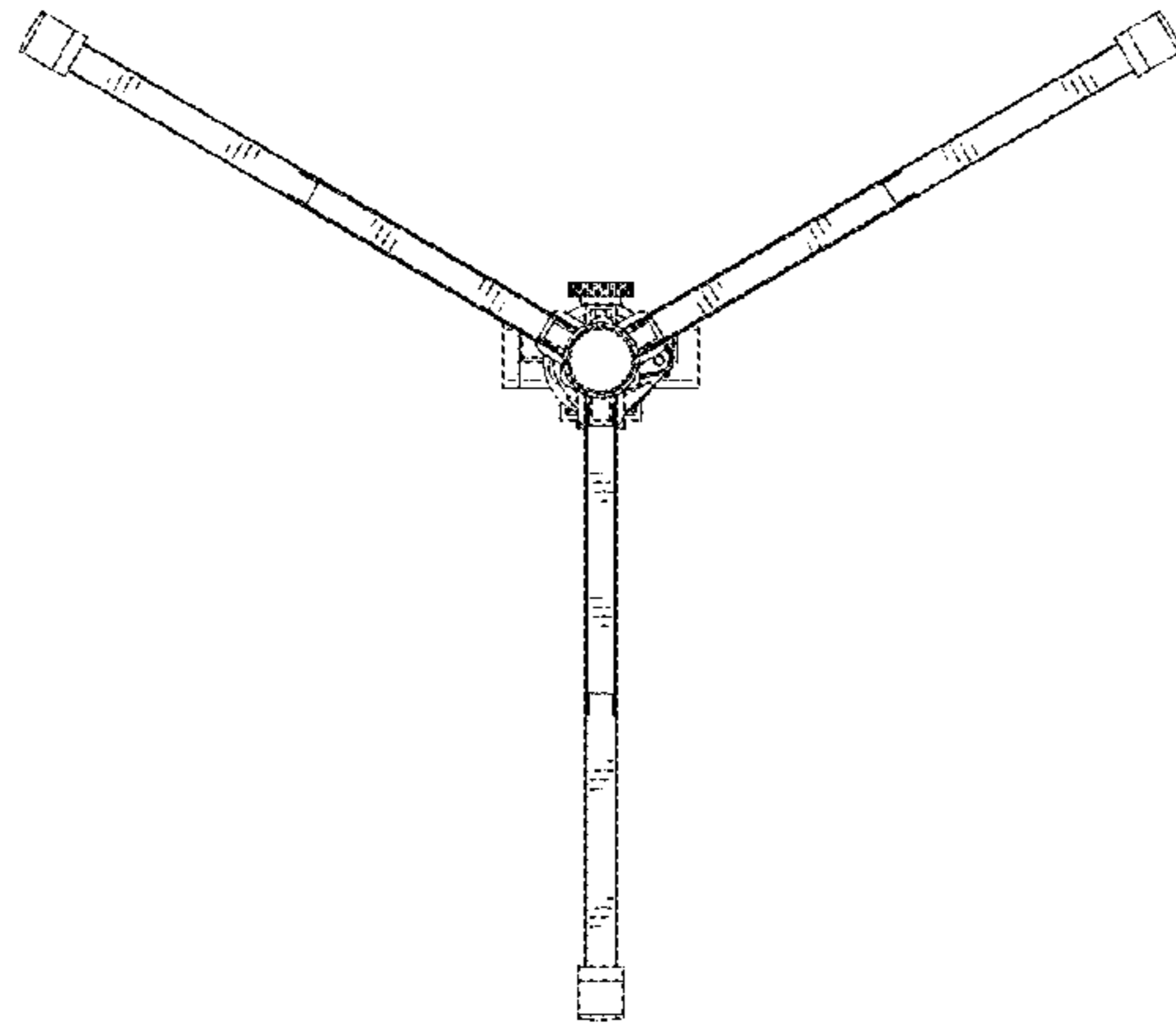


FIG. 8

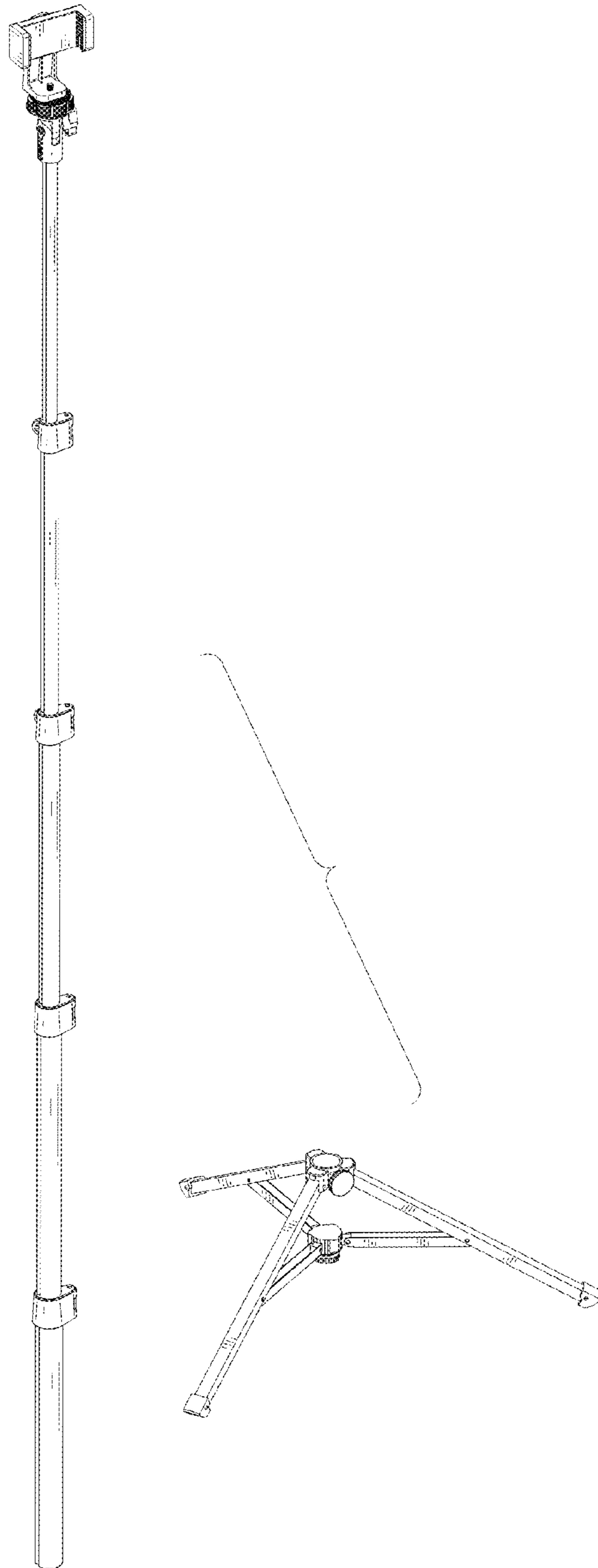


FIG. 9

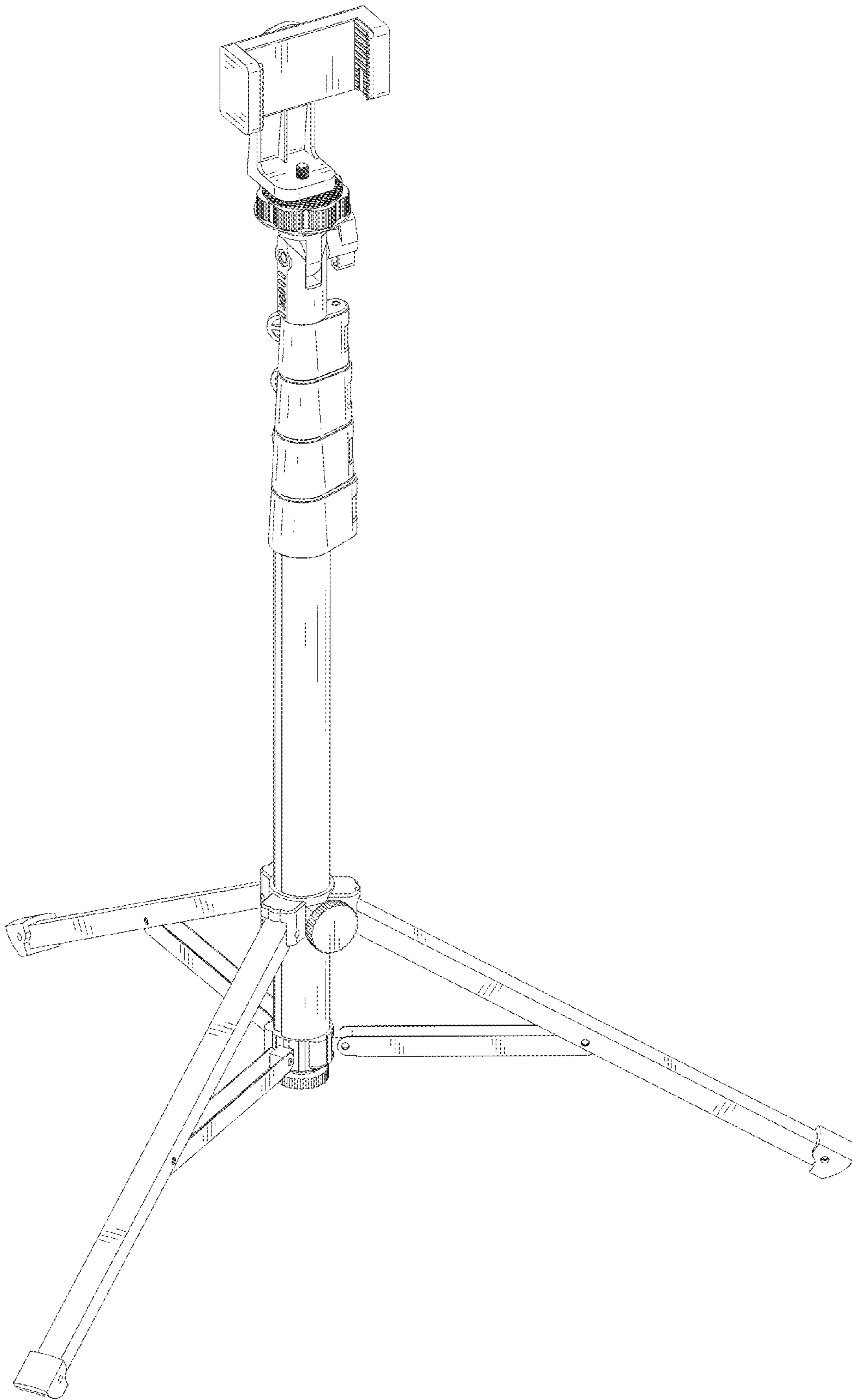


FIG. 10

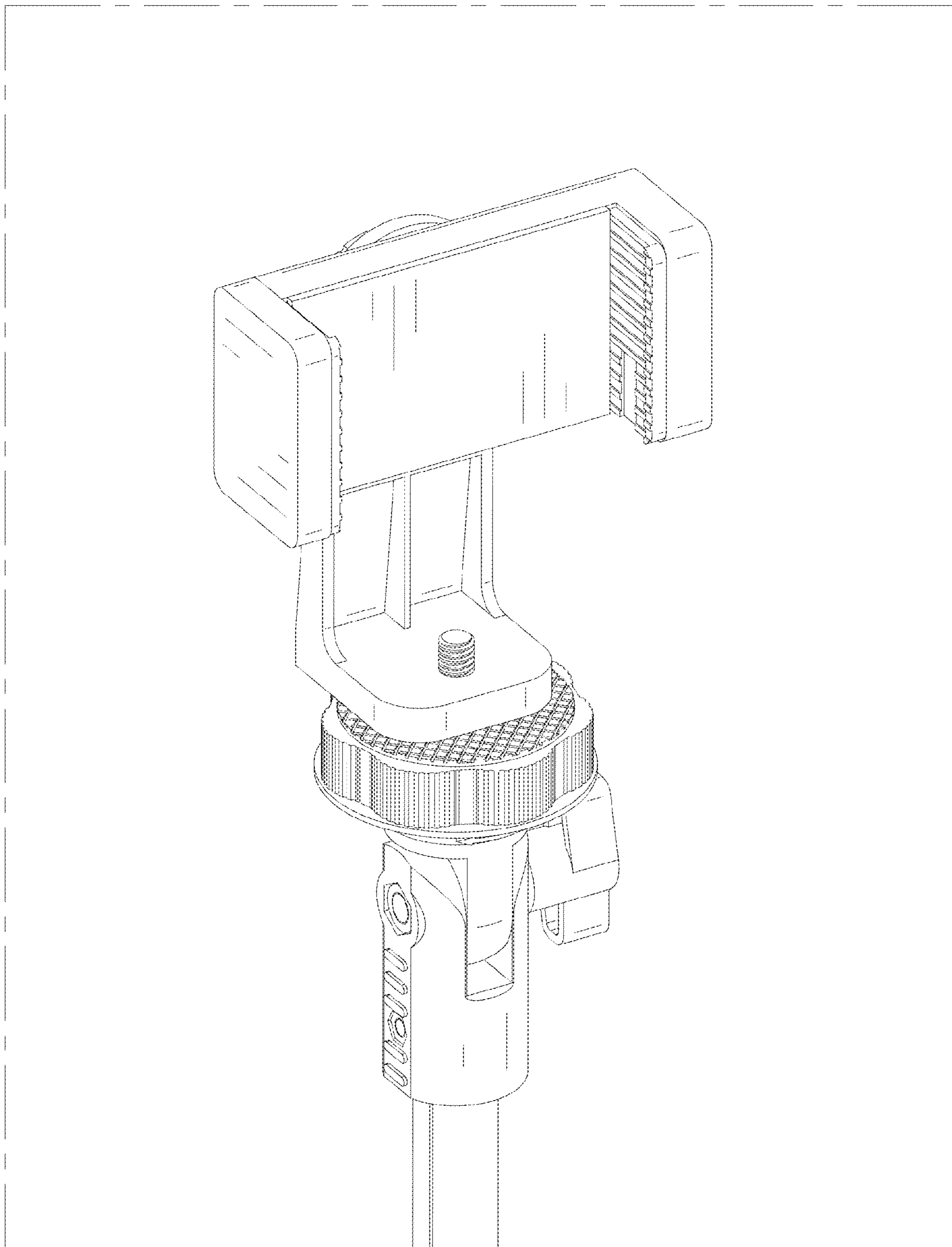


FIG. 11

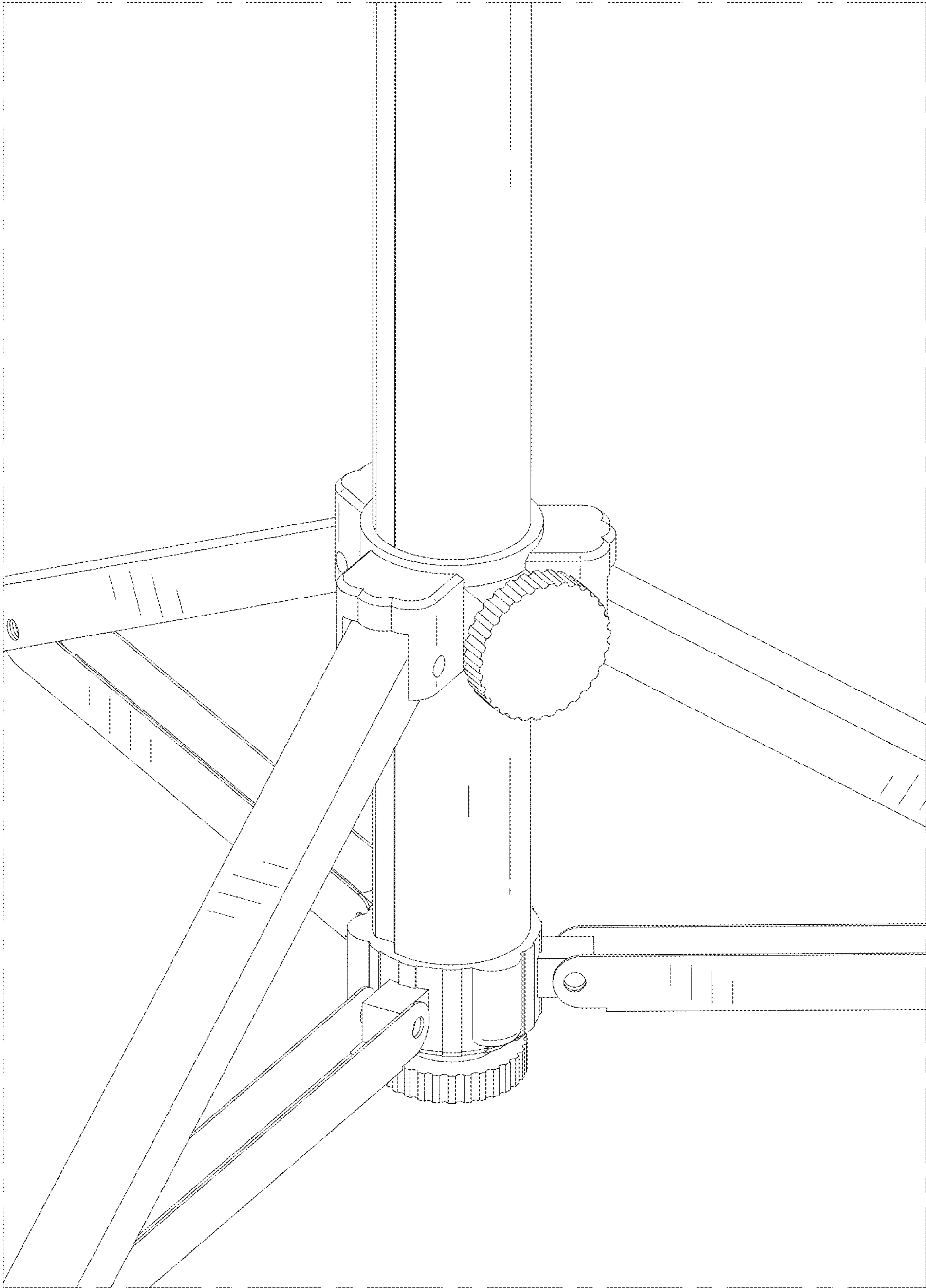


FIG. 12

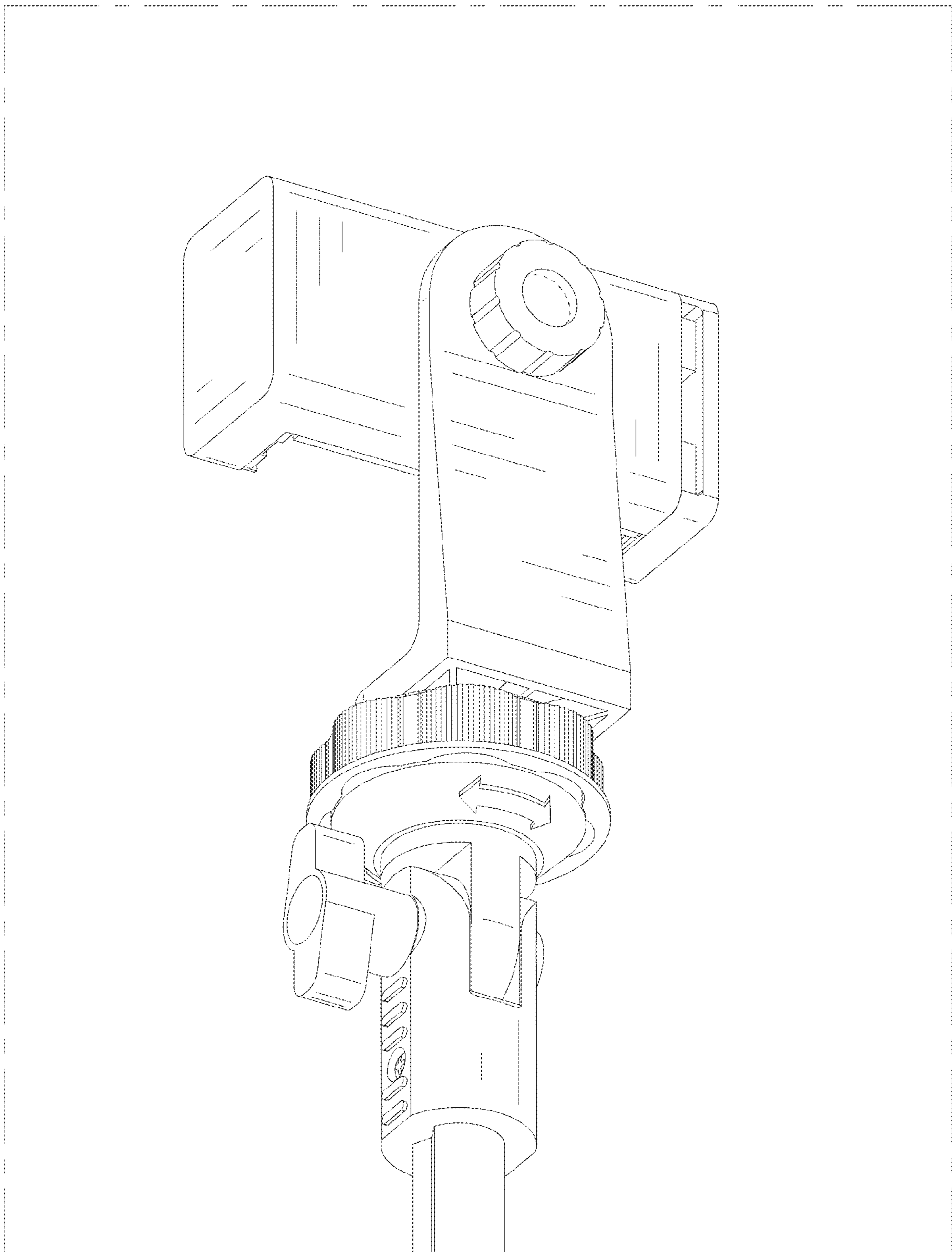


FIG. 13

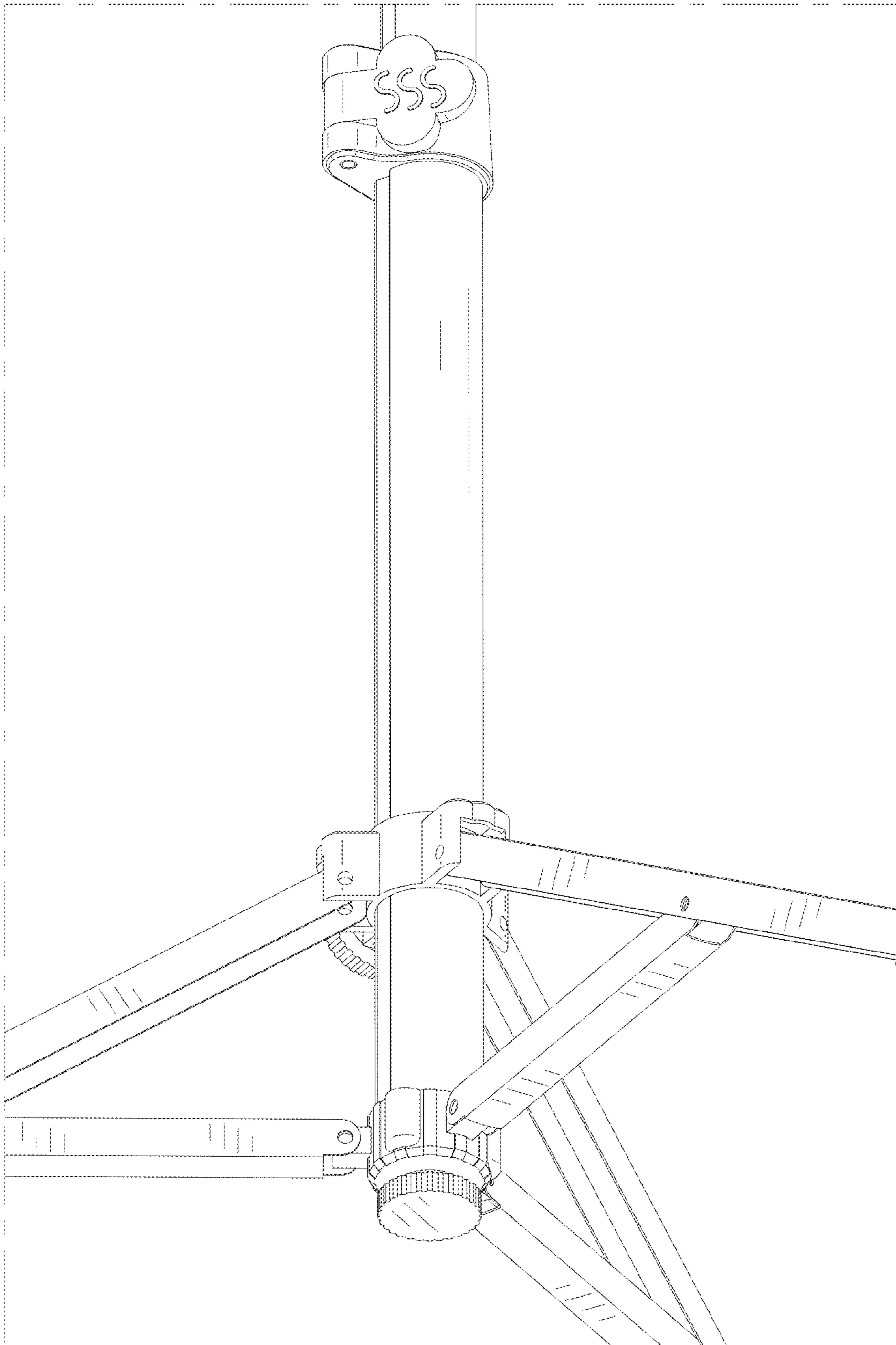


FIG. 14



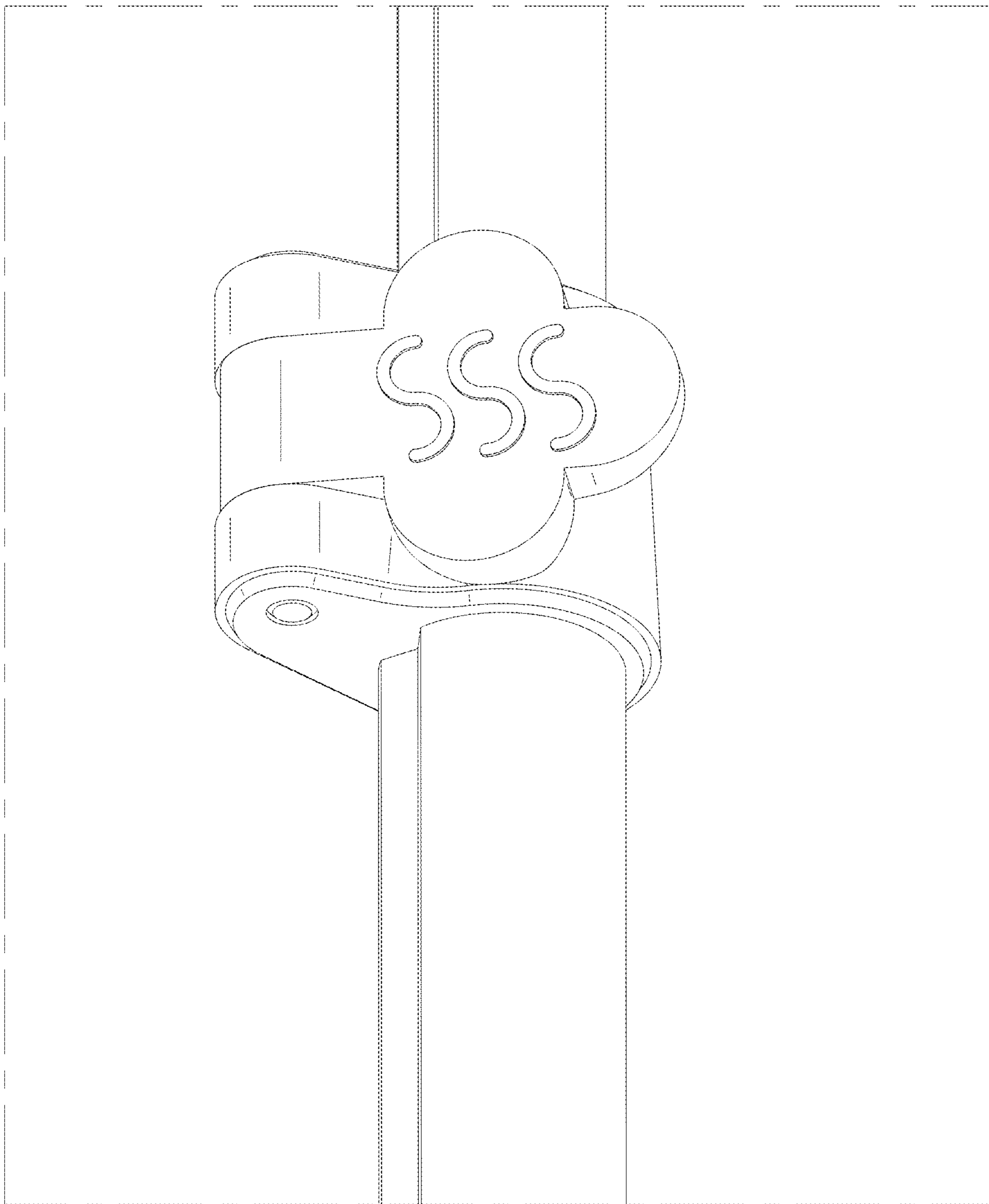


FIG. 15

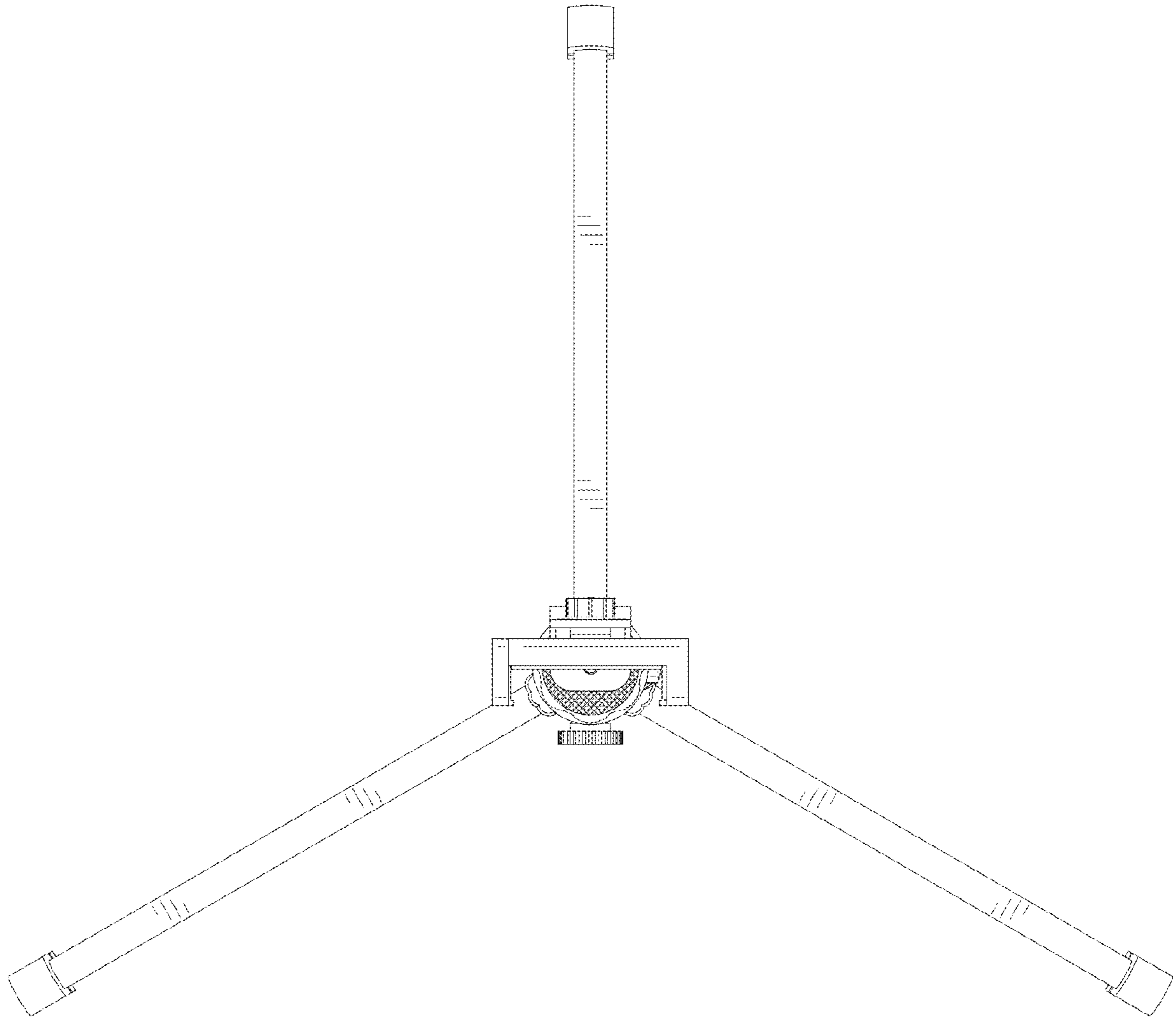


FIG. 16

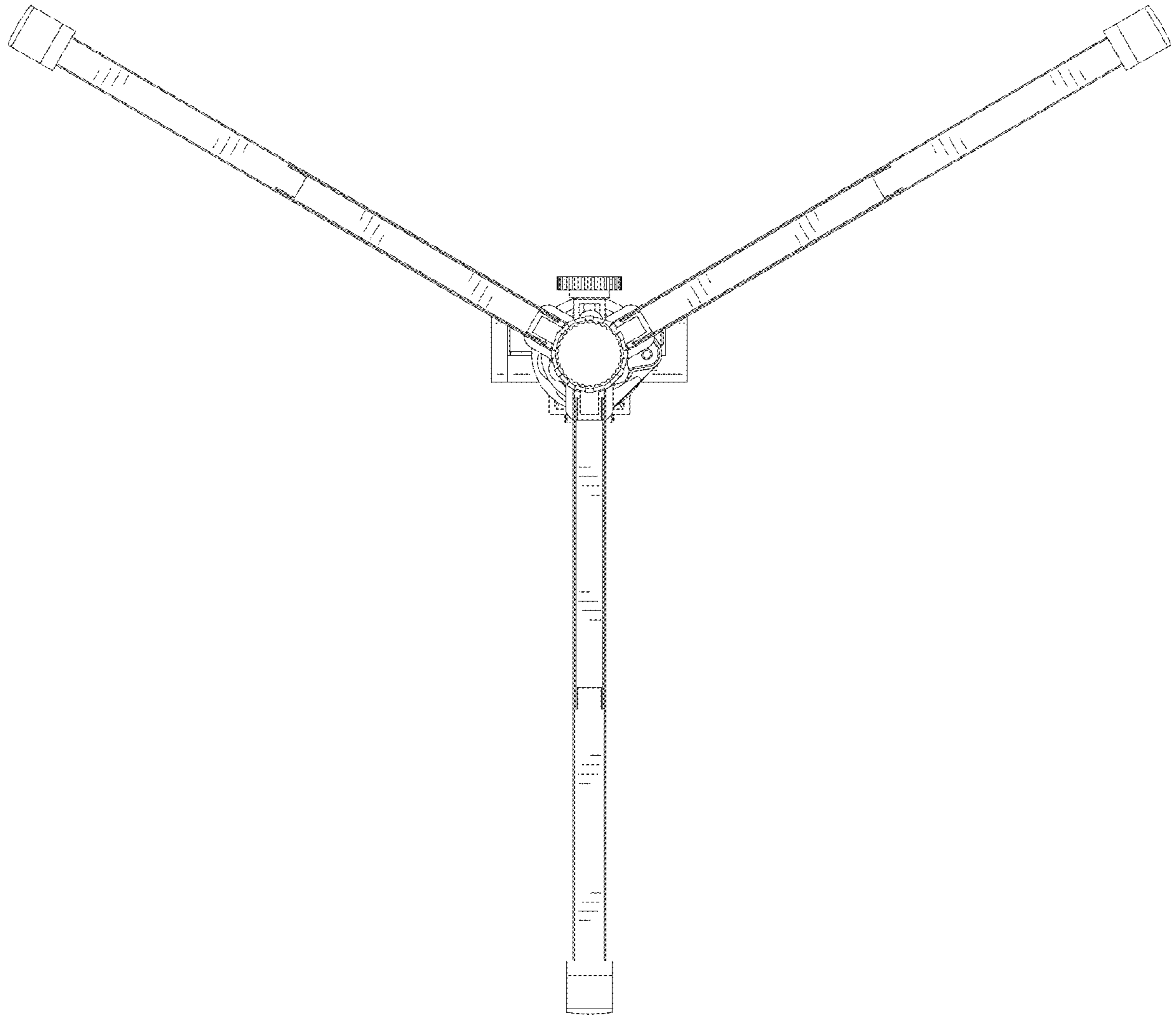


FIG. 17