



US00D950633S

(12) **United States Design Patent** (10) **Patent No.:** **US D950,633 S**  
**Esses** (45) **Date of Patent:** **\*\* May 3, 2022**

(54) **MOUNTING HEAD** D505,439 S \* 5/2005 Liiv ..... D16/202  
8,279,544 B1 \* 10/2012 O'Neill ..... G02B 13/02  
359/827  
(71) Applicant: **Premier Accessory Group LLC,** D686,265 S \* 7/2013 O'Neill ..... D16/134  
Cranbury, NJ (US) (Continued)

(72) Inventor: **Alfred Esses,** Brooklyn, NY (US)

**FOREIGN PATENT DOCUMENTS**

(73) Assignee: **PREMIER ACCESSORY GROUP LLC,** Cranbury, NJ (US)

BR 302013001048-0001 \* 8/2015  
CN 305744950 \* 4/2020

(Continued)

(\*\*) Term: **15 Years**

**OTHER PUBLICATIONS**

(21) Appl. No.: **29/727,285**

Andoer Clip on Phone Camera Lens [site visited Nov. 22, 2021]:<URL:https://www.walmart.com/ip/Andoer-Clip-on-Phone-Camera-Lens-Phone-Lens-Kit-4-in-1-Including-180-Fisheye-Lens-120-Wide-Angle-Lens-20X-Macro-Lens-2-0X-Teleph/615481505?athbdg=L1700> (Year: 2021).\*

(Continued)

(22) Filed: **Mar. 10, 2020**

(51) **LOC (13) Cl.** ..... **16-05**

(52) **U.S. Cl.**  
USPC ..... **D16/242**

(58) **Field of Classification Search**  
USPC .... D2/870, 878; D8/14, 300, 303, 306, 307, D8/321, 323, 324, 325, 349, 499; D13/183, 184, 107, 108, 109, 119, 120, D13/133, 134, 135, 139.4, 154, 156, 173; D14/313, 316, 317, 324, 341, 372, 375, D14/376, 377, 432, 203.3, 203.5, 482, D14/224, 217, 229; D16/214, 234, 235, D16/236, 242, 243, 244, 245, 250, 131, D16/132, 237, 136, 239, 240, 203.8, 194, D16/195; D21/333, 374, 385, 395, 455, D21/461, 514, 561, 804; D24/137  
CPC ..... G02B 13/02; G02B 7/002; G02B 15/10; G02B 7/14; G02B 13/001; G03B 17/14; G03B 17/565; H04N 5/2254; Y10T 29/49826

See application file for complete search history.

*Primary Examiner* — Sanjeev Paul  
*Assistant Examiner* — Loryn Korrine Leblanc  
(74) *Attorney, Agent, or Firm* — Gottlieb, Rackman & Reisman, P.C.

(57) **CLAIM**

The ornamental design for a mounting head, as shown and described.

**DESCRIPTION**

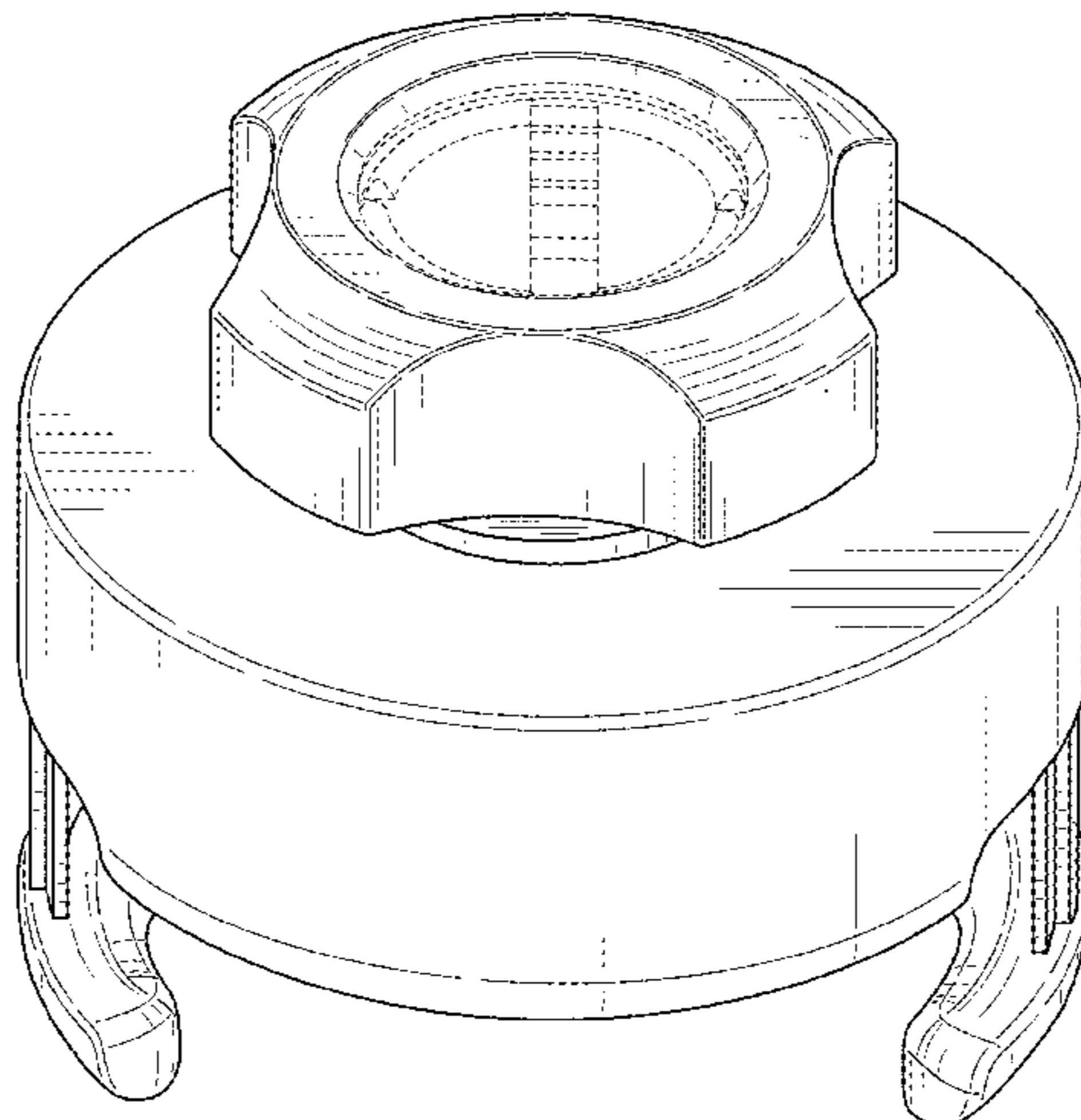
FIG. 1 is a front top perspective view of a mounting head showing my new design;  
FIG. 2 is a front elevational view of FIG. 1;  
FIG. 3 is a rear elevational view of FIG. 1;  
FIG. 4 is a right side elevational view of FIG. 1;  
FIG. 5 is a left side elevational view of FIG. 1;  
FIG. 6 is a top plan view of FIG. 1;  
FIG. 7 is a bottom plan view of FIG. 1; and,  
FIG. 8 is a rear bottom perspective view of FIG. 1.

(Continued)

(56) **References Cited**

**U.S. PATENT DOCUMENTS**

4,322,154 A \* 3/1982 Hashimoto ..... G03B 17/14  
359/828  
D443,816 S \* 6/2001 Ikeda ..... D8/396



The broken lines shown in the drawings are included for the purpose of illustrating unclaimed portions of the mounting head and form no part of the claimed design.

1 Claim, 8 Drawing Sheets

(56)

References Cited

U.S. PATENT DOCUMENTS

D723,601	S	*	3/2015	O'Neill	.....	D16/134
D727,385	S	*	4/2015	O'Neill	.....	D16/134
D761,896	S	*	7/2016	O'Neill	.....	D16/130
9,454,066	B2	*	9/2016	O'Neill	.....	H04M 1/21
10,088,738	B2	*	10/2018	O'Neill	.....	G02B 7/021
2004/0127298	A1	*	7/2004	Marsden	.....	B62H 7/00 472/1
2016/0216597	A1	*	7/2016	Lim	.....	G02B 7/14

FOREIGN PATENT DOCUMENTS

CN	306934393	*	11/2021
EM	008213680-0001	*	11/2020
KR	300698034.0000	*	6/2013

OTHER PUBLICATIONS

Google search: "cell phone attachment lens mount" [site visited Nov. 22, 2021]:[https://www.google.com/search?q=cell+phone+attachment+lens+mount&sxsrf=AOaemvLs8mS0fj0Ro-devdxnsg5n3XtKyQ:1638660710484&source=lnms&tbn=isch&sa=X&ved=2ahUKEwjwuLjspsv0AhVvkq3IEHWmtC\\_kQ\\_AUoAnoECAEQBA&biw=1200&bih=1777&dpr=1](https://www.google.com/search?q=cell+phone+attachment+lens+mount&sxsrf=AOaemvLs8mS0fj0Ro-devdxnsg5n3XtKyQ:1638660710484&source=lnms&tbn=isch&sa=X&ved=2ahUKEwjwuLjspsv0AhVvkq3IEHWmtC_kQ_AUoAnoECAEQBA&biw=1200&bih=1777&dpr=1) (Year: 2021), <URL:[https://www.google.com/search?q=cell+phone+attachment+lens+mount&tbn=isch&ved=2ahUKEwjAqc7U46z0AhUuA1kFHcpOA7IQ2-cCegQIABAA&oq=cell+phone+attachment+lens+mount&gs\\_lcp=CgNpbWcQA1DTBFj1C2CxDWgAcAB4AIABeYgBvQWSAQM1LjKYAQCgAQGqAQtd3Mtd2l6LWI%27>](https://www.google.com/search?q=cell+phone+attachment+lens+mount&tbn=isch&ved=2ahUKEwjAqc7U46z0AhUuA1kFHcpOA7IQ2-cCegQIABAA&oq=cell+phone+attachment+lens+mount&gs_lcp=CgNpbWcQA1DTBFj1C2CxDWgAcAB4AIABeYgBvQWSAQM1LjKYAQCgAQGqAQtd3Mtd2l6LWI%27>) (Year: 2021).\*

Google search: "car air conditioning mounting clip" [site visited Nov. 22, 2021]:<URL:<https://www.google.com/search?q=car+air+conditioning+mounting+clip&tbn=isch&ved=2ahUKEwisxJLU36z0AhWZGFkFHS9UCiEQ2-cCegQIABAA%E2%80%A6>> (Year: 2021).\*

\* cited by examiner

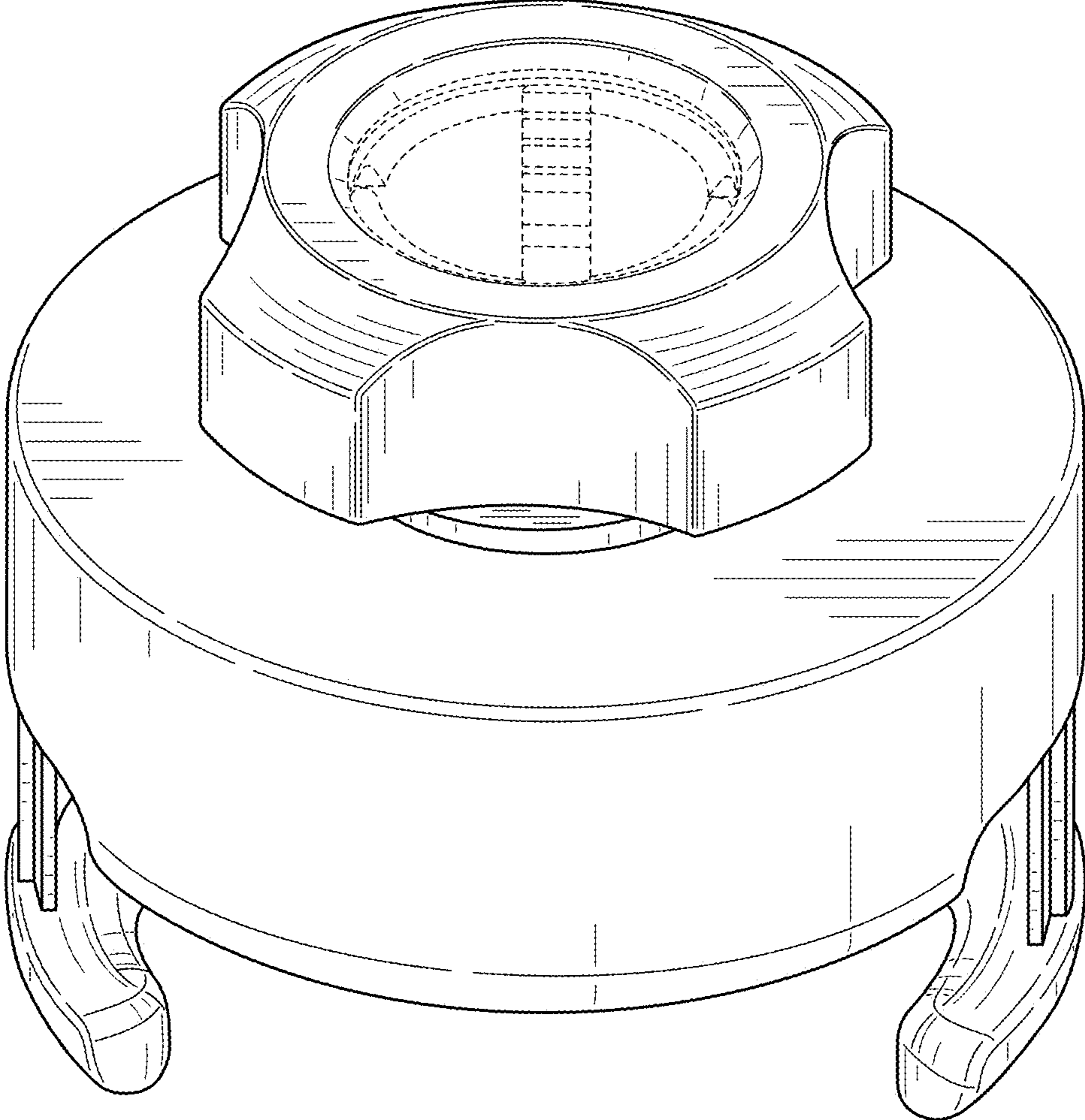


FIG. 1

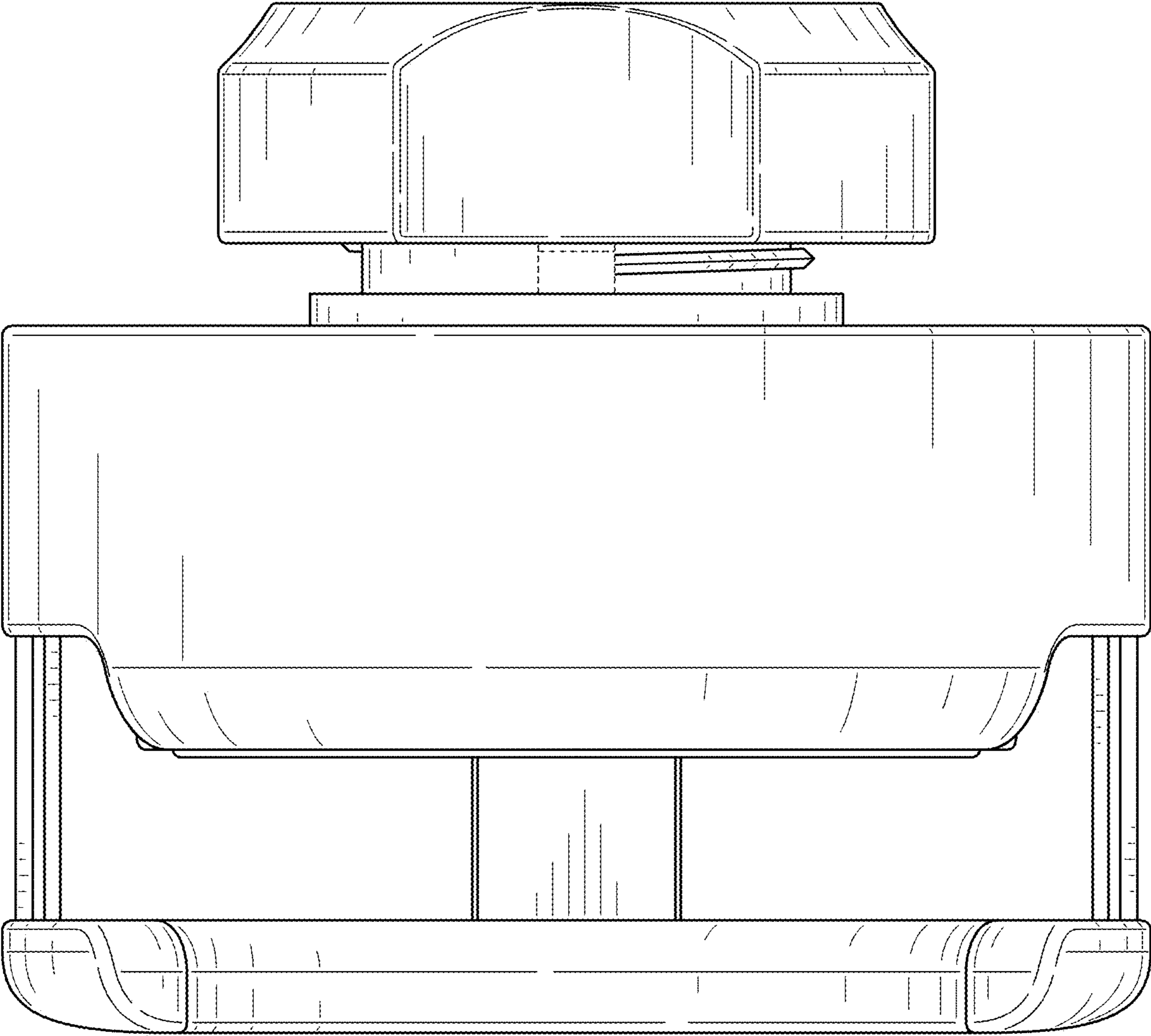


FIG. 2



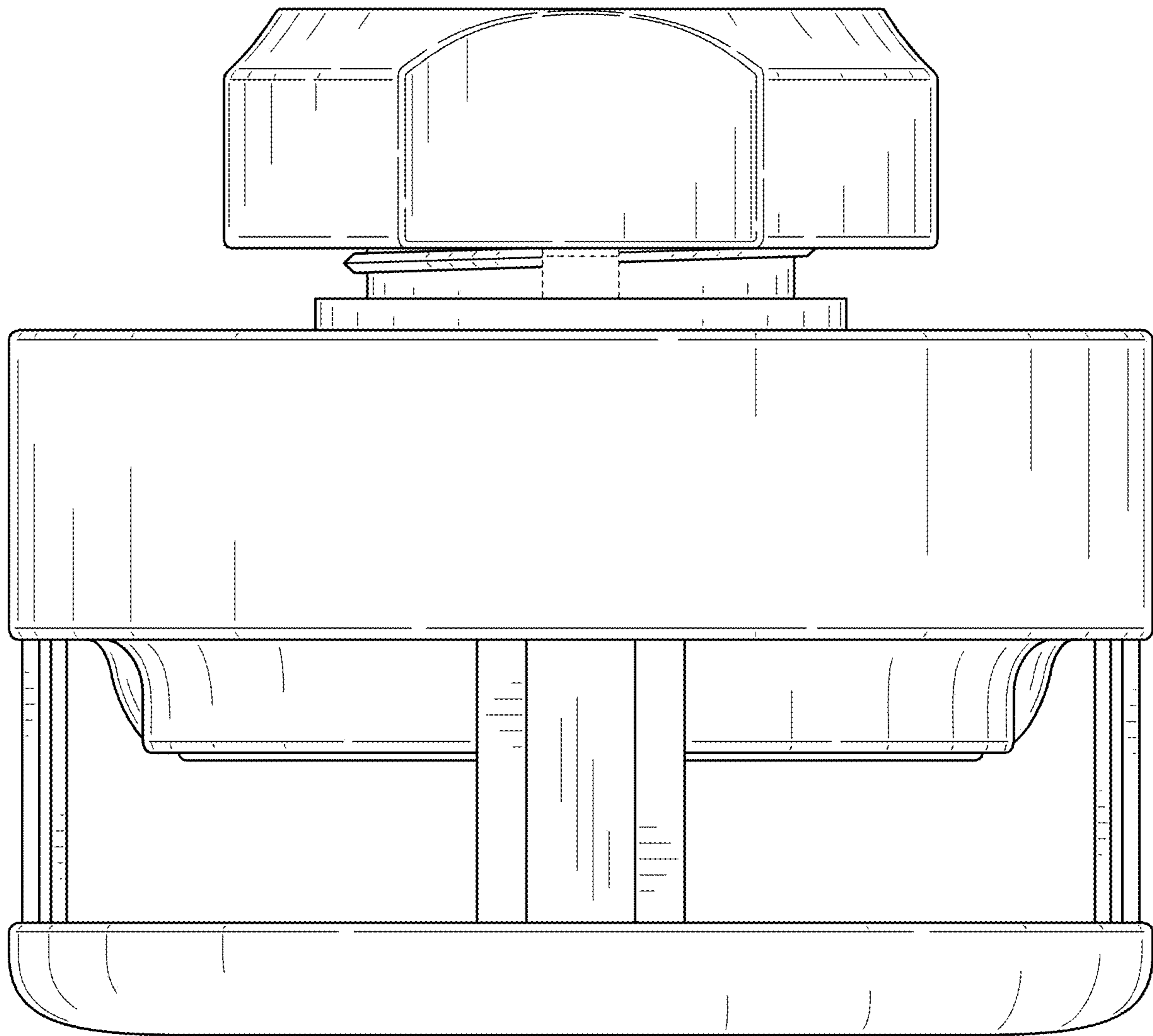


FIG. 3

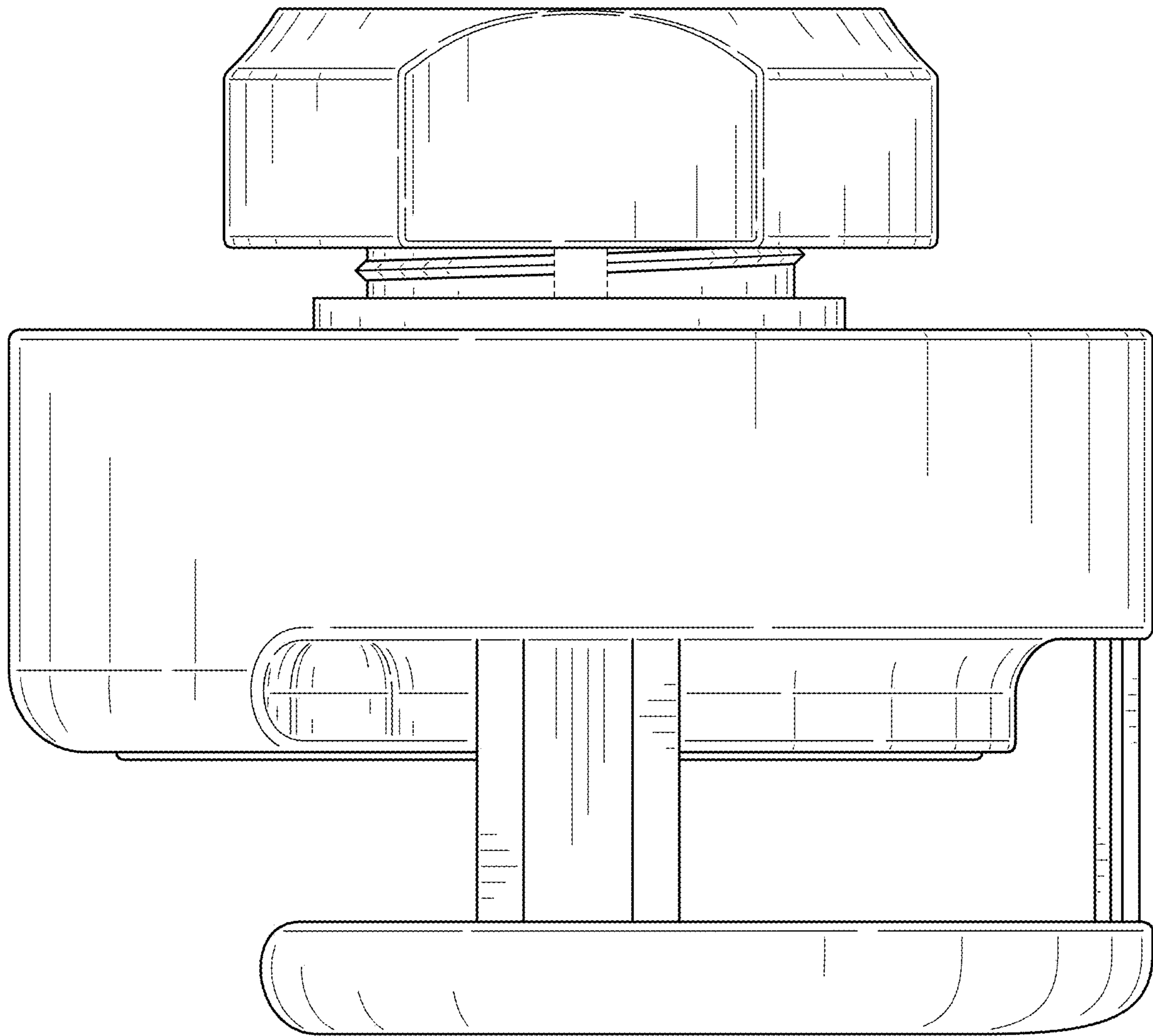


FIG. 4

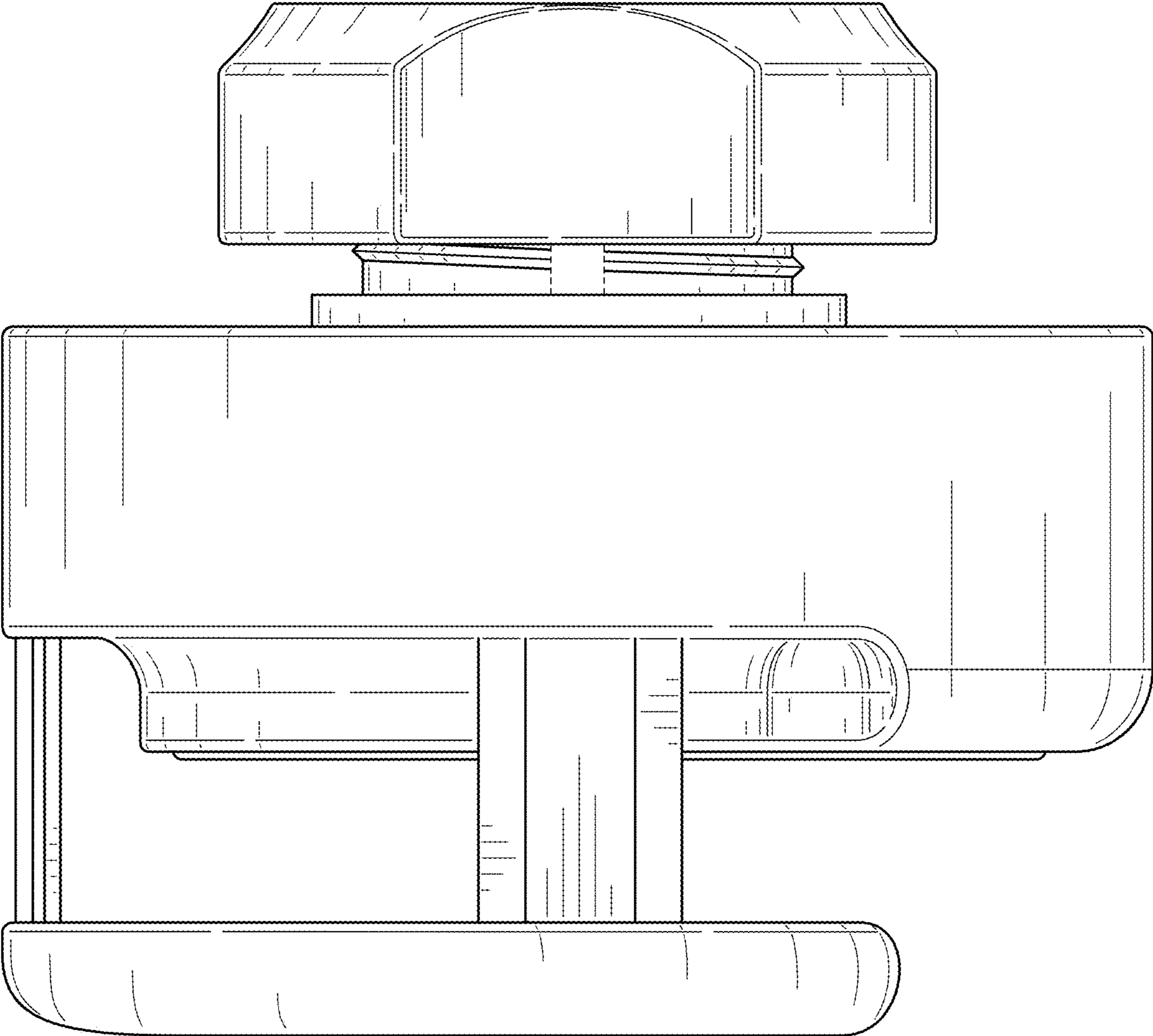


FIG. 5

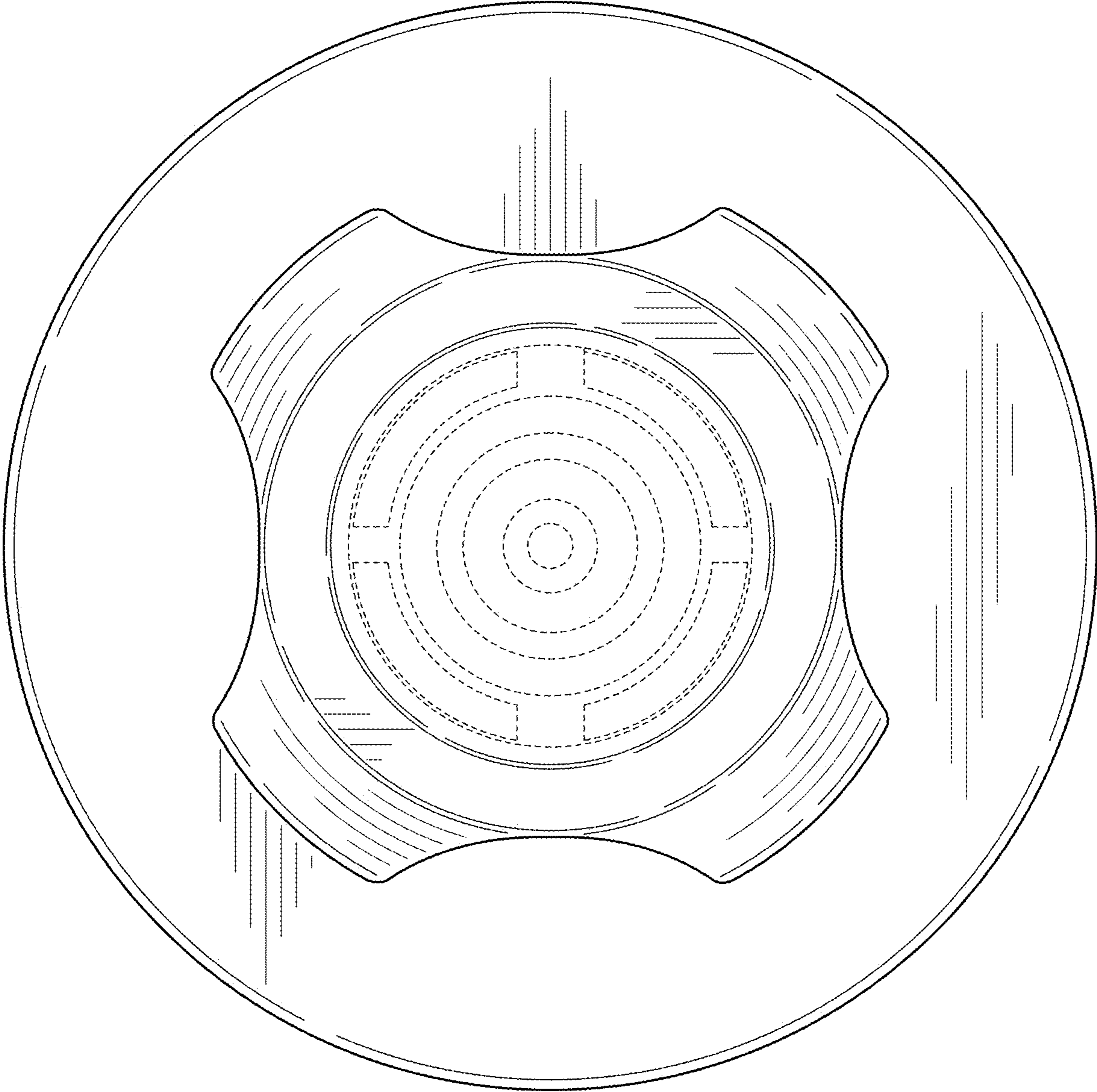


FIG. 6



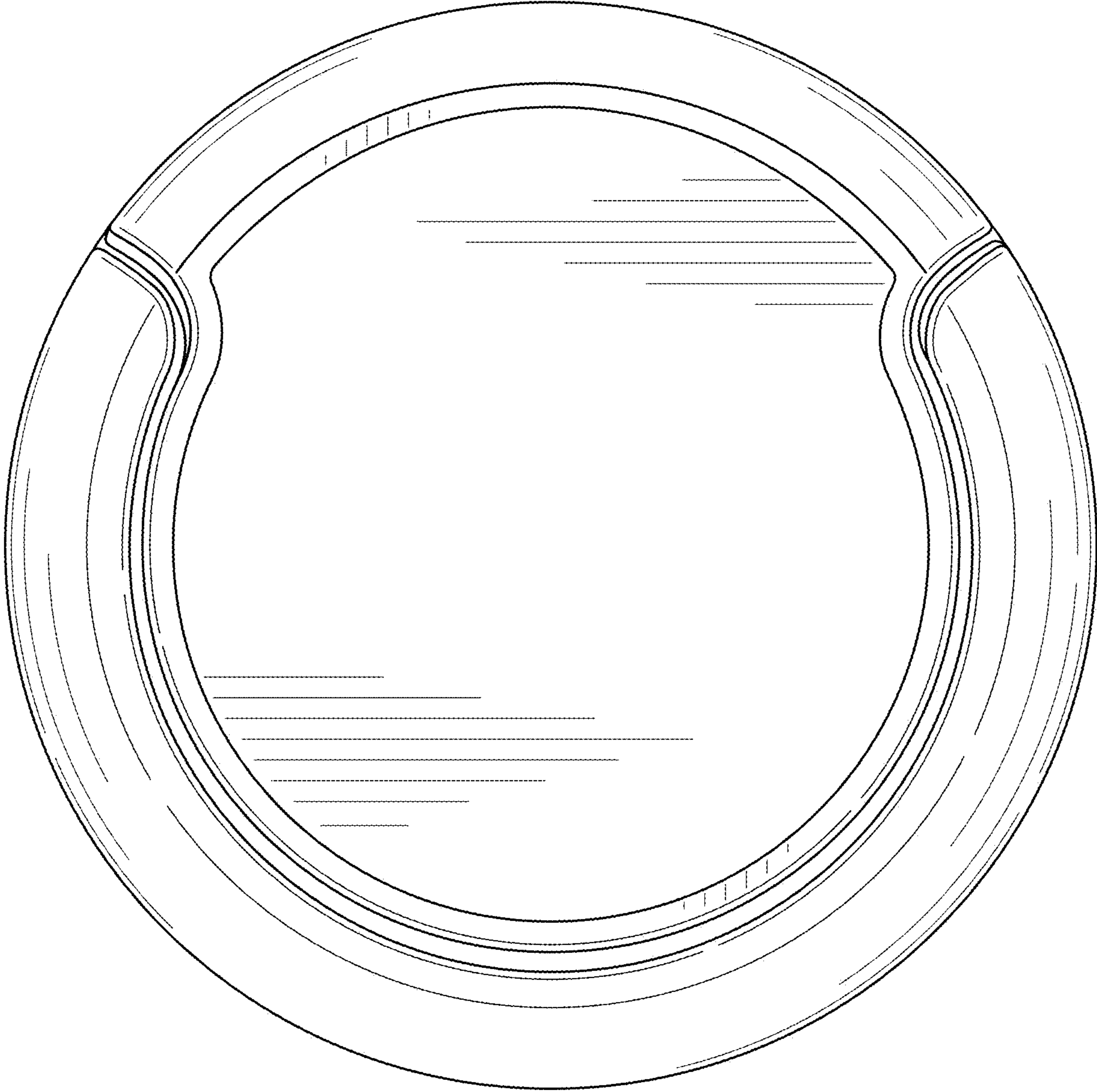


FIG. 7

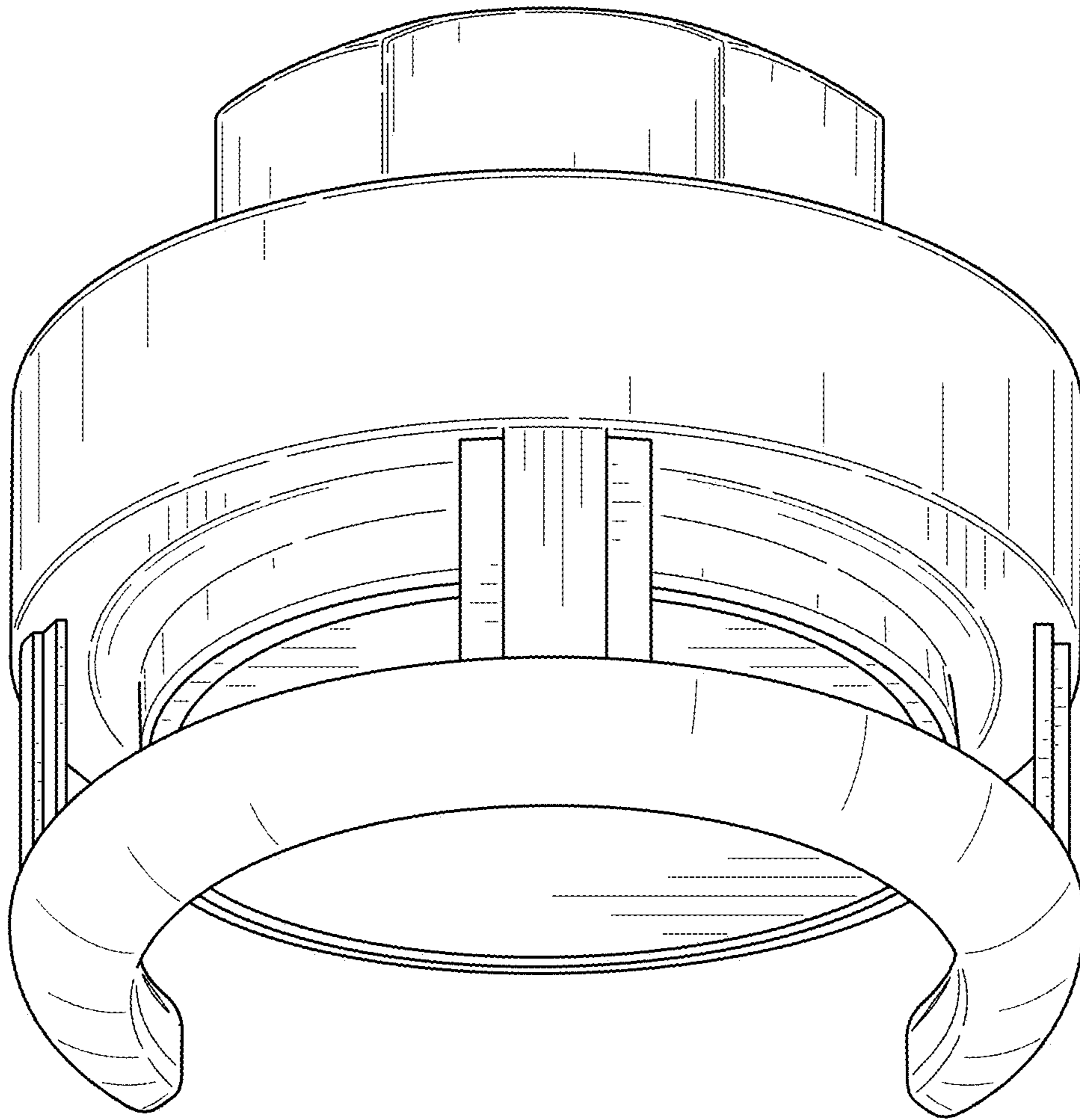


FIG. 8