



US00D950632S

(12) **United States Design Patent**  
**Miyamoto et al.**

(10) **Patent No.:** **US D950,632 S**

(45) **Date of Patent:** **\*\* May 3, 2022**

(54) **ATTACHMENT FOR SMART DEVICE**

(71) Applicant: **The Procter & Gamble Company**,  
Cincinnati, OH (US)

(72) Inventors: **Kukizo Miyamoto**, Ashiya (JP);  
**Tatsuya Omotezako**, Nishinomiya (JP)

(73) Assignee: **The Procter and Gamble Company**,  
Cincinnati, OH (US)

(\*\*) Term: **15 Years**

(21) Appl. No.: **29/695,446**

(22) Filed: **Jun. 19, 2019**

(30) **Foreign Application Priority Data**

Dec. 19, 2018 (CN) ..... 201830738246.8

Dec. 19, 2018 (WO) ..... WIPO78443

(51) **LOC (13) Cl.** ..... **16-05**

(52) **U.S. Cl.**  
USPC ..... **D16/237**

(58) **Field of Classification Search**

USPC ..... D16/208–209, 219, 237–250; D8/354,  
D8/355, 363, 373, 382–383, 394–396;  
D14/224, 229, 238, 251, 253, 447, 451,  
D14/457

CPC ..... A45F 5/00; A45F 5/10; A45F  
2200/0508–0533; F16M 11/06–10; F16M  
11/14; G02B 7/00–002; G03B 17/56;  
G03B 17/561–566; H04N 5/2253–2254

See application file for complete search history.

(56) **References Cited**

**U.S. PATENT DOCUMENTS**

D312,471 S \* 11/1990 Couch ..... D16/237  
D417,681 S \* 12/1999 Hayashi ..... D16/134  
D515,611 S \* 2/2006 Sato ..... D16/134

D605,217 S \* 12/2009 Kobre ..... D16/237  
D775,257 S \* 12/2016 Holbrook ..... D16/219  
D795,943 S \* 8/2017 Mitchell ..... D16/203  
D810,178 S \* 2/2018 Miyamoto ..... D16/237  
D817,382 S \* 5/2018 Roth ..... D16/242  
D821,482 S \* 6/2018 Bacon ..... D16/237  
D852,870 S \* 7/2019 Medlen ..... D16/219  
D855,100 S \* 7/2019 Southwood ..... D16/250  
D857,784 S \* 8/2019 Gustavsson ..... D16/237  
D859,500 S \* 9/2019 Moncino ..... D16/219

(Continued)

*Primary Examiner* — Vy N Koenig

(74) *Attorney, Agent, or Firm* — Alexandra S. Anoff

(57) **CLAIM**

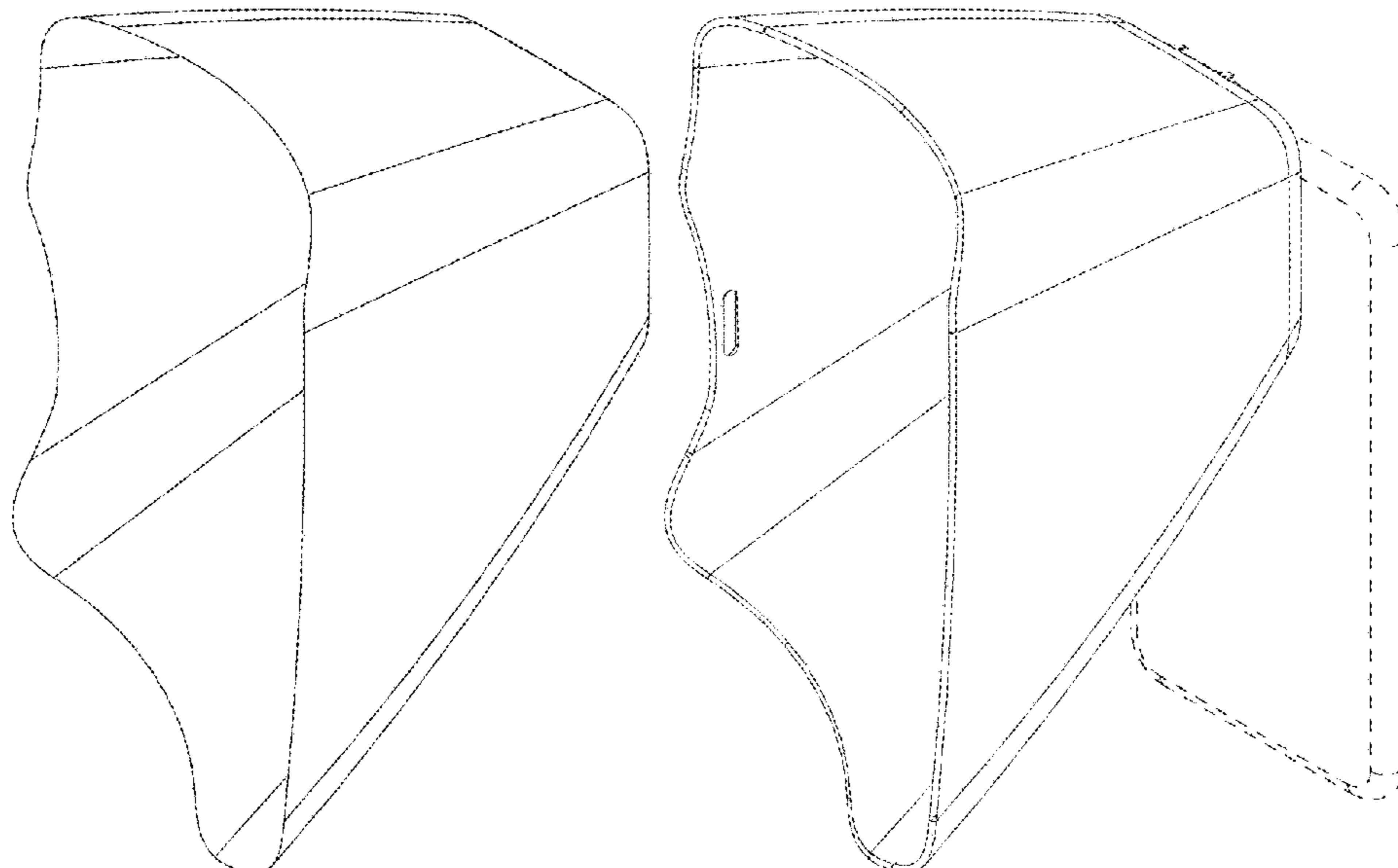
The ornamental design for an attachment for smart device,  
as shown and described.

**DESCRIPTION**

FIG. 1 is a perspective view of an attachment for smart device, according to a first embodiment of our new design; FIG. 2 is a front view thereof; FIG. 3 is a back view thereof; FIG. 4 is a right view thereof; FIG. 5 is a left view thereof; FIG. 6 is a top view thereof; FIG. 7 is a bottom view thereof; FIG. 8 is a perspective view of an attachment for smart device, according to a second embodiment of our new design; FIG. 9 is a front view thereof; FIG. 10 is a back view thereof; FIG. 11 is a right view thereof; FIG. 12 is a left view thereof; FIG. 13 is a top view thereof; and, FIG. 14 is a bottom view thereof.

The broken lines shown in the drawings depict environmental subject matter and form no part of the claimed design.

**1 Claim, 14 Drawing Sheets**



(56)

**References Cited**

U.S. PATENT DOCUMENTS

D876,517 S \* 2/2020 Miyamoto ..... D16/208  
D885,466 S \* 5/2020 Vozzi ..... D16/219  
D887,474 S \* 6/2020 Yeh ..... D16/203  
D902,285 S \* 11/2020 Persson ..... D16/219  
D910,737 S \* 2/2021 Lennerstedt ..... D16/219  
D936,129 S \* 11/2021 Pinna ..... D16/219  
2013/0051784 A1\* 2/2013 Chang ..... G03B 11/045  
396/448  
2019/0281210 A1\* 9/2019 Miyamoto ..... A61B 5/442

\* cited by examiner

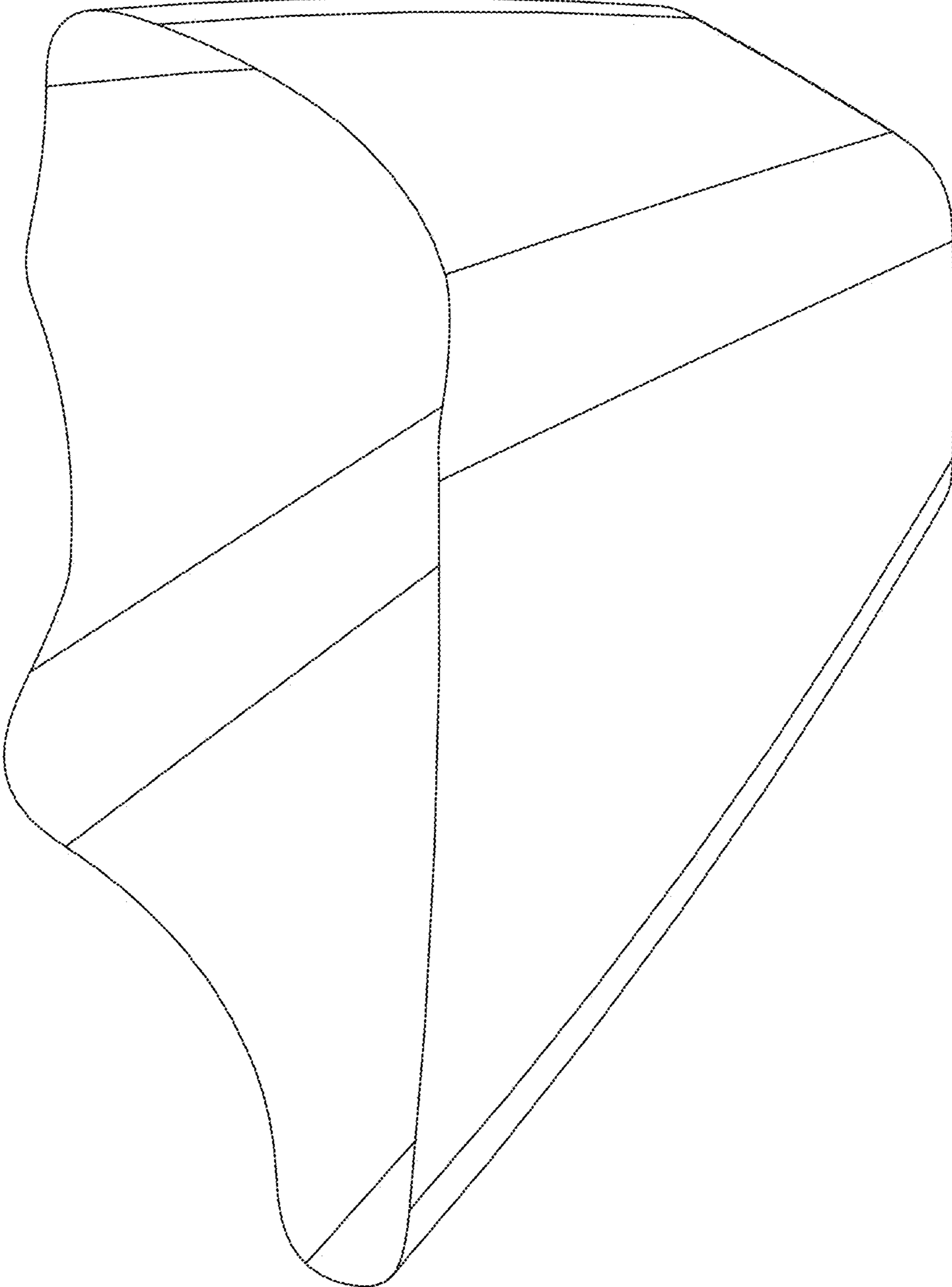


FIG. 1

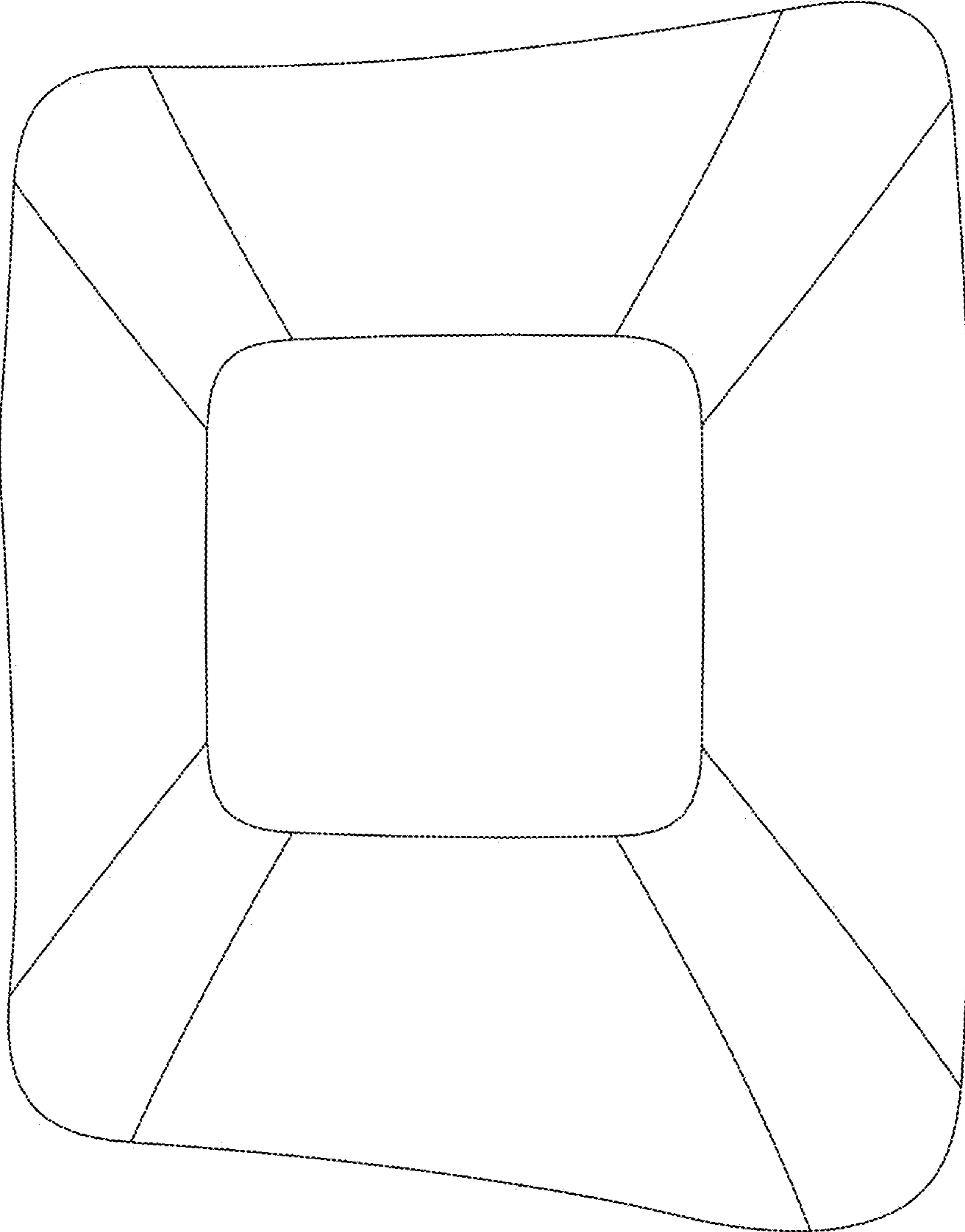


FIG. 2

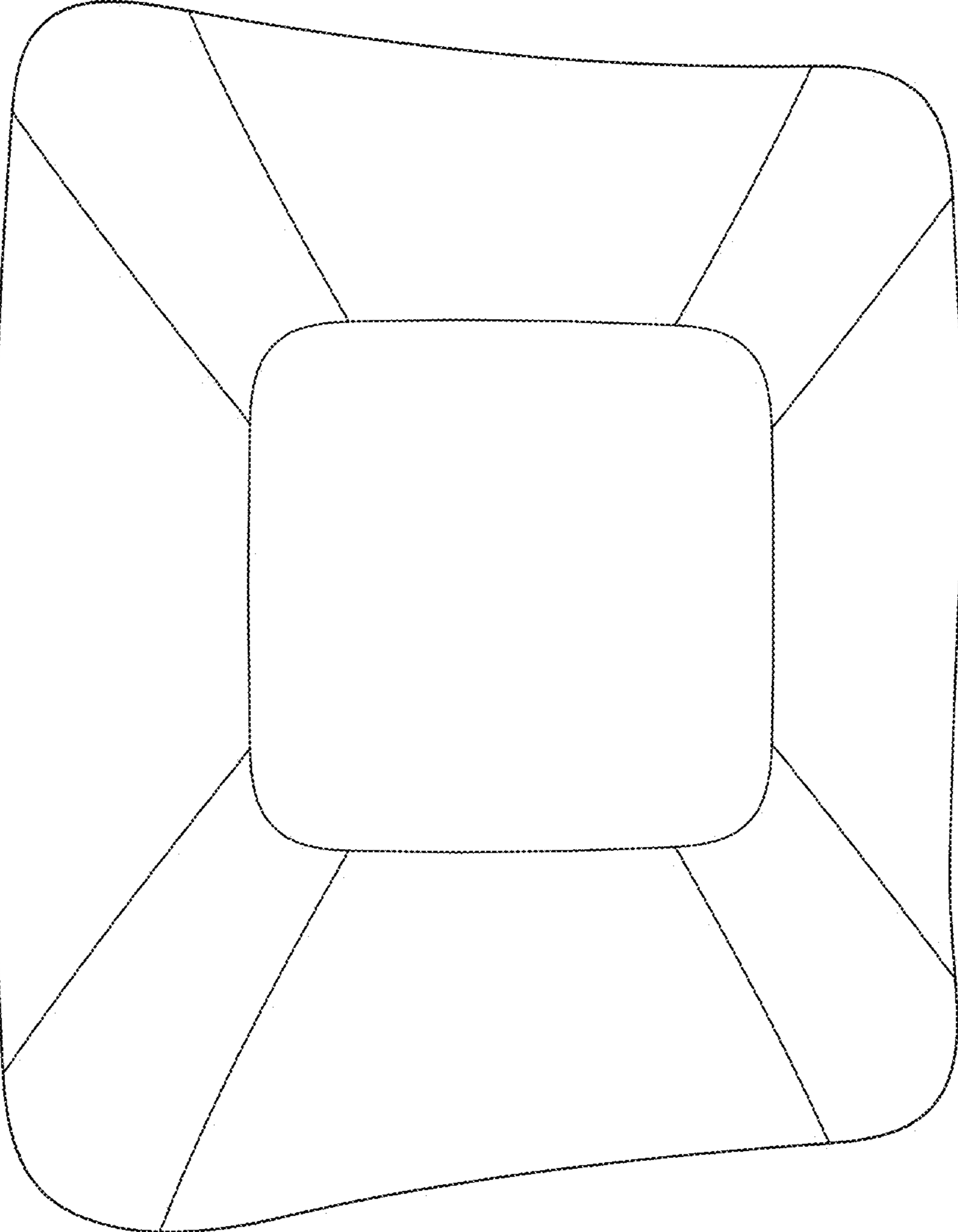


FIG. 3

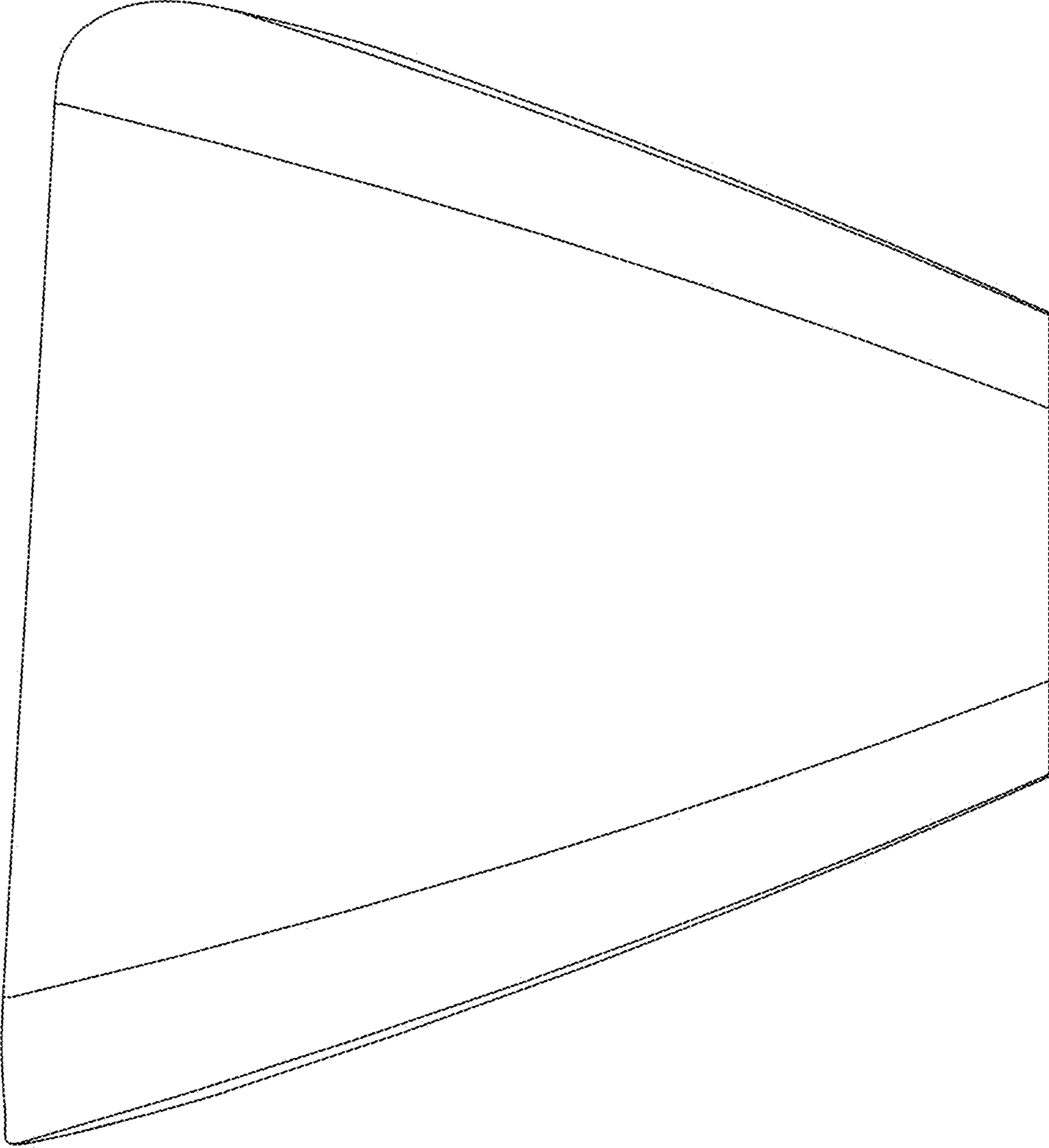


FIG. 4

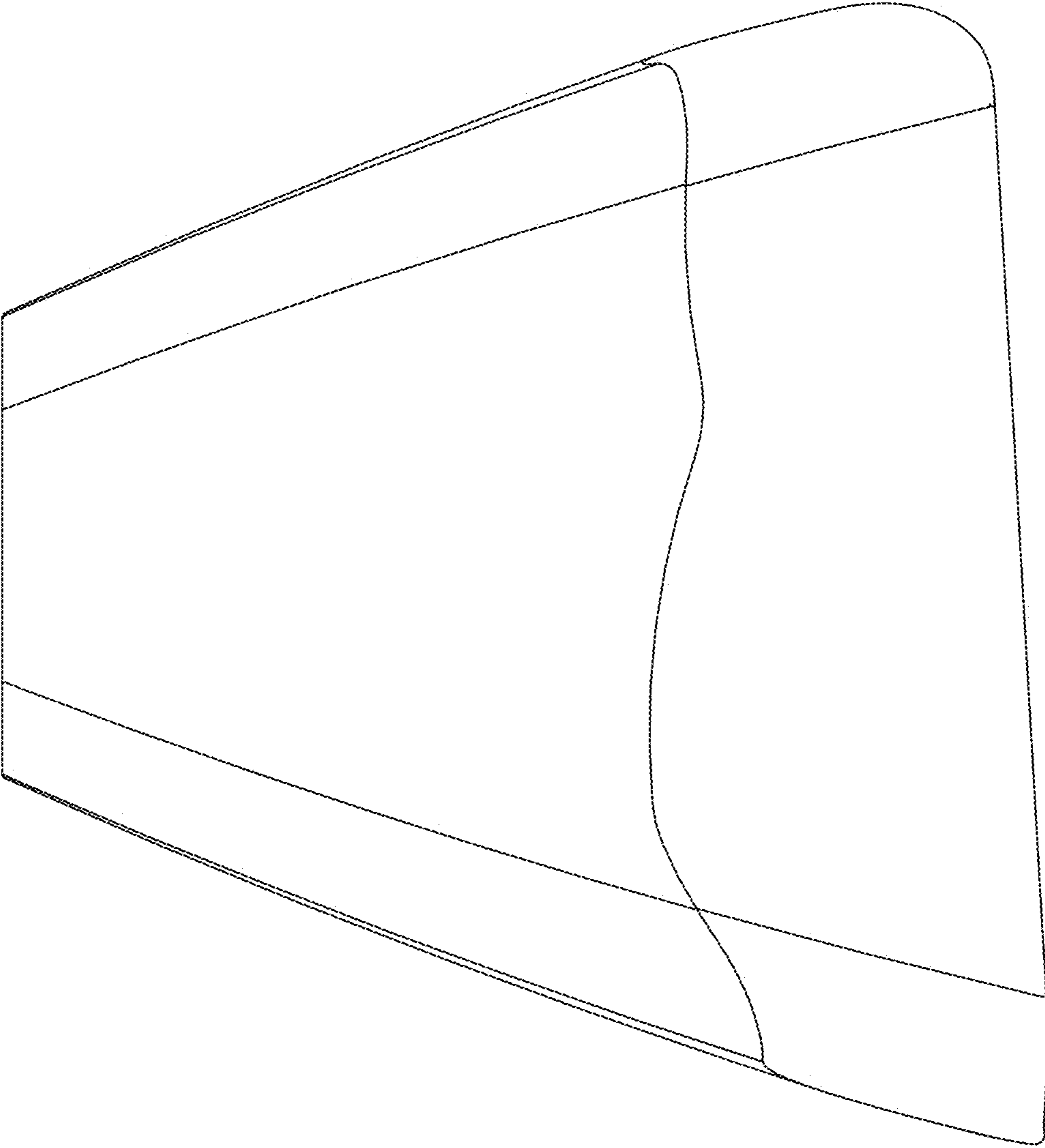


FIG. 5

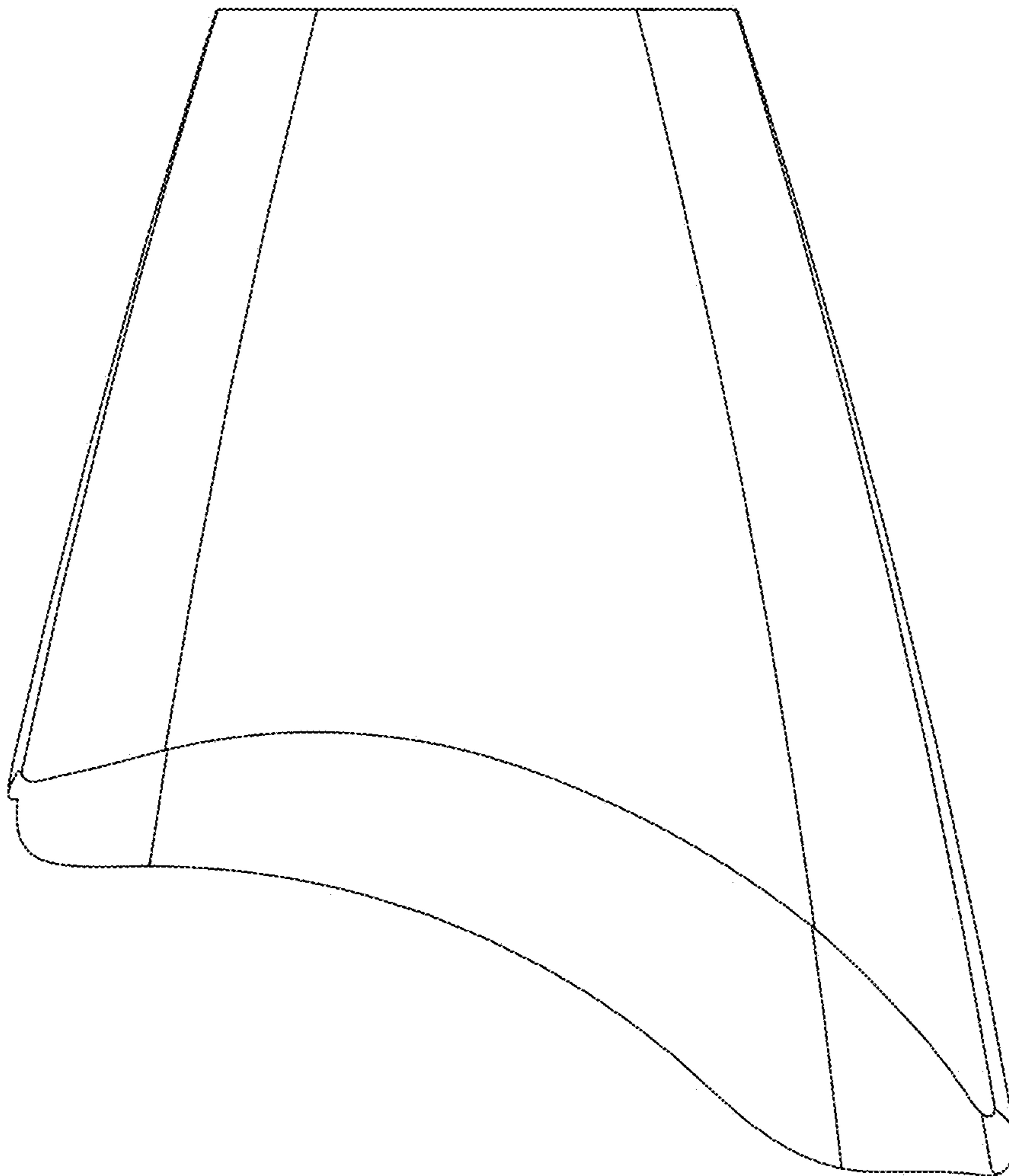


FIG. 6



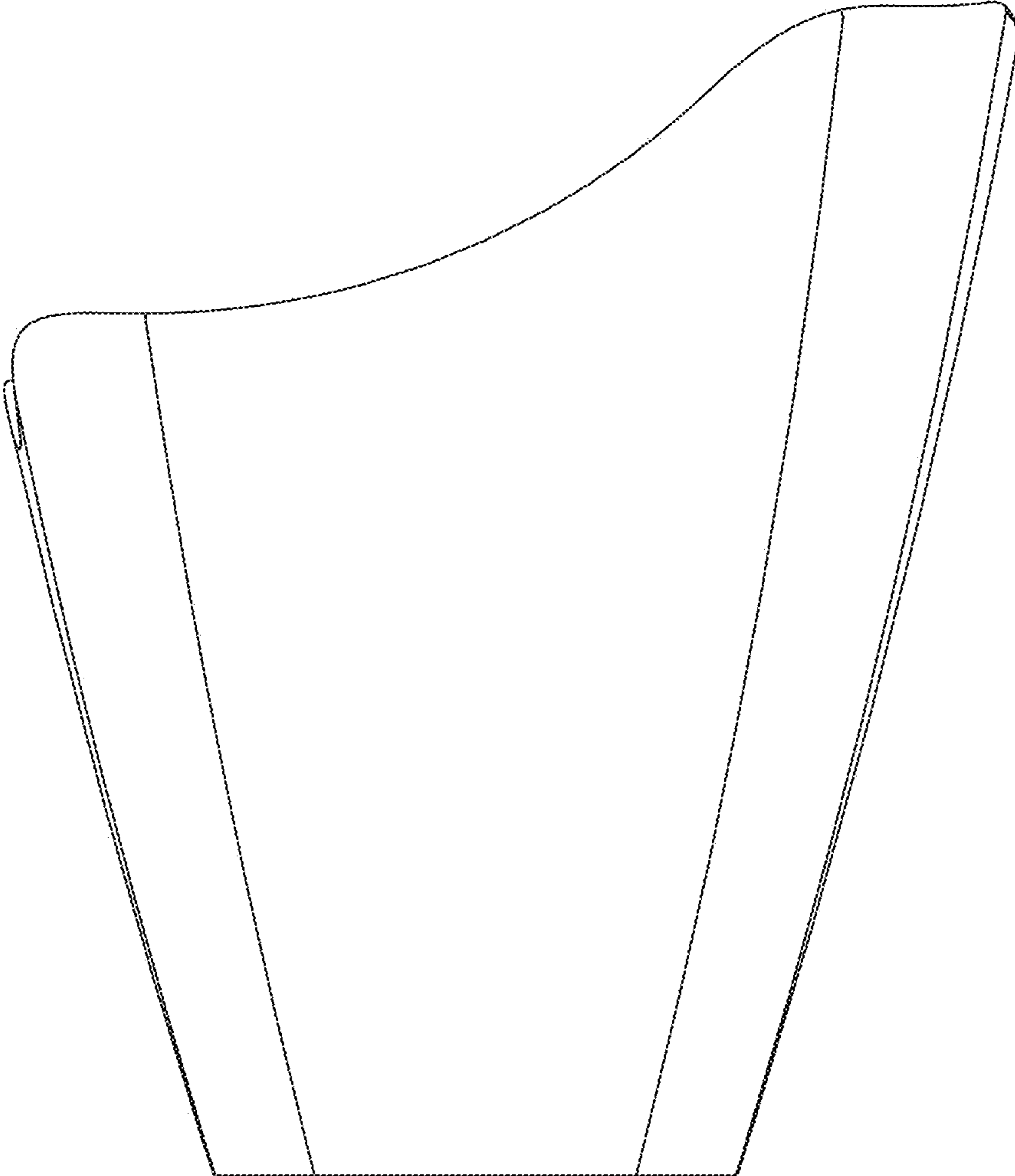


FIG. 7

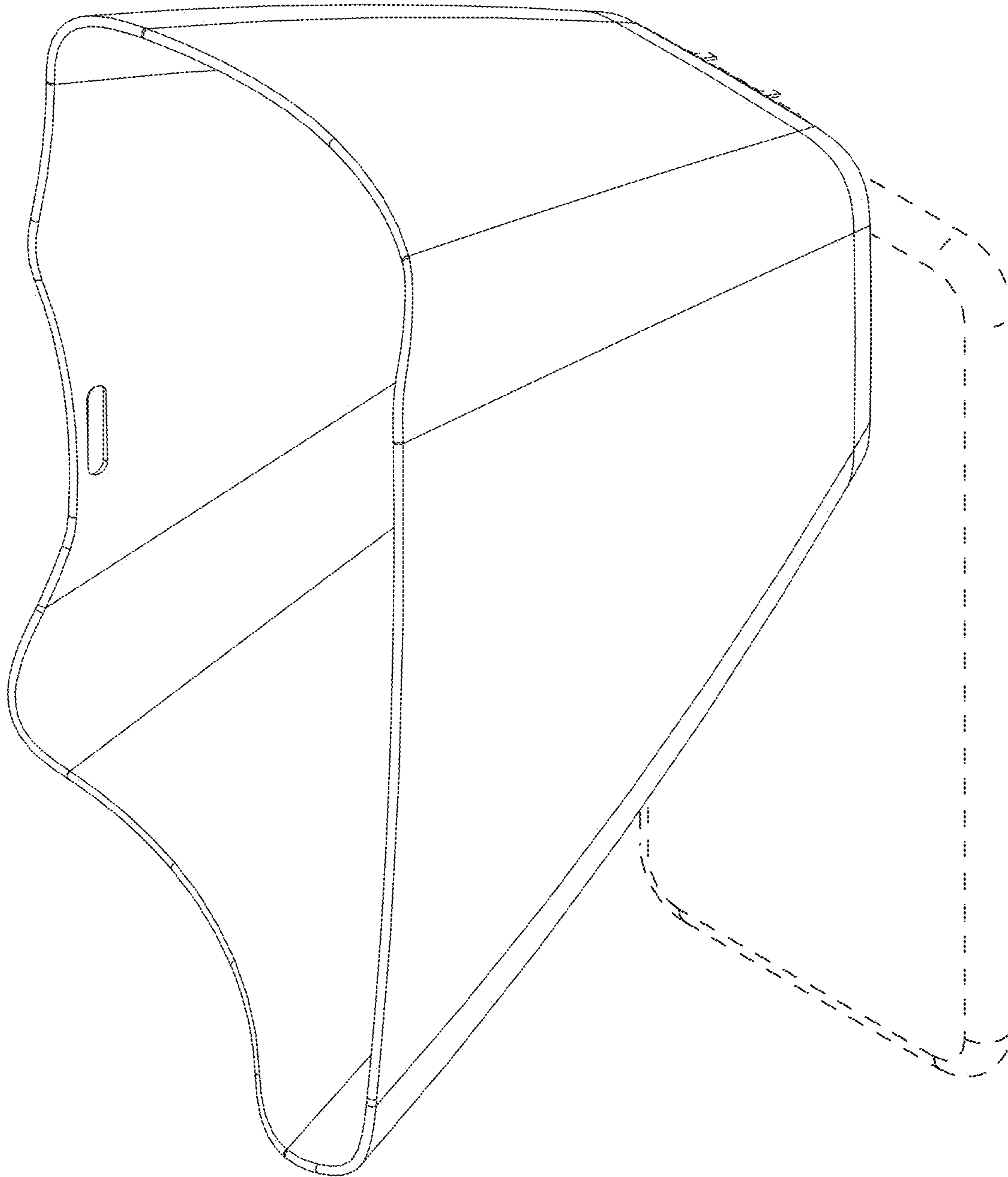


FIG. 8

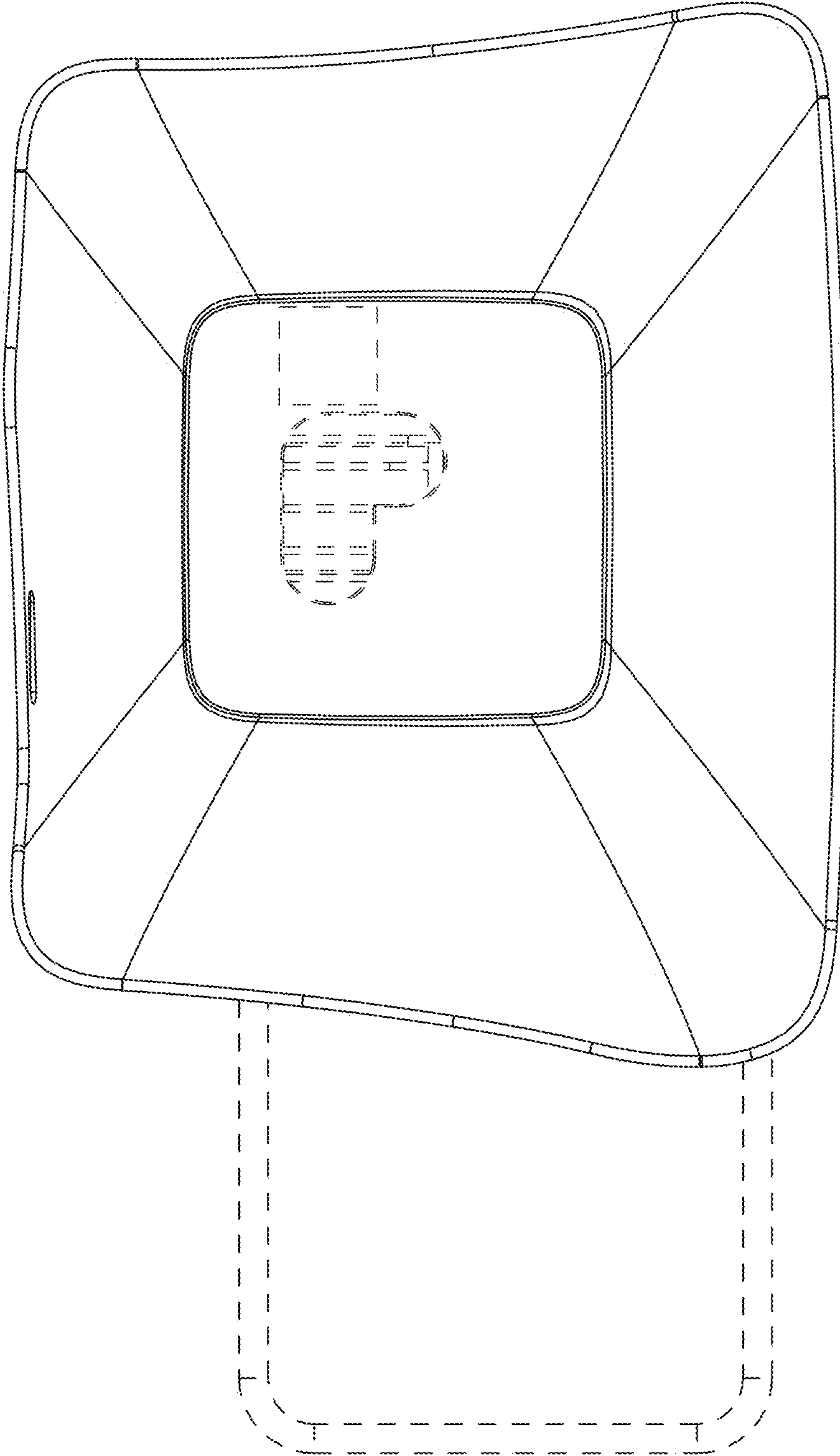


FIG. 9

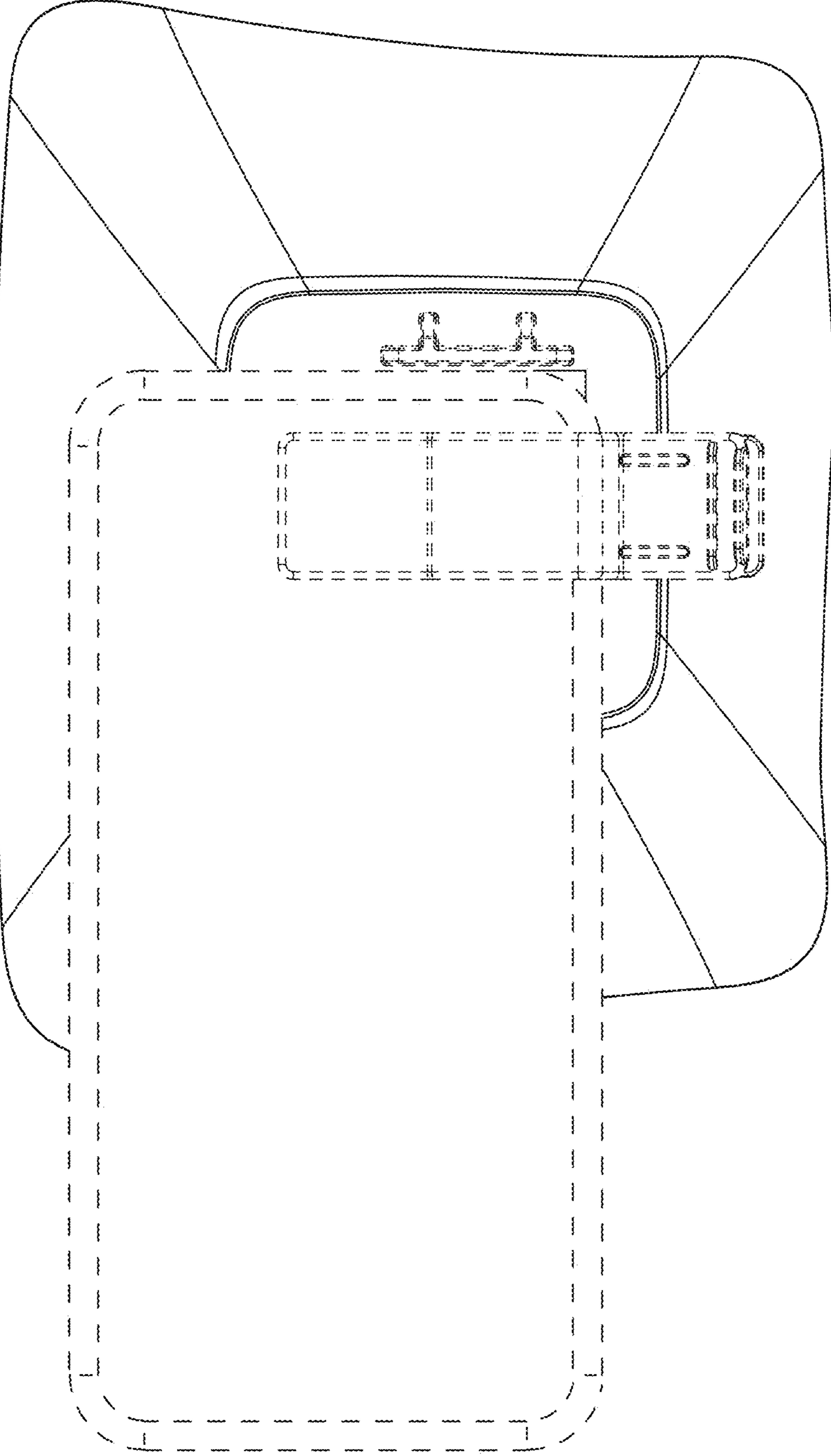


FIG. 10

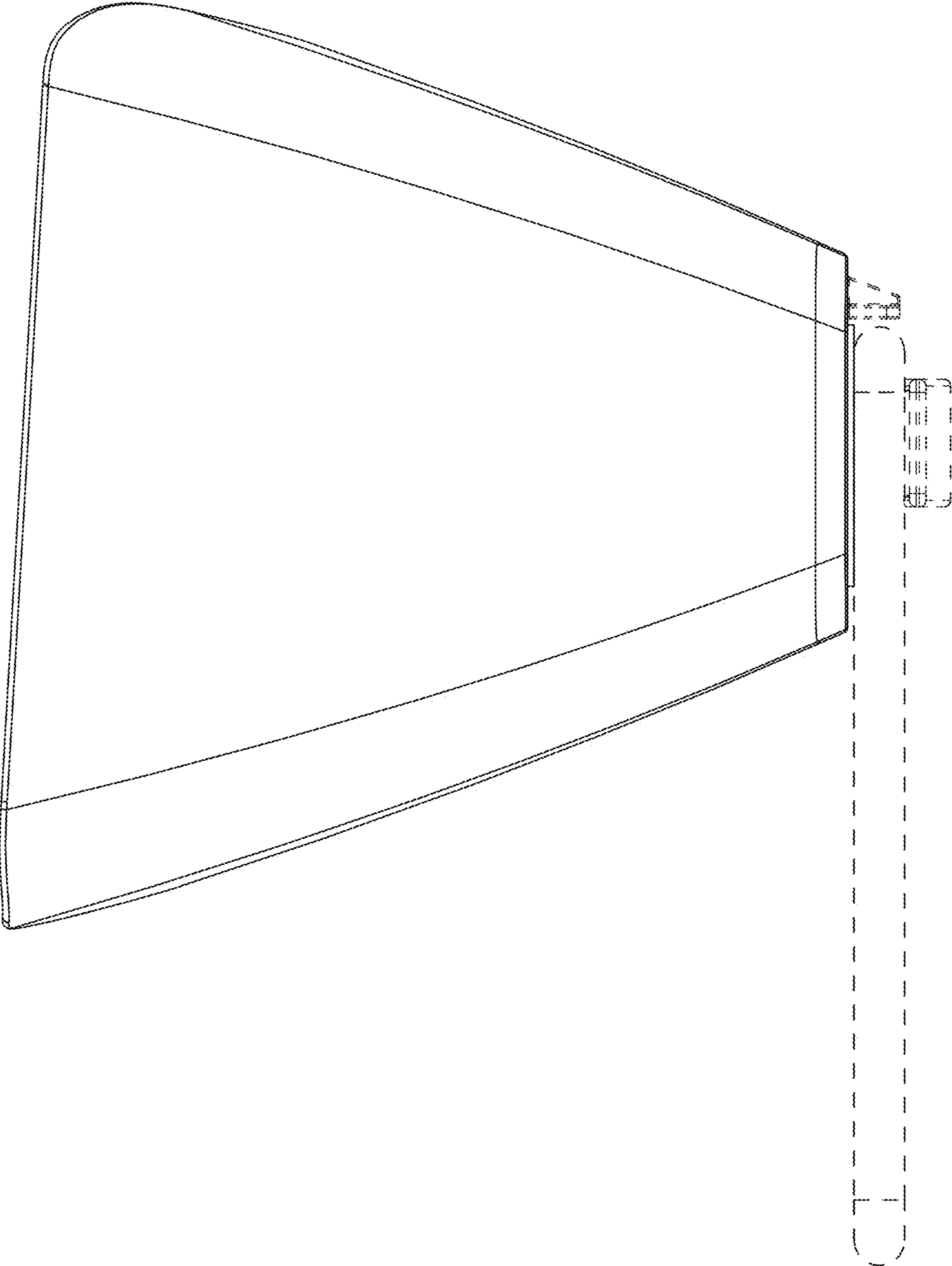


FIG. 11

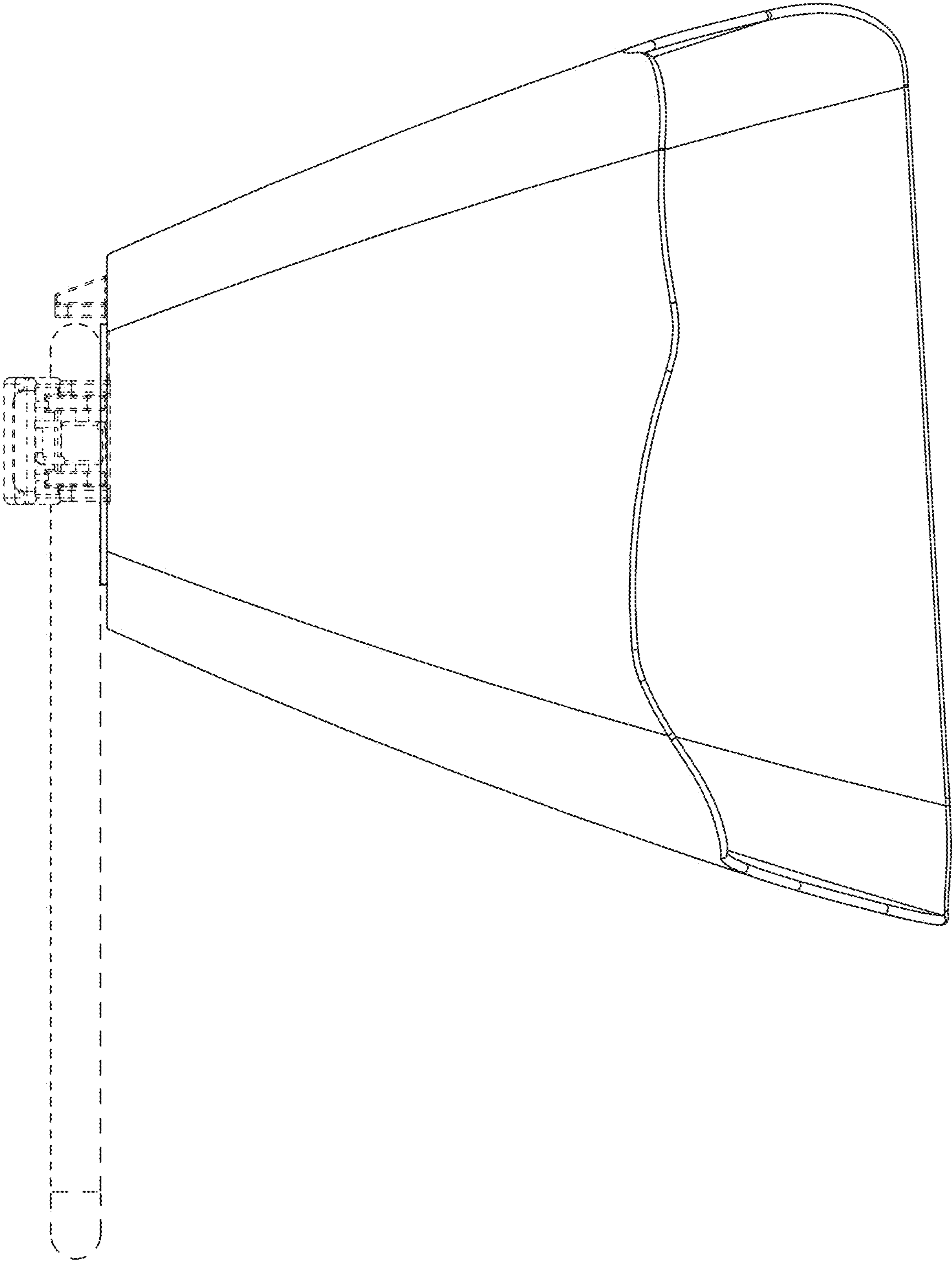


FIG. 12

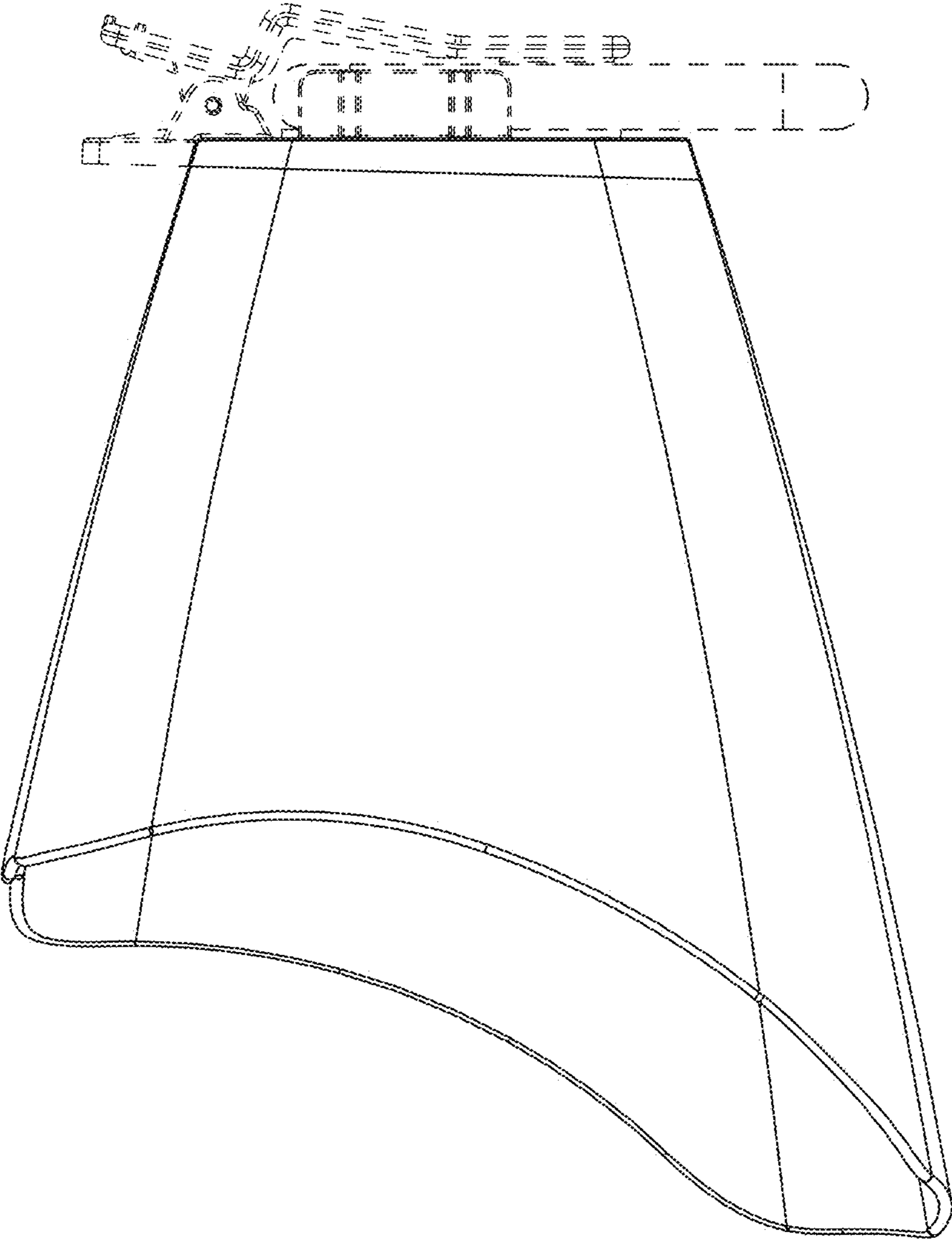


FIG. 13

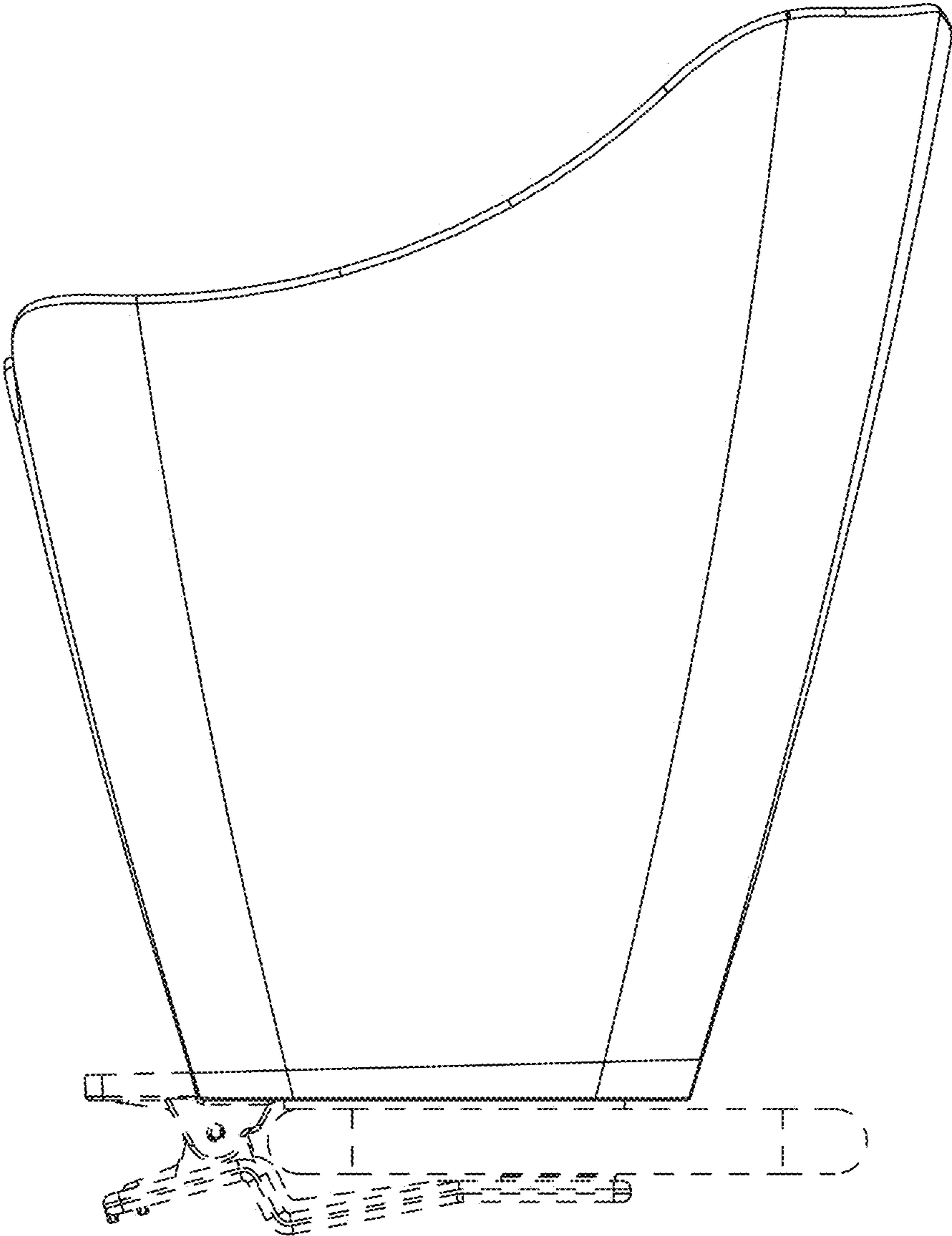


FIG. 14