



US00D950630S

(12) **United States Design Patent**  
**Dallmeier**

(10) **Patent No.:** **US D950,630 S**

(45) **Date of Patent:** **\*\* May 3, 2022**

- (54) **SURVEILLANCE CAMERA**
- (71) Applicant: **Dallmeier electronic GmbH & Co. KG**, Regensburg (DE)
- (72) Inventor: **Dieter Dallmeier**, Pettendorf (DE)
- (73) Assignee: **Dallmeier electronic GmbH & Co. KG**, Regensburg (DE)
- (\*\*) Term: **15 Years**

D543,568 S *	5/2007	Naruki .....	D16/203
D616,480 S *	5/2010	Ookawa .....	D16/218
D668,283 S *	10/2012	Ohno .....	D16/203
D671,584 S *	11/2012	Ohno .....	D16/202
D719,600 S *	12/2014	Katori .....	D16/203
D730,423 S *	5/2015	Vandenbussche .....	D16/218
D745,589 S *	12/2015	Lee .....	D16/218
D754,230 S *	4/2016	Mori .....	D16/200
D759,145 S *	6/2016	Lee .....	D16/219
D798,358 S *	9/2017	Holbrook .....	D16/203
D798,362 S *	9/2017	Holbrook .....	D16/203
D815,174 S *	4/2018	Holbrook .....	D16/203

(Continued)

(21) Appl. No.: **35/509,852**

*Primary Examiner* — Holly E Thurman

(22) Filed: **Jun. 6, 2019**

(74) *Attorney, Agent, or Firm* — Welsh Flaxman & Gitler LLC

(80) **Hague Agreement Data**

Int. Filing Date: **Jun. 6, 2019**  
 Int. Reg. No.: **DM/209153**  
 Int. Reg. Date: **Jun. 6, 2019**  
 Int. Reg. Pub. Date: **Jul. 24, 2020**

(57) **CLAIM**

The ornamental design for a surveillance camera, as shown and described.

(30) **Foreign Application Priority Data**

Jan. 23, 2019 (DE) ..... 40 2019 100 088.7

(51) **LOC (13) Cl.** ..... **16-05**

(52) **U.S. Cl.**  
USPC ..... **D16/219**

(58) **Field of Classification Search**  
 USPC ..... D16/200, 202–205, 208, 218, 219, 242  
 CPC ..... G03B 17/02; G03B 17/04; G03B 17/56;  
 G03B 19/04; G03B 15/03  
 See application file for complete search history.

**DESCRIPTION**

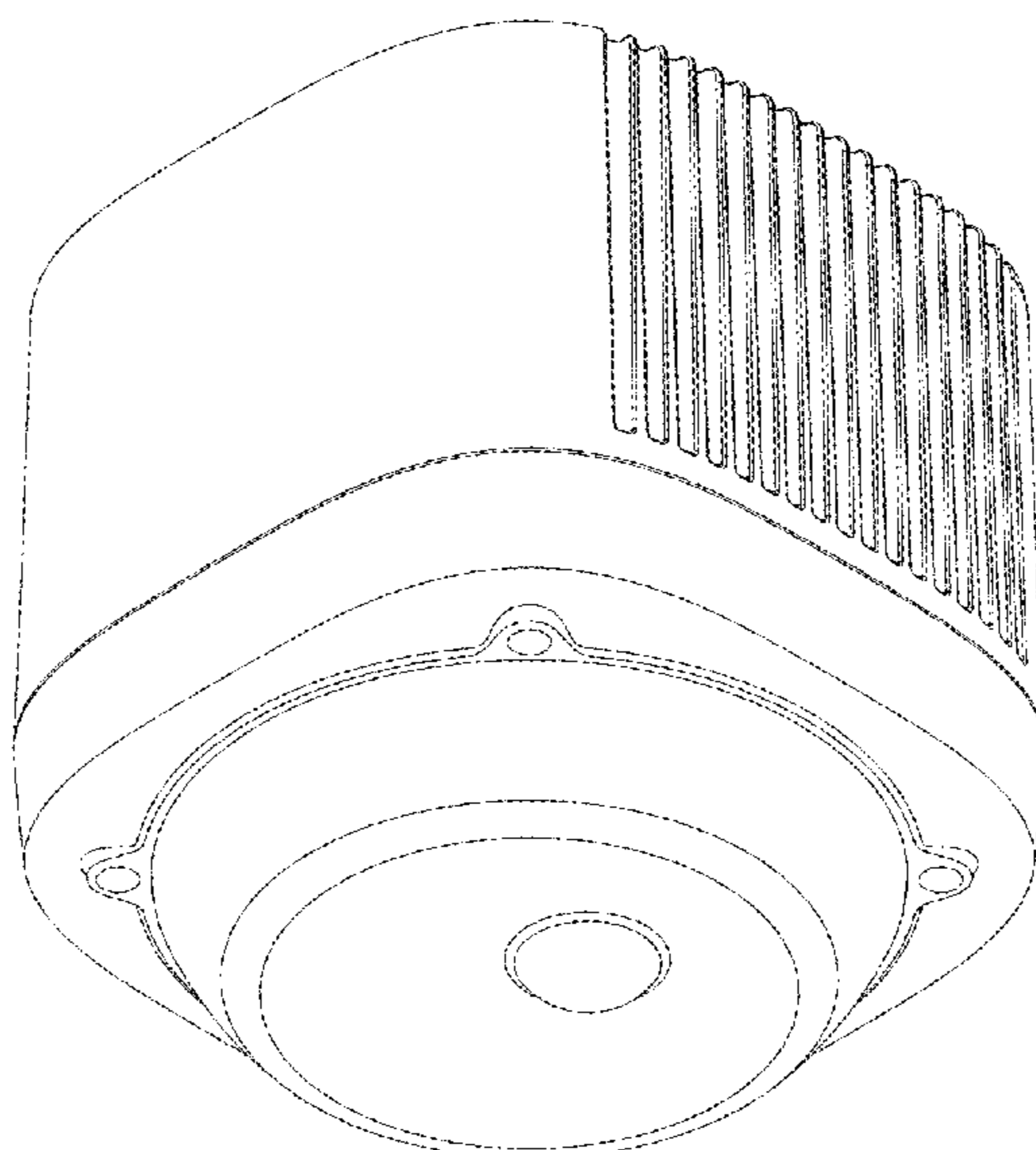
Figure 1.1 is a perspective view of the surveillance camera; Figure 1.2 is a back view of the surveillance camera; Figure 1.3 is a left side view of the surveillance camera; Figure 1.4 is a front view of the surveillance camera; Figure 1.5 is a top view of the surveillance camera; Figure 1.6 is a bottom of the surveillance camera; Figure 1.7 is a right side view of the surveillance camera; Figure 2.1 is a perspective view of the surveillance camera; Figure 2.2 is a back view of the surveillance camera; Figure 2.3 is a left side view of the surveillance camera; Figure 2.4 is a front view of the surveillance camera; Figure 2.5 is a top view of the surveillance camera; Figure 2.6 is a bottom of the surveillance camera; and Figure 2.7 is a right side view of the surveillance camera. All coloring [black, gray, and white] discussed in the reproductions forms part of the claimed design. The broken lines in the reproductions depict portions of the surveillance camera that form NO part of the claimed design.

(56) **References Cited**

**U.S. PATENT DOCUMENTS**

D441,386 S *	5/2001	Yamazaki .....	D16/203
D446,801 S *	8/2001	Adachi .....	D16/203
D470,520 S *	2/2003	Yamakawa .....	D16/203
D531,200 S *	10/2006	Taneno .....	D16/203

**1 Claim, 6 Drawing Sheets**



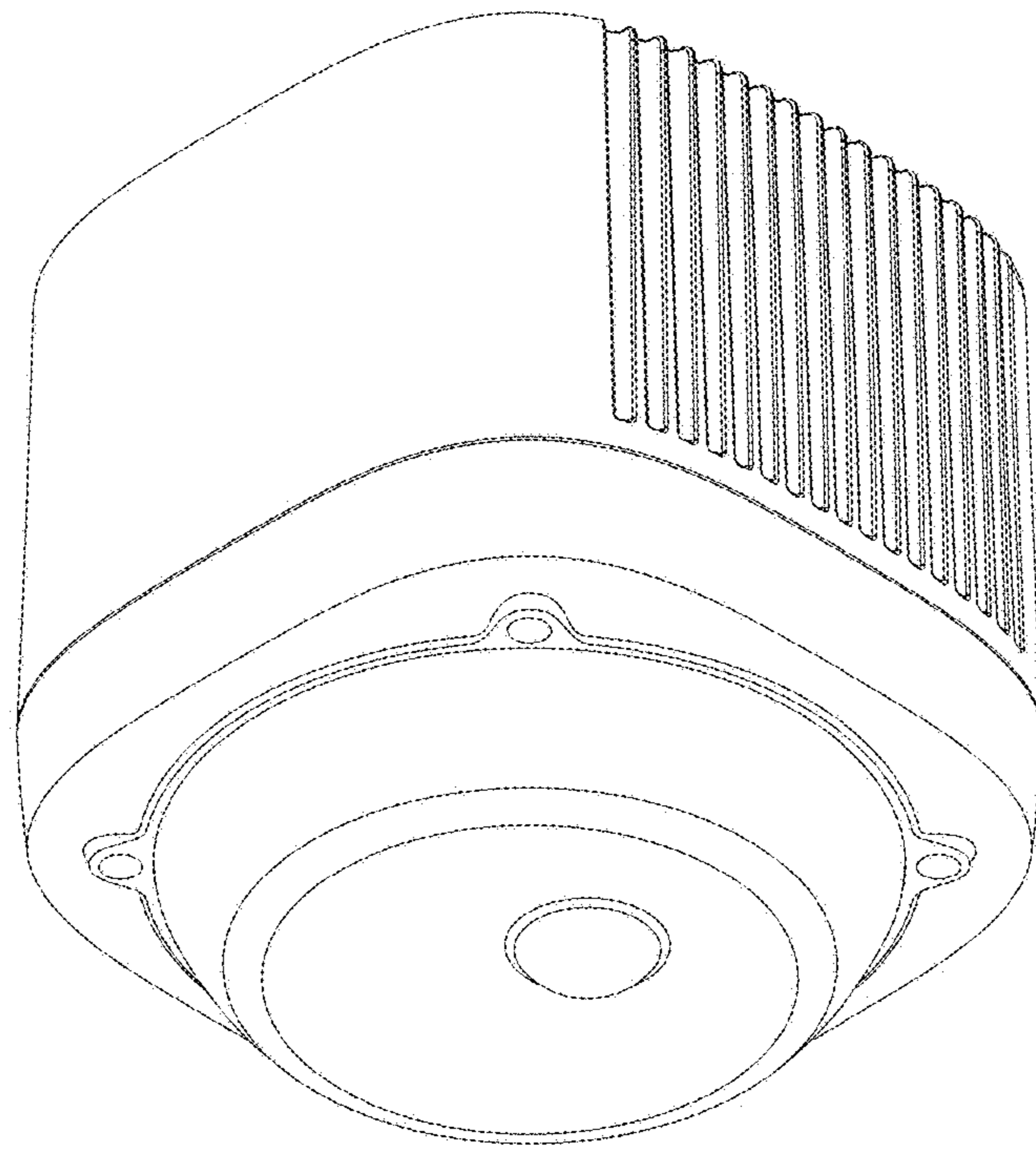
(56)

**References Cited**

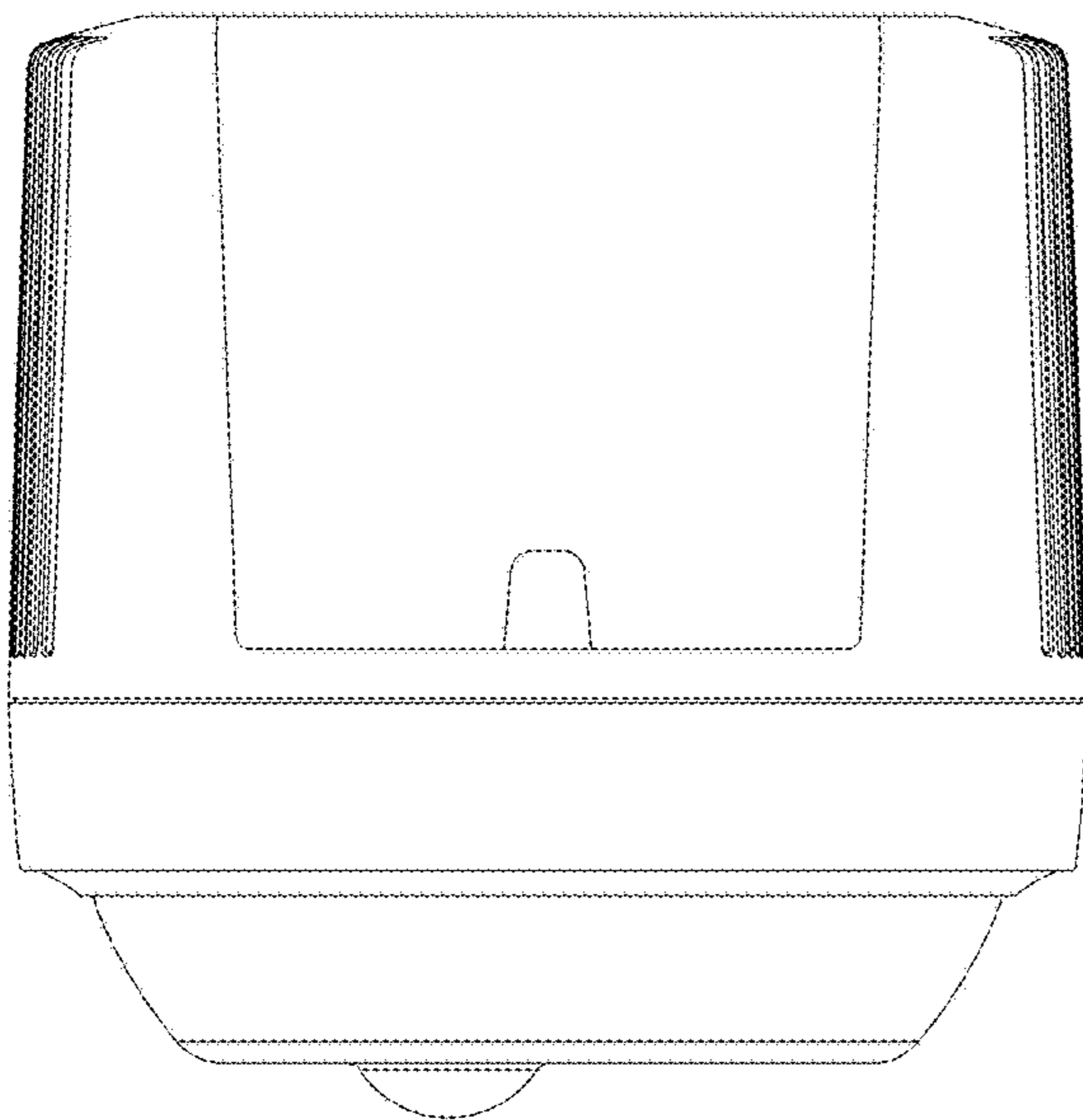
U.S. PATENT DOCUMENTS

D858,603 S	*	9/2019	Ye .....	D16/203
D875,157 S	*	2/2020	Laurino .....	D16/203
D894,991 S	*	9/2020	Park .....	D16/202

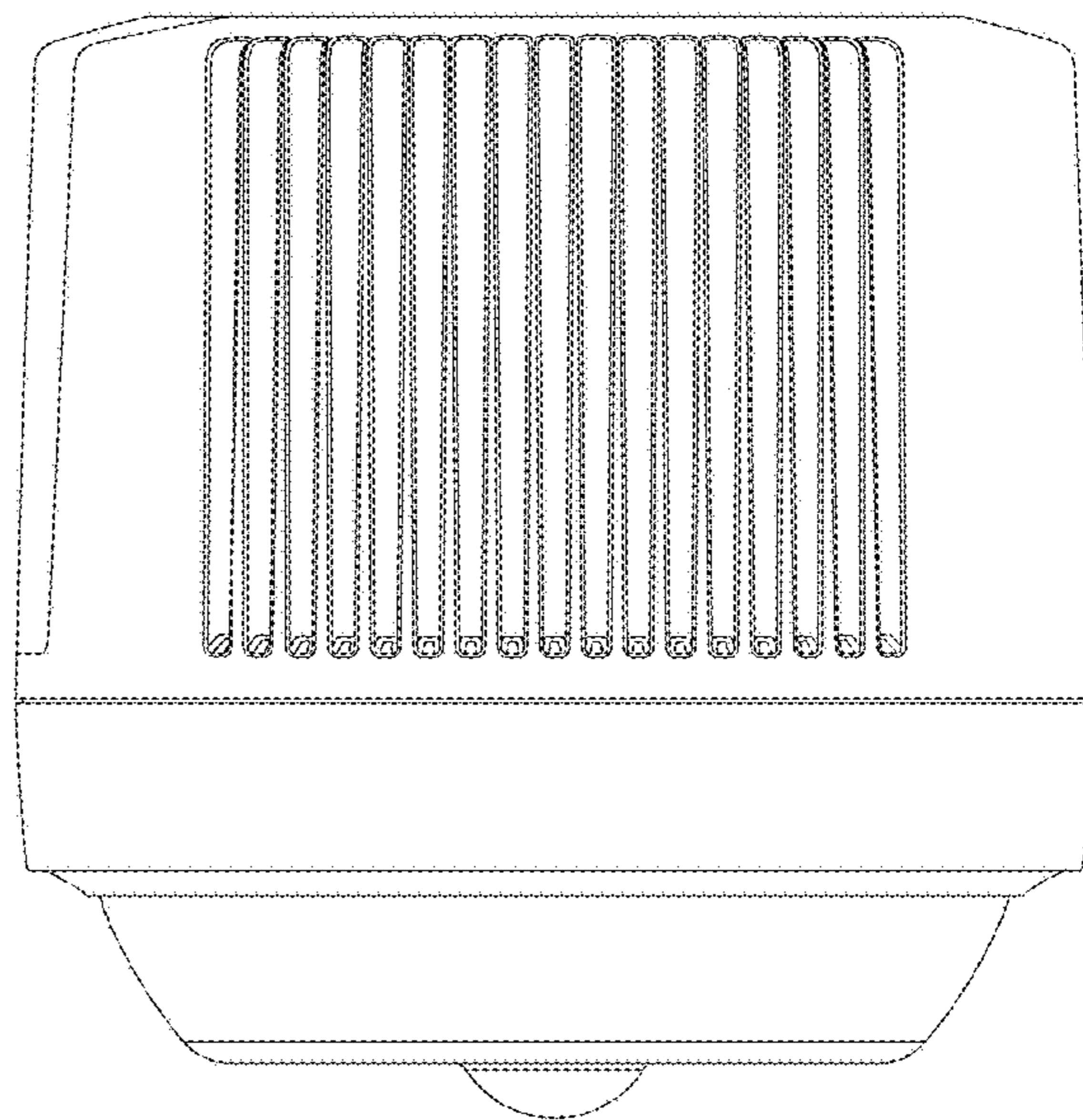
\* cited by examiner



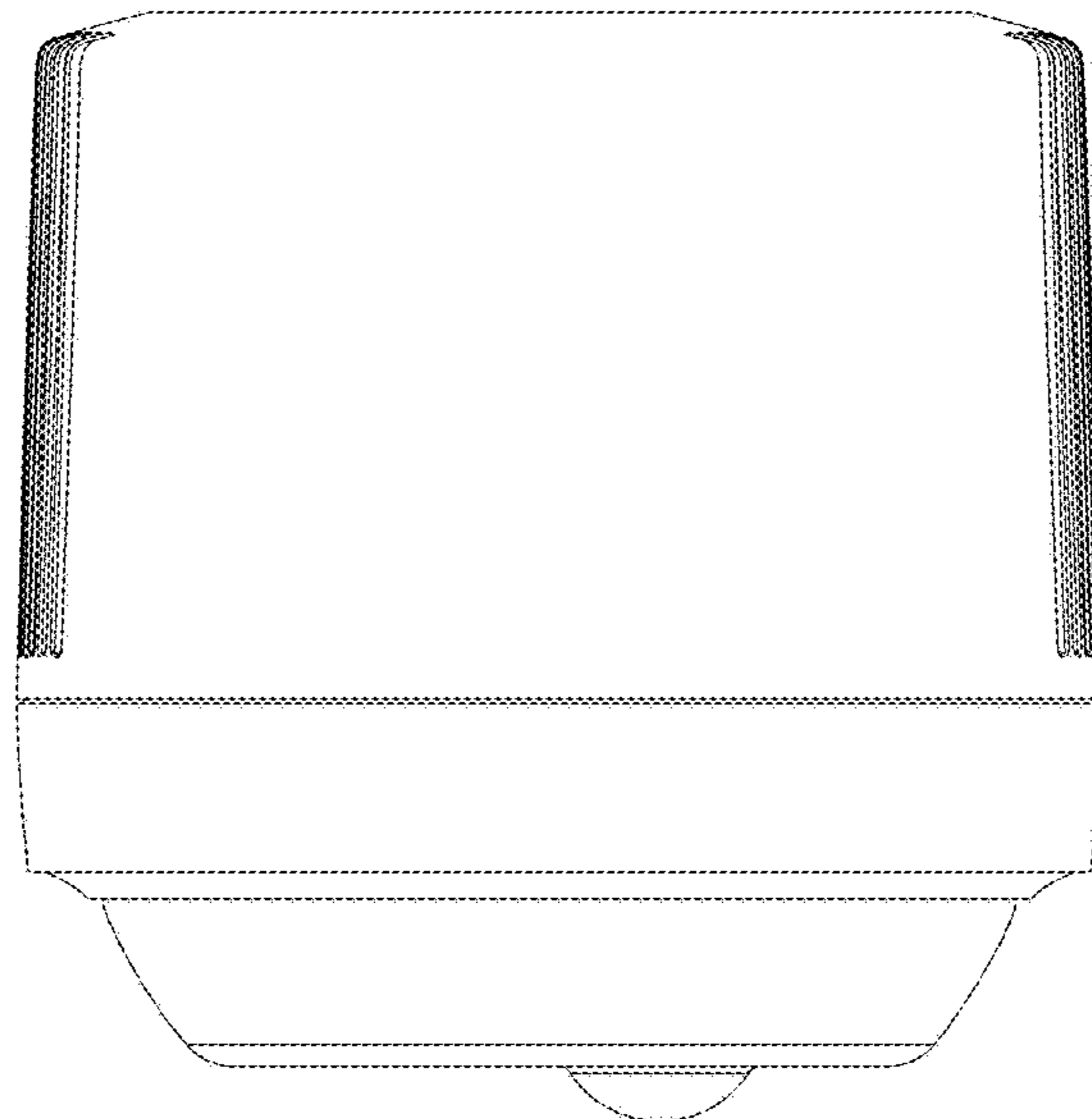
1.1



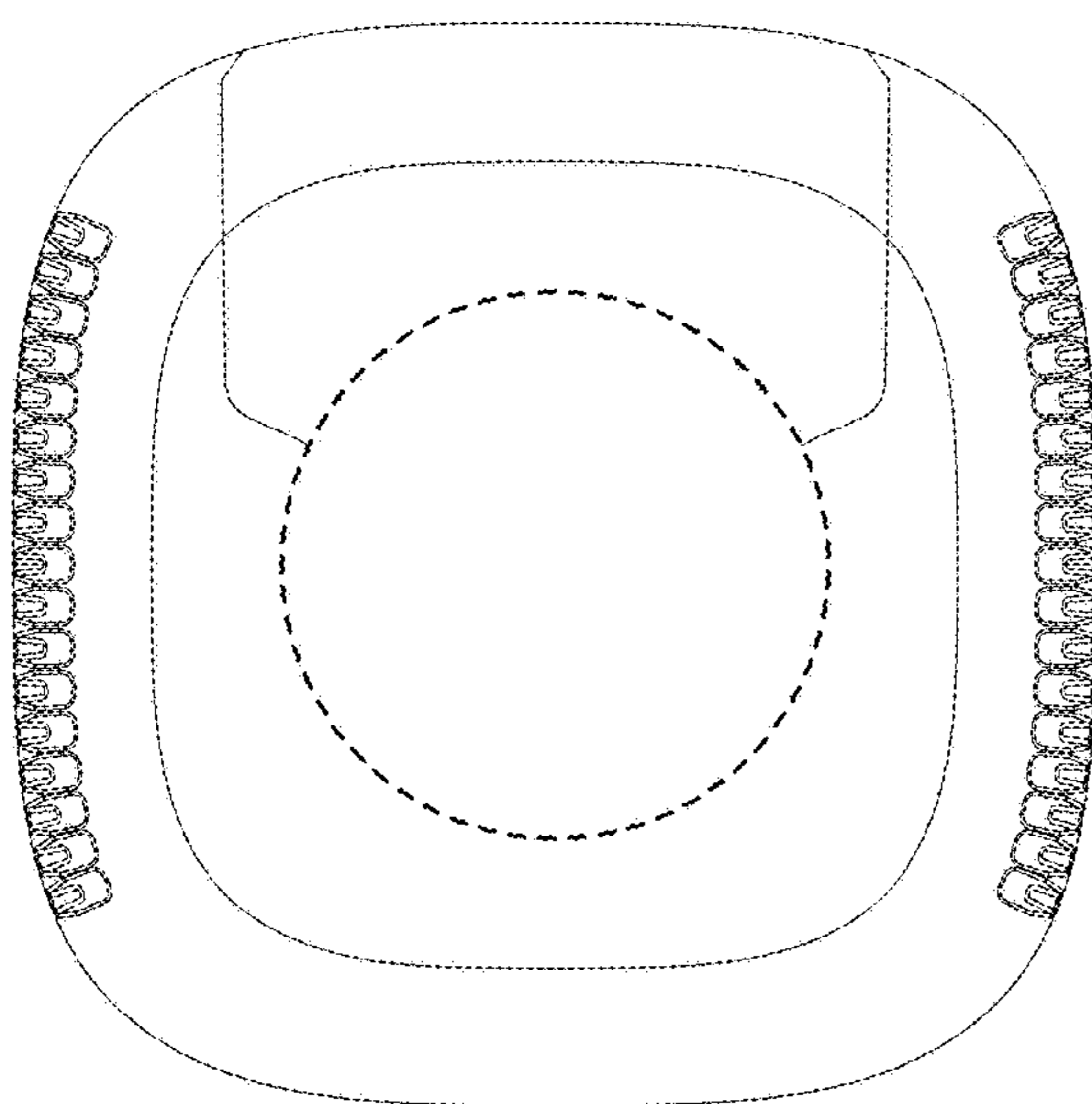
1.2



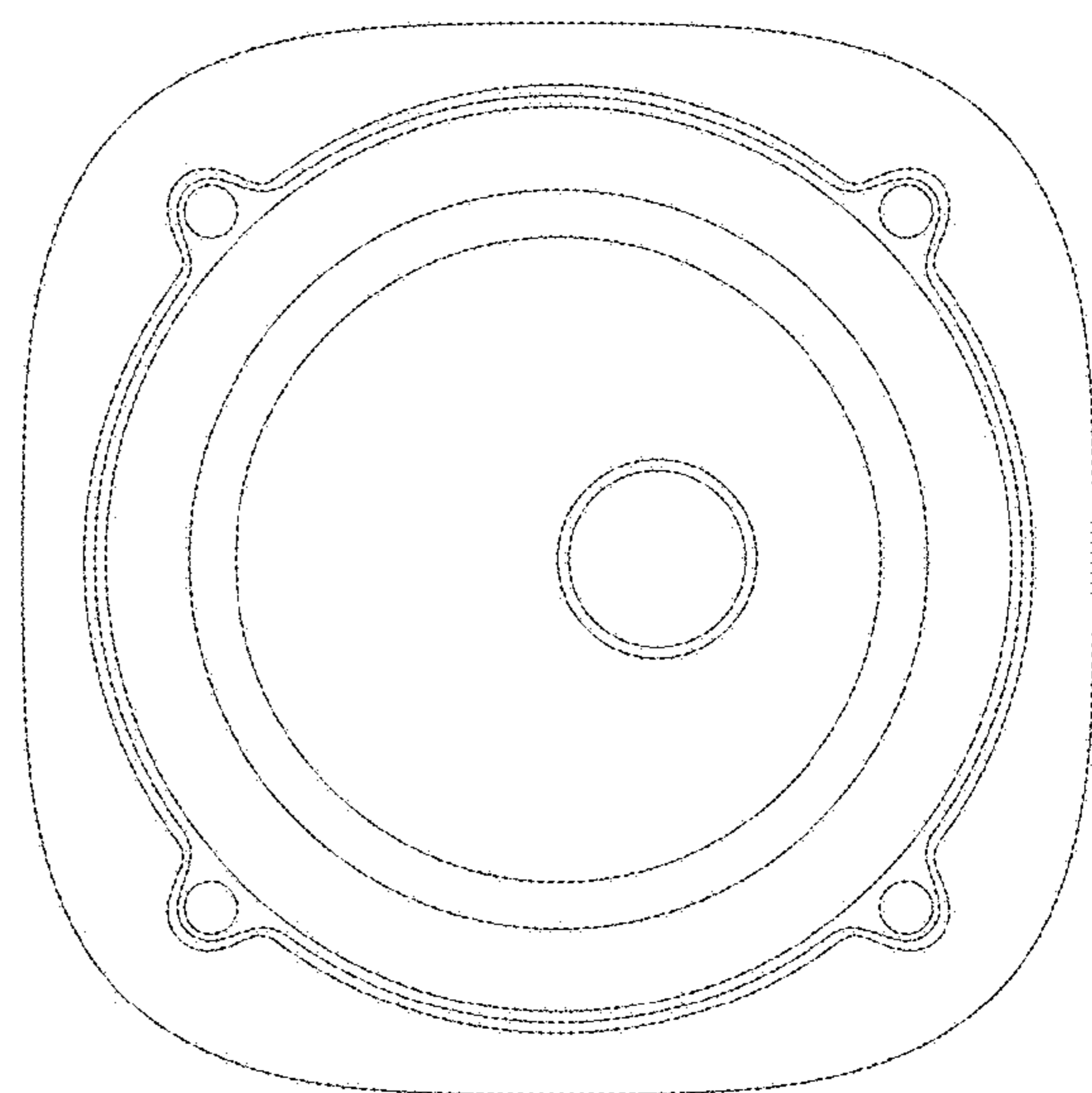
1.3



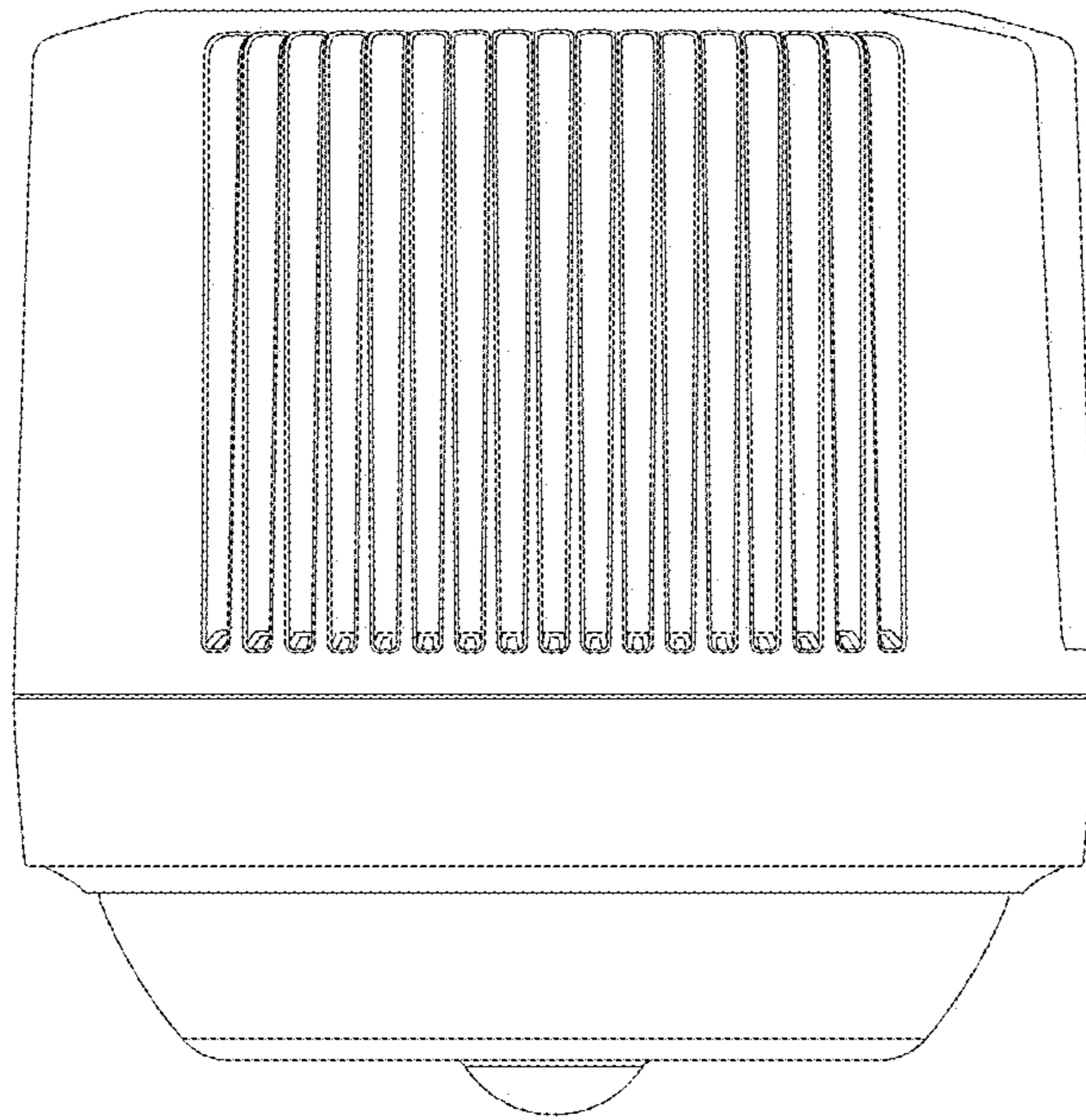
1.4



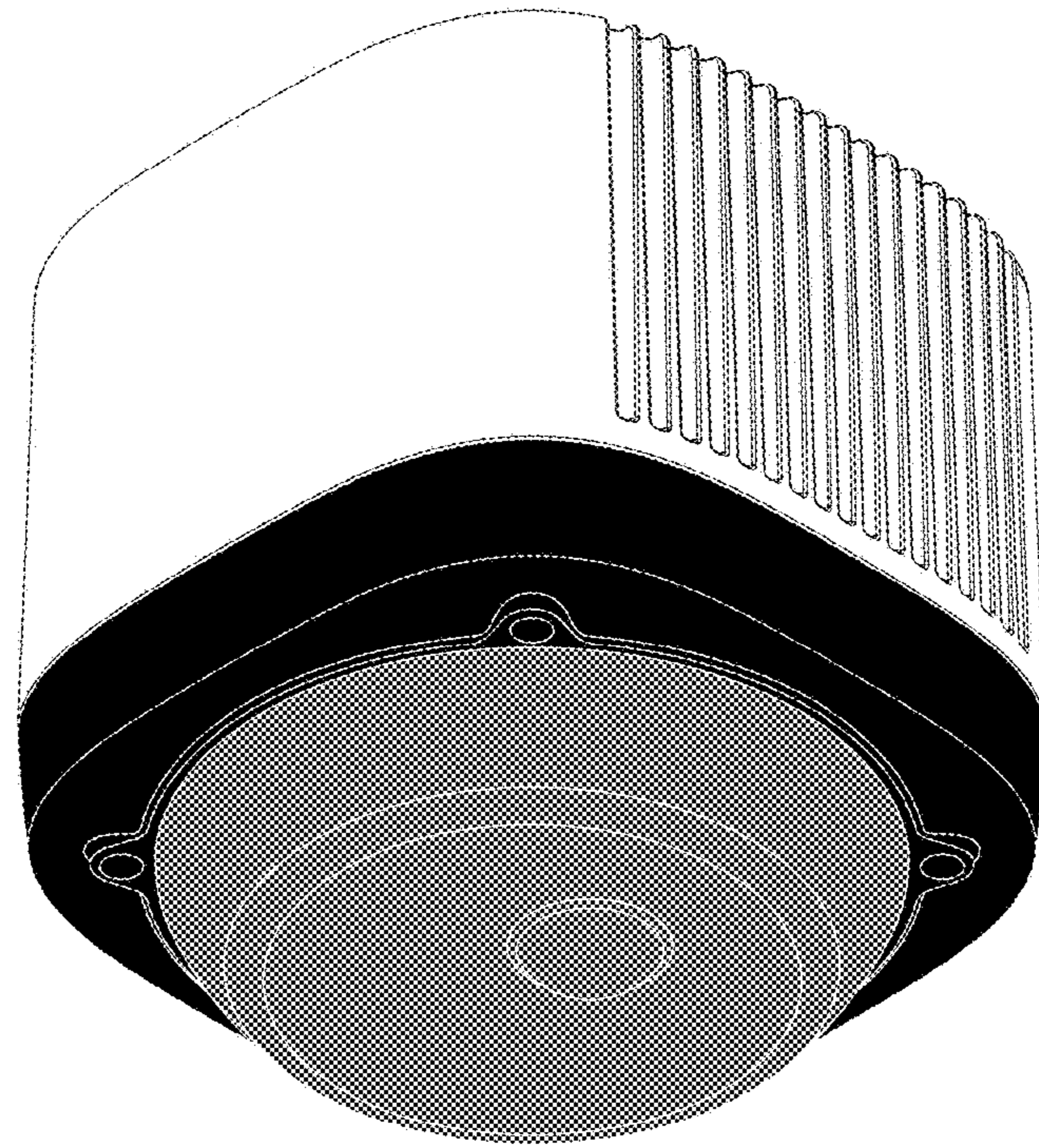
1.5



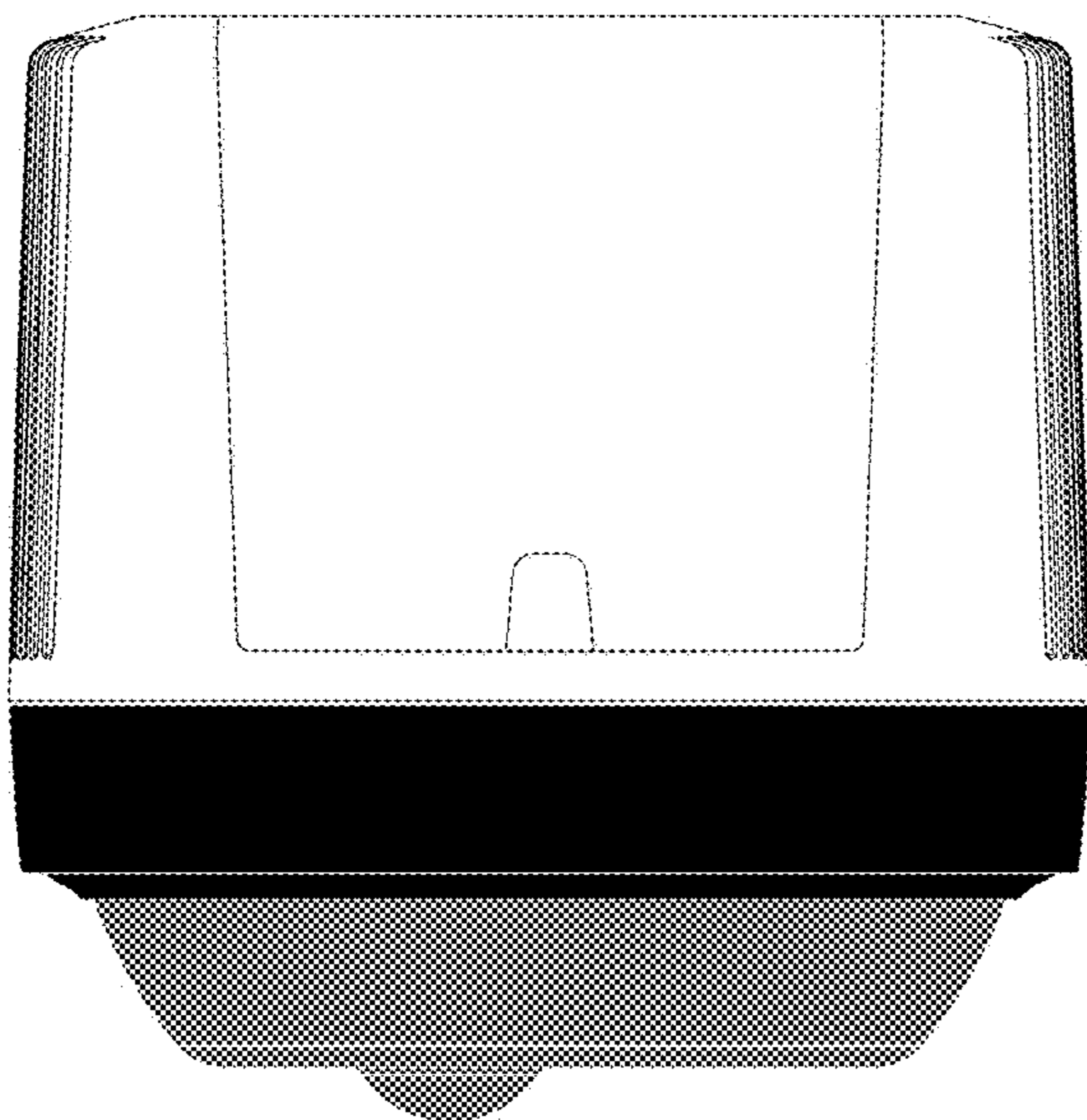
1.6



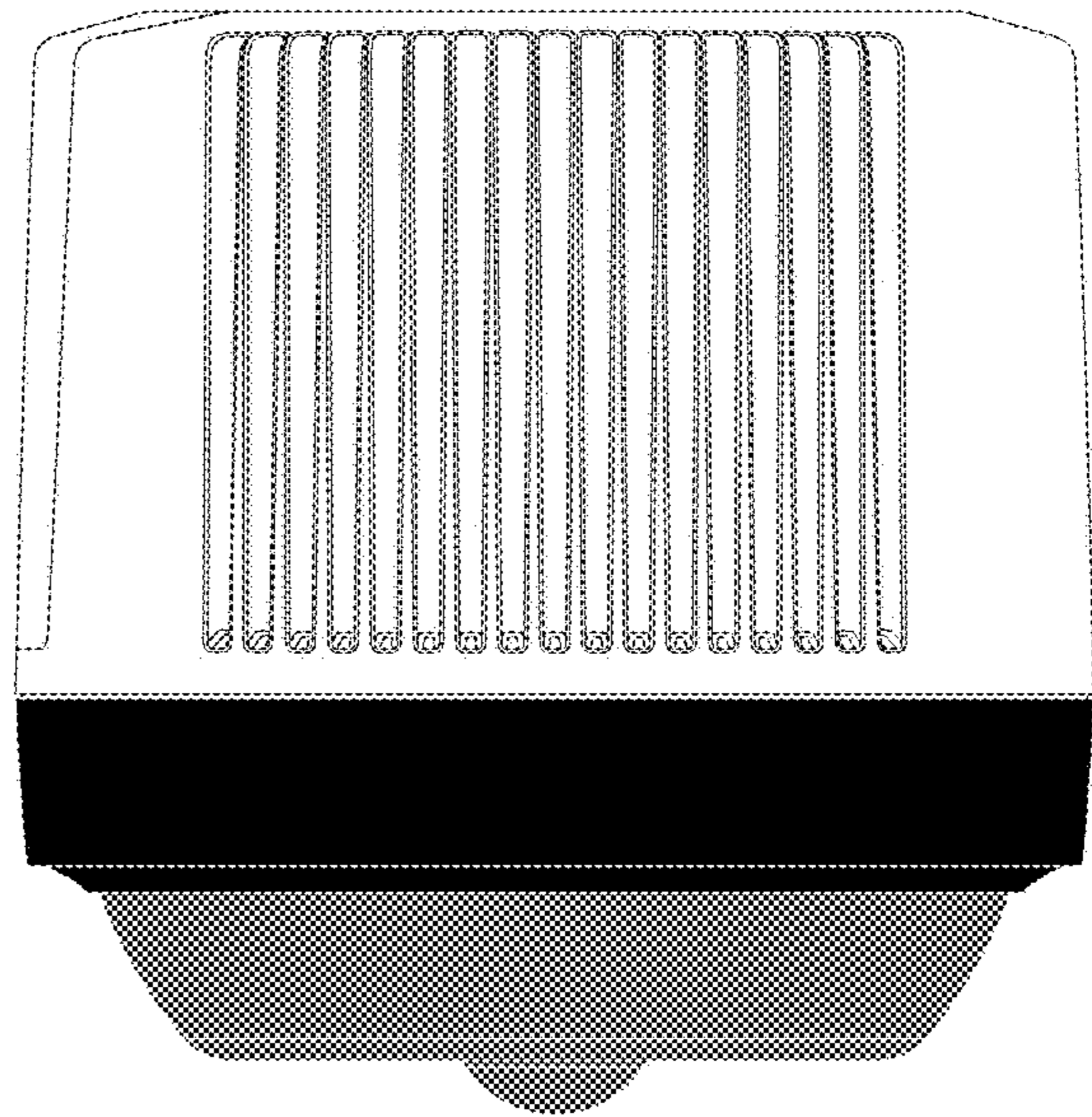
1.7



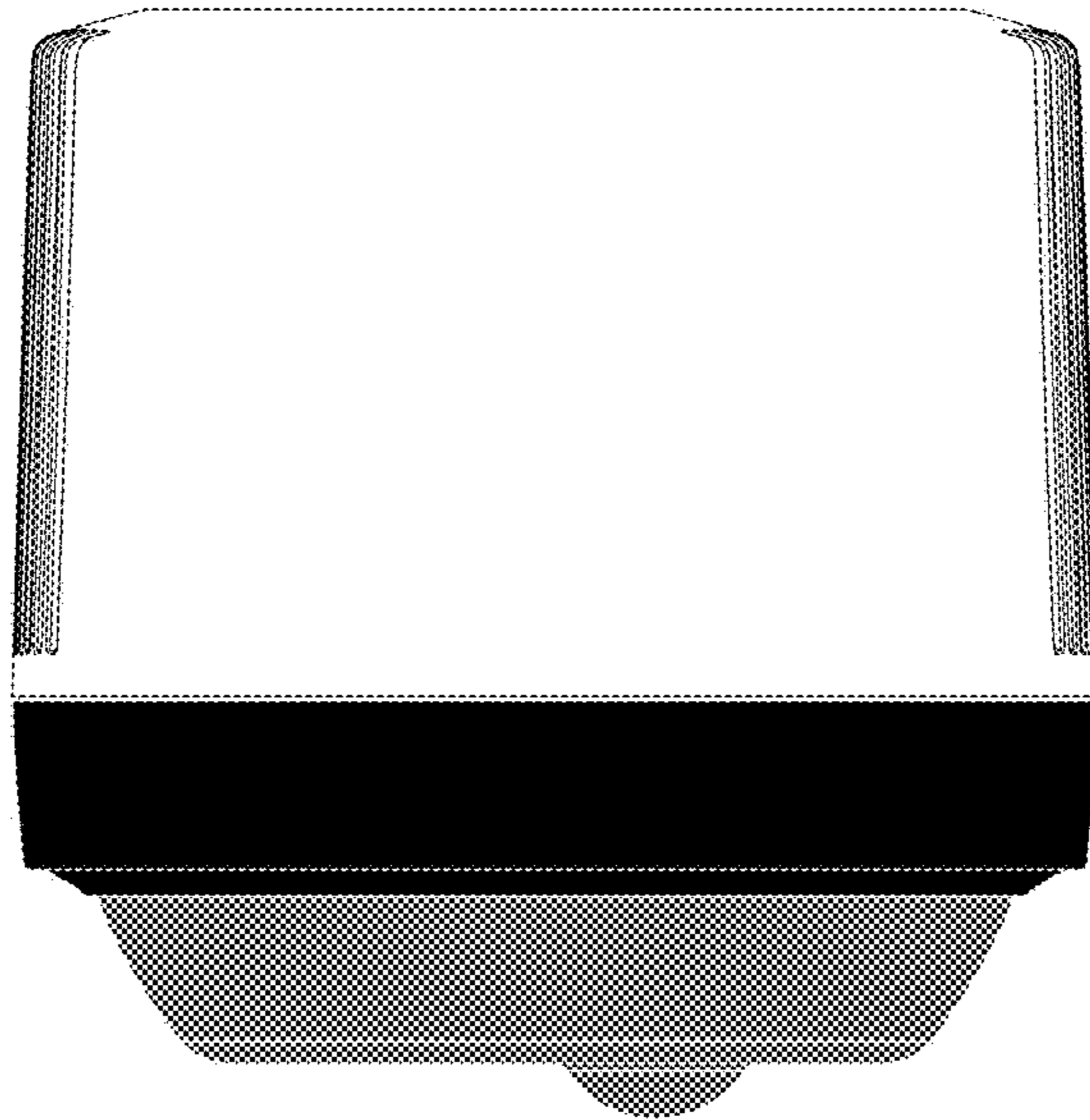
2.1



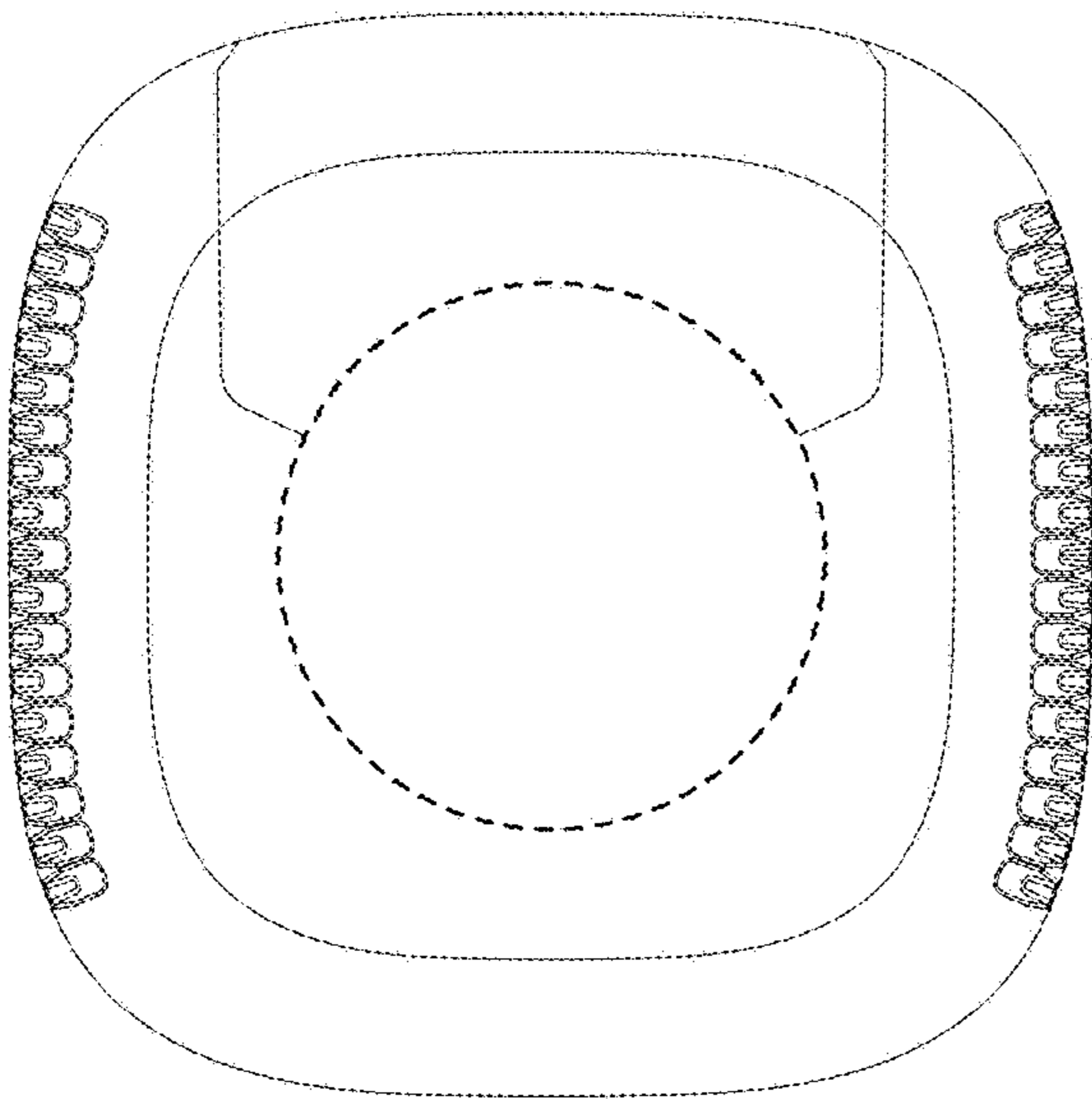
2.2



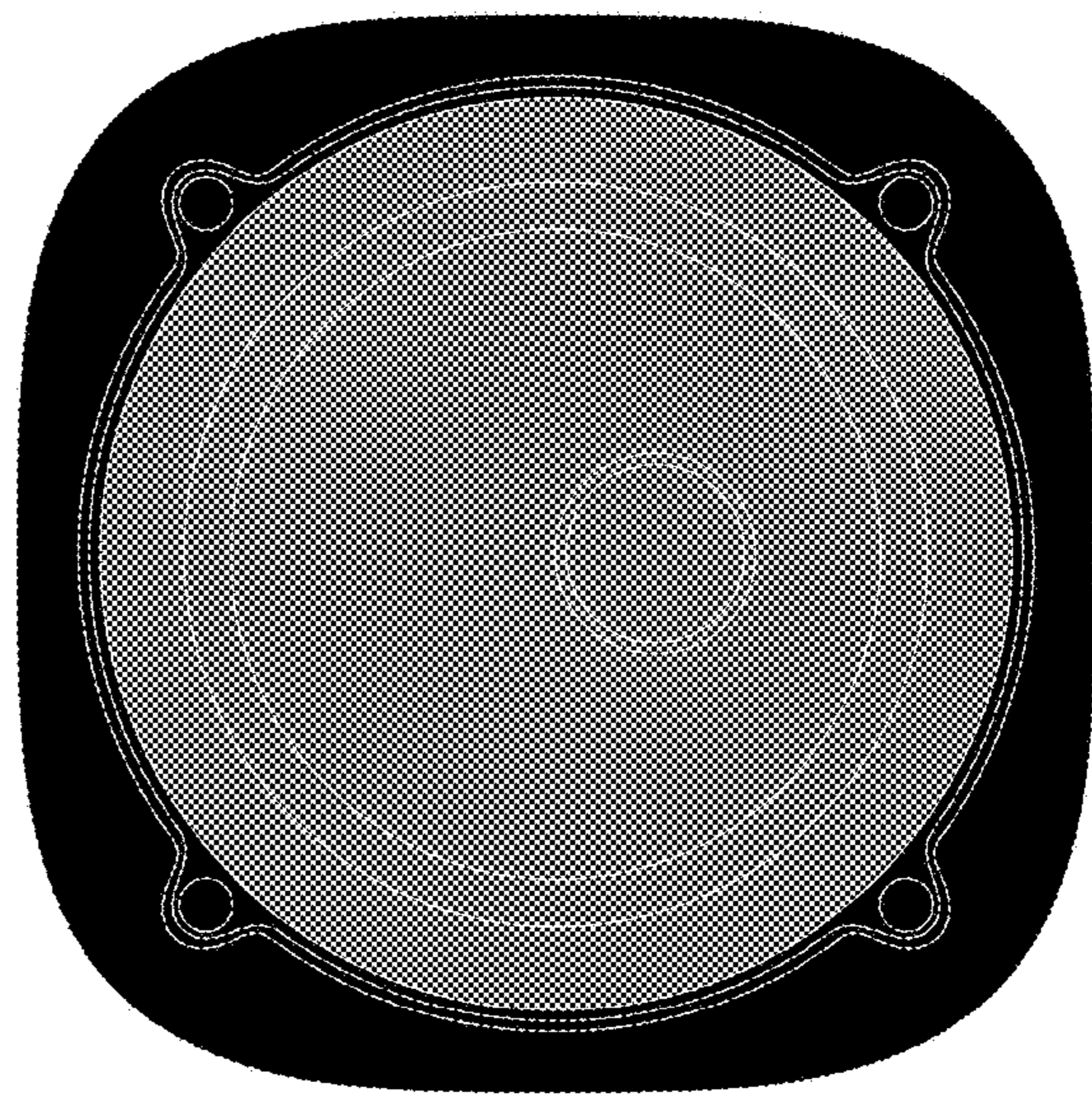
2.3



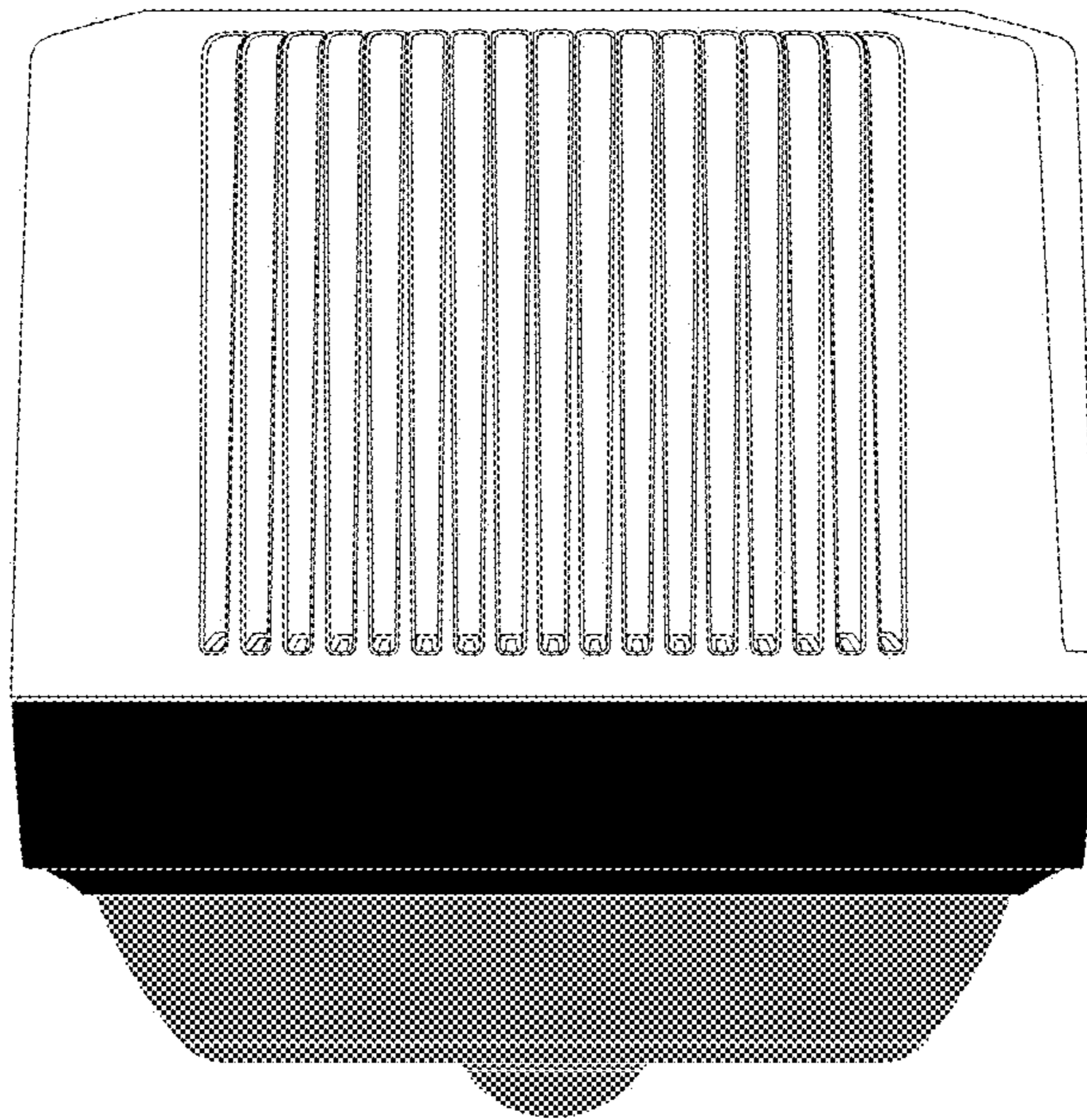
2.4



2.5



2.6



2.7