

US00D950625S

(12) **United States Design Patent**  
**Hirano et al.**

(10) **Patent No.:** **US D950,625 S**

(45) **Date of Patent:** **\*\* May 3, 2022**

(54) **VIDEO CAMERA**

(71) Applicant: **SONY CORPORATION**, Tokyo (JP)

(72) Inventors: **Shinsaku Hirano**, Kanagawa (JP);  
**Koichi Maeyama**, Kanagawa (JP); **Rui Morisawa**, Kanagawa (JP); **Tokusuke Tsujimoto**, Kanagawa (JP); **Koji Izumi**, Kanagawa (JP)

(73) Assignee: **SONY CORPORATION**, Tokyo (JP)

(\*\*) Term: **15 Years**

(21) Appl. No.: **29/662,441**

(22) Filed: **Sep. 5, 2018**

(30) **Foreign Application Priority Data**

Mar. 5, 2018 (JP) ..... 2018-004593

(51) **LOC (13) Cl.** ..... **16-05**

(52) **U.S. Cl.**  
USPC ..... **D16/219**; D16/202

(58) **Field of Classification Search**  
USPC ..... D16/200, 202–208, 210, 218, 219, 242;  
348/231.99, 373–376; 358/906;  
396/536–538  
CPC ..... G03B 17/02; G03B 19/04; G03B 17/56;  
G03B 17/04; G03B 15/03; G03B 17/14;  
H04N 5/2251; H04N 5/2252; H04N  
5/2253; H04N 5/2254  
See application file for complete search history.

(56) **References Cited**

**U.S. PATENT DOCUMENTS**

D541,325 S \* 4/2007 Sumita ..... D16/202  
D561,800 S 2/2008 Sadatsuki  
D598,941 S \* 8/2009 Tanifuji ..... D16/202

D657,409 S 4/2012 Miyashita  
D687,477 S 8/2013 Yasutomi et al.  
D695,330 S \* 12/2013 Shimizu ..... D16/202  
D705,843 S \* 5/2014 Kawai ..... D16/202  
D754,230 S \* 4/2016 Mori ..... D16/200  
D809,583 S \* 2/2018 Morishita ..... D16/202  
D826,305 S \* 8/2018 Ahman ..... D16/203  
D840,459 S \* 2/2019 Petty ..... D16/202  
D862,874 S \* 10/2019 Miyazawa ..... D3/202  
D872,157 S \* 1/2020 Nishiwaki ..... D16/202  
D875,156 S \* 2/2020 Tanifuji ..... D16/202  
D875,805 S \* 2/2020 Igarashi ..... D16/202

\* cited by examiner

*Primary Examiner* — Ramzi Almatrahi

(74) *Attorney, Agent, or Firm* — Michael Best and Friedrich LLP

(57) **CLAIM**

The ornamental design for a video camera, as shown and described.

**DESCRIPTION**

FIG. 1 is a top, front and left side perspective view of a video camera showing our new design;  
FIG. 2 is a top, front and right side perspective view thereof;  
FIG. 3 is a bottom, front and right side perspective view thereof;  
FIG. 4 is a front elevational view thereof;  
FIG. 5 is a rear elevational view thereof;  
FIG. 6 is a left side elevational view thereof;  
FIG. 7 is a right side elevational view thereof;  
FIG. 8 is a top plan view thereof; and,  
FIG. 9 is a bottom plan view thereof.

The broken lines depict portions of the video camera in which the design is embodied that form no part of the claimed design. The dot-dash broken lines denote the boundary of the claim and form no part of the claimed design.

**1 Claim, 9 Drawing Sheets**

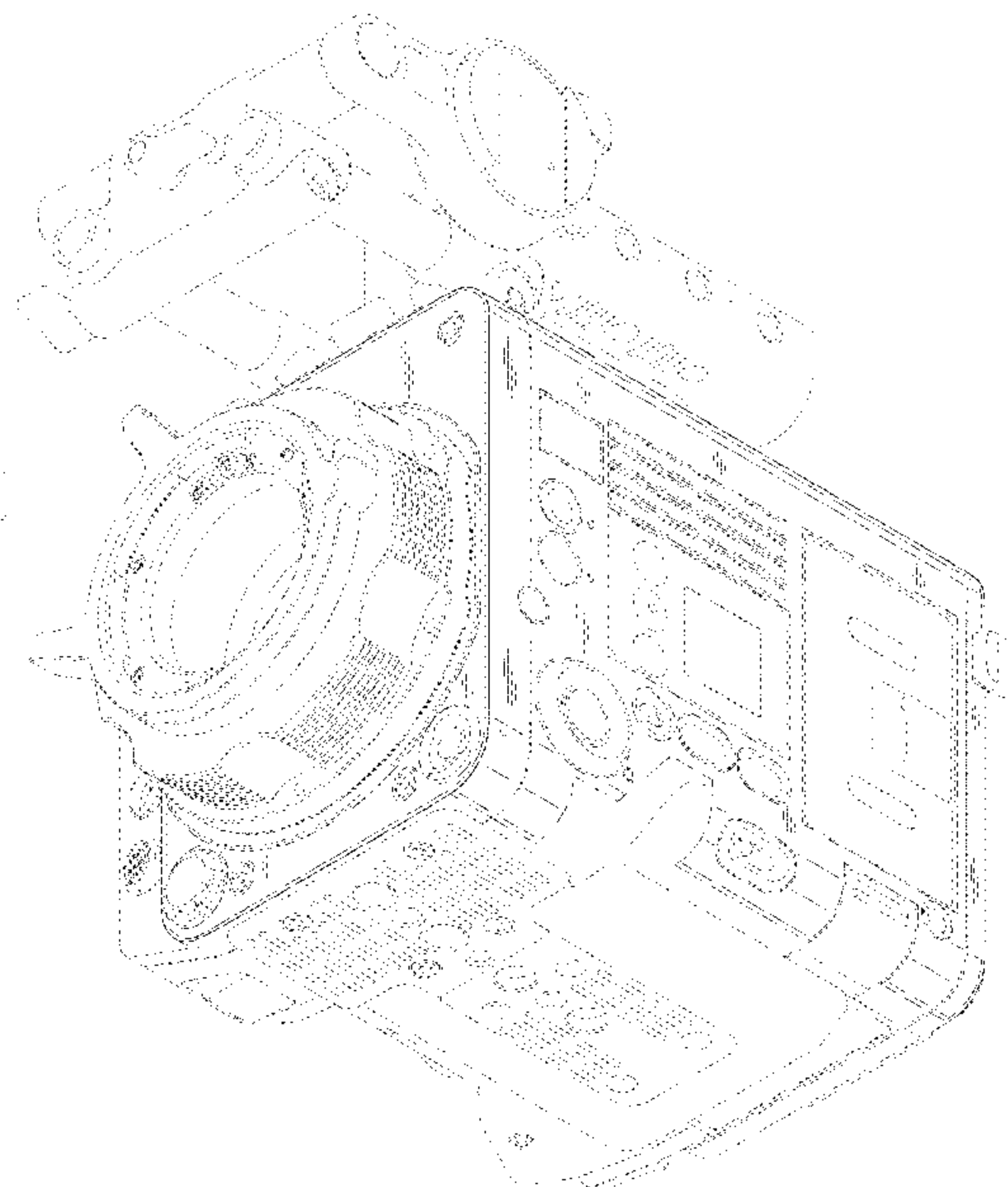
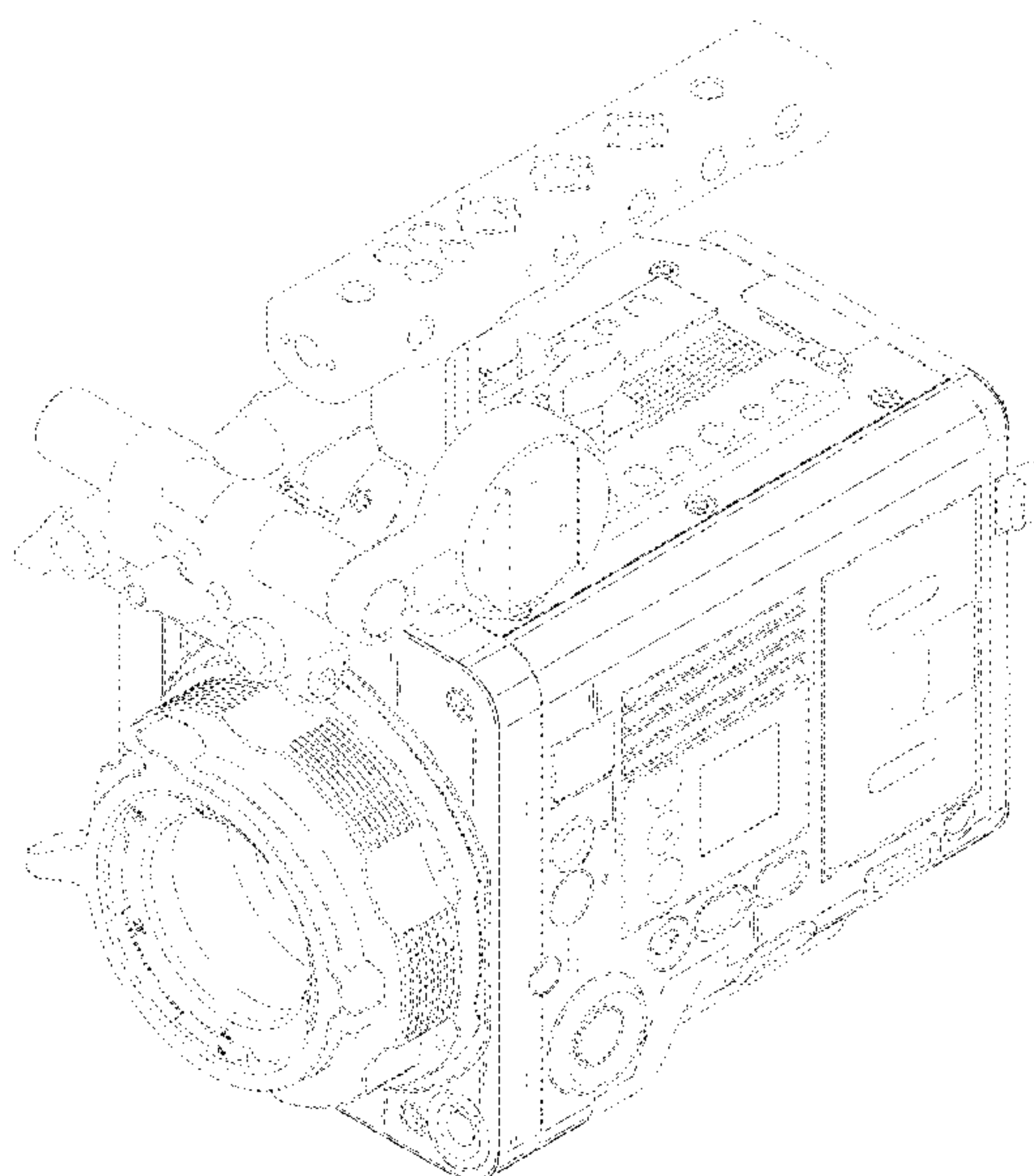


FIG. 1

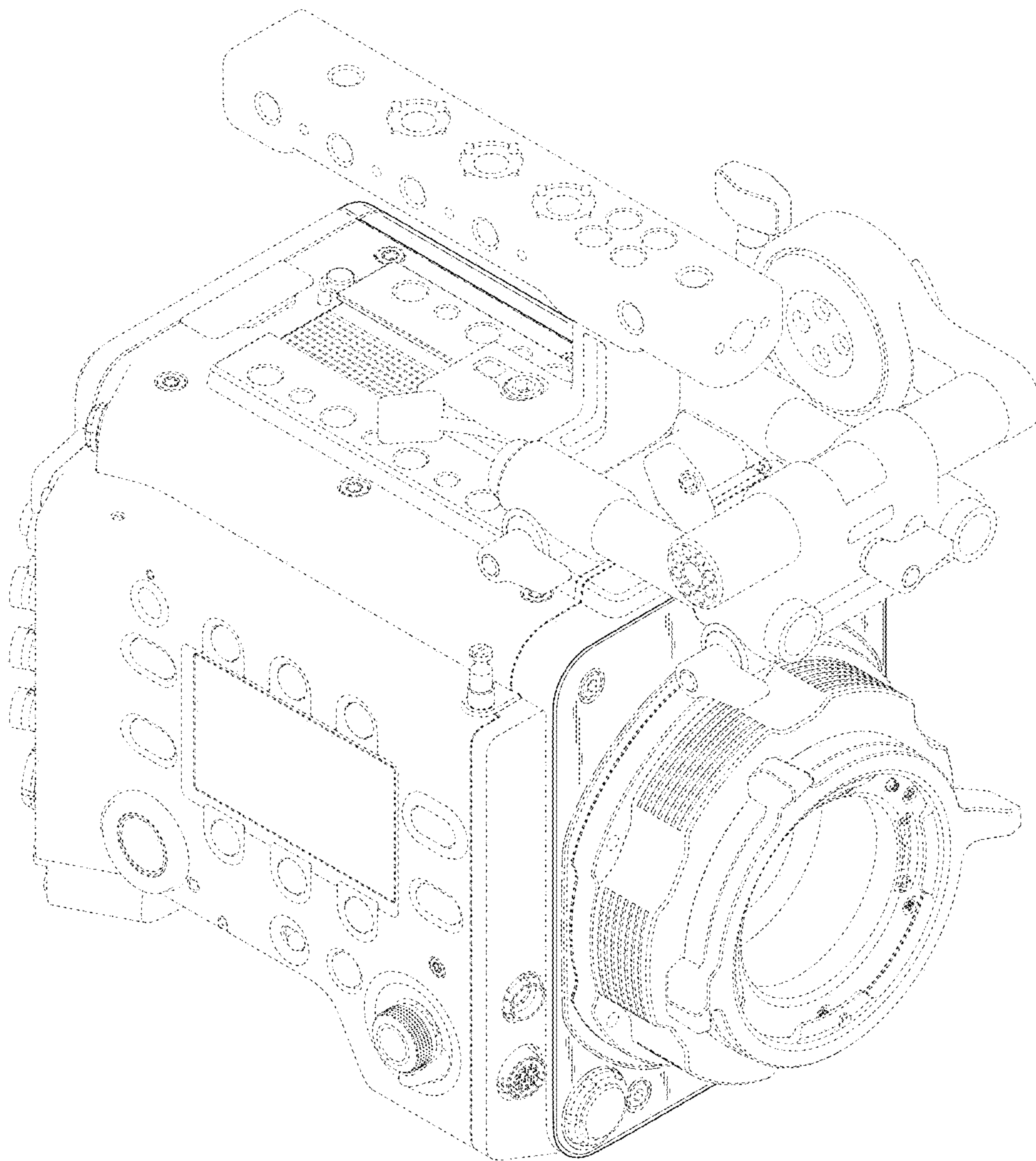




FIG.2

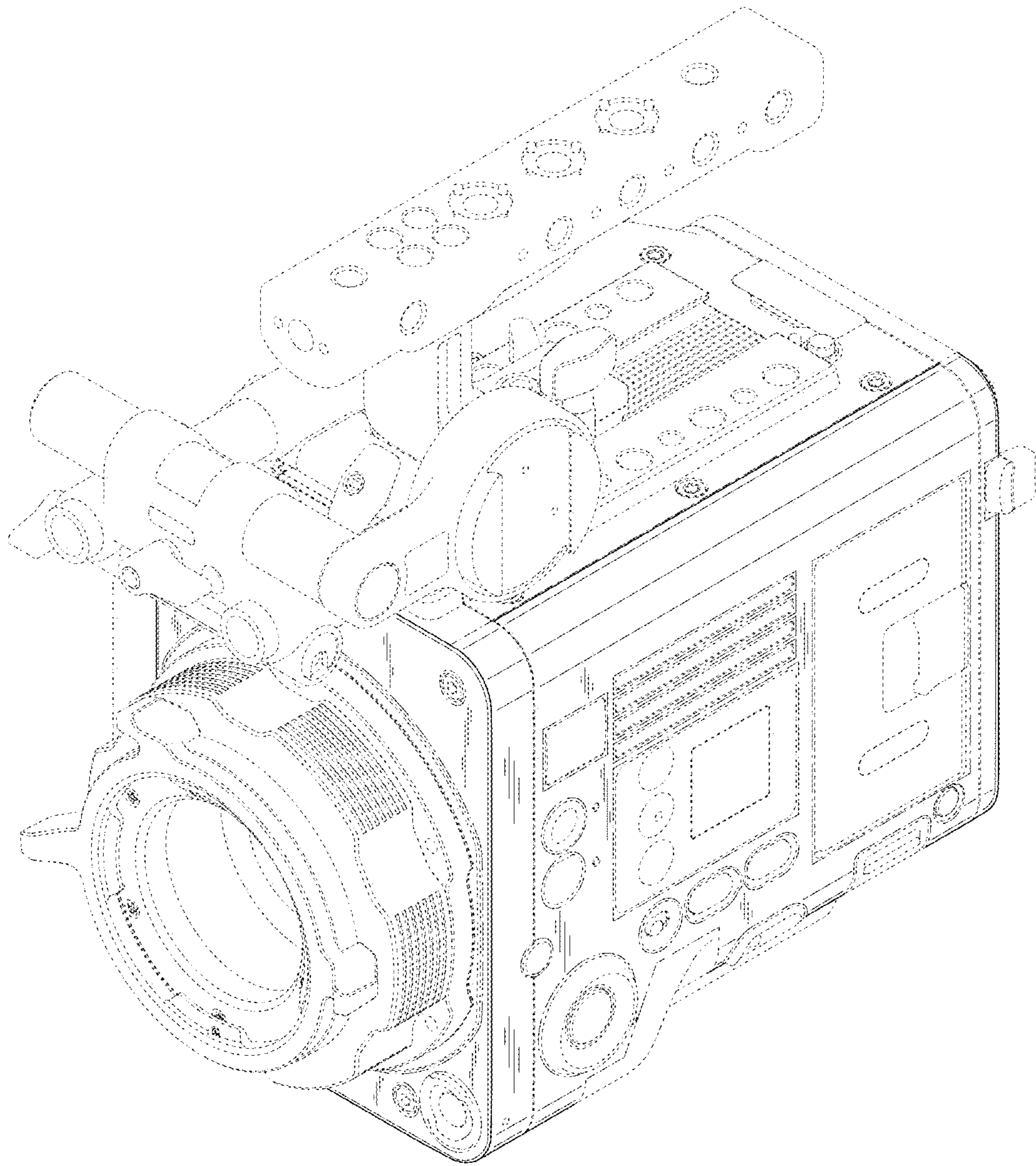


FIG.3

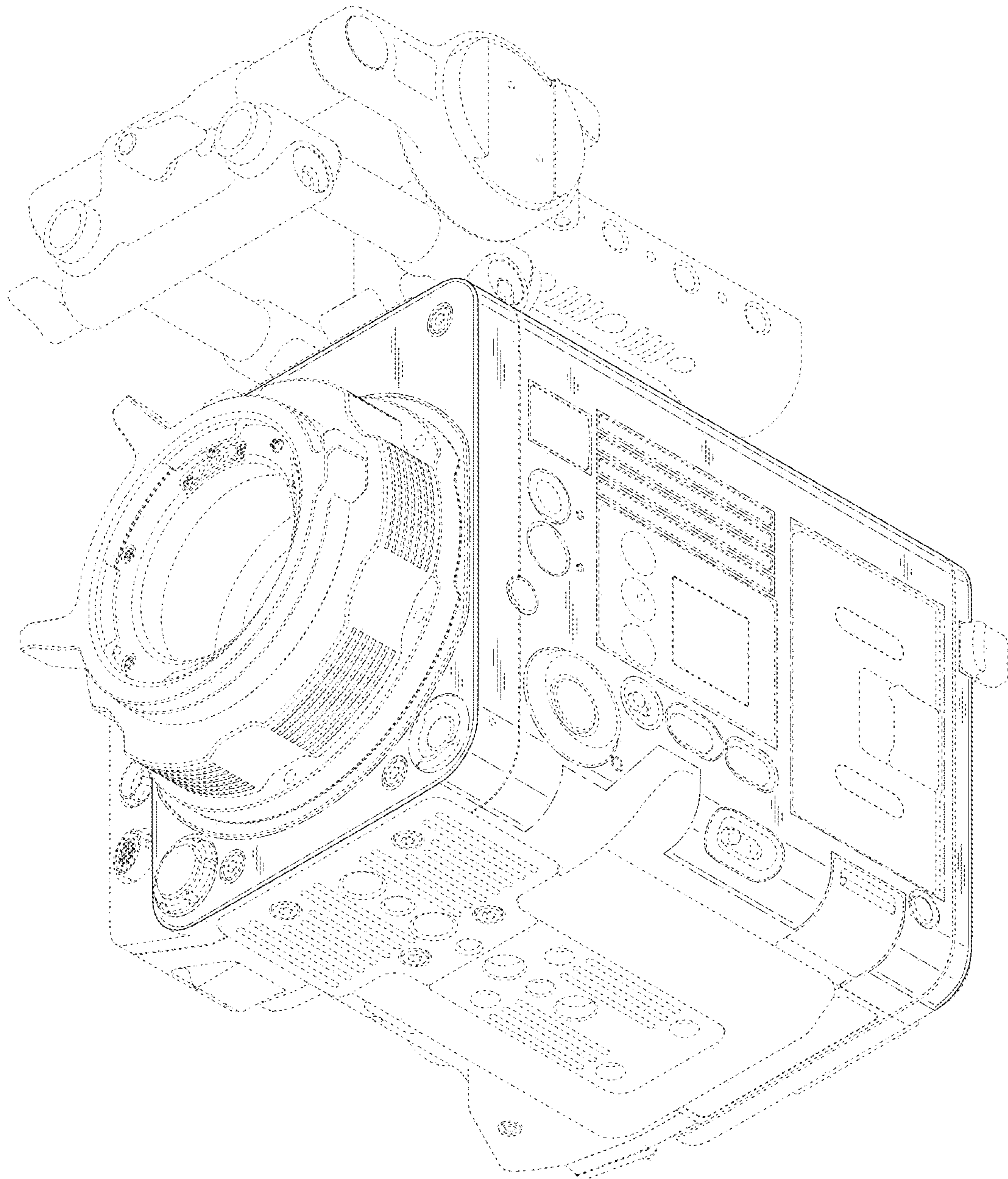


FIG.4

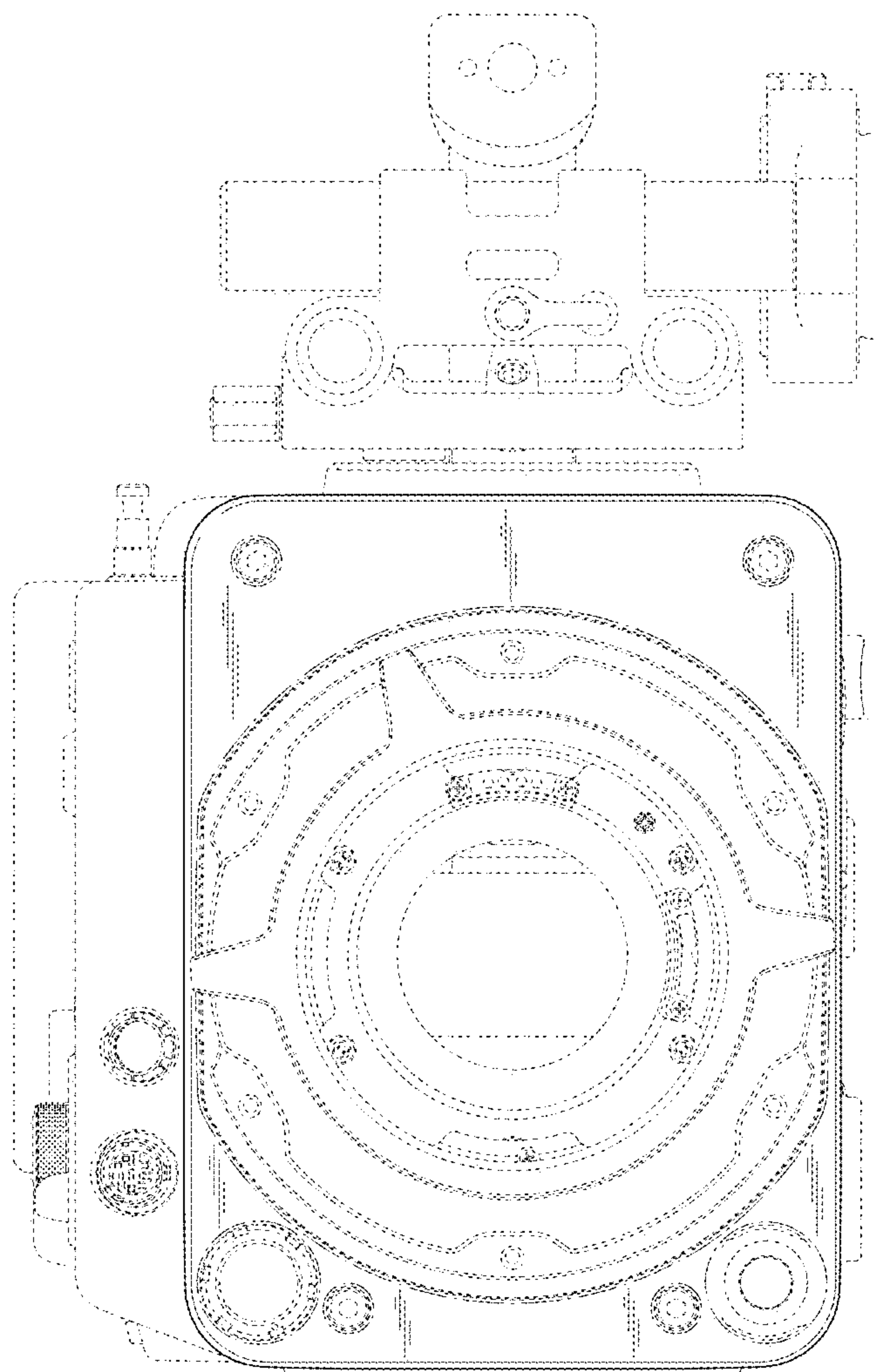




FIG.5

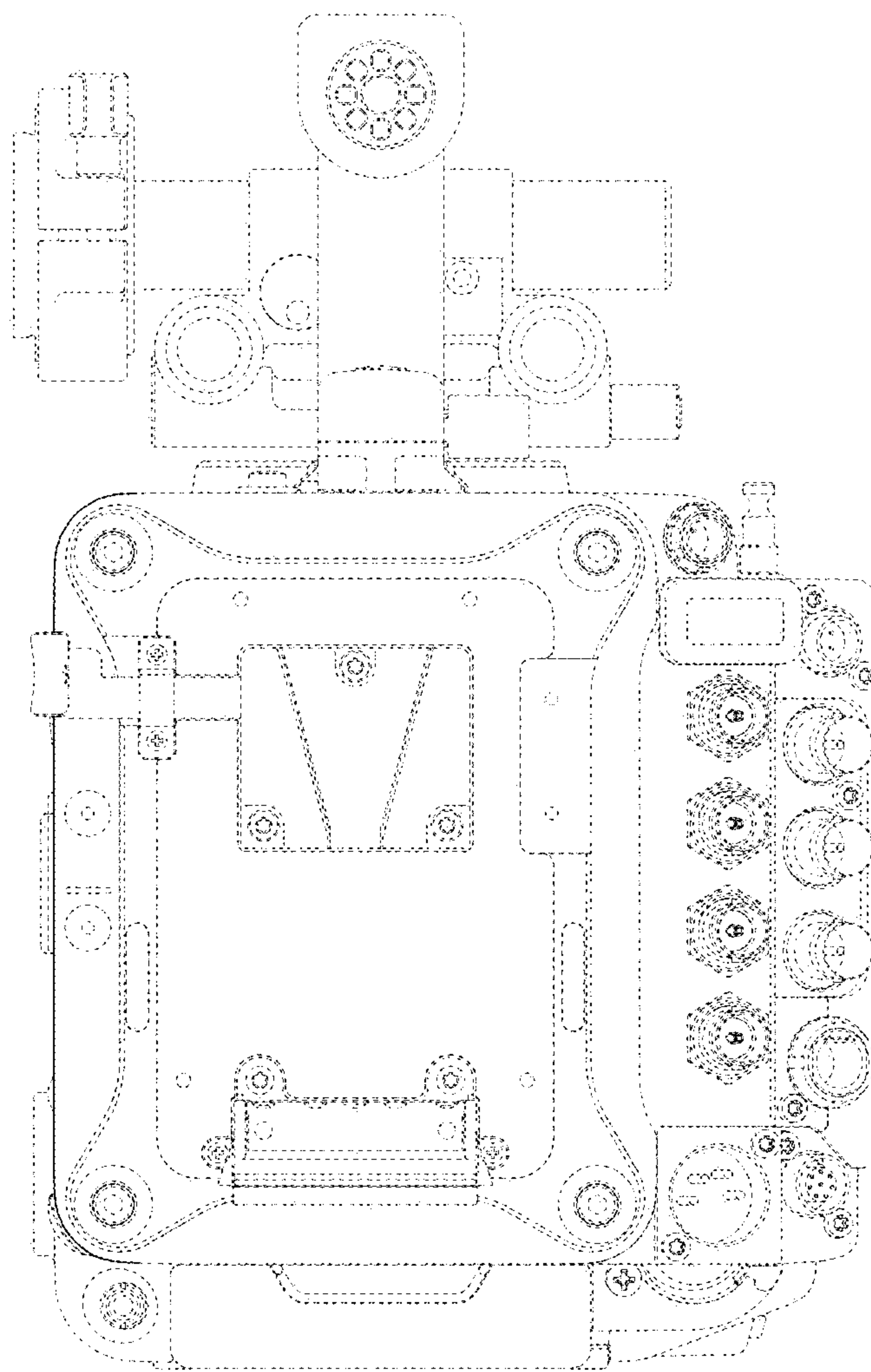


FIG.6

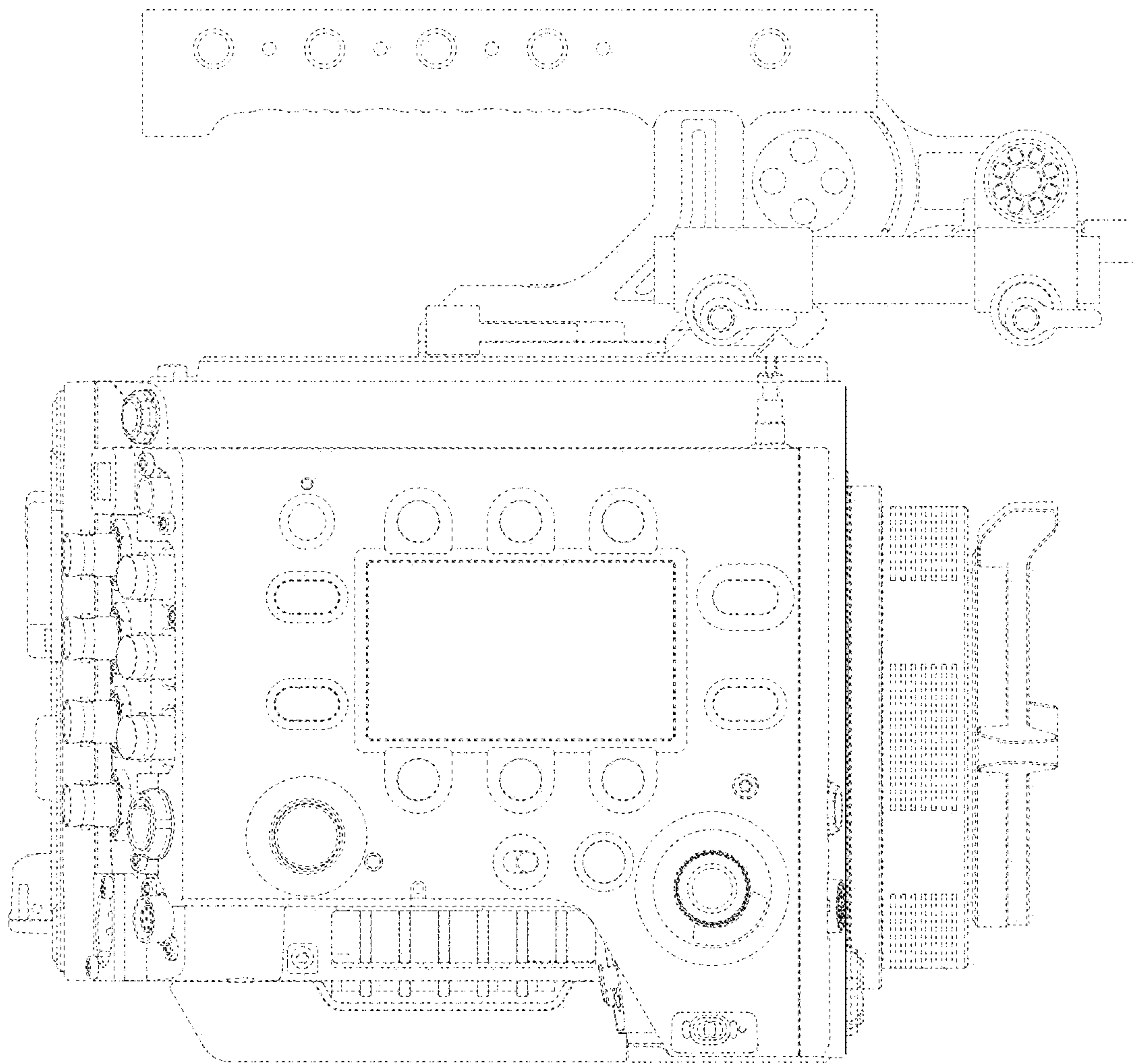


FIG.7

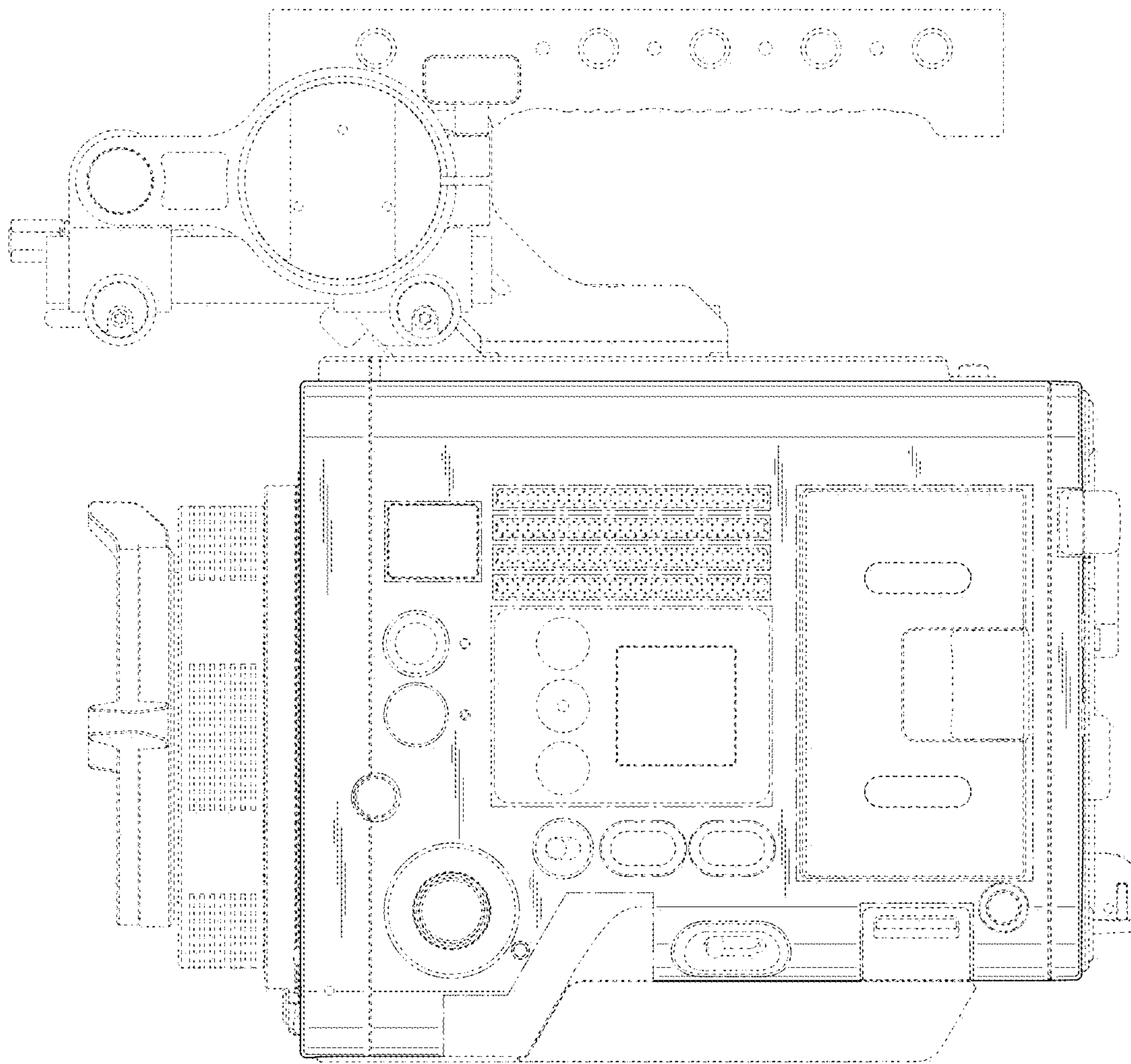




FIG.8

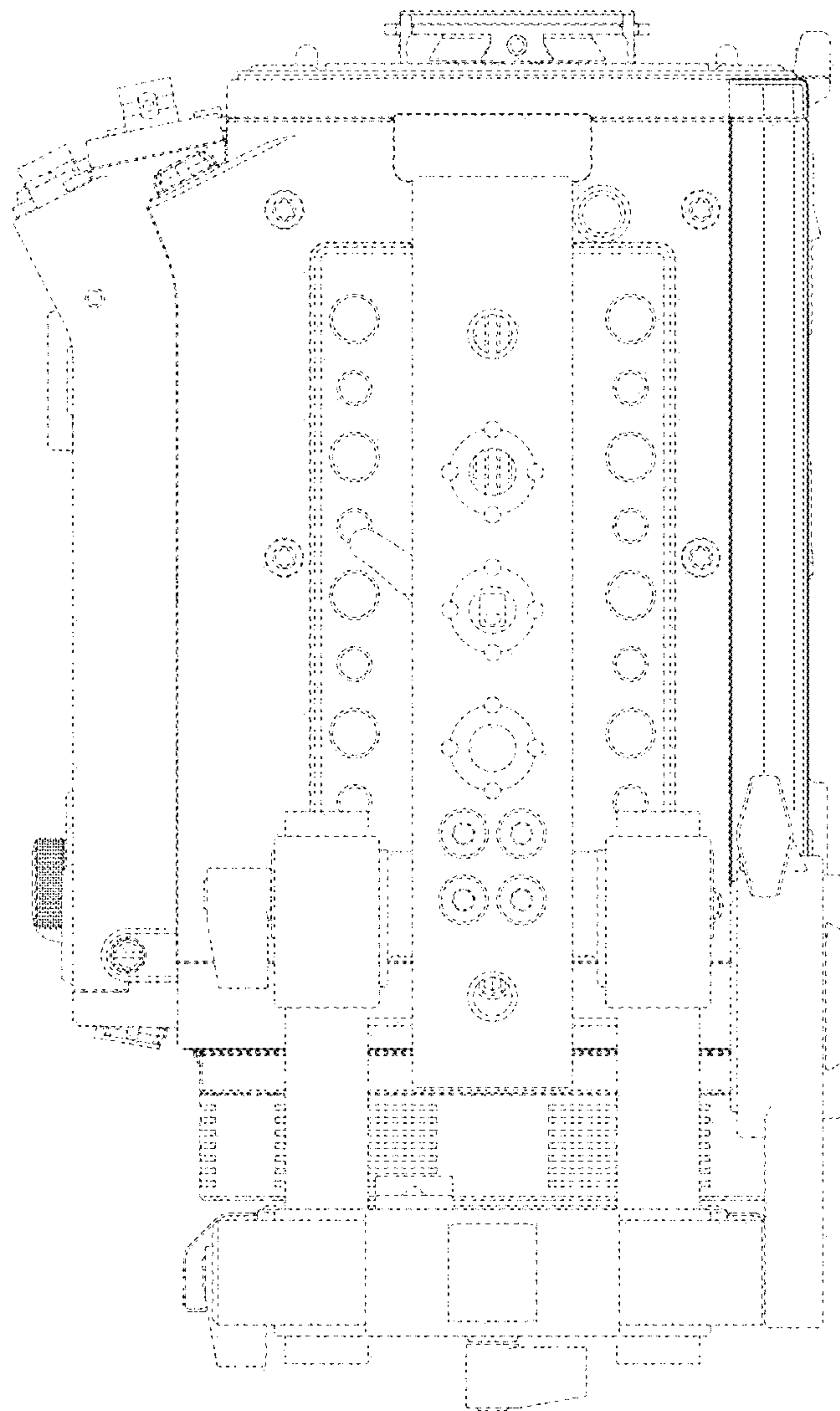


FIG.9

