



US00D950622S

(12) **United States Design Patent**
Fu

(10) **Patent No.:** **US D950,622 S**

(45) **Date of Patent:** **** May 3, 2022**

(54) **CAMERA**

(71) Applicant: **Jinhua Fu**, Shenzhen (CN)

(72) Inventor: **Jinhua Fu**, Shenzhen (CN)

(**) Term: **15 Years**

(21) Appl. No.: **29/767,961**

(22) Filed: **Jan. 26, 2021**

(51) **LOC (13) Cl.** **16-01**

(52) **U.S. Cl.**
USPC **D16/202**

(58) **Field of Classification Search**
USPC D16/200, 202–203, 208, 218, 219, 242;
248/187.1; 348/14.01–14.6, 143, 148,
348/151, 373–376; 396/419, 427, 428,
396/535, 539–541
CPC G03B 17/02; G03B 19/04; G03B 17/56;
G03B 17/04; G03B 15/03; H04N
2101/00; H04N 2007/145; H04N 7/141;
H04N 7/142; H04N 7/147; H04N 7/148;
H04N 7/15; H04N 7/152
See application file for complete search history.

(56) **References Cited**

U.S. PATENT DOCUMENTS

D654,942 S *	2/2012	Khamsepoor	D16/202
D665,439 S *	8/2012	Khamsepoor	D16/202
D675,660 S *	2/2013	Su	D16/202
D678,380 S *	3/2013	Pardo	D16/202
D680,144 S *	4/2013	Tsai	D16/202
D682,332 S *	5/2013	Wang	D16/202
D694,796 S *	12/2013	Tsai	D16/202
D709,117 S *	7/2014	Gan	D16/202
D783,075 S *	4/2017	Maxwell	D16/202
D822,745 S *	7/2018	Shang	D16/208

D849,089 S *	5/2019	Lu	D16/202
D881,970 S	4/2020	Peng		
D882,664 S	4/2020	Tang et al.		
D892,195 S	8/2020	Duffy et al.		
D901,570 S	11/2020	Hao		
D901,571 S	11/2020	Liu		
D902,976 S	11/2020	Han		
D903,737 S	12/2020	Han		
D904,490 S	12/2020	Mao et al.		
D905,782 S	12/2020	Duffy et al.		
D907,091 S	1/2021	Lv et al.		
D910,730 S *	2/2021	Hao	D16/202
D929,482 S *	8/2021	Livaudais	D16/202

* cited by examiner

Primary Examiner — Ramzi Almatrahi

(74) *Attorney, Agent, or Firm* — Law Offices of Steven W. Weinrieb

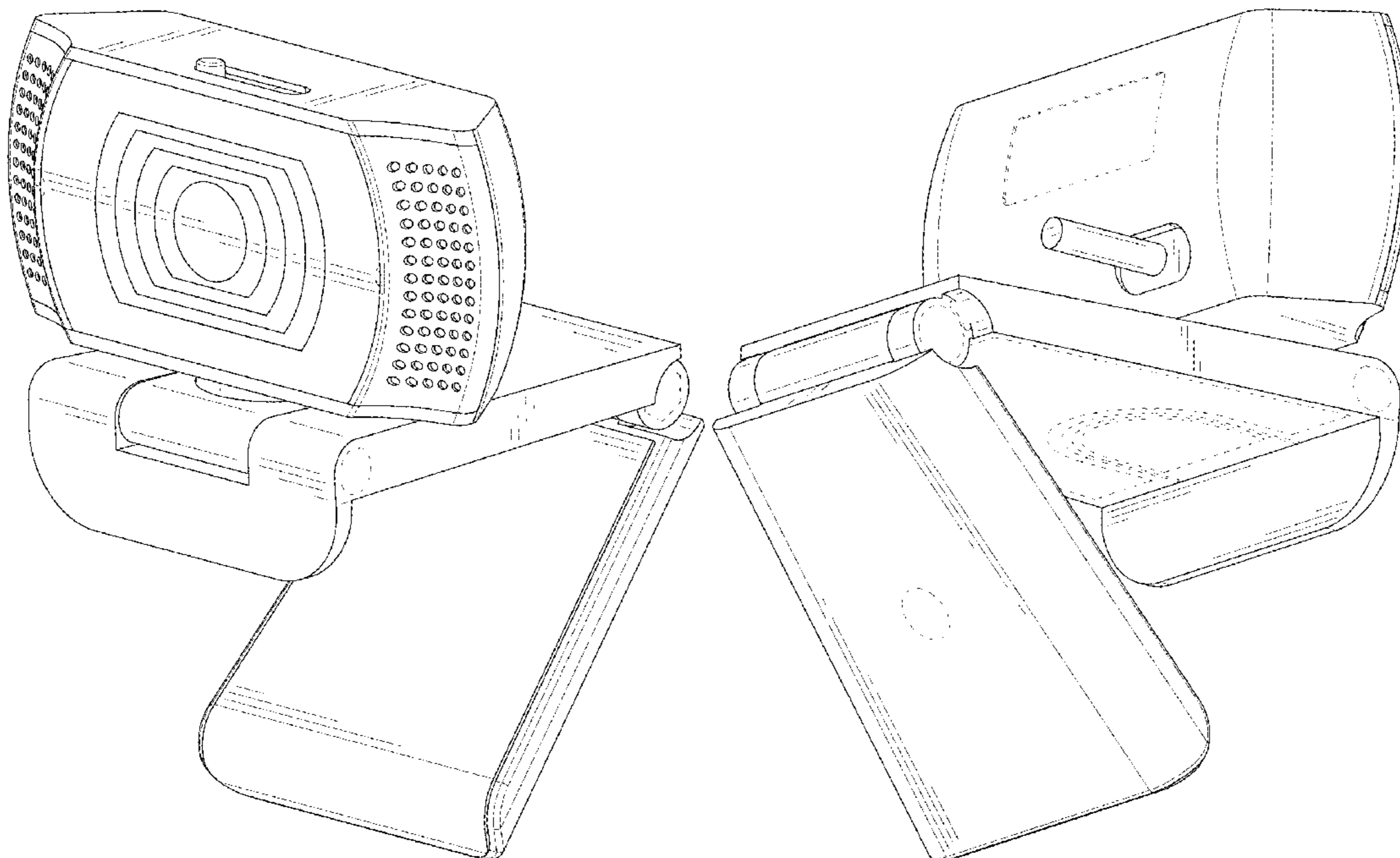
(57) **CLAIM**

The ornamental design for a camera, as shown and described.

DESCRIPTION

FIG. 1 is a top, front and right side perspective view of a camera showing my new design;
FIG. 2 is a bottom, rear and left side perspective view thereof;
FIG. 3 is a front elevational view thereof;
FIG. 4 is a rear elevational view thereof;
FIG. 5 is a left side elevational view thereof;
FIG. 6 is a right side elevational view thereof;
FIG. 7 is a top plan view thereof; and,
FIG. 8 is a bottom plan view thereof.
The broken lines depict portions of the camera that form no part of the claimed design.

1 Claim, 8 Drawing Sheets



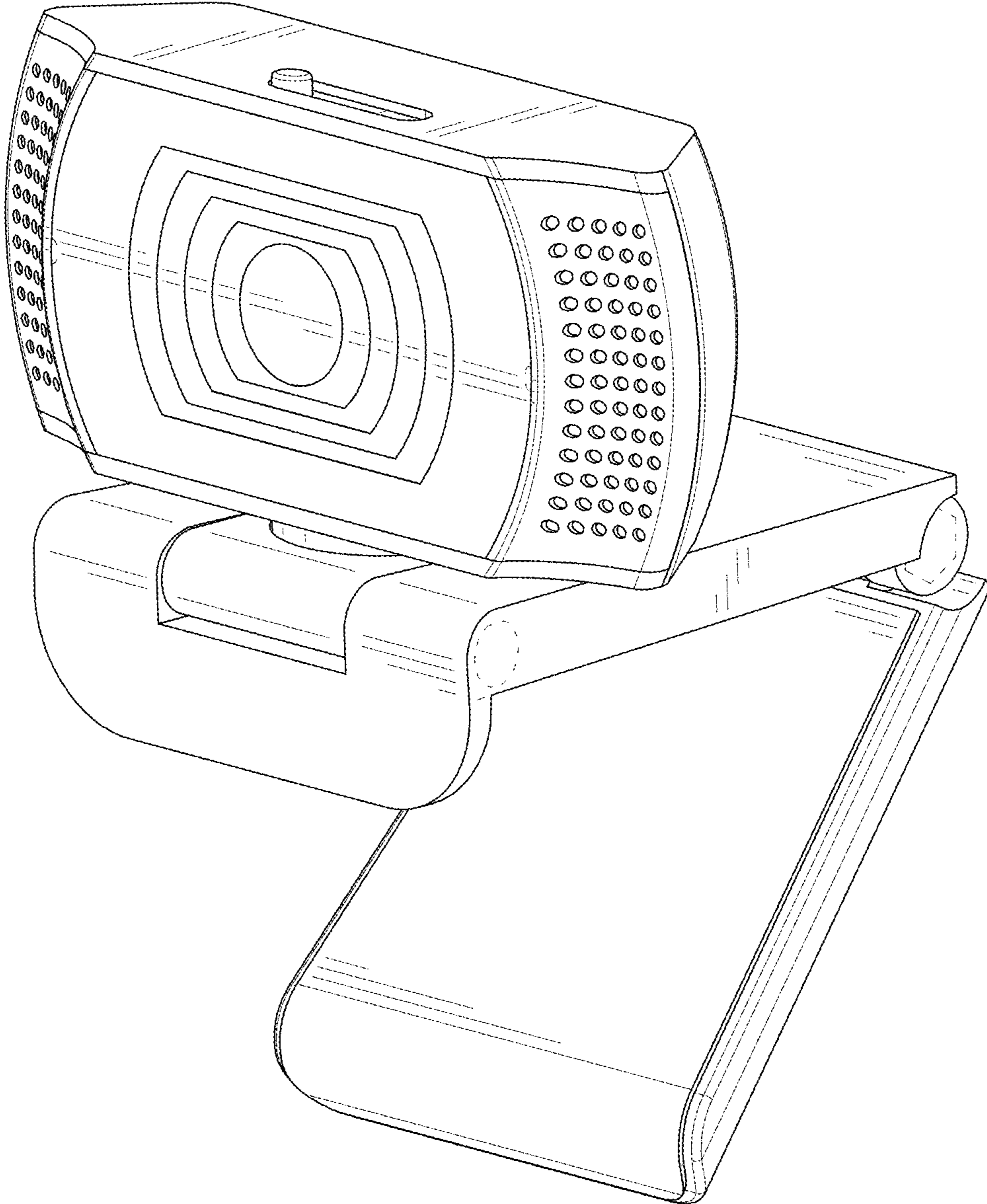


FIG.1

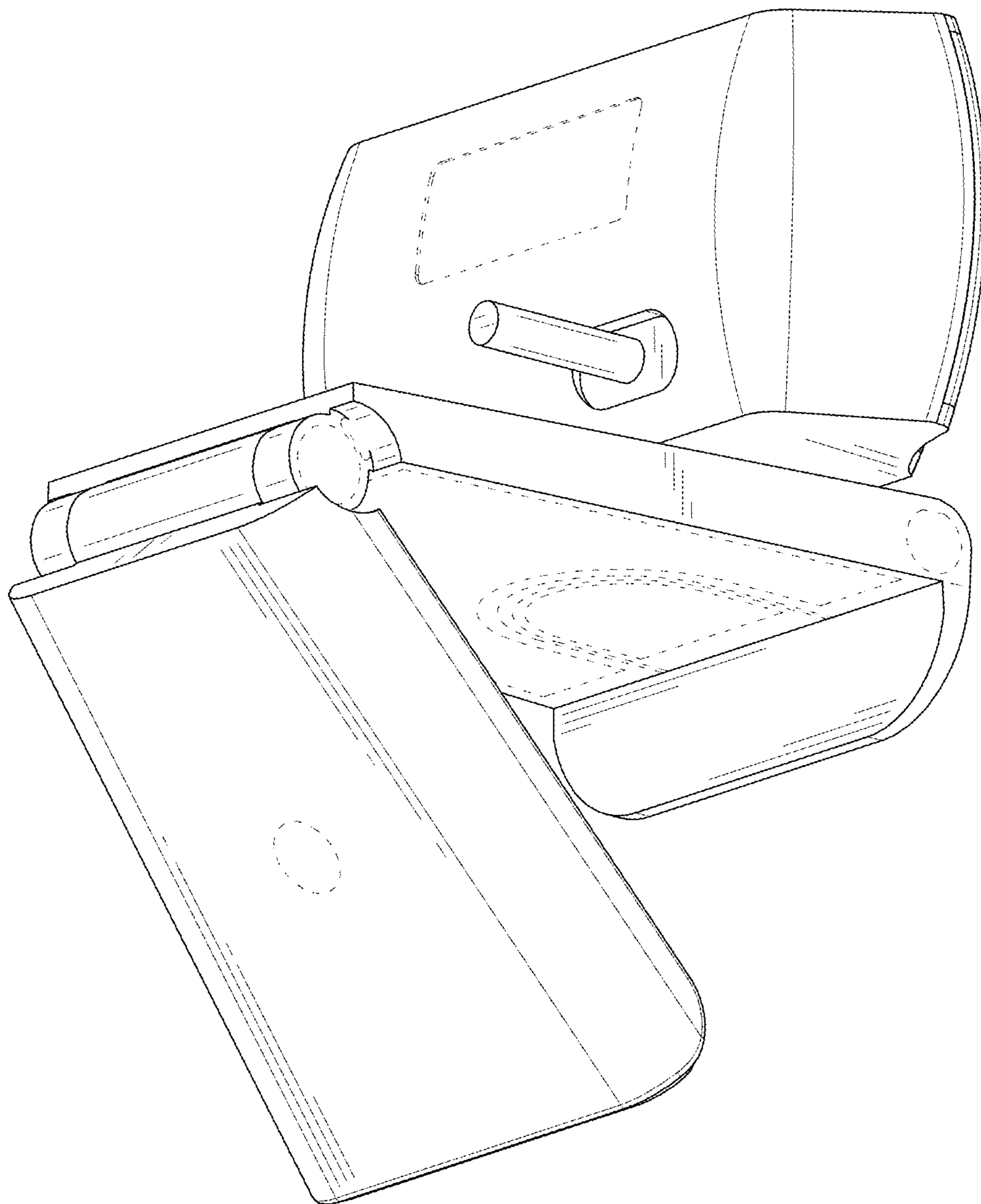


FIG.2

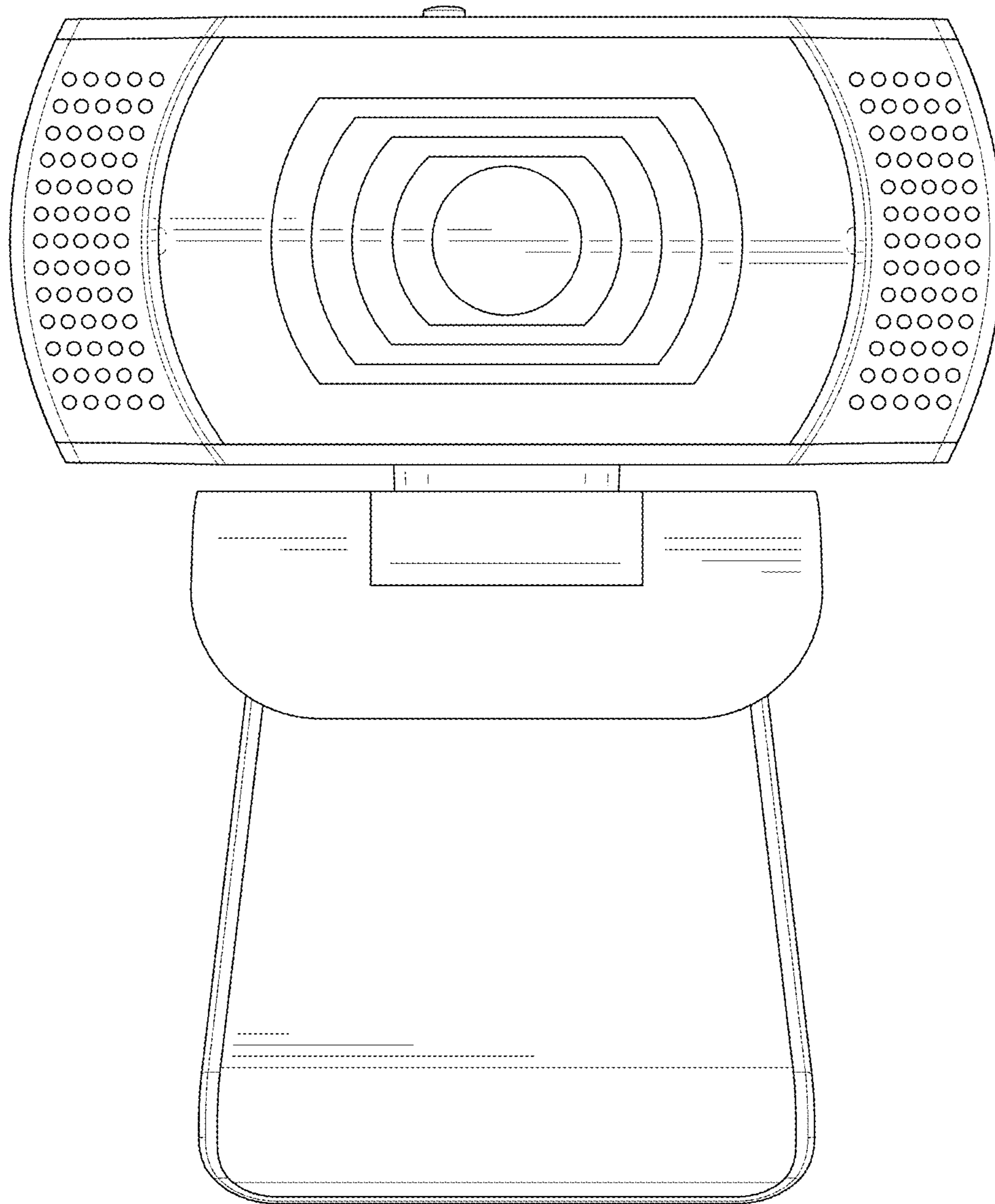


FIG.3

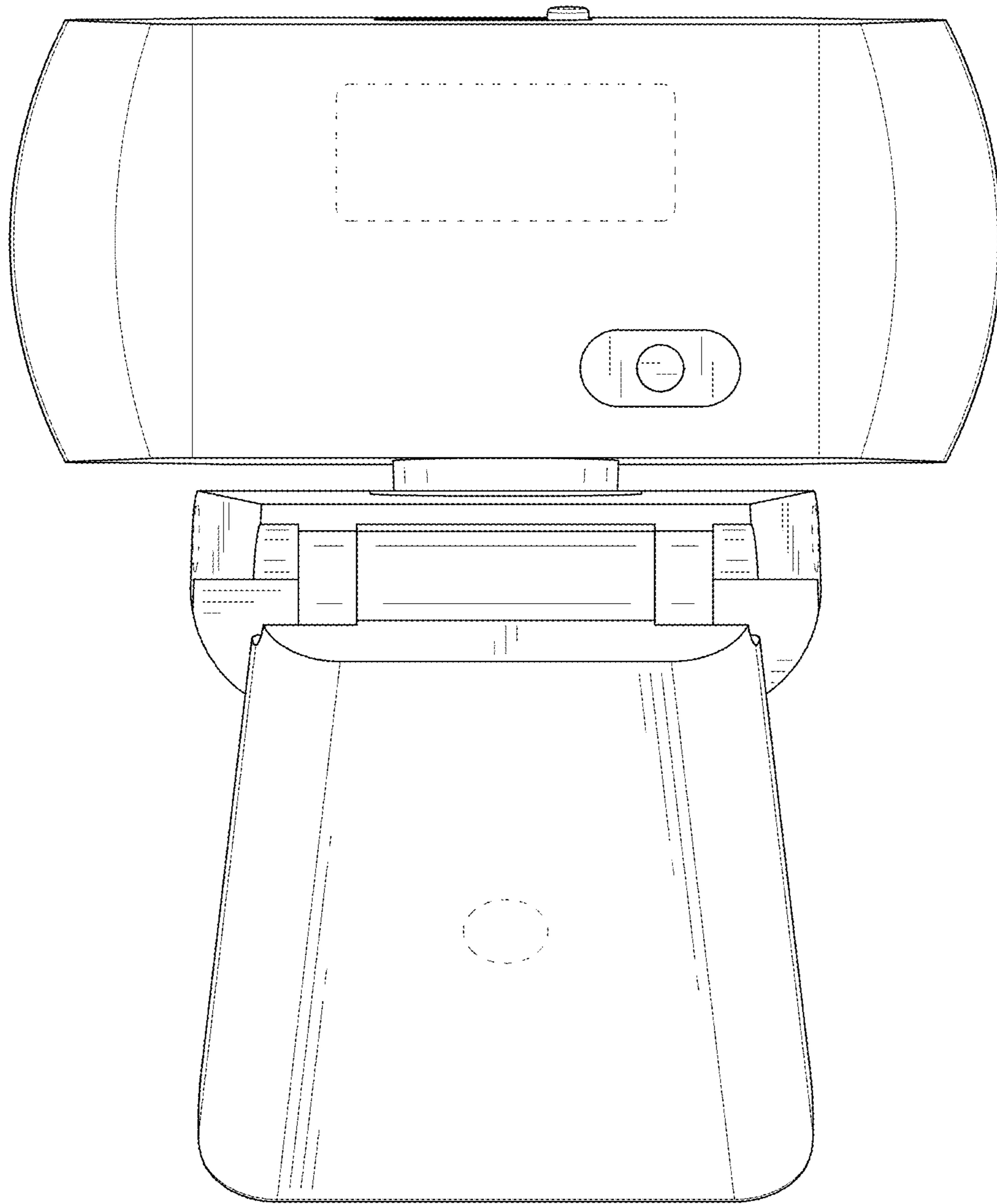


FIG.4

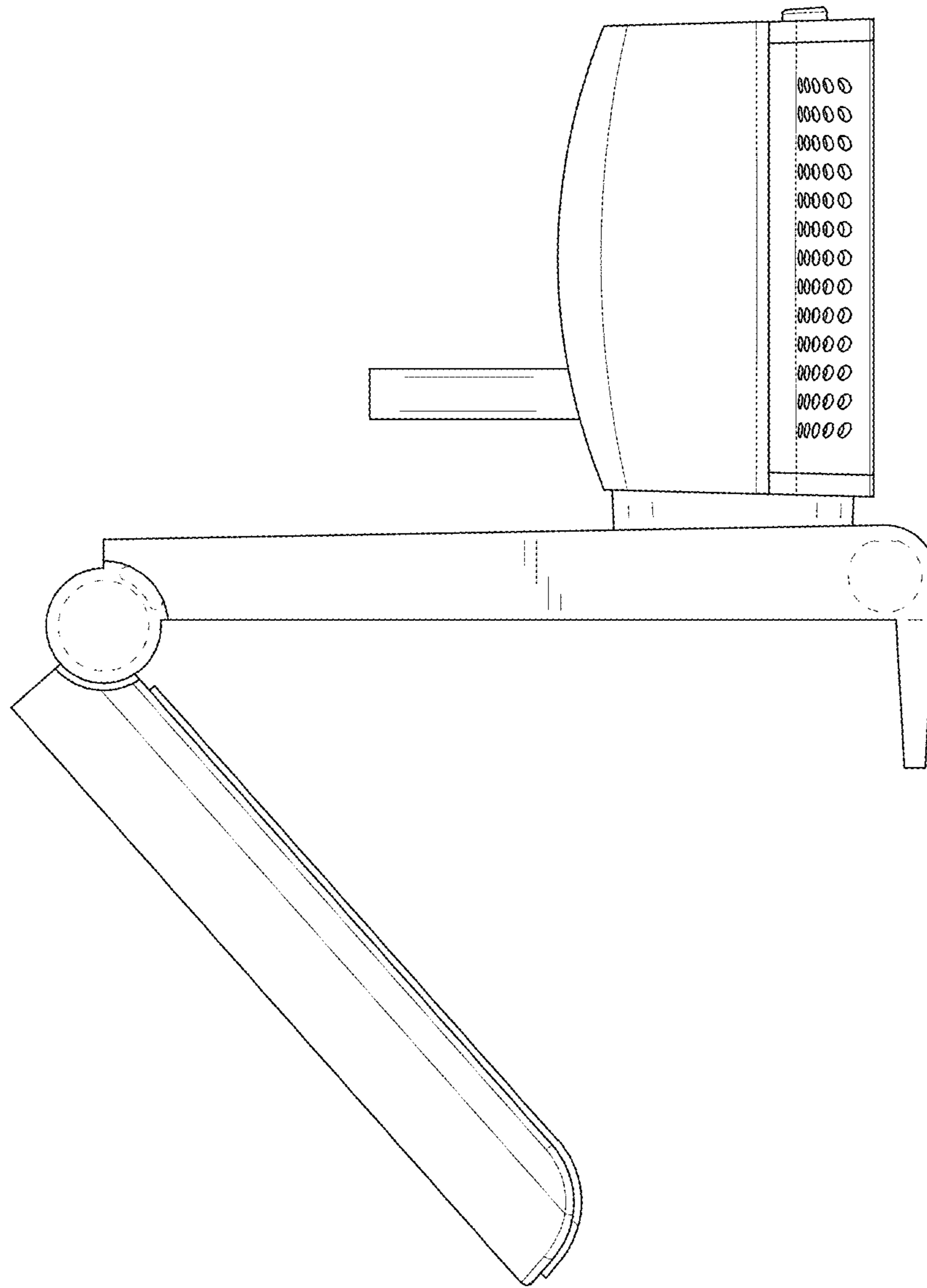


FIG.5

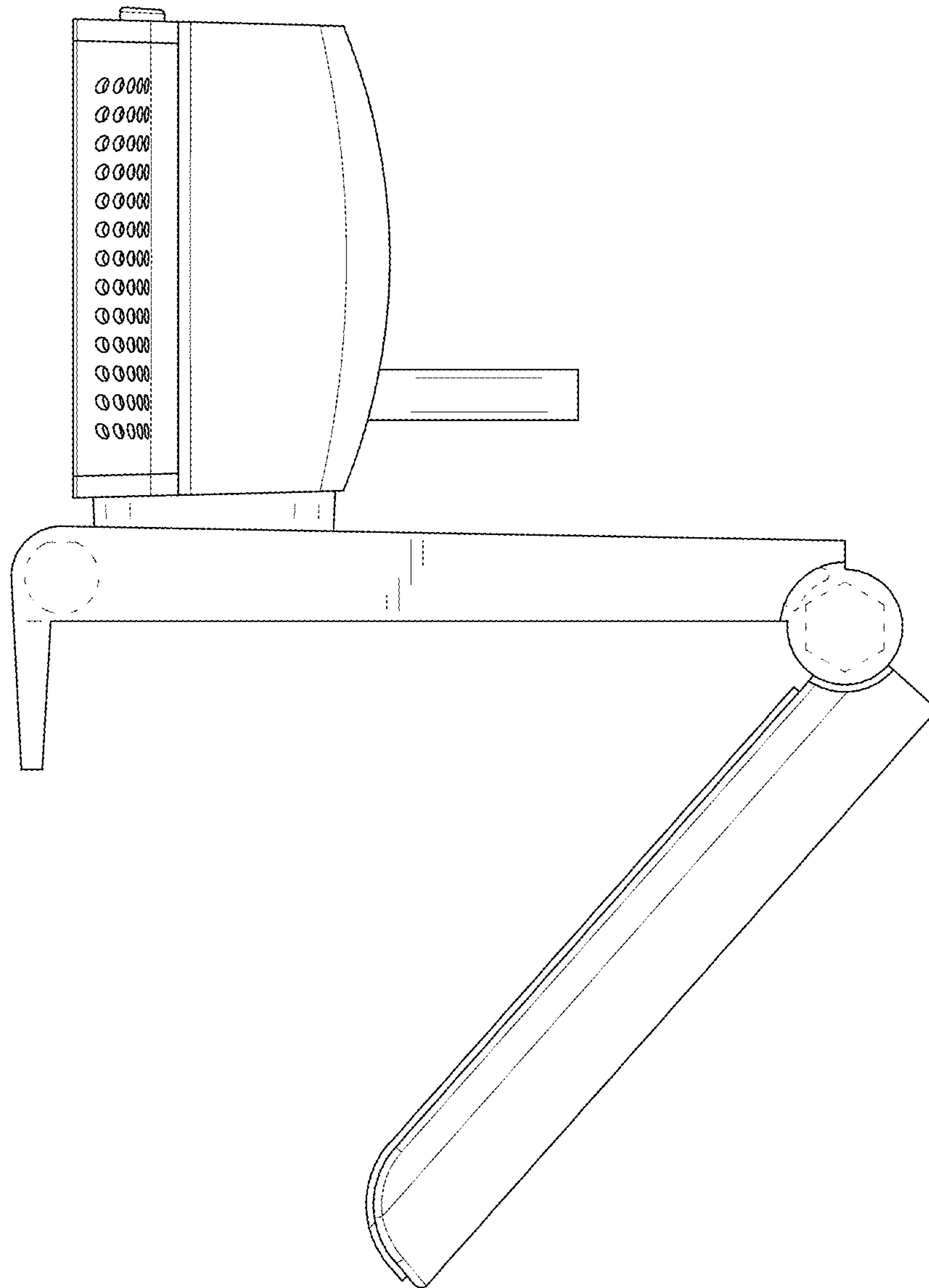


FIG.6

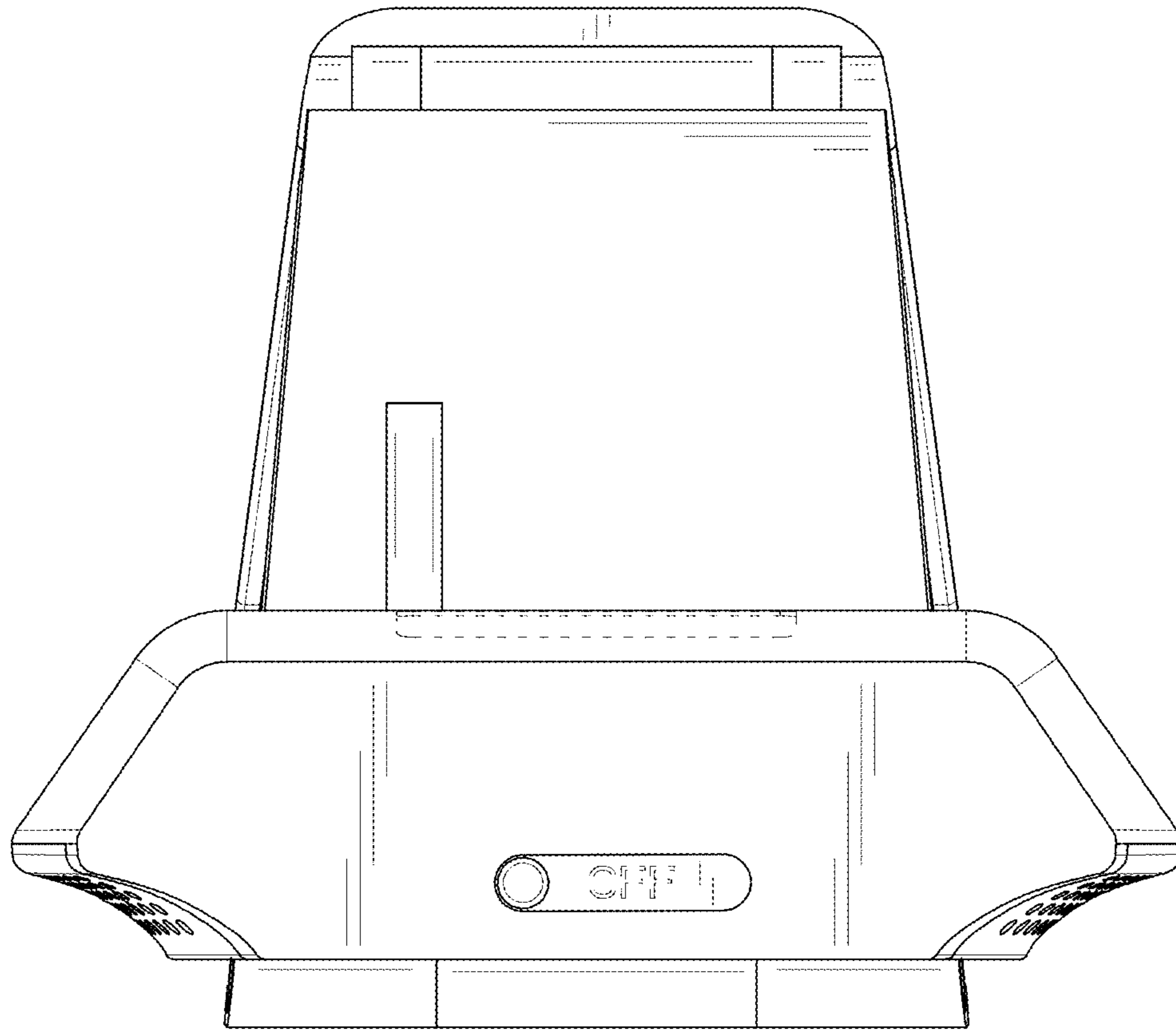


FIG.7

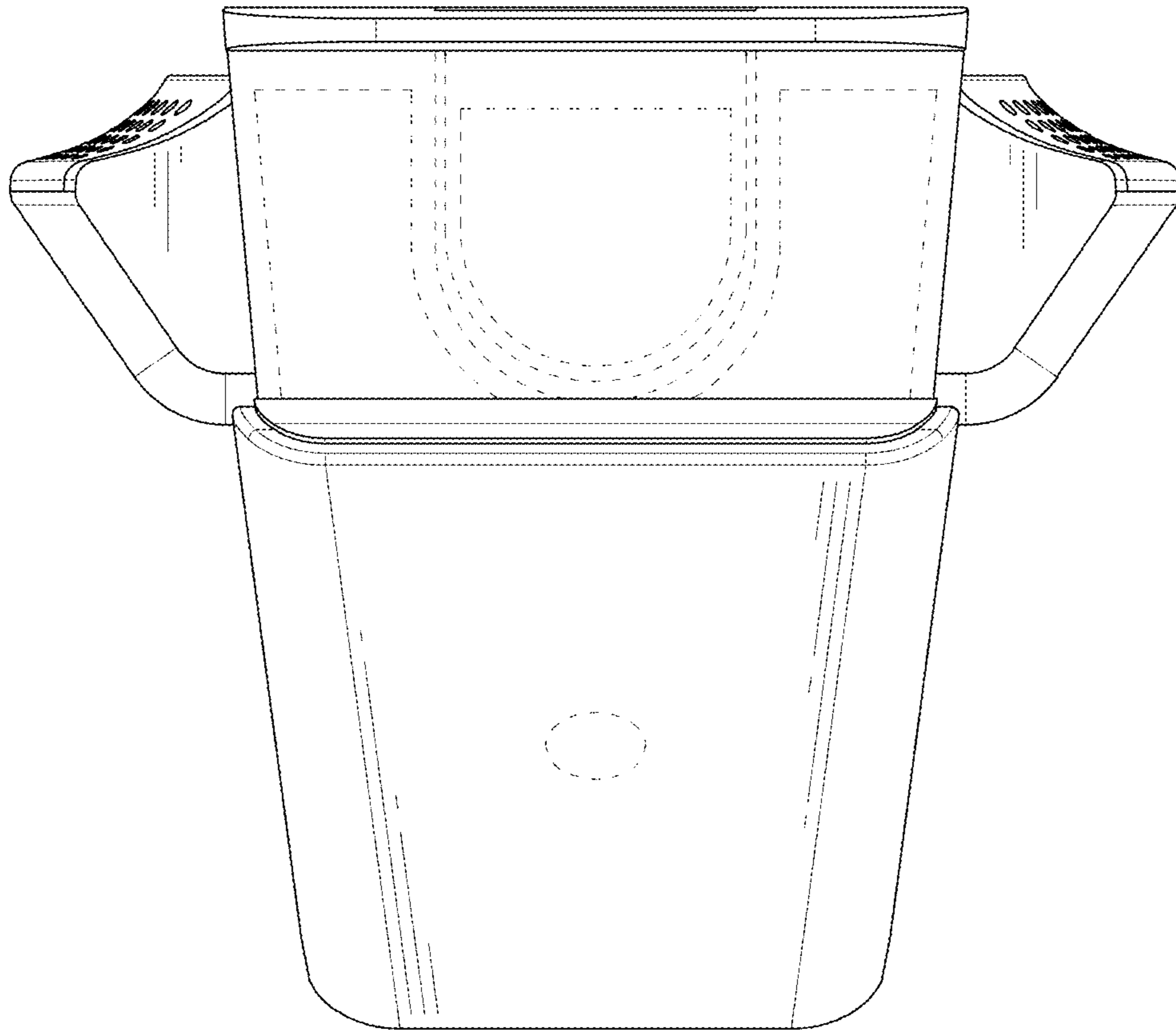


FIG.8