



US00D950621S

(12) **United States Design Patent**
Fu

(10) **Patent No.:** **US D950,621 S**
(45) **Date of Patent:** **** May 3, 2022**

- (54) **CAMERA**
- (71) Applicant: **Jinhua Fu**, Shenzhen (CN)
- (72) Inventor: **Jinhua Fu**, Shenzhen (CN)
- (**) Term: **15 Years**
- (21) Appl. No.: **29/767,960**
- (22) Filed: **Jan. 26, 2021**
- (51) **LOC (13) Cl.** **16-01**
- (52) **U.S. Cl.**
USPC **D16/202**
- (58) **Field of Classification Search**
USPC D16/200, 202–203, 208, 218, 219, 242;
248/187.1; 348/14.01–14.6, 143, 148,
348/151, 373–376; 396/419, 427, 428,
396/535, 539–541
CPC G03B 17/02; G03B 19/04; G03B 17/56;
G03B 17/04; G03B 15/03; H04N
2101/00; H04N 2007/145; H04N 7/141;
H04N 7/142; H04N 7/147; H04N 7/148;
H04N 7/15; H04N 7/152
See application file for complete search history.

D882,664 S	4/2020	Tang et al.	
D892,195 S	8/2020	Duffy et al.	
D901,570 S	11/2020	Hao	
D901,571 S	11/2020	Liu	
D902,976 S	11/2020	Han	
D903,737 S	12/2020	Han	
D904,490 S	12/2020	Mao et al.	
D905,782 S	12/2020	Duffy et al.	
D907,091 S	1/2021	Lv et al.	
D910,730 S	* 2/2021	Hao	D16/202
D929,482 S	* 8/2021	Livaudais	D16/202

* cited by examiner

Primary Examiner — Ramzi Almatrahi
(74) *Attorney, Agent, or Firm* — Law Offices of Steven W. Weinrieb

(57) **CLAIM**

The ornamental design for a camera, as shown and described.

DESCRIPTION

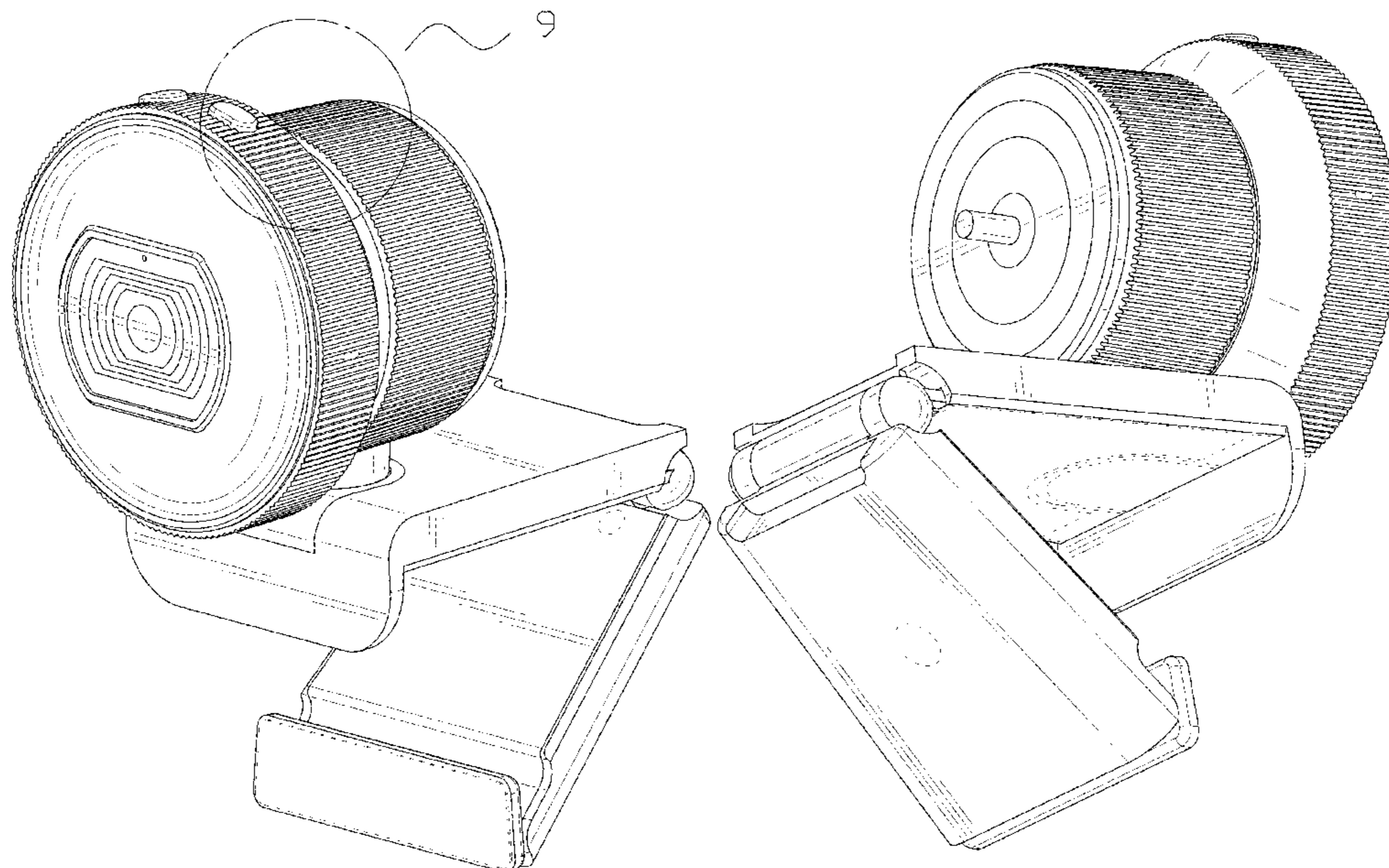
FIG. 1 is a top, front and right side perspective view of a camera showing my new design;
 FIG. 2 is a bottom, rear and left side perspective view thereof;
 FIG. 3 is a front elevational view thereof;
 FIG. 4 is a rear elevational view thereof;
 FIG. 5 is a left side elevational view thereof;
 FIG. 6 is a right side elevational view thereof;
 FIG. 7 is a top plan view thereof;
 FIG. 8 is a bottom plan view thereof; and,
 FIG. 9 is an enlarged view of portion 9 shown in FIG. 1.
 The broken lines depict portions of the camera that form no part of the claimed design. Additionally, the dot-dash broken lines encircling an enlargement portion of the design forms no part of the claimed design.

1 Claim, 9 Drawing Sheets

(56) **References Cited**

U.S. PATENT DOCUMENTS

D654,942 S	*	2/2012	Khamsepoor	D16/202
D665,439 S	*	8/2012	Khamsepoor	D16/202
D675,660 S	*	2/2013	Su	D16/202
D678,380 S	*	3/2013	Pardo	D16/202
D680,144 S	*	4/2013	Tsai	D16/202
D682,332 S	*	5/2013	Wang	D16/202
D694,796 S	*	12/2013	Tsai	D16/202
D709,117 S	*	7/2014	Gan	D16/202
D783,075 S	*	4/2017	Maxwell	D16/202
D822,745 S	*	7/2018	Shang	D16/208
D849,089 S	*	5/2019	Lu	D16/202
D881,970 S		4/2020	Peng		



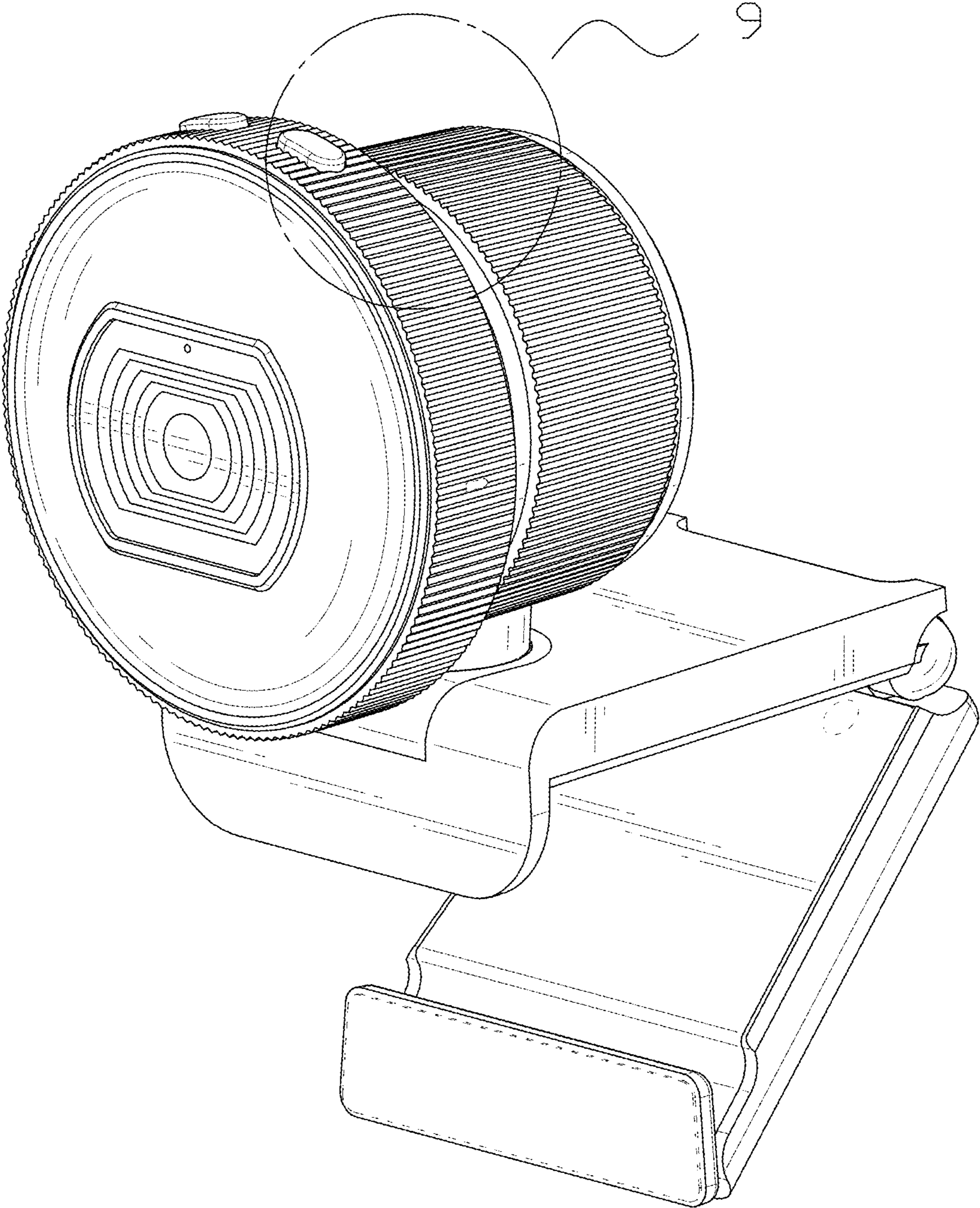


FIG.1

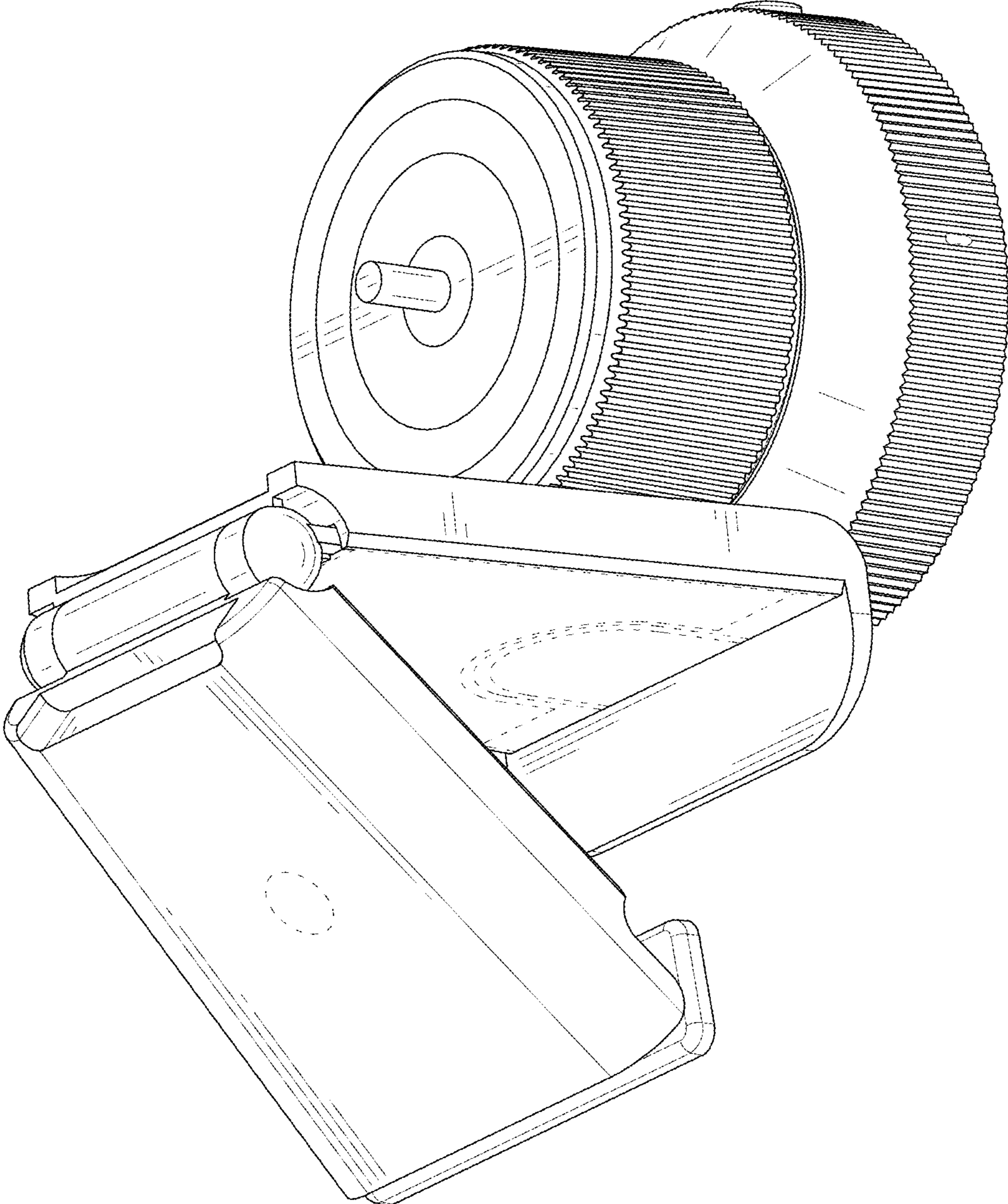


FIG.2

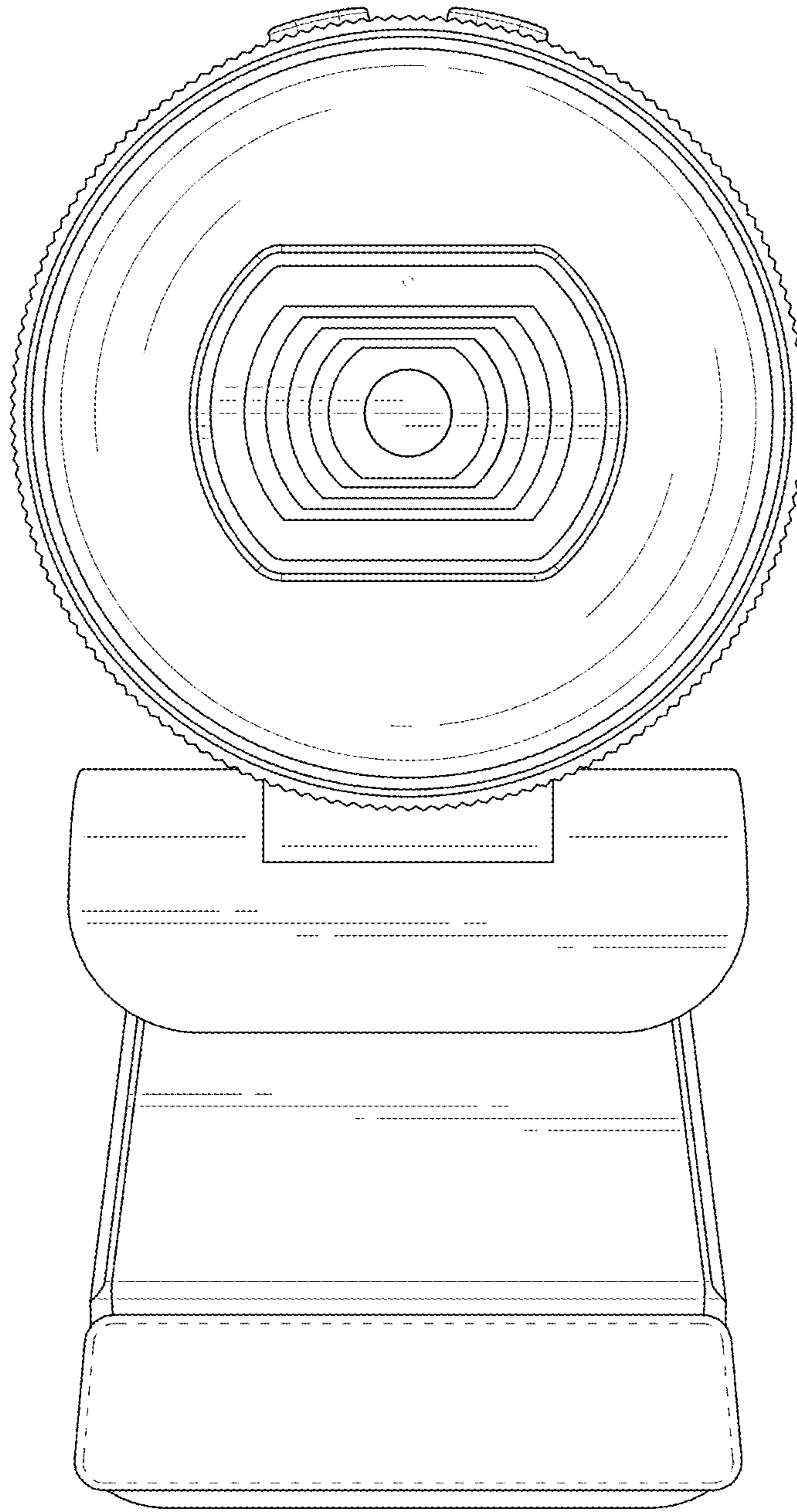


FIG.3

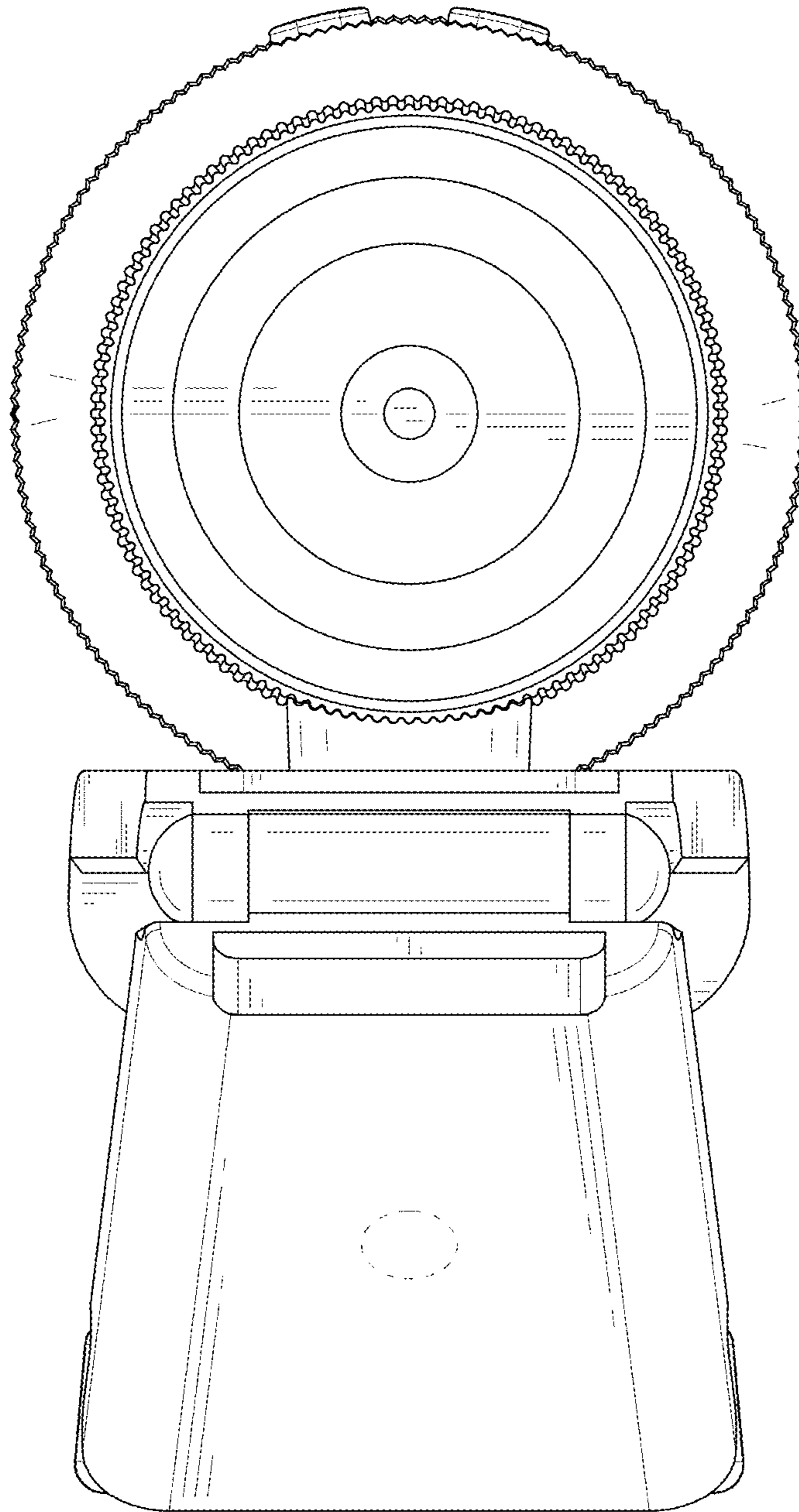


FIG.4

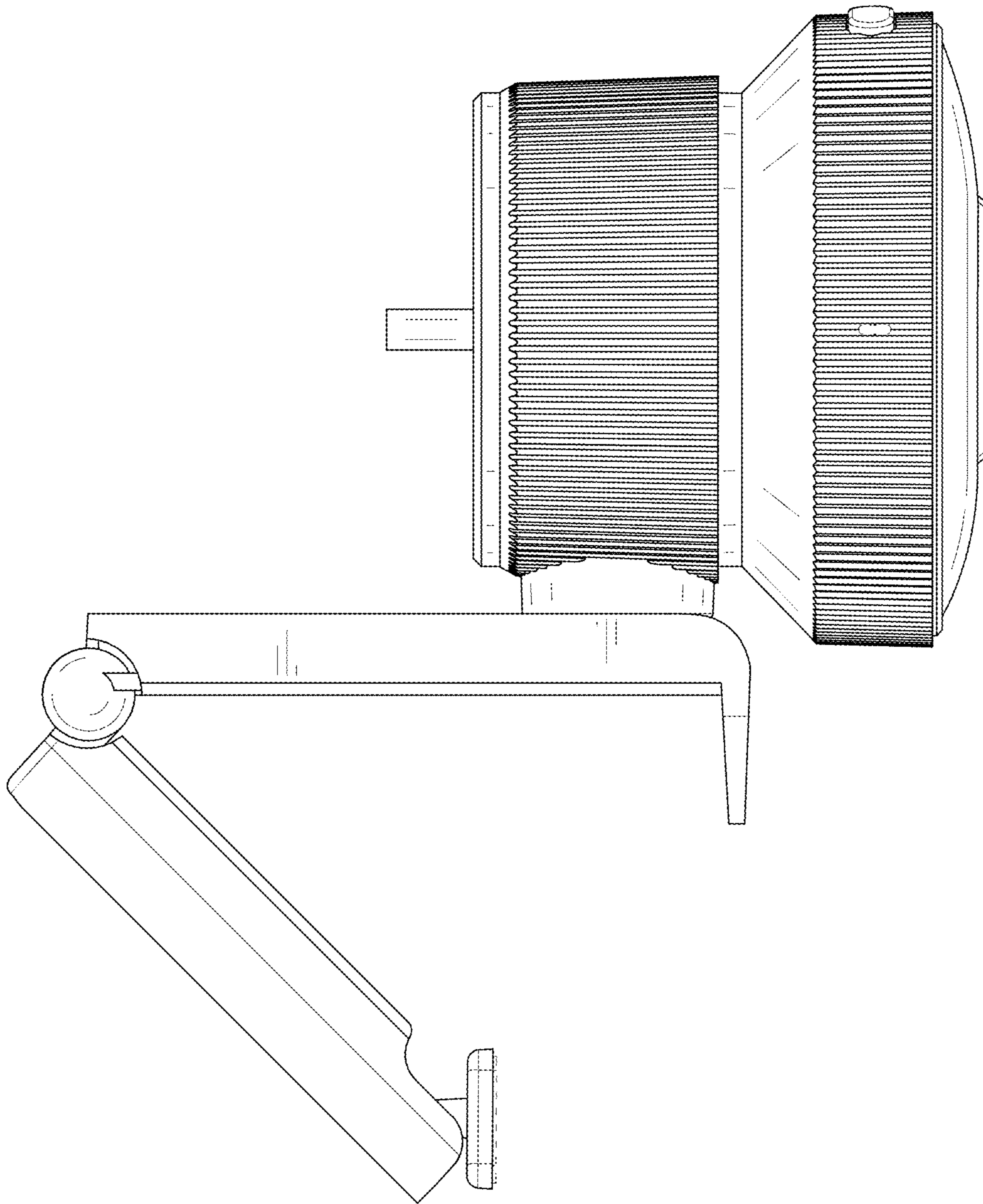


FIG.5

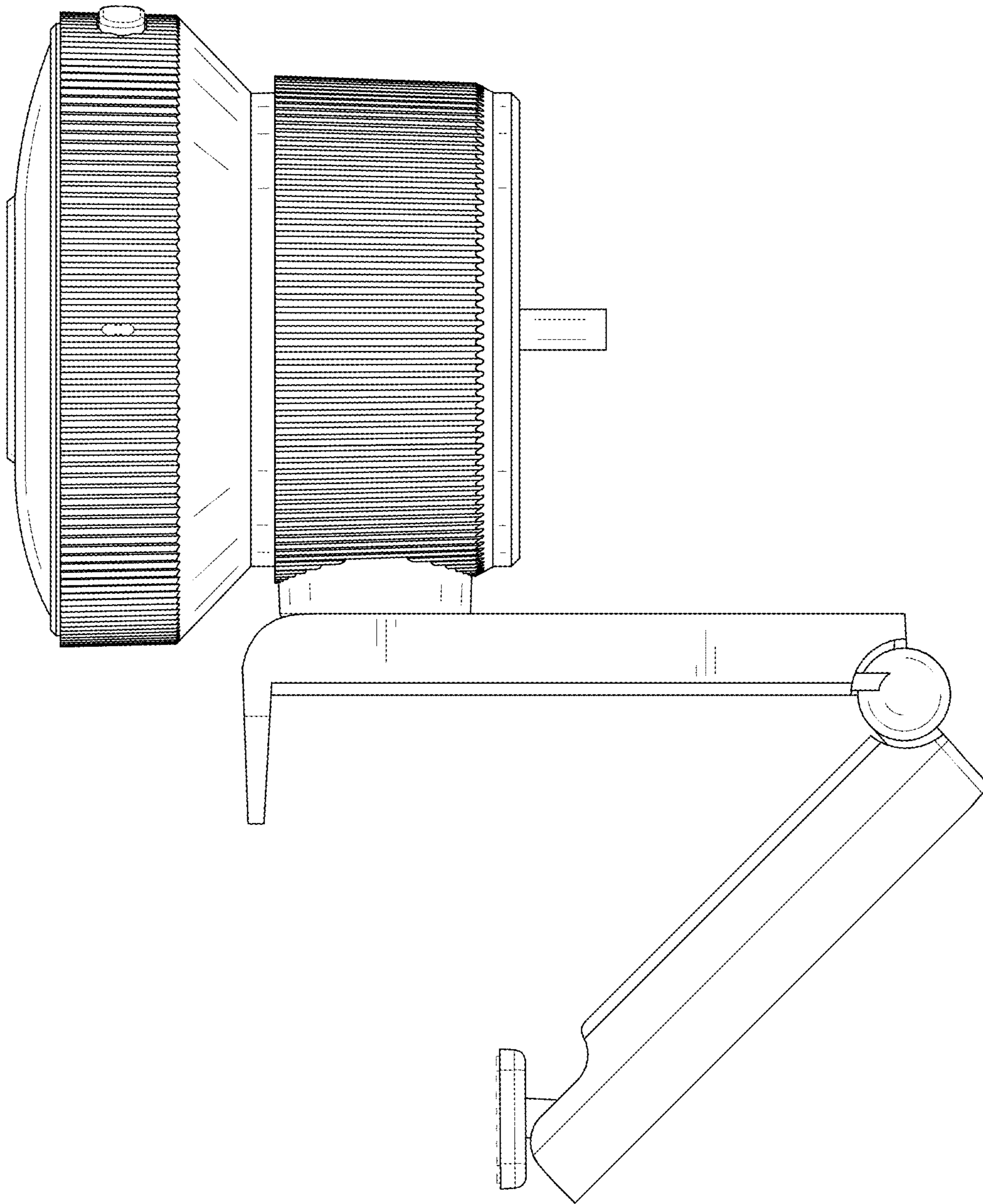


FIG.6

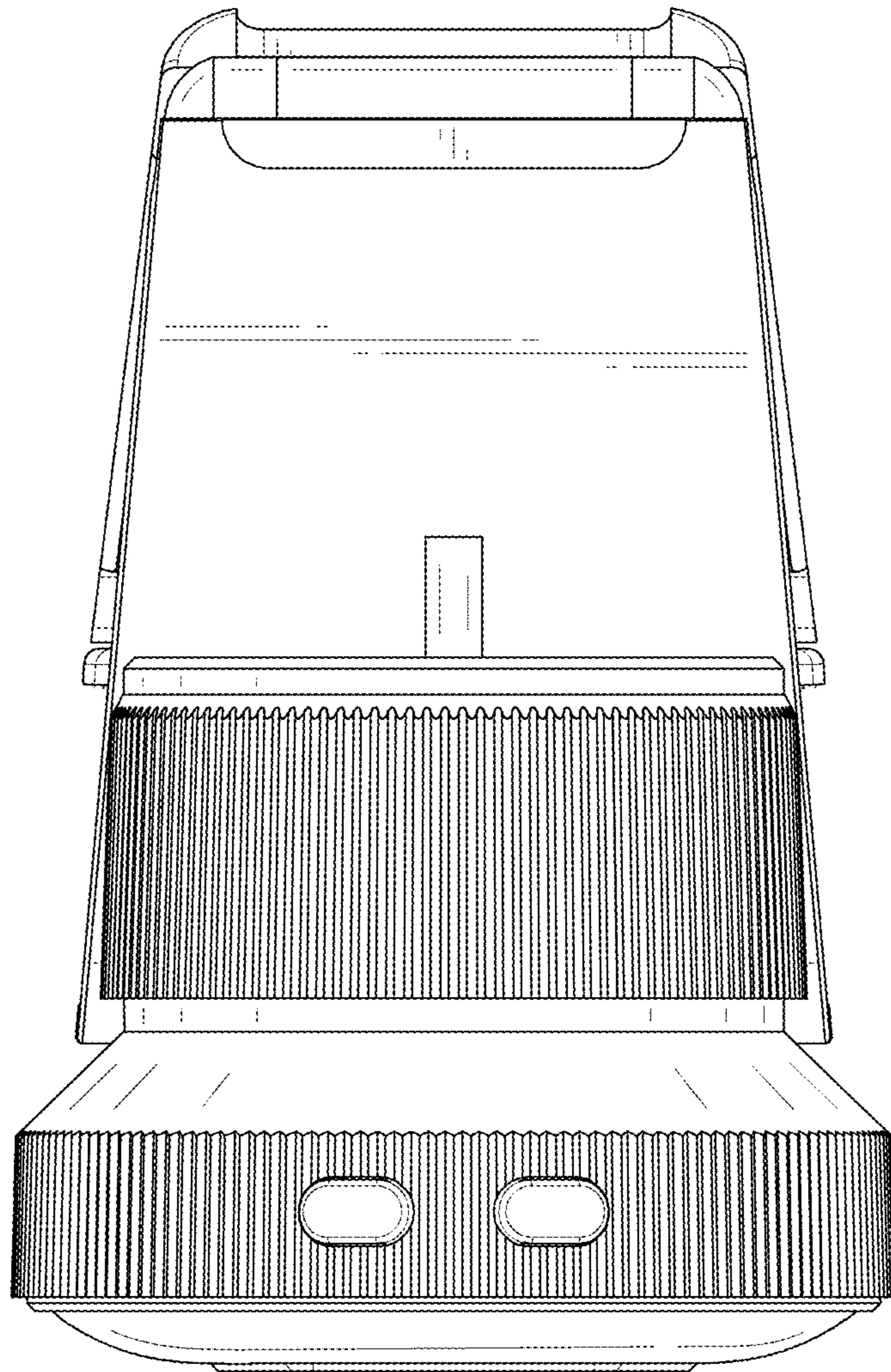


FIG. 7

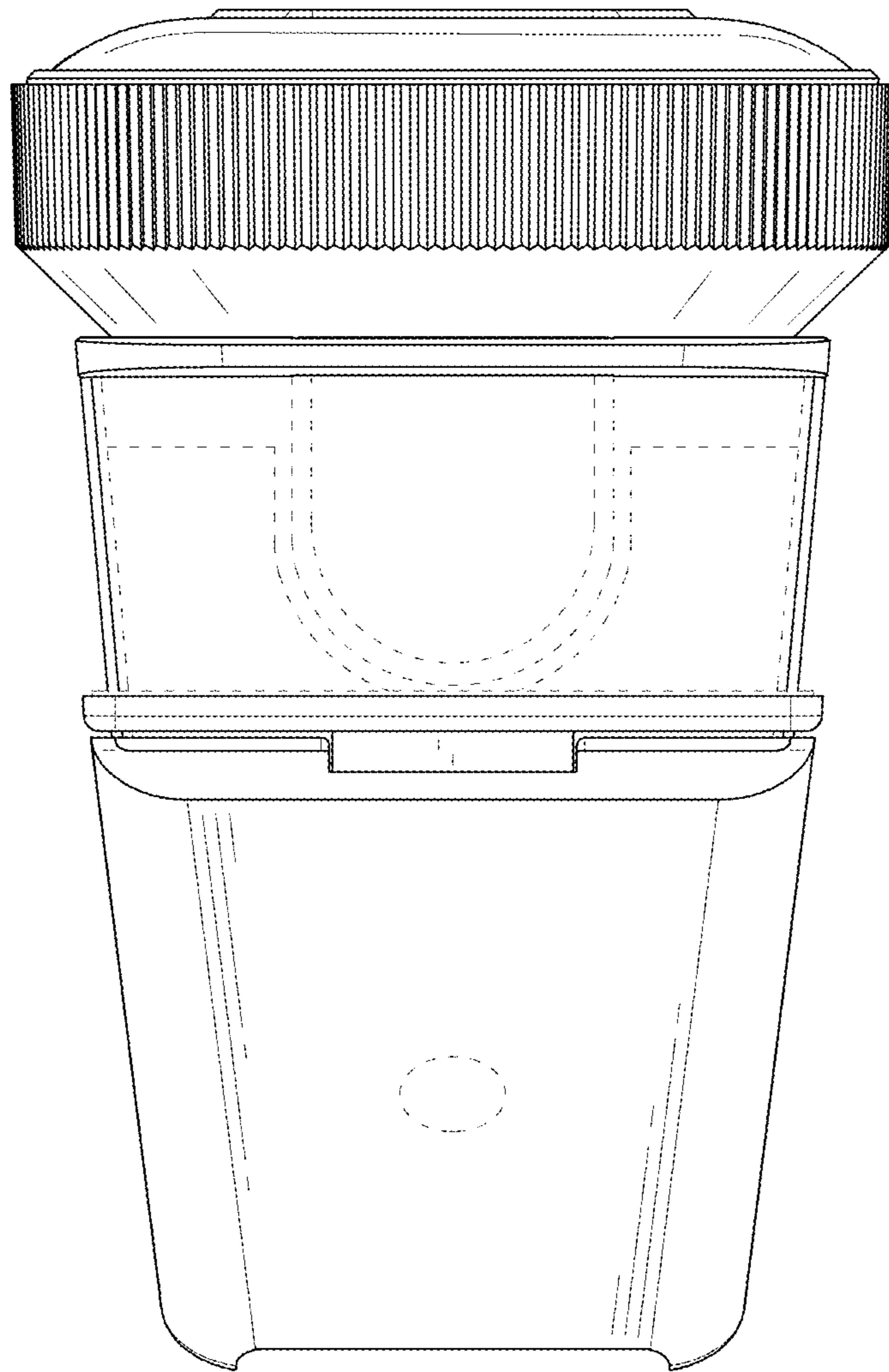


FIG.8

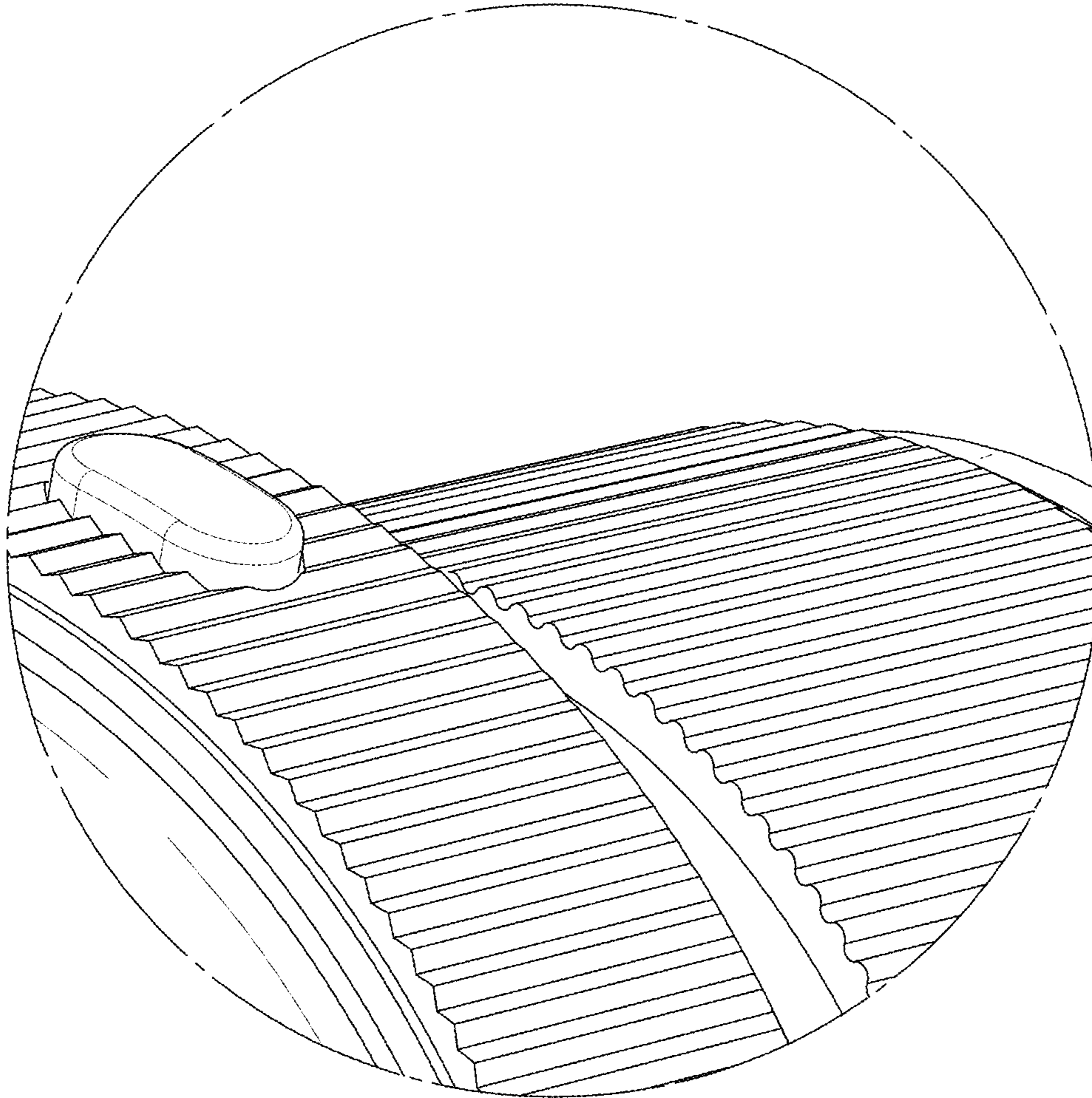


FIG. 9