



US00D950620S

(12) **United States Design Patent**  
**Guan**

(10) **Patent No.:** **US D950,620 S**

(45) **Date of Patent:** **\*\* May 3, 2022**

(54) **CHILDREN CAMERA**

(71) Applicant: **Yizai Guan**, Shenzhen (CN)

(72) Inventor: **Yizai Guan**, Shenzhen (CN)

(\*\*) Term: **15 Years**

(21) Appl. No.: **29/729,485**

(22) Filed: **Mar. 26, 2020**

(51) **LOC (13) Cl.** ..... **16-01**

(52) **U.S. Cl.**

USPC ..... **D16/202**; D21/514

(58) **Field of Classification Search**

USPC ..... D16/200, 202–206, 208, 218, 219;  
D21/514; 348/373–376; 396/535,  
396/539–541

CPC ..... G03B 15/03; G03B 17/02; G03B 17/04;  
G03B 17/56; G03B 19/04; H04N 5/2251;  
H04N 5/2252; H04N 5/2253; H04N  
5/2254; H04N 2101/00

See application file for complete search history.

(56) **References Cited**

**U.S. PATENT DOCUMENTS**

D451,117 S \* 11/2001 Huthmaker ..... D16/202  
D772,966 S \* 11/2016 Song ..... D16/200

D838,303 S \* 1/2019 Brunner ..... D16/202  
D849,083 S \* 5/2019 Dwyer, Jr. .... D16/202  
D865,835 S \* 11/2019 Fidler ..... D16/202  
D867,420 S \* 11/2019 Zhang ..... D16/202  
D873,883 S \* 1/2020 Lin ..... D16/202  
D888,127 S \* 6/2020 Lee ..... D16/203  
D894,251 S \* 8/2020 Saito ..... D16/202  
D910,105 S \* 2/2021 Lin ..... D16/202

\* cited by examiner

*Primary Examiner* — Ramzi Almatrahi

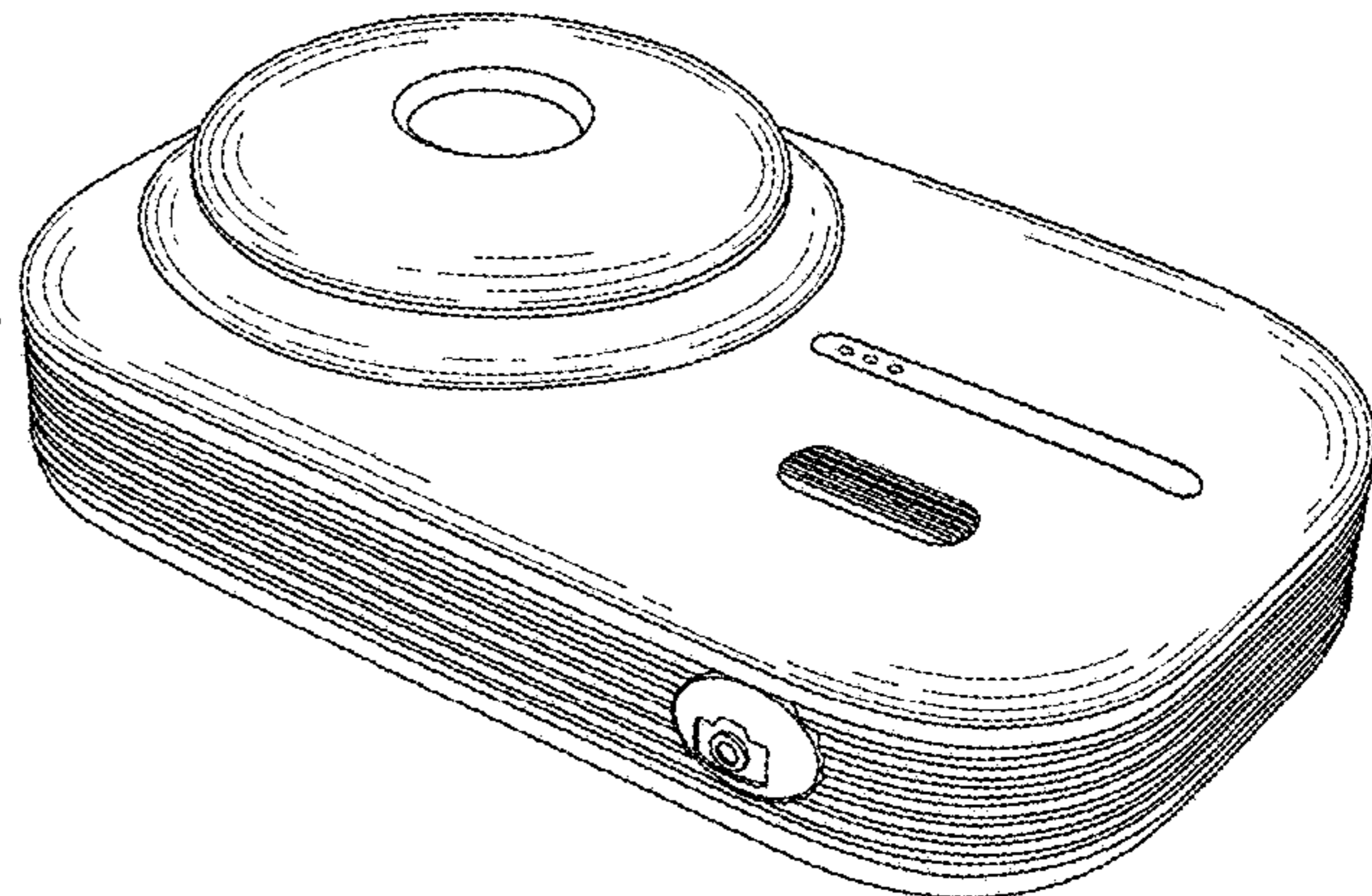
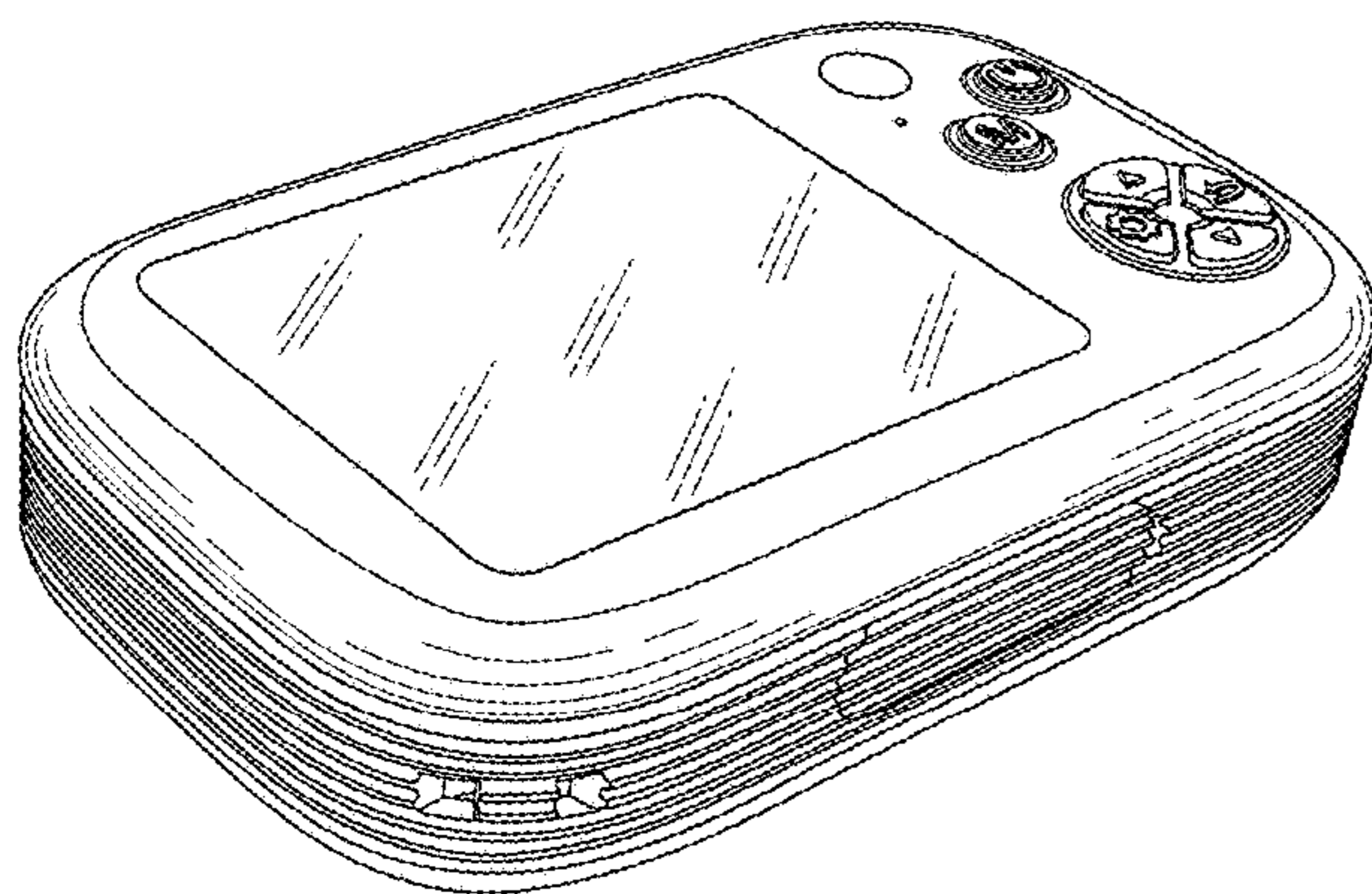
(57) **CLAIM**

The ornamental design for a children camera, as shown and described.

**DESCRIPTION**

FIG. 1 is a front, bottom and left side perspective view of a children camera showing my new design;  
FIG. 2 is a rear, top and right side perspective view thereof;  
FIG. 3 is a front elevation view thereof;  
FIG. 4 is a rear elevation view thereof;  
FIG. 5 is a left side elevation view thereof;  
FIG. 6 is a right side elevation view thereof;  
FIG. 7 is a top plan view thereof; and,  
FIG. 8 is a bottom plan view thereof.

**1 Claim, 8 Drawing Sheets**



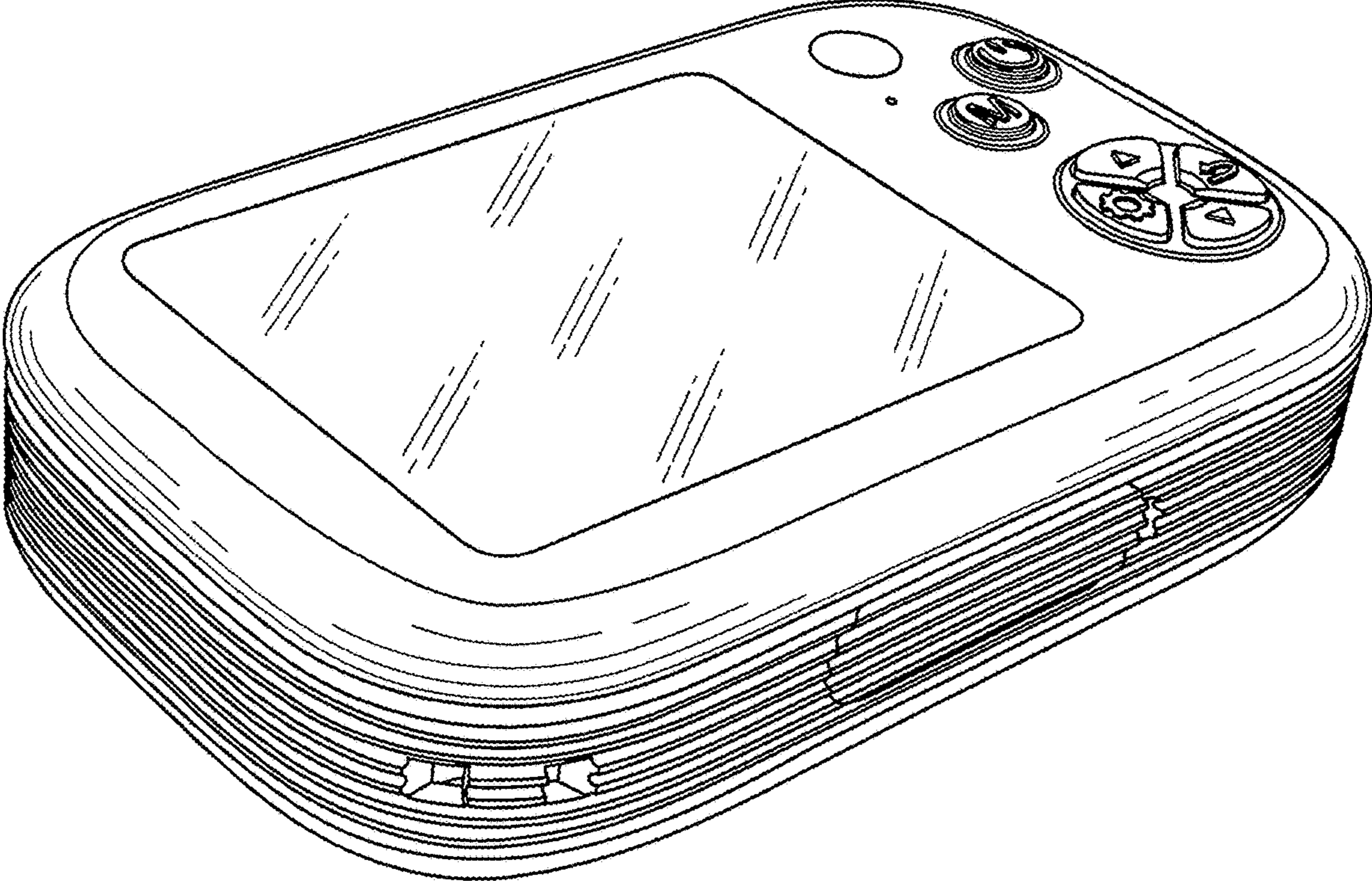


FIG. 1

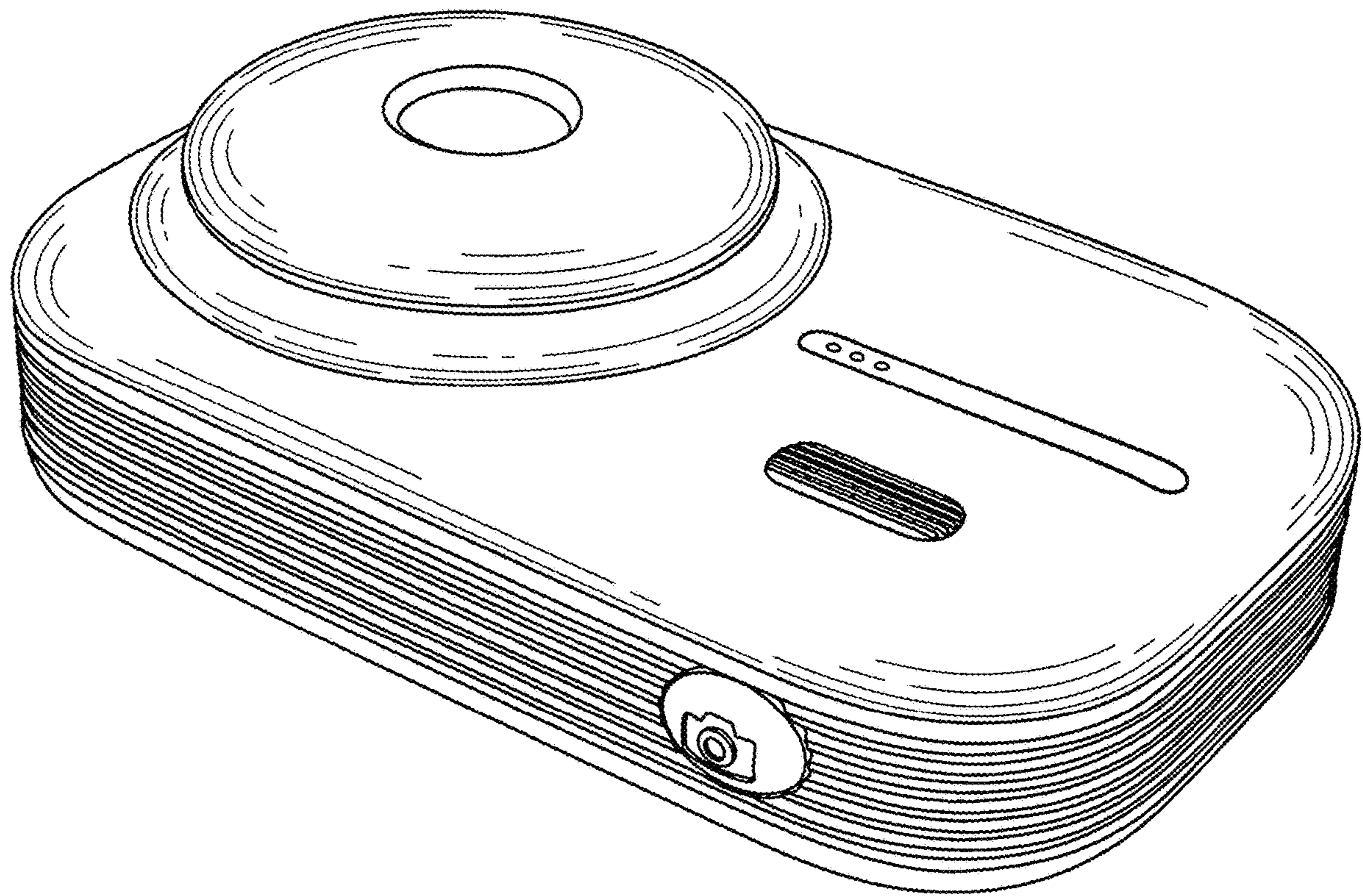


FIG. 2

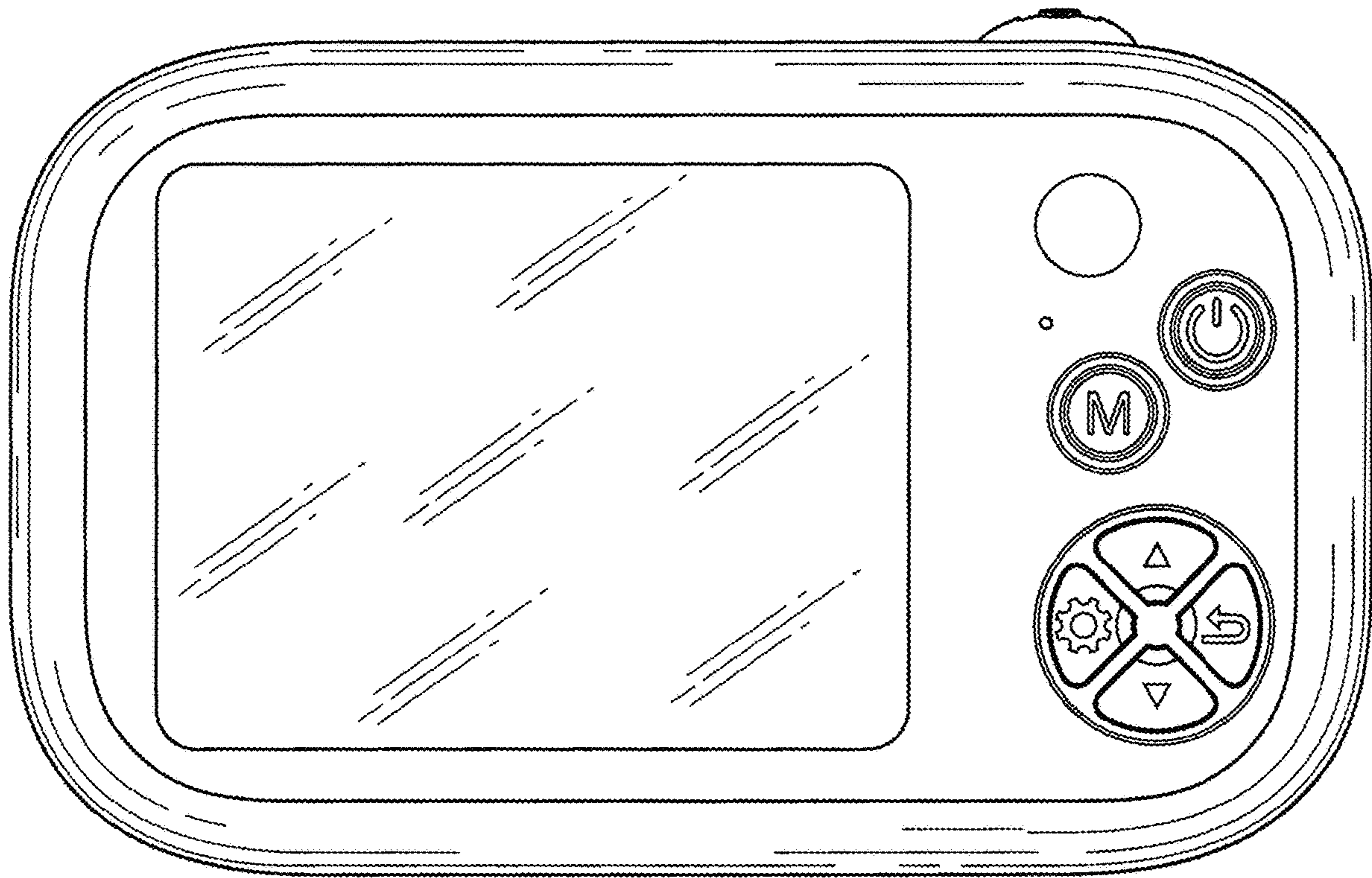


FIG. 3

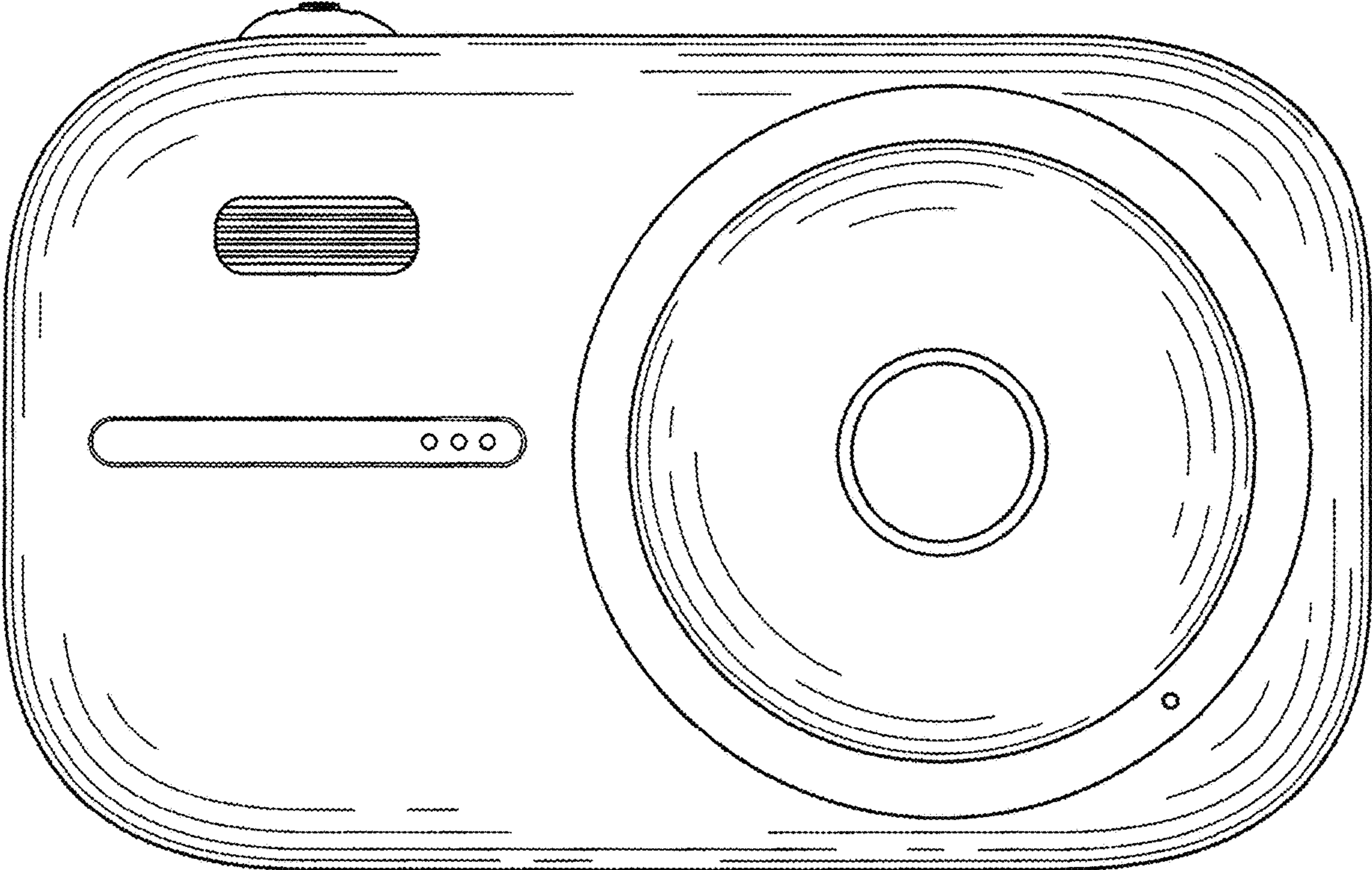


FIG. 4

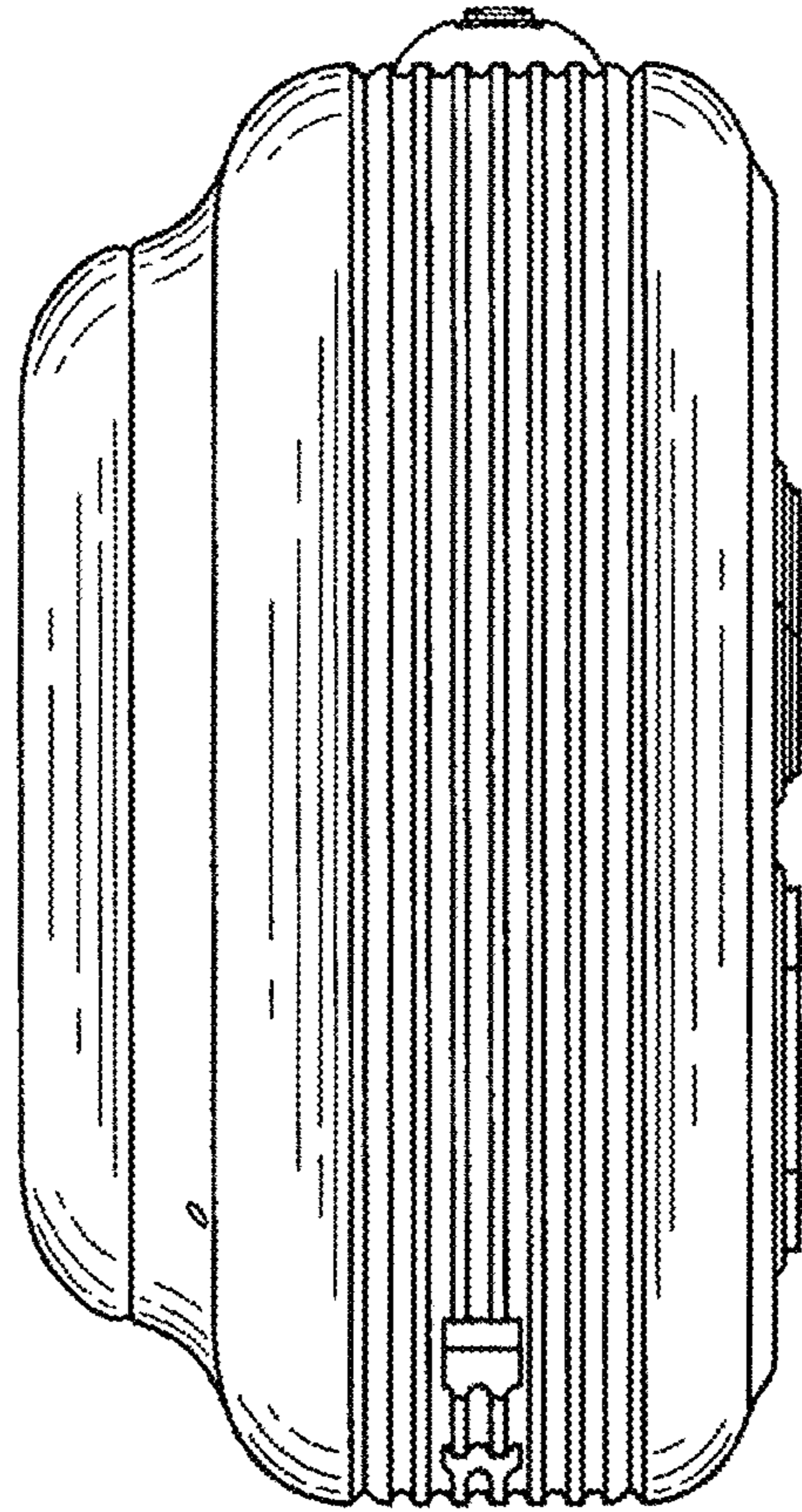


FIG. 5

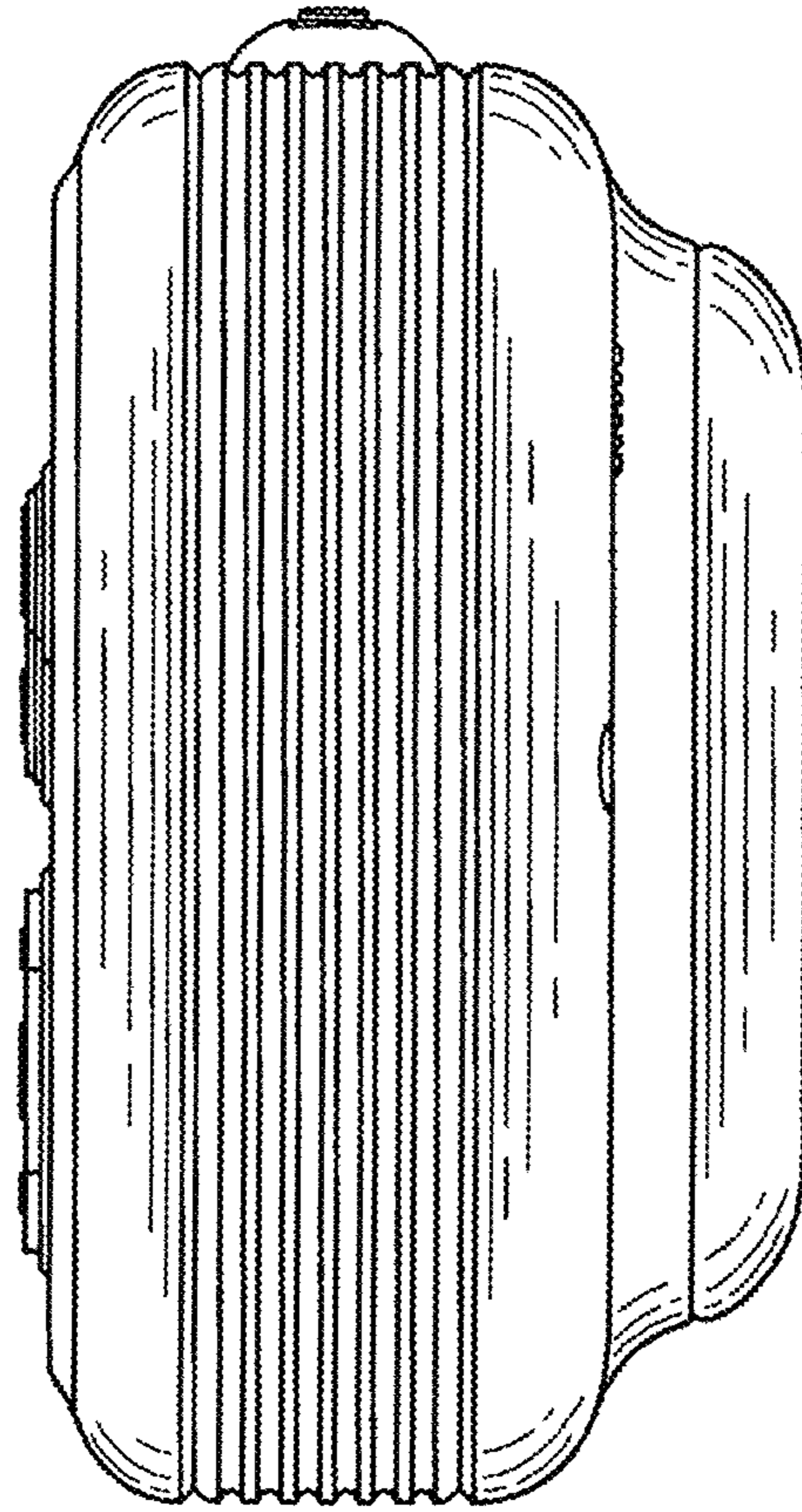


FIG. 6

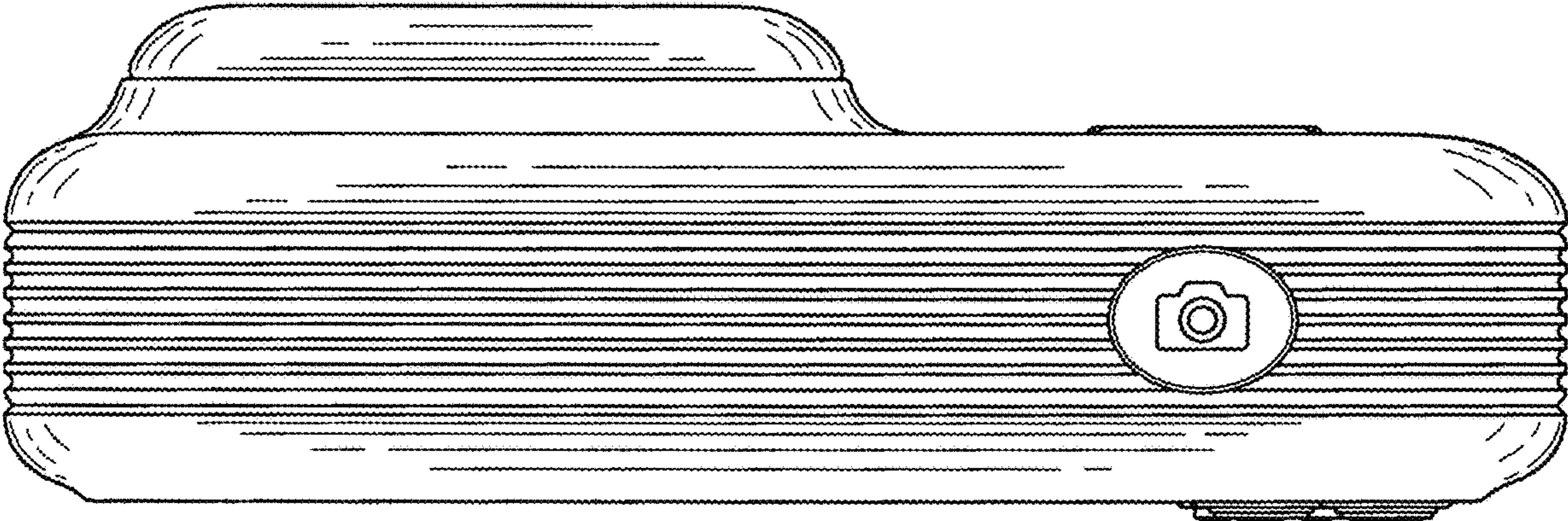


FIG. 7



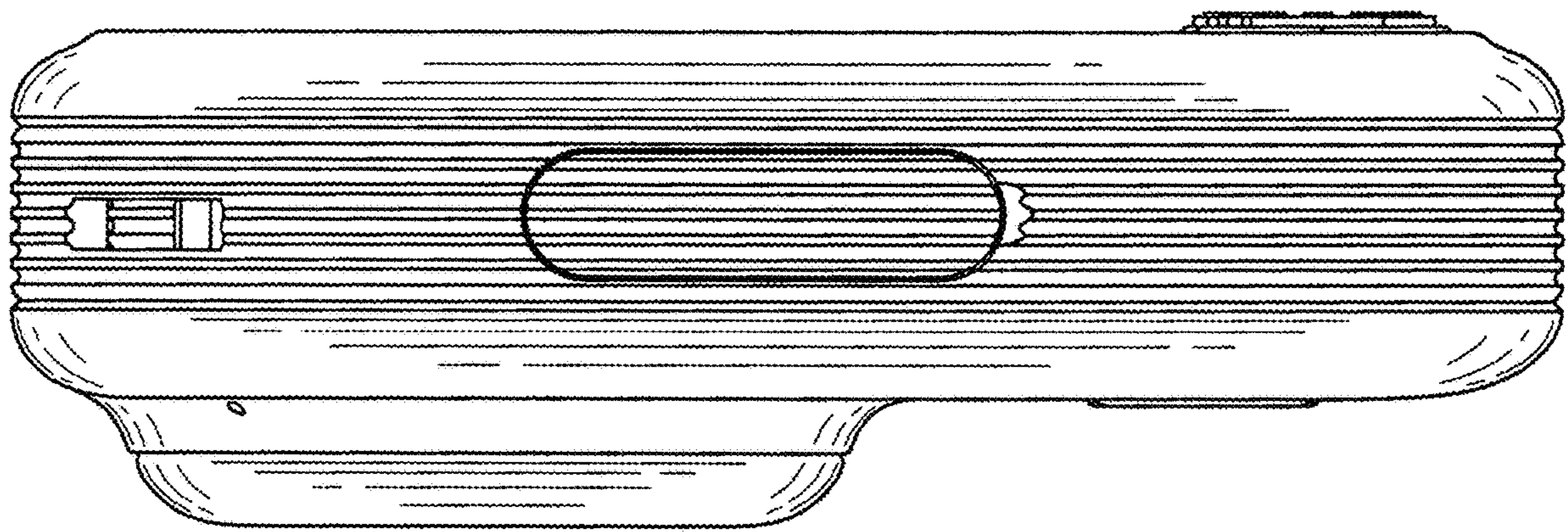


FIG. 8