



US00D950618S

(12) **United States Design Patent**
Haroud et al.

(10) **Patent No.:** **US D950,618 S**

(45) **Date of Patent:** **** May 3, 2022**

(54) **OPTICAL COHERENCE TOMOGRAPHY SYSTEM**

D901,016 S * 11/2020 Park D24/172
D906,523 S * 12/2020 Pellissard D24/158
2018/0271363 A1 9/2018 Scheibler

(71) Applicant: **ACUCELA INC.**, Seattle, WA (US)

FOREIGN PATENT DOCUMENTS

(72) Inventors: **Karim Haroud**,
Chavannes-sur-Moudon (CH); **Matthias Pfister**,
Liebefeld-Bern (CH); **Jean-Christophe Roulet**,
Zurich (CH); **Stefan Troller**, Sissach (CH); **Jacob Schubert**,
Bellevue (KY)

WO 2018119077 6/2018
WO 2019246412 12/2019

* cited by examiner

(73) Assignee: **ACUCELA INC.**, Seattle, WA (US)

Primary Examiner — Holly E Thurman
(74) *Attorney, Agent, or Firm* — Fisherbroyles LLP; John Shimmick

(**) Term: **15 Years**

(57) **CLAIM**

The ornamental design for an optical coherence tomography system, as shown and described.

(21) Appl. No.: **29/718,289**

DESCRIPTION

(22) Filed: **Dec. 23, 2019**

(51) **LOC (13) Cl.** **16-06**

(52) **U.S. Cl.**
USPC **D16/133**

(58) **Field of Classification Search**
USPC D16/130, 133, 136, 237; D24/158, 172
CPC G02B 23/00; G02B 23/18
See application file for complete search history.

FIG. 1 is a front perspective view of an optical coherence tomography system;
FIG. 2 is a front elevational view of the optical coherence tomography system;
FIG. 3 is a rear elevational view of the optical coherence tomography system;
FIG. 4 is a right elevational view of the optical coherence tomography system;
FIG. 5 is a left elevational view of the optical coherence tomography system;
FIG. 6 is a top view of the optical coherence tomography system; and,
FIG. 7 is a bottom view of the optical coherence tomography system.

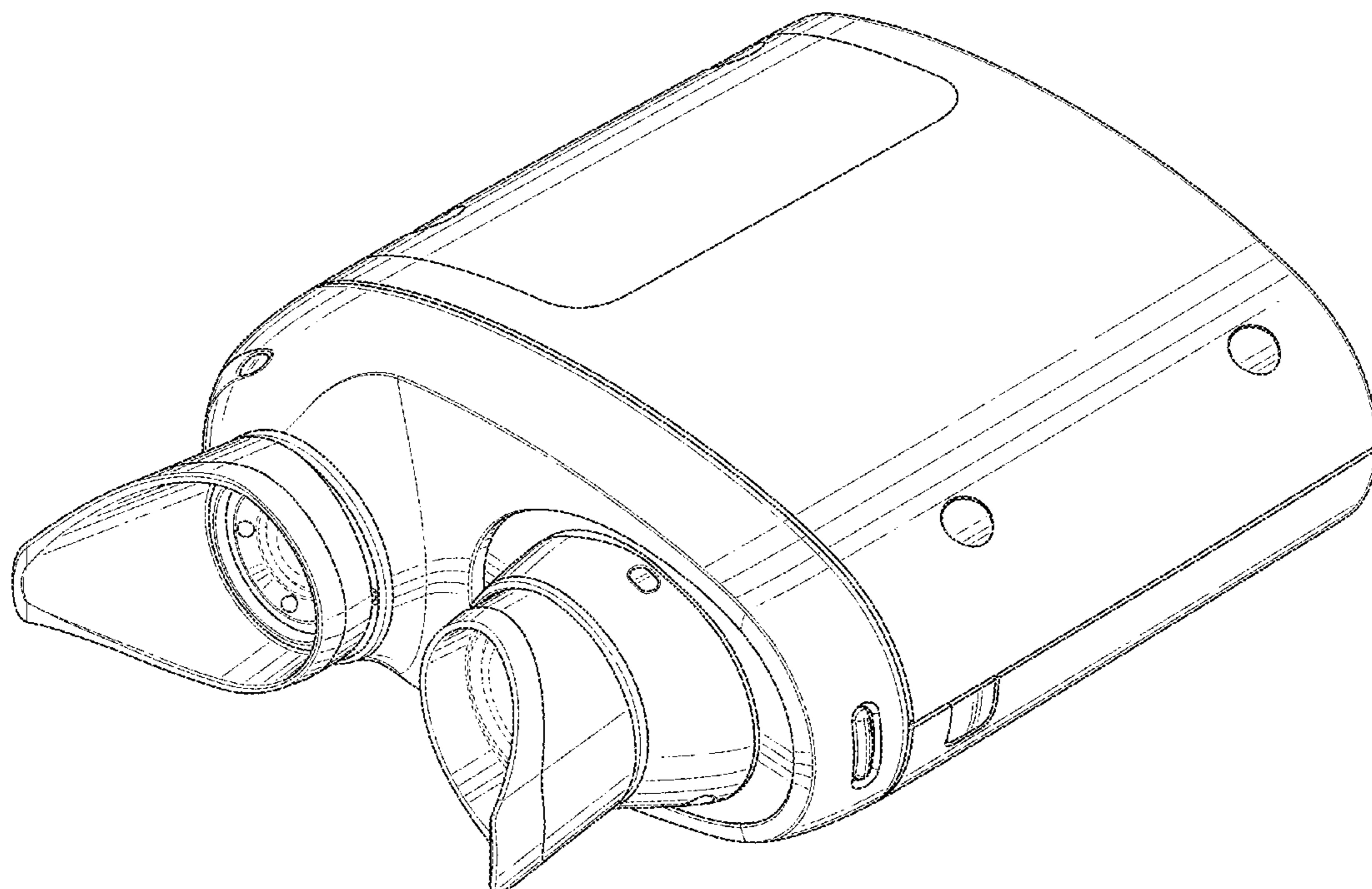
The broken lines in FIGS. 1-7 are for illustrative purposes only and form no part of the claimed design.

(56) **References Cited**

U.S. PATENT DOCUMENTS

D188,394 S * 7/1960 Sorenson D24/172
D705,430 S * 5/2014 Sekine D24/172
D738,509 S * 9/2015 van Elzakker D24/172
D773,668 S * 12/2016 Mizumura D24/158
9,625,380 B2 * 4/2017 Mukoh G01B 9/02081
D808,527 S * 1/2018 Wing D24/158
D812,759 S * 3/2018 Sekine D24/172

1 Claim, 7 Drawing Sheets



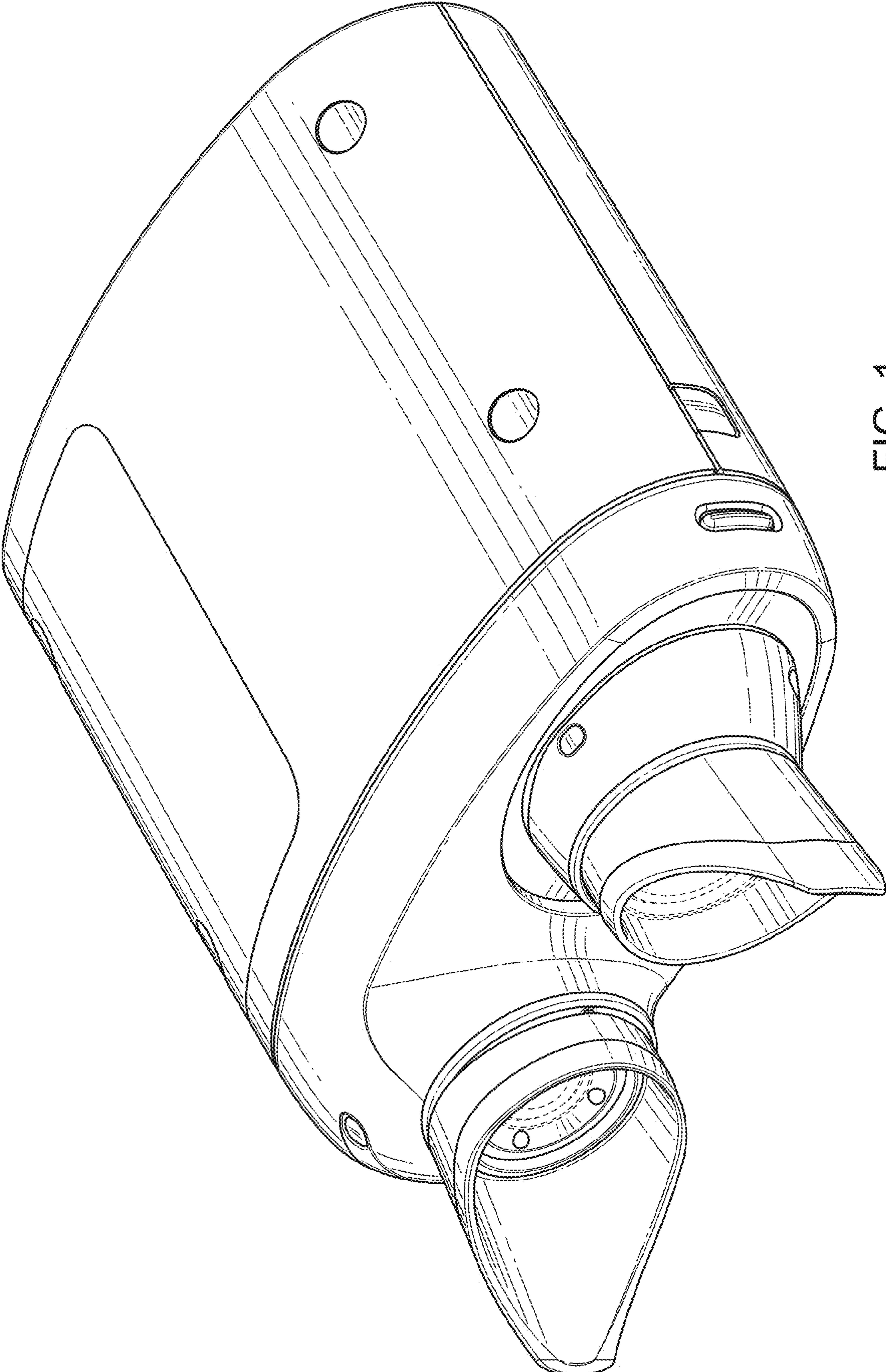


FIG. 1

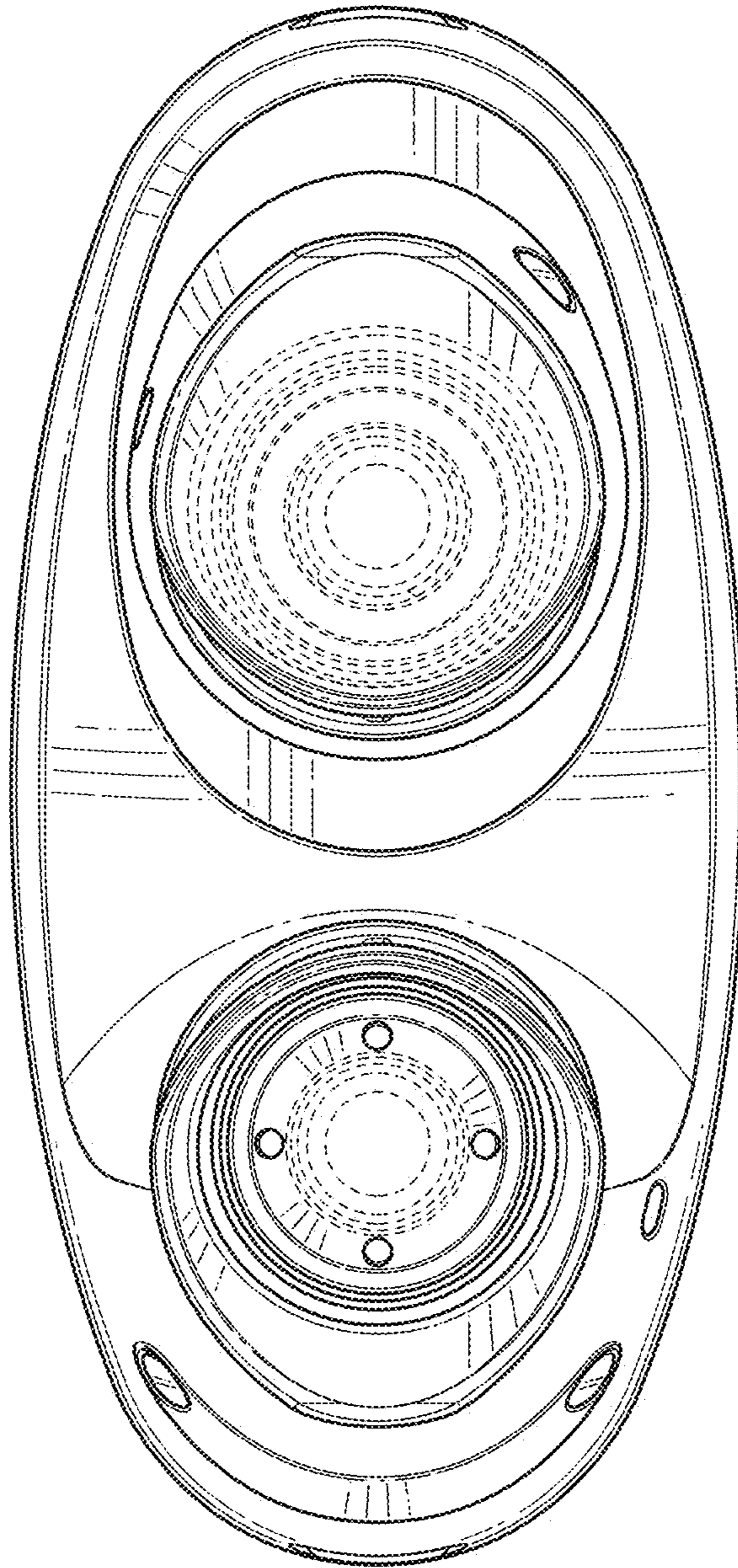


FIG. 2

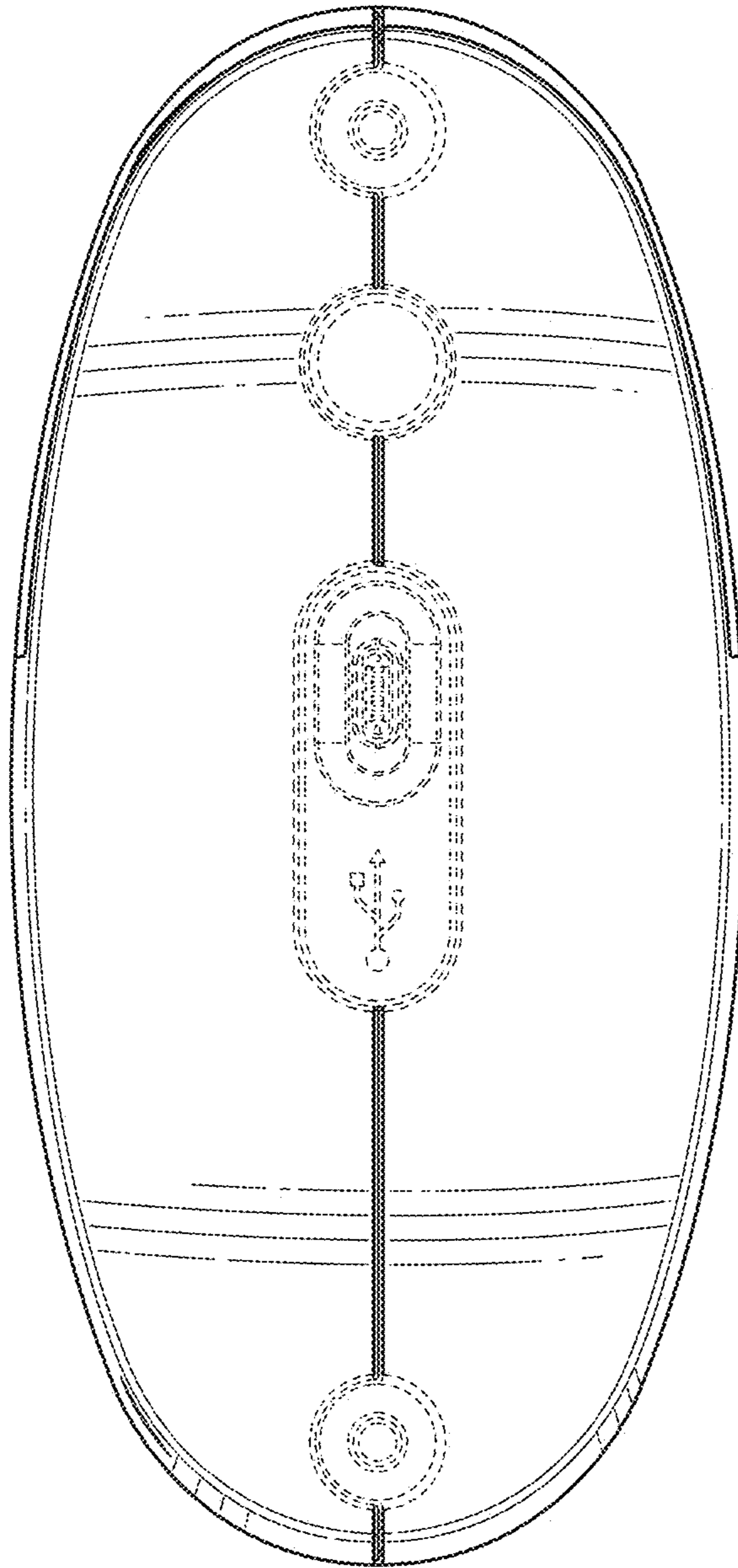


FIG. 3

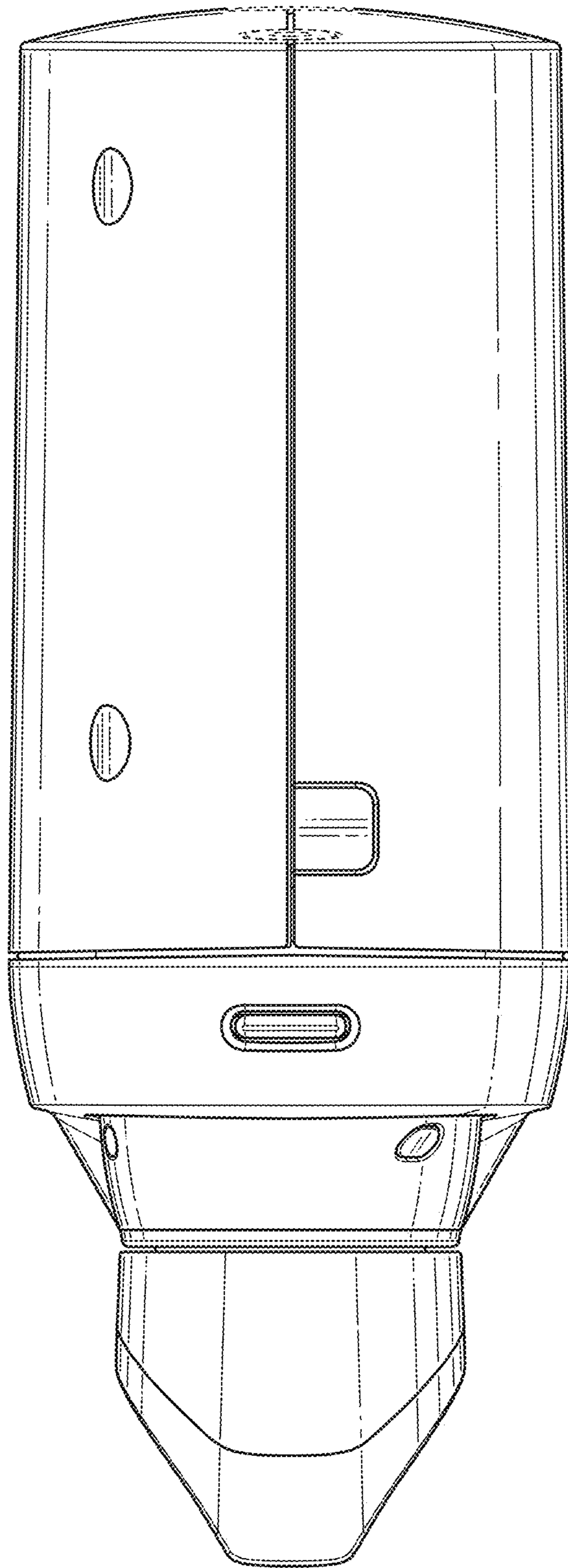


FIG. 4

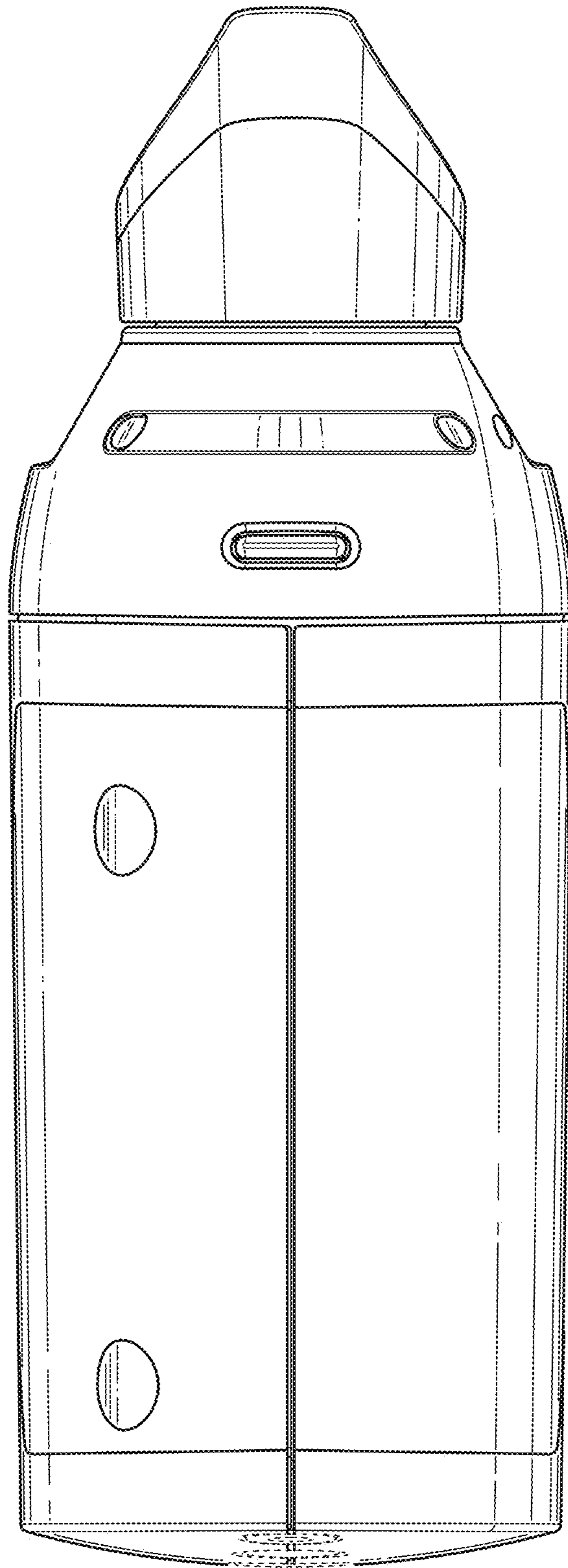


FIG. 5

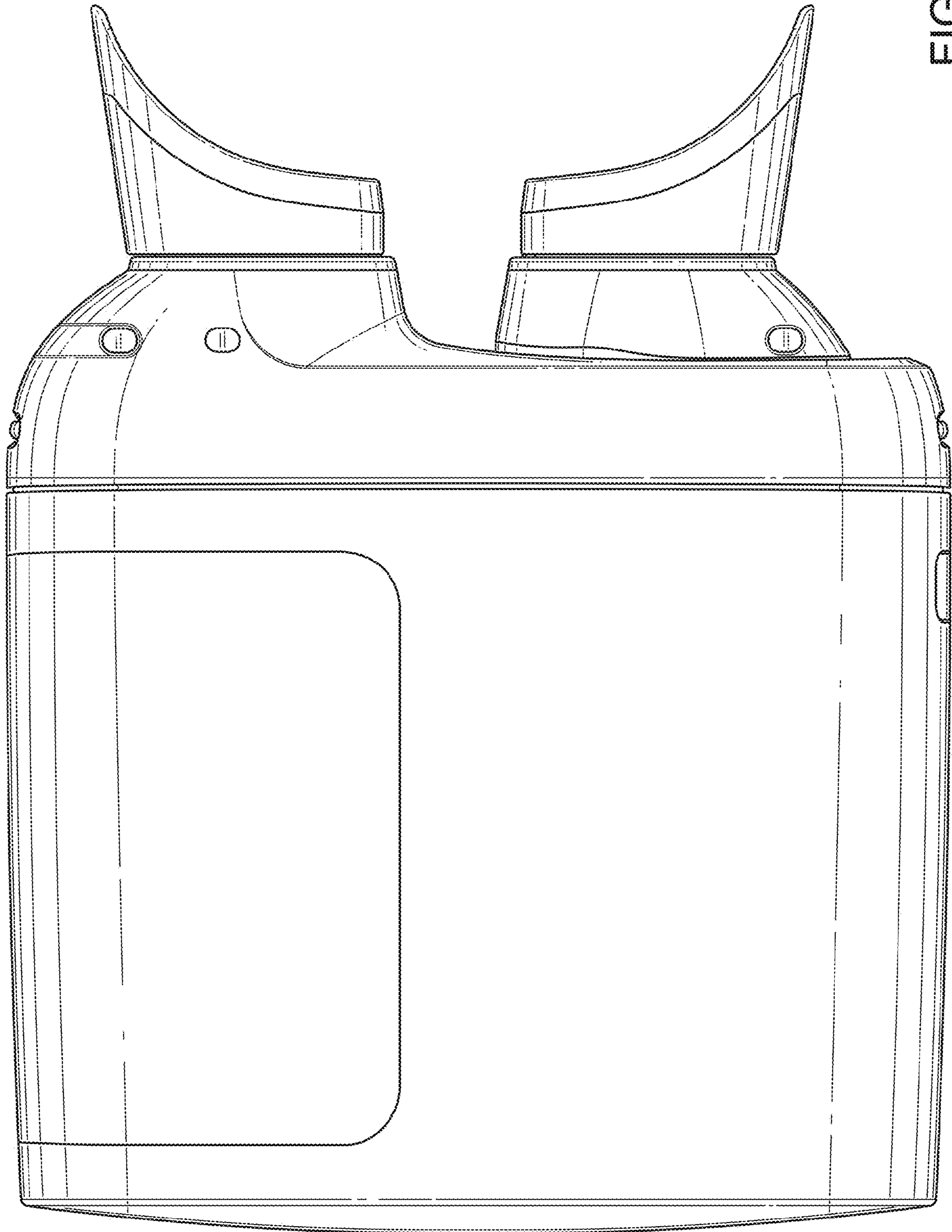


FIG. 6

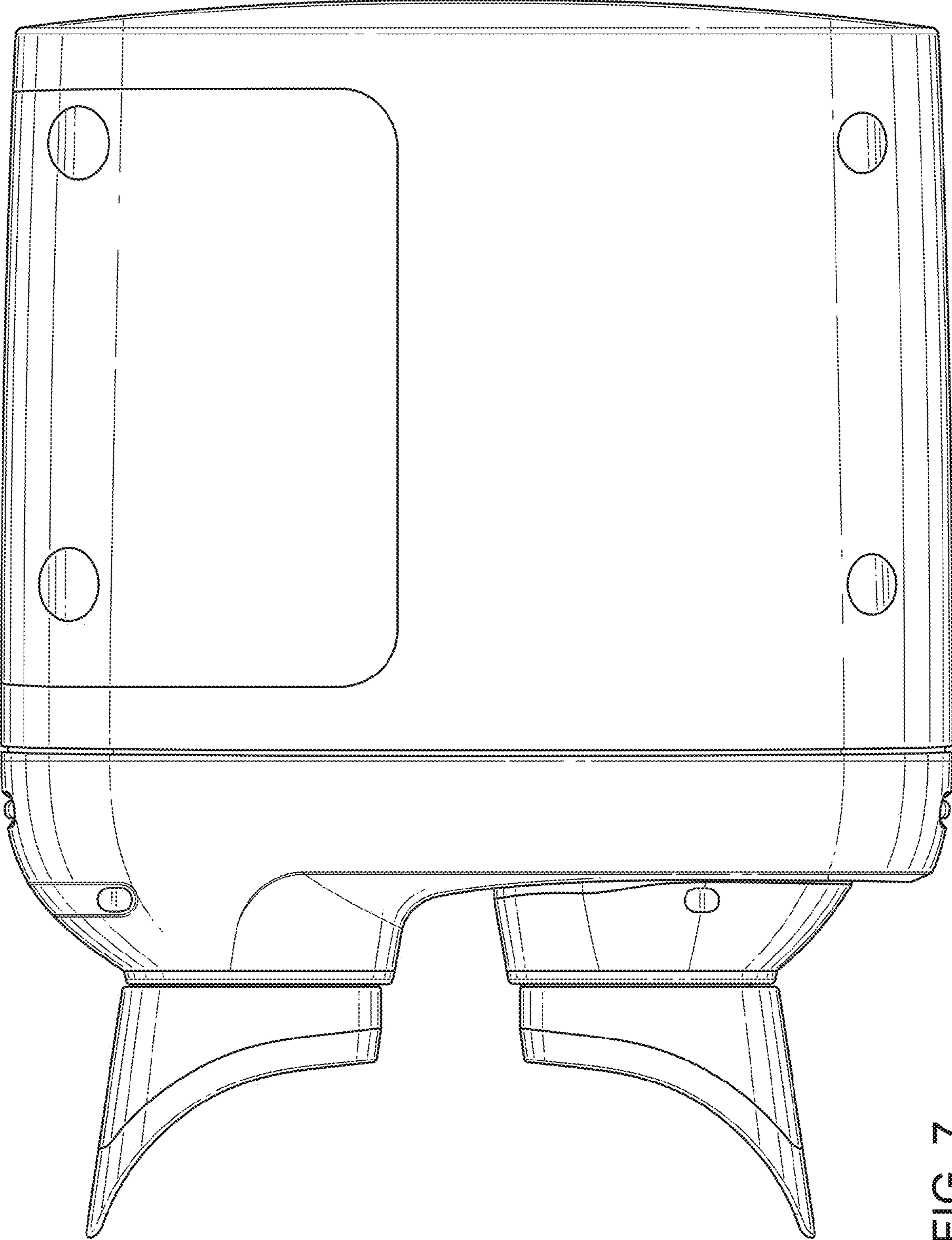


FIG. 7