



US00D950616S

(12) **United States Design Patent**
Kapuria

(10) **Patent No.:** **US D950,616 S**

(45) **Date of Patent:** **** May 3, 2022**

- (54) **MOBILE ROBOT**
- (71) Applicant: **THE HI-TECH ROBOTIC SYSTEMZ LTD**, Haryana (IN)
- (72) Inventor: **Anuj Kapuria**, Haryana (IN)
- (73) Assignee: **THE HI-TECH ROBOTIC SYSTEMZ LTD**, Gurugram (IN)
- (**) Term: **15 Years**
- (21) Appl. No.: **29/712,150**
- (22) Filed: **Nov. 5, 2019**
- (30) **Foreign Application Priority Data**

D864,270 S *	10/2019	Hu	D15/199
D865,021 S *	10/2019	Hu	D15/199
D873,174 S *	1/2020	Sokuza	D12/1
D879,852 S *	3/2020	Chen	D15/199
D880,550 S *	4/2020	Sokuza	D15/199
D886,173 S *	6/2020	Sokuza	D15/199
D886,174 S *	6/2020	Blomgren	D15/199
D887,468 S *	6/2020	Hirvesaar	D15/199
D888,790 S *	6/2020	Yao	D15/199
D896,858 S *	9/2020	Kapuria	D15/199
D898,790 S *	10/2020	Sokuza	D15/199
D899,475 S *	10/2020	Xiao	D15/199
D902,272 S *	11/2020	Cascajar Ordonez	D15/199
D902,277 S *	11/2020	Sakaguchi	D15/199
D906,390 S *	12/2020	Kapuria	D15/199
D907,084 S *	1/2021	Kapuria	D15/199
D907,677 S *	1/2021	Mork	D15/199
D907,678 S *	1/2021	Cai	D15/199
2018/0099810 A1 *	4/2018	Wu	B65G 1/0492
2019/0270472 A1 *	9/2019	Akamatsu	B62B 5/0093

* cited by examiner

May 21, 2019 (IN) 317927-001

- (51) **LOC (13) Cl.** **15-99**
- (52) **U.S. Cl.**
USPC **D15/199**
- (58) **Field of Classification Search**
USPC D12/1; D15/199; D32/21; D34/12, 24,
D34/28, 34
CPC B25J 5/007; B25J 9/1694; G05D 1/027;
G05D 1/0011; G05D 1/0231; G05D
1/0242; G05D 2201/0216; Y10S 901/01;
Y10S 901/46; Y10S 901/49
See application file for complete search history.

Primary Examiner — Patricia A Palasik

(57) **CLAIM**

The ornamental design for a mobile robot, as shown and described.

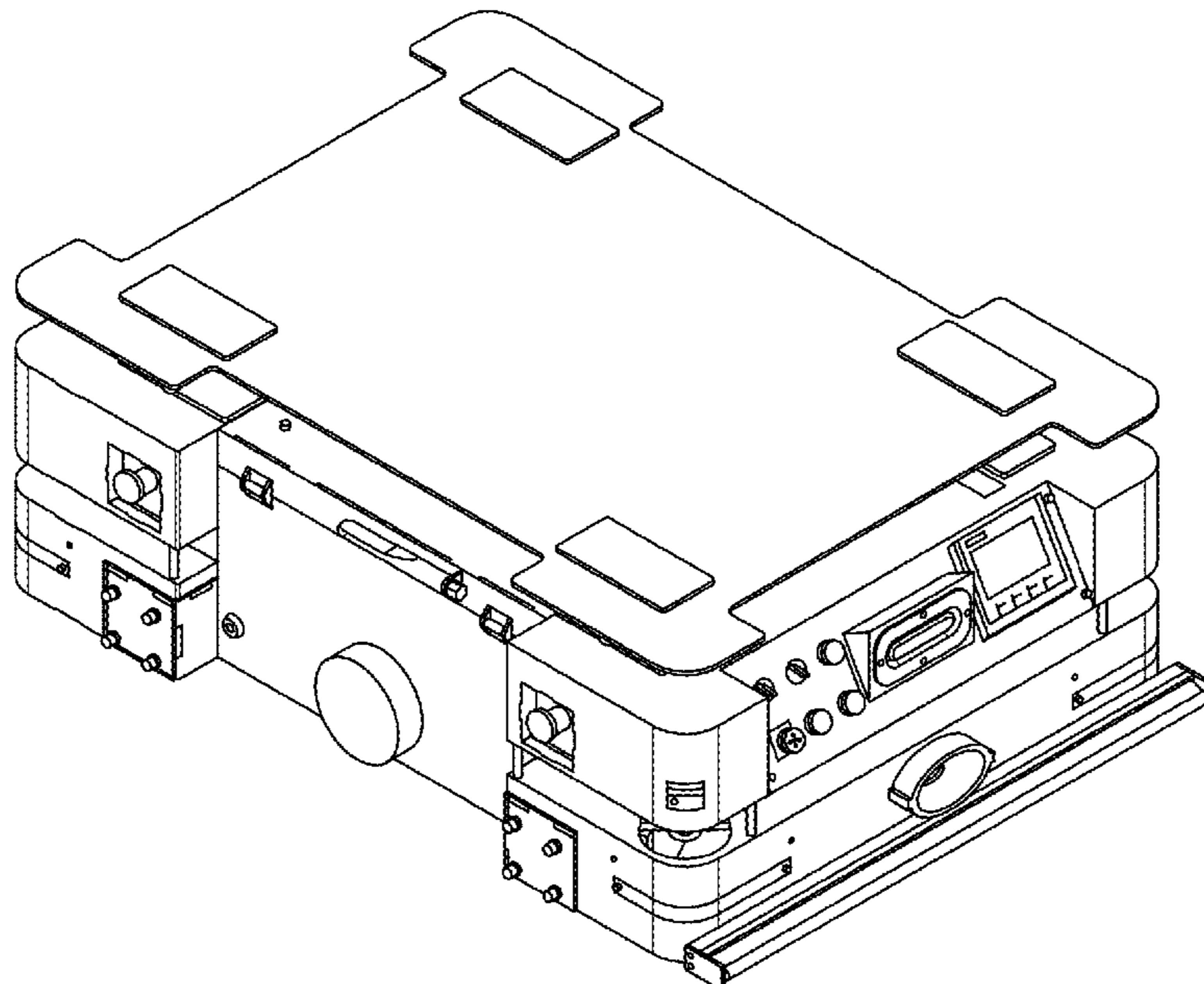
DESCRIPTION

FIG. 1 is a top, front and right side perspective view of a mobile robot showing my new design;
 FIG. 2 is a top plan view thereof;
 FIG. 3 is a bottom plan view thereof;
 FIG. 4 is a front elevational view thereof;
 FIG. 5 is a rear elevational view thereof;
 FIG. 6 is a left side view thereof; and,
 FIG. 7 is a right side view thereof.

The broken lines in the drawings depict portions of the mobile robot which form no part of the claimed design.

- (56) **References Cited**
U.S. PATENT DOCUMENTS
- 4,137,984 A * 2/1979 Jennings B62D 1/28
180/168
- 5,127,486 A * 7/1992 Yardley B62D 1/28
180/168
- D722,631 S * 2/2015 Stone D15/199
- D810,799 S * 2/2018 Sokuza D15/199

1 Claim, 7 Drawing Sheets



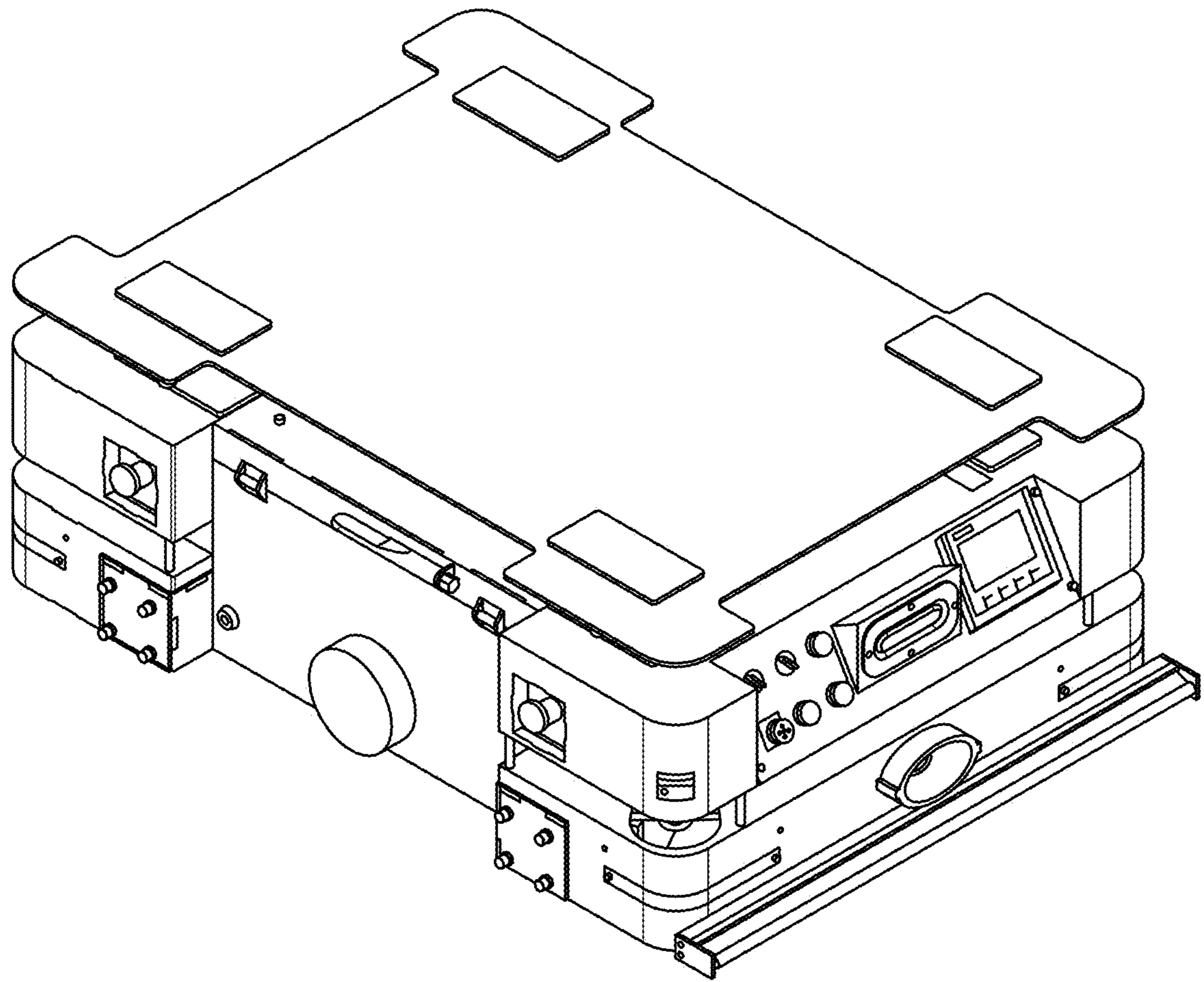


FIG. 1

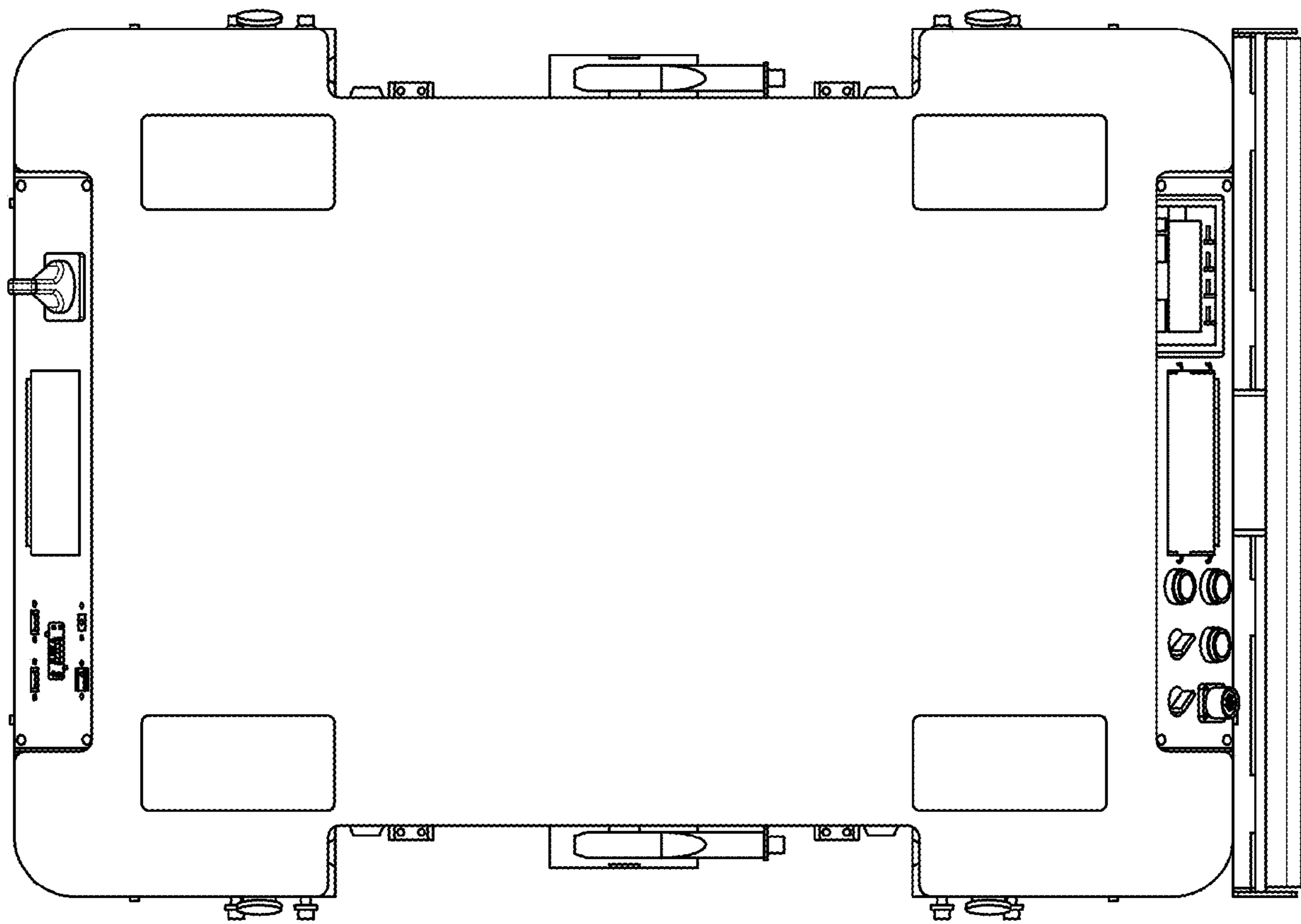


FIG. 2

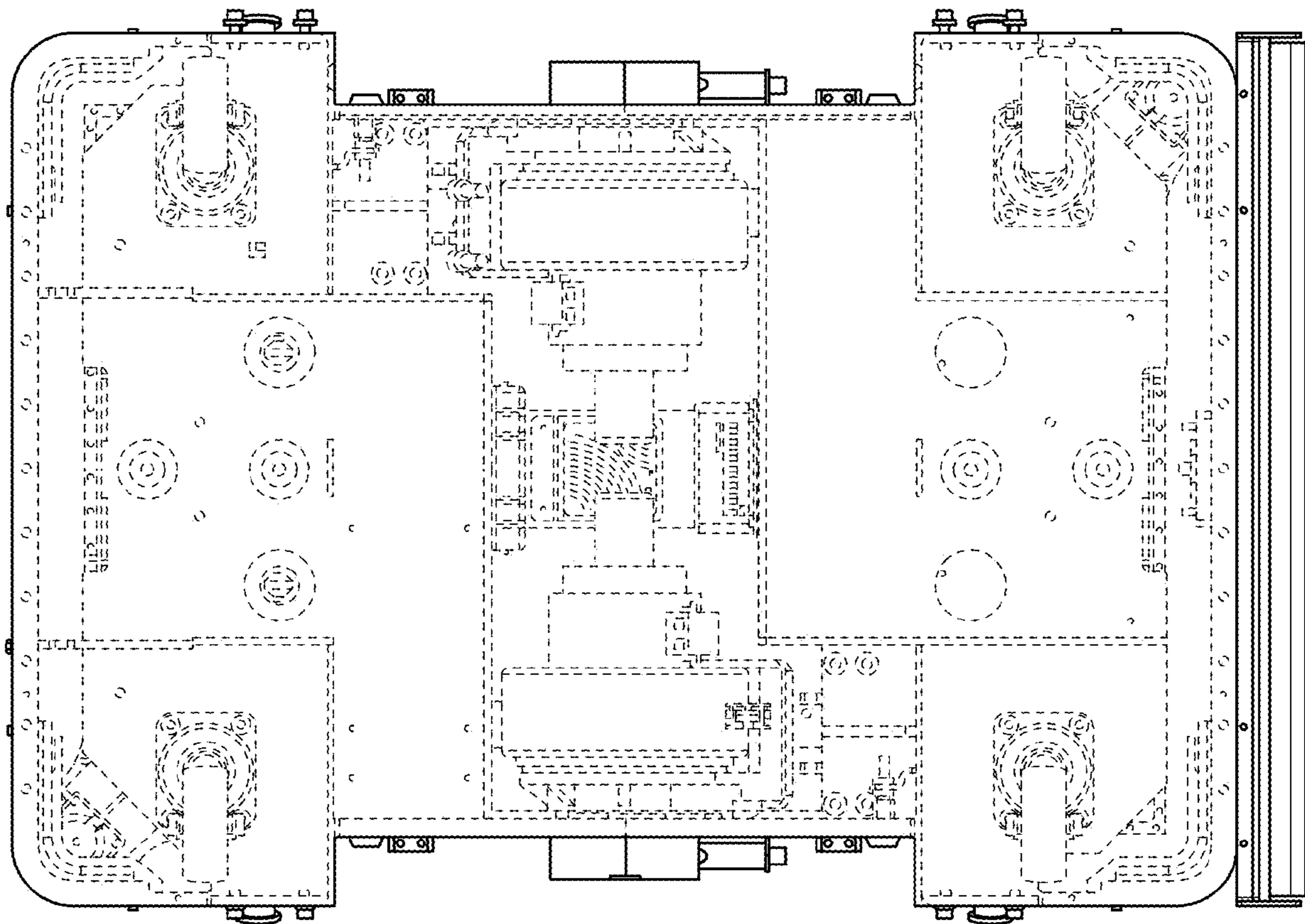


FIG. 3

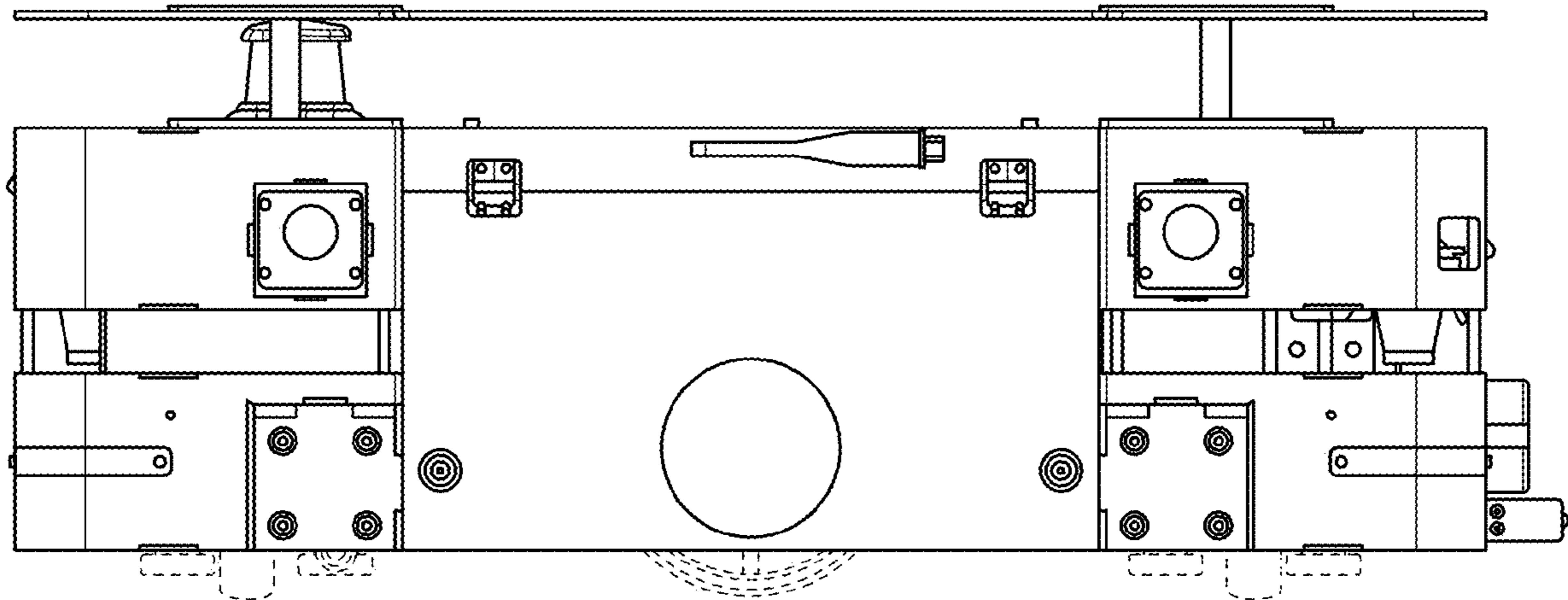


FIG. 4

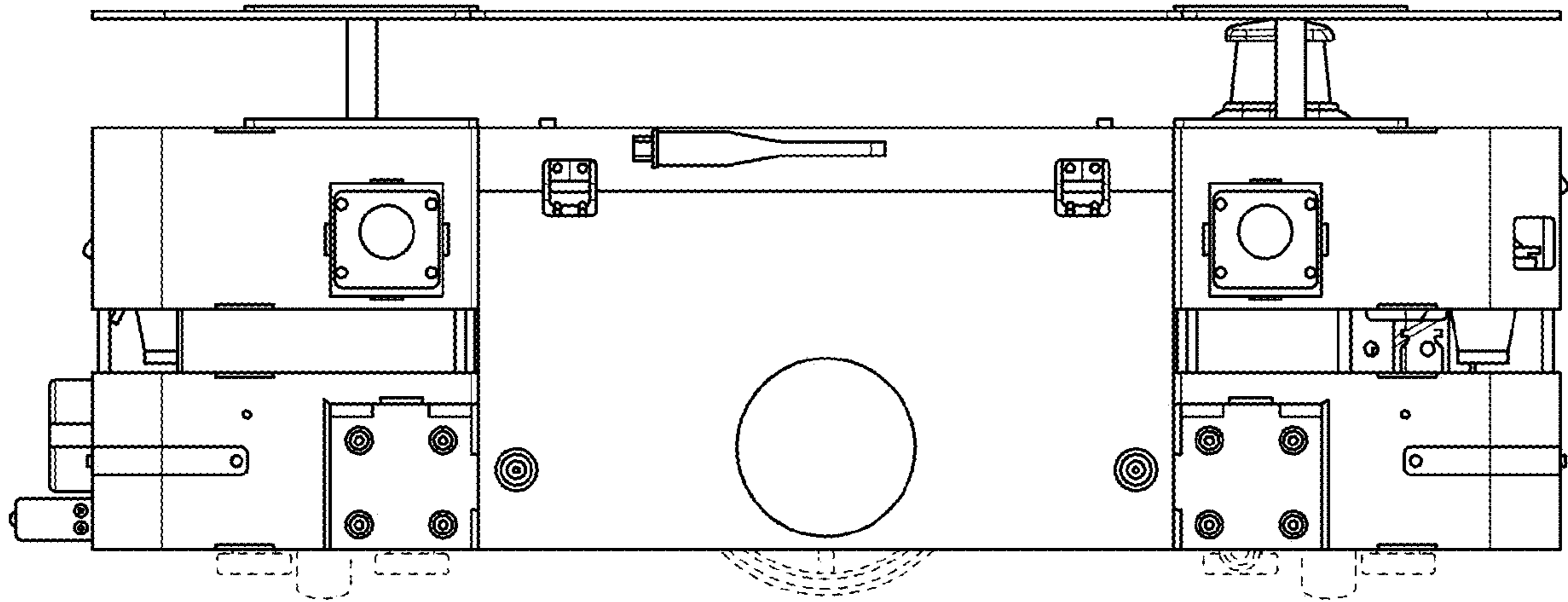


FIG. 5

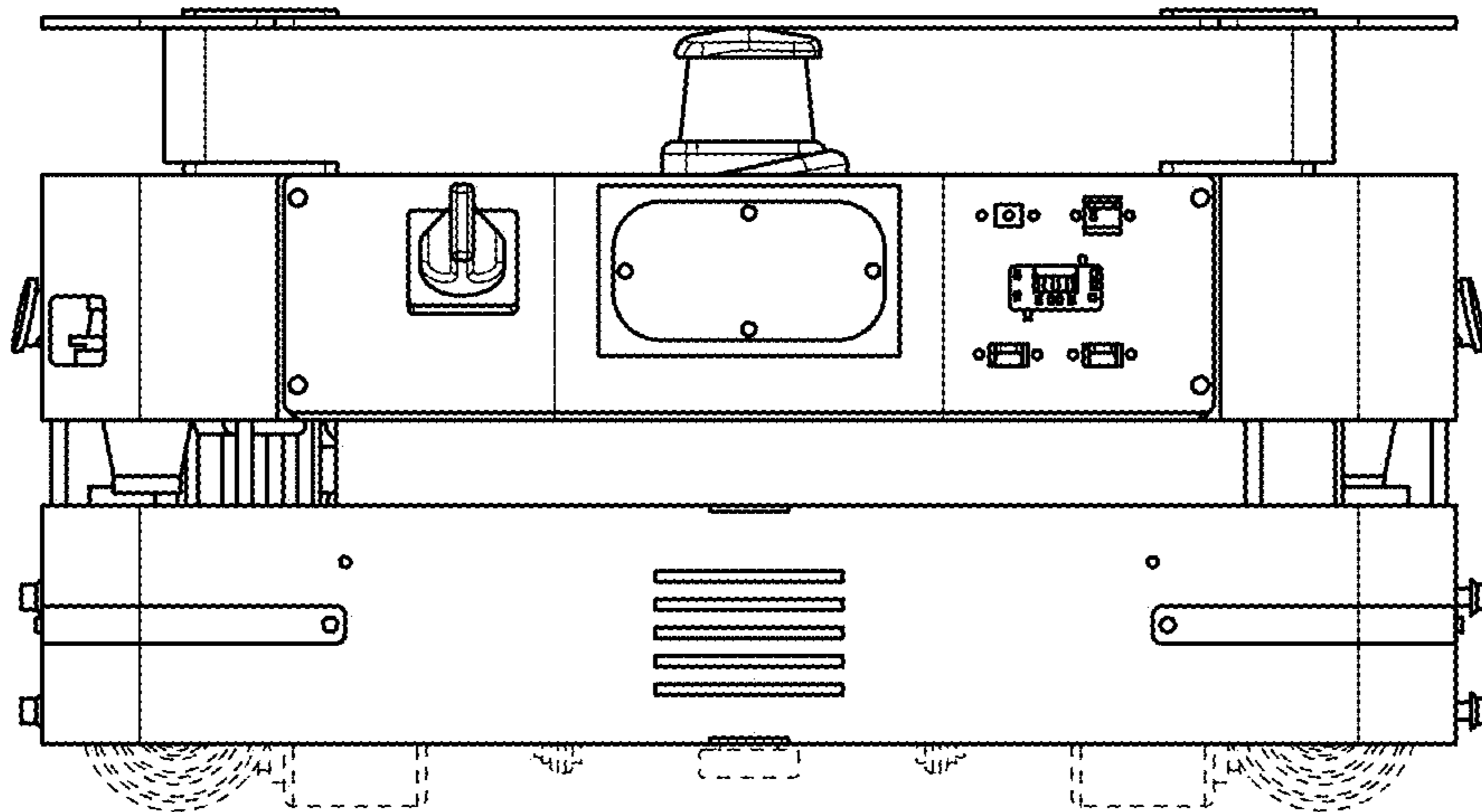


FIG. 6

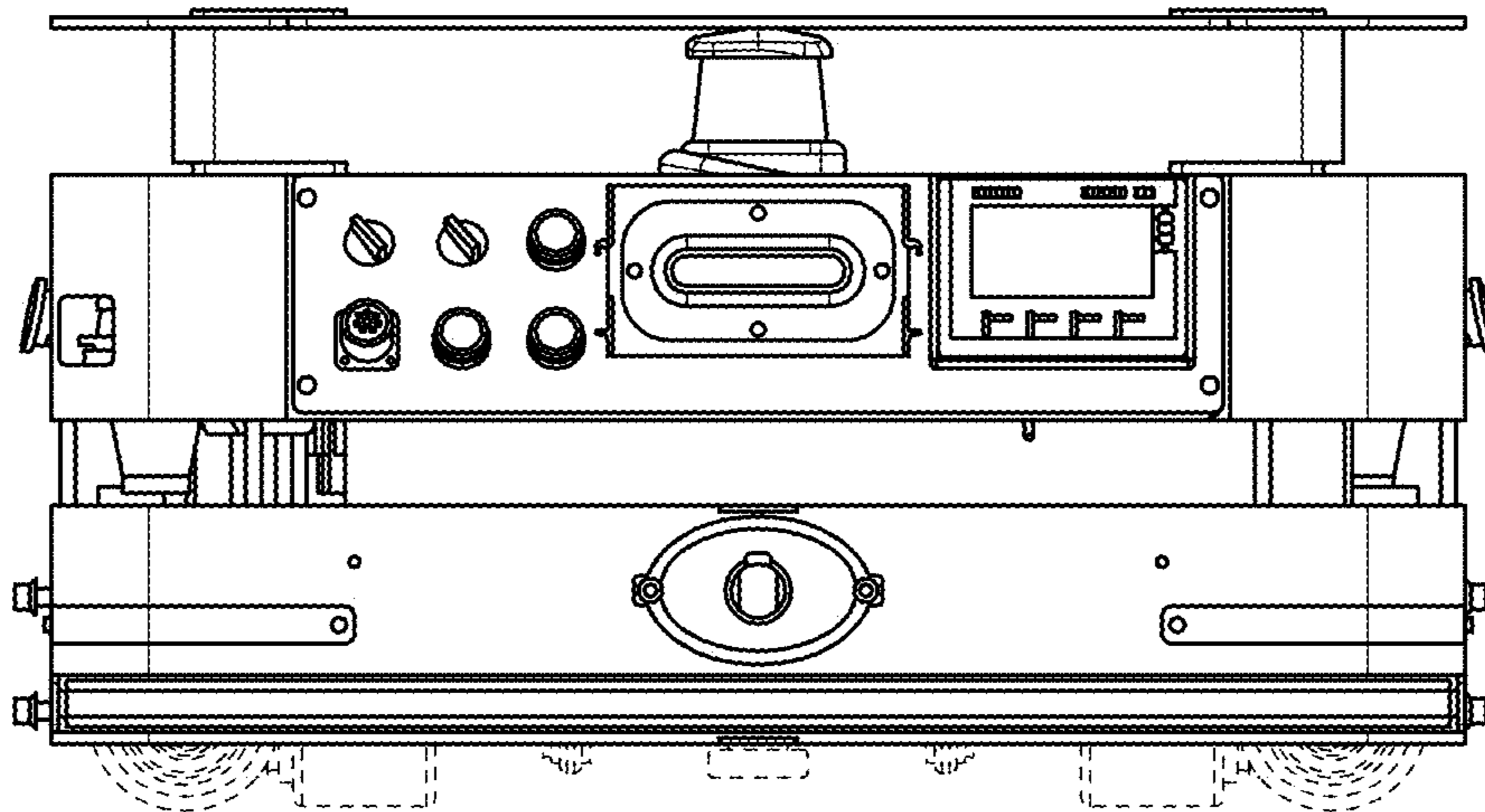


FIG. 7