



US00D950614S

(12) **United States Design Patent** (10) **Patent No.:** **US D950,614 S**
Kida et al. (45) **Date of Patent:** **** May 3, 2022**

(54) **LASER BEAM MACHINE**
(71) Applicant: **Shachihata Inc.**, Nagoya (JP)
(72) Inventors: **Masaki Kida**, Tokyo (JP); **Motohide Imaizumi**, Tokyo (JP)
(73) Assignee: **Shachihata Inc.**, Nagoya (JP)

10,004,928 B2 * 6/2018 Shih B23K 26/38
D850,501 S * 6/2019 Schmitt D15/122
D854,059 S * 7/2019 Lerea D15/127
10,654,127 B2 * 5/2020 Li B23K 26/364
D922,456 S * 6/2021 Schmitt D15/122
D941,891 S * 1/2022 Di Vita D15/122
2003/0106880 A1 * 6/2003 Lai F16P 1/06
219/121.6

(Continued)

(**) Term: **15 Years**

FOREIGN PATENT DOCUMENTS

(21) Appl. No.: **29/722,513**

JP 0869132 S 5/1993
JP 0895482 S 4/1994

(22) Filed: **Jan. 30, 2020**

(Continued)

(30) **Foreign Application Priority Data**

OTHER PUBLICATIONS

Oct. 21, 2019 (JP) 2019-023363

C02 Laser Engraver Ruida System | ebay.com; no posting date [online], © 1995-2021 eBay Inc [retrieved Oct. 8, 2021] from Internet: <<https://www.ebay.com/itm/302833648784>> (Year: 2021).*

(51) **LOC (13) Cl.** **15-09**

(52) **U.S. Cl.**
USPC **D15/122; D10/46**

(Continued)

(58) **Field of Classification Search**
USPC D10/46, 49, 61, 62, 70, 81, 83; D15/122, D15/127, 199

CPC ... B23K 26/362; B23K 26/352; B23K 26/364
See application file for complete search history.

Primary Examiner — Katherine Glennon

(74) *Attorney, Agent, or Firm* — Westerman, Hattori, Daniels & Adrian, LLP

(56) **References Cited**

(57) **CLAIM**

The ornamental design for a laser beam machine, as shown.

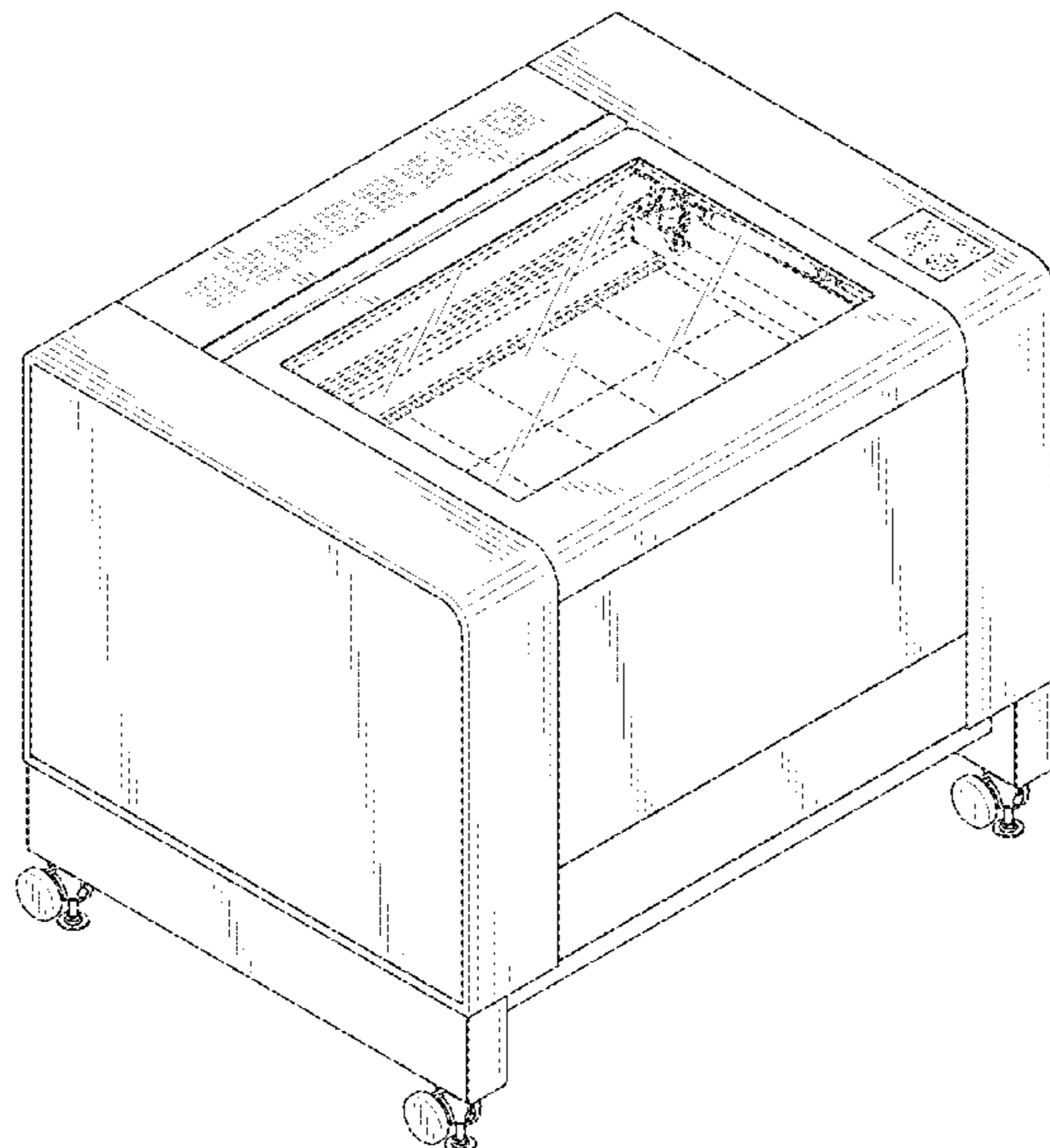
U.S. PATENT DOCUMENTS

DESCRIPTION

D343,626 S * 1/1994 Fan D15/127
D419,573 S * 1/2000 Kawahara D15/122
D424,584 S * 5/2000 Kawahara D15/122
6,855,911 B1 * 2/2005 Lai B23K 26/03
219/121.86
D729,083 S * 5/2015 Kobayashi D10/81
D746,345 S * 12/2015 Kida D15/135
D762,133 S * 7/2016 Derocher D10/81
D777,048 S * 1/2017 Barton D10/81
D777,808 S * 1/2017 Chang D15/122
D798,349 S * 9/2017 Li D15/122
D802,632 S * 11/2017 Li D15/122

FIG. 1 is a perspective view of a laser beam machine showing our new design;
FIG. 2 is a front view thereof;
FIG. 3 is a rear view thereof;
FIG. 4 is a right side view thereof;
FIG. 5 is a left side view thereof;
FIG. 6 is a top plan view thereof; and,
FIG. 7 is a bottom plan view thereof.

1 Claim, 4 Drawing Sheets



(56)

References Cited

U.S. PATENT DOCUMENTS

2017/0057008 A1* 3/2017 Liu H04N 7/183
2020/0038996 A1* 2/2020 Hofinger B44C 1/228

FOREIGN PATENT DOCUMENTS

JP 1180077 S 7/2003
JP 1476265 S 8/2013
JP 1484341 S 11/2013

OTHER PUBLICATIONS

Youbon Co.,Ltd., "CO2 laser beam machine KOJIANG Product Catalogue", p. 3, issued in Japan, received by the Japan Patent Office on Sep. 11, 2009, Japan Patent Office's reference No. HC21012623; listed on JP Notice dated Jun. 22, 2020.

Comnet Inc., "LaserPro Spirit", issued in Japan, received by the Japan Patent Office on Apr. 13, 2007, Japan Patent Office's reference No. HC19003204; Consider by examiner; listed on JP Notice dated Jun. 22, 2020.

Comnet Inc., "Perfection Inside Out LaserPro C180", p. 1, issued in Japan, received by the Japan Patent Office on Apr. 19, 2013, Japan Patent Office's reference No. HC25006965; listed on JP Notice dated Jun. 22, 2020.

Notice dated Jun. 22, 2020, issued in counterpart JP Application No. 2019-023363, with Partial Translation.

* cited by examiner

FIG. 1

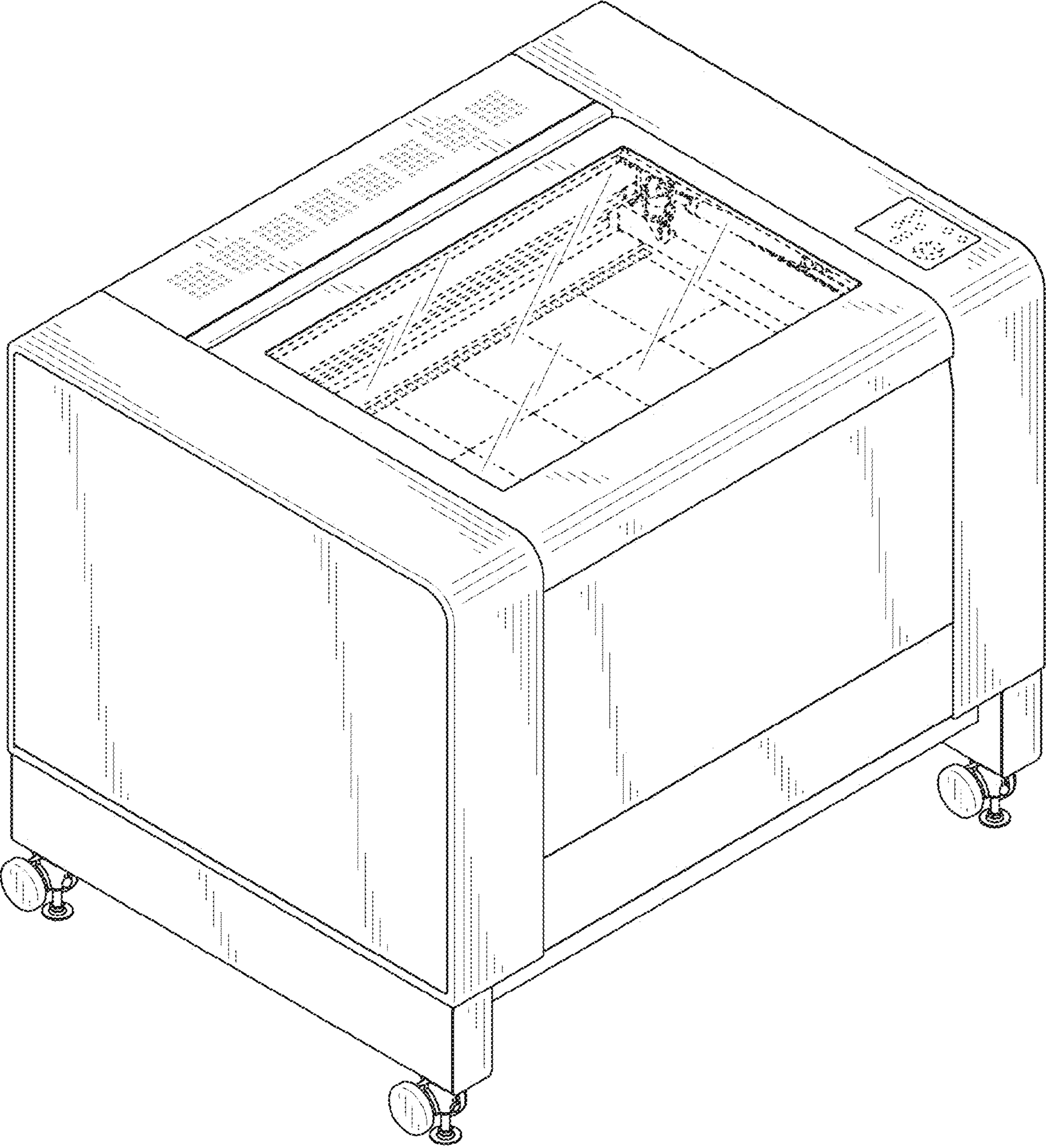


FIG.2

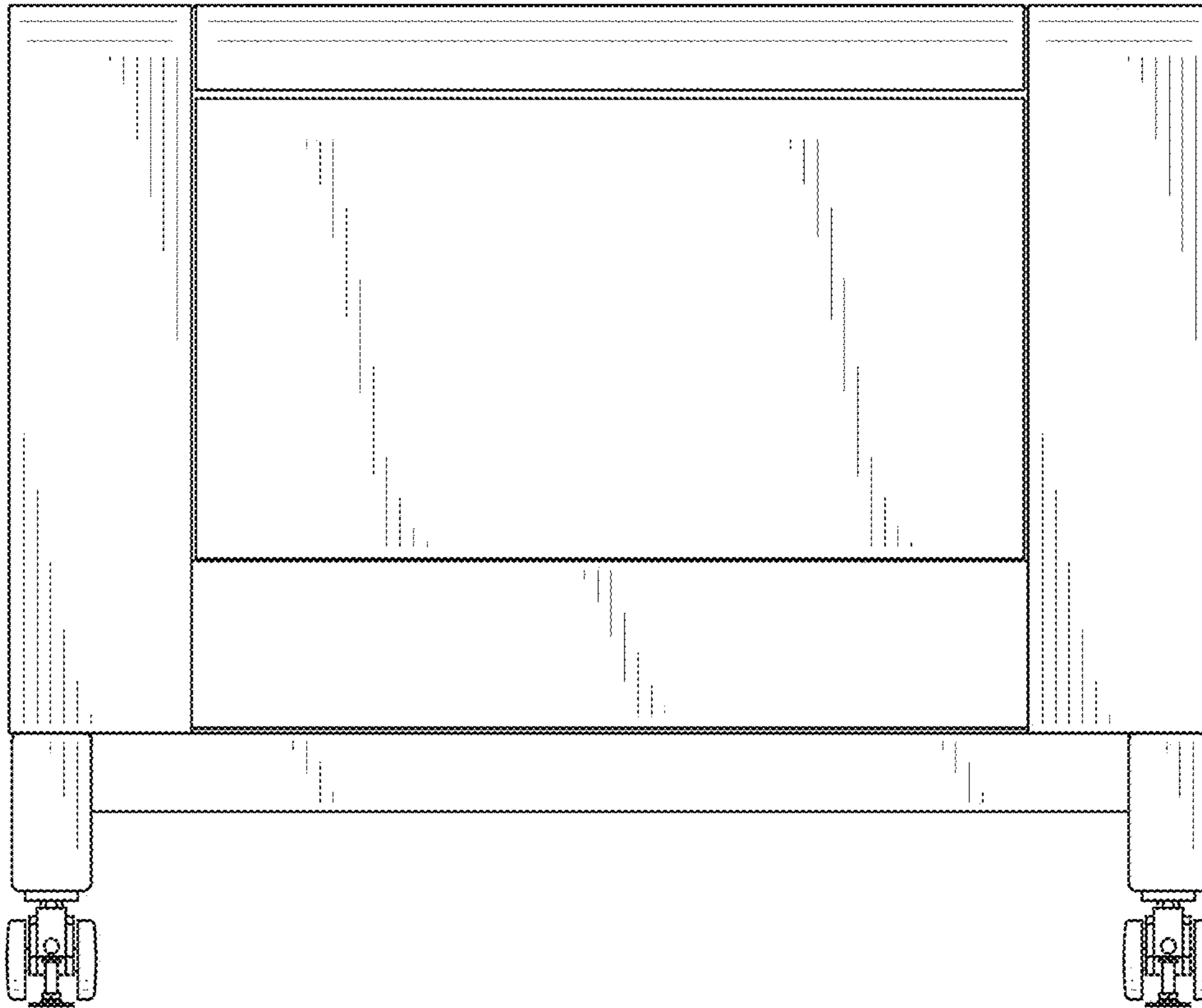


FIG.3

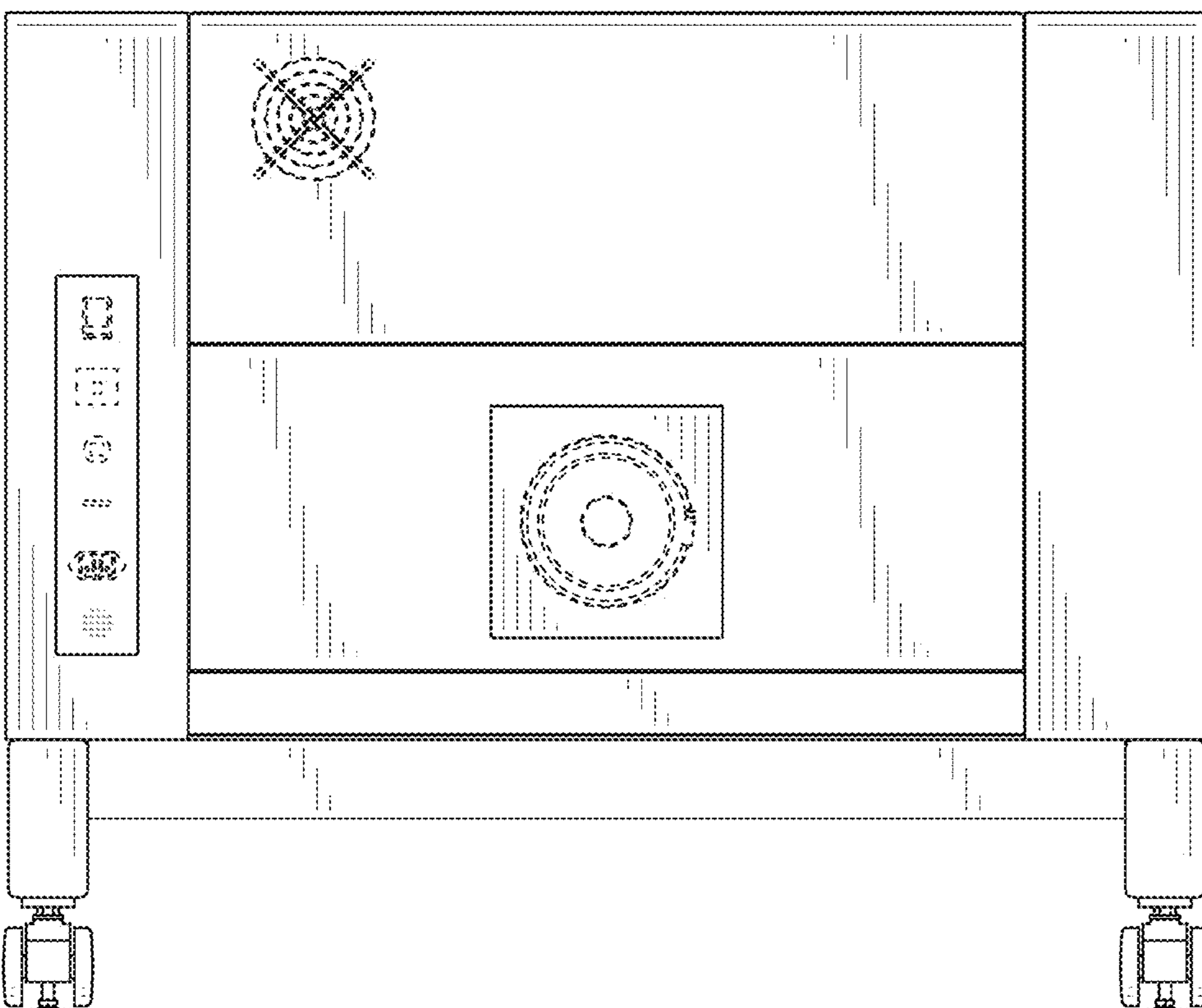


FIG.4

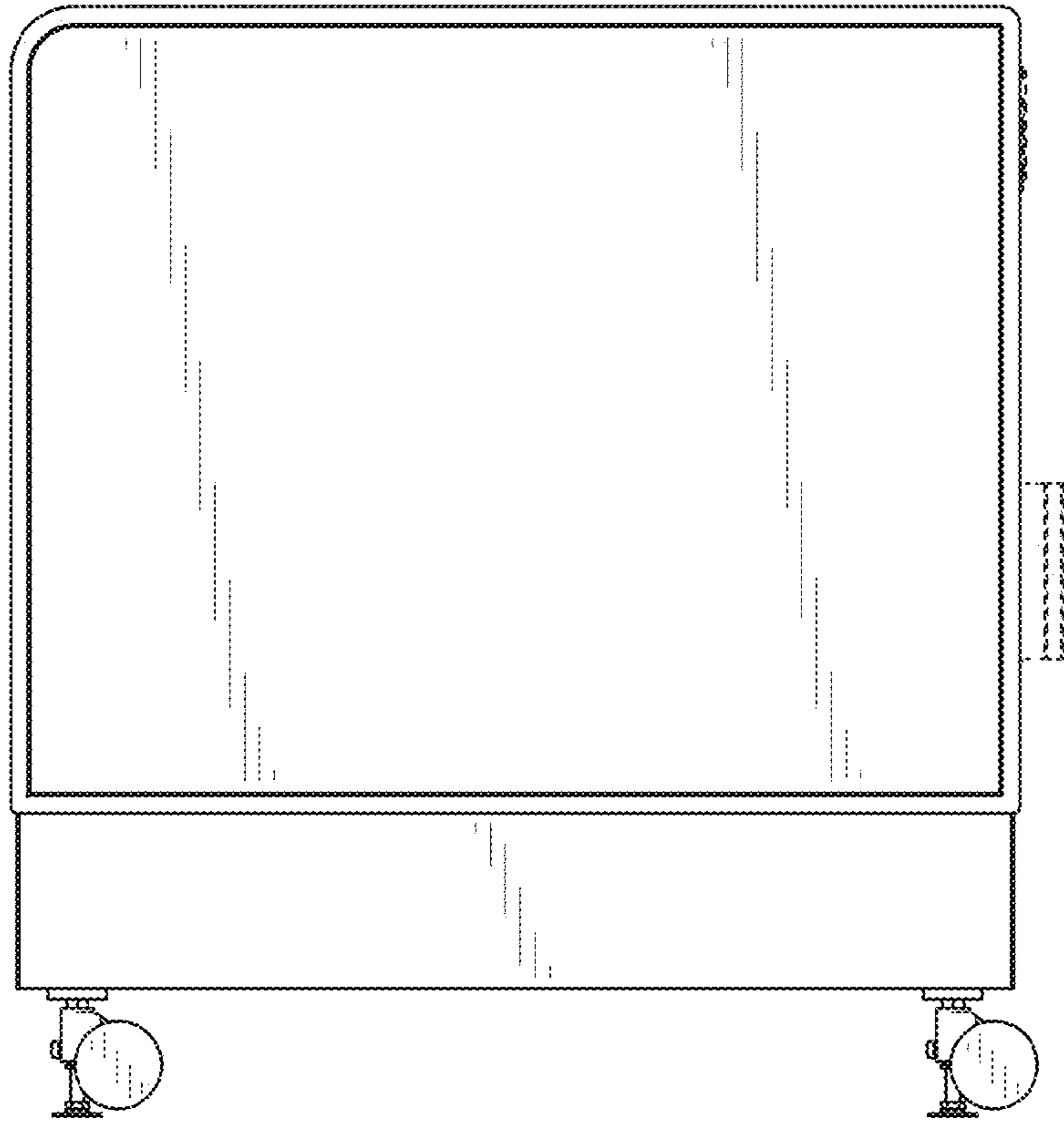


FIG.5

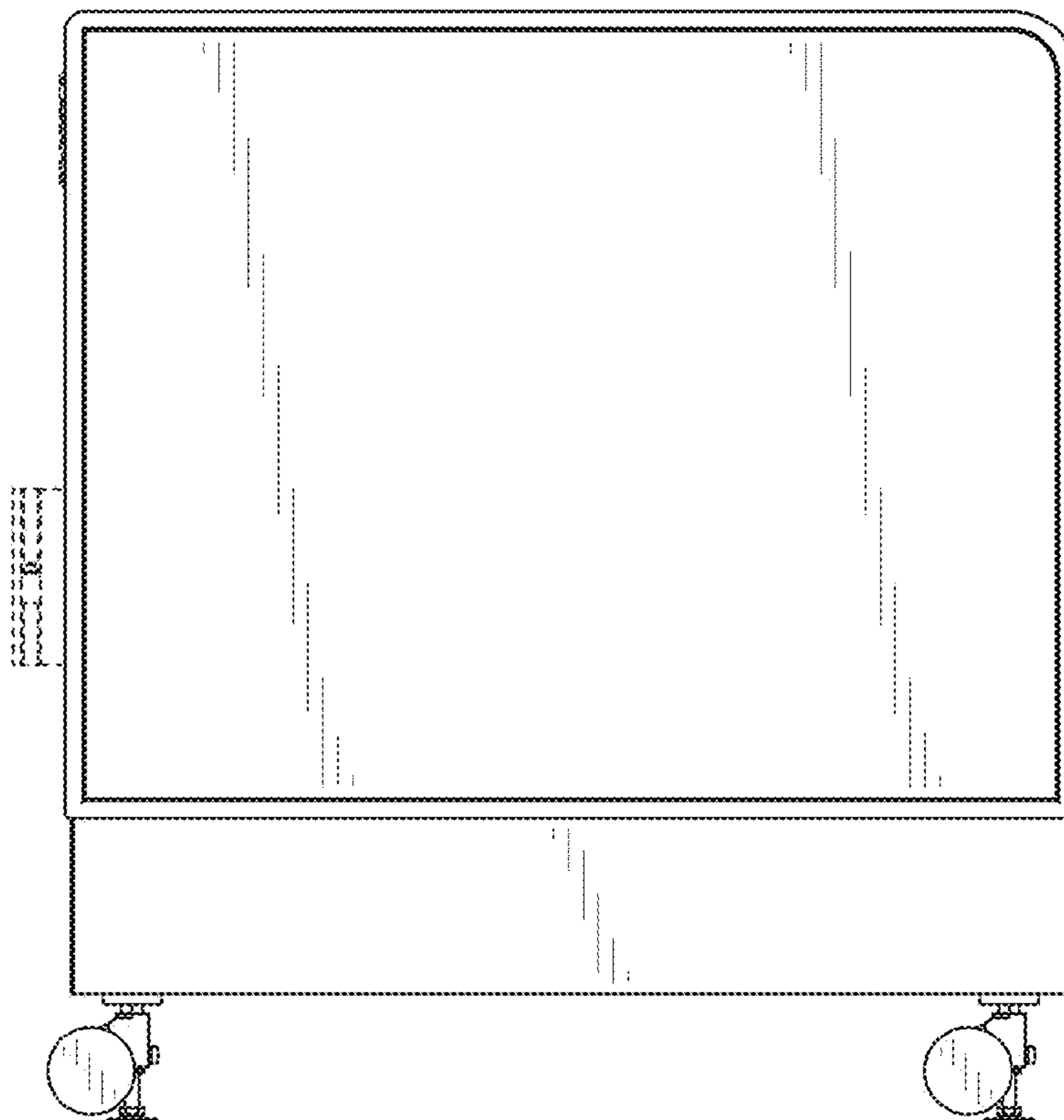


FIG.6

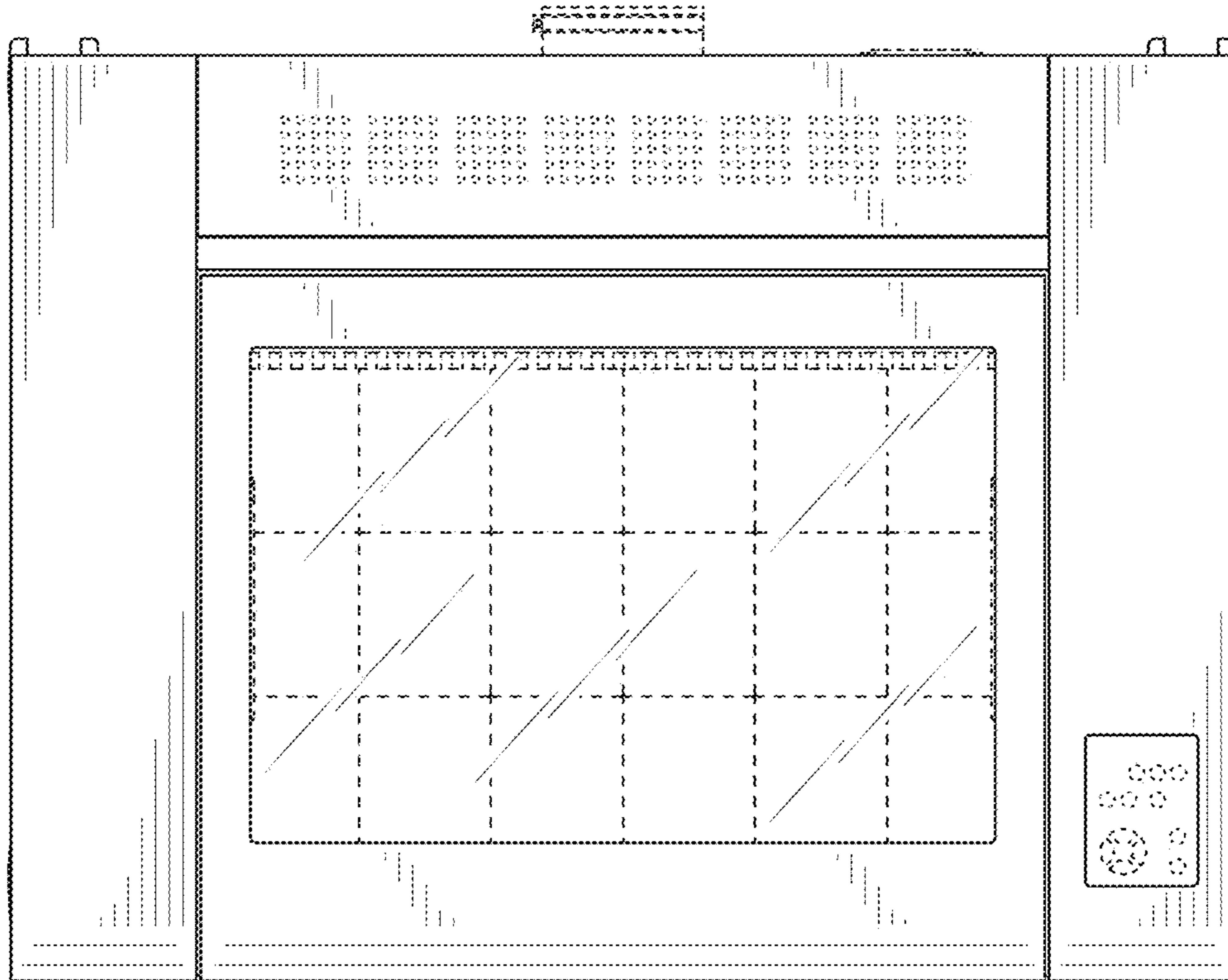


FIG.7

