



US00D950613S

(12) **United States Design Patent**
Ashurov

(10) **Patent No.:** **US D950,613 S**

(45) **Date of Patent:** **** May 3, 2022**

(54) **COOL PACK MEMBER**

(71) Applicant: **ALLSTAR MARKETING GROUP, LLP**, Hawthorne, NY (US)

(72) Inventor: **Aviator Ashurov**, East Brunswick, NJ (US)

(73) Assignee: **ALLSTAR MARKETING GROUP, LLC**, Hawthorne, NY (US)

(**) Term: **15 Years**

(21) Appl. No.: **29/708,228**

(22) Filed: **Oct. 4, 2019**

(51) **LOC (13) Cl.** **15-07**

(52) **U.S. Cl.**
USPC **D15/90**

(58) **Field of Classification Search**
USPC D15/79-91; D7/368, 669, 603, 605, 300
CPC .. F25J 2220/02; F25J 2270/902; F25J 3/0209;
F25J 3/061; F25J 1/0065; F25J 1/0245;
F25J 1/0269; F25J 1/0294; F25J 1/0298;
F25J 2270/912; F25D 17/02; F25D
19/006; F25D 19/00; F25D 2201/12;
F25D 2317/063; F25D 23/028; F25D
23/069; F25D 23/087; F25D 25/02

See application file for complete search history.

(56) **References Cited**

U.S. PATENT DOCUMENTS

D272,232 S * 1/1984 Parmentier D9/425
D352,045 S * 11/1994 Daenen F25C 1/24
D15/90

D363,075 S * 10/1995 Dunn D15/90
D365,911 S * 1/1996 Cassetti D24/102
D446,226 S * 8/2001 Heredia D15/90
D635,796 S * 4/2011 Buckles D15/90
D642,830 S * 8/2011 Buckles D15/90
D819,093 S * 5/2018 Hellman D15/90
D852,238 S * 6/2019 Kehoe D15/90
D917,336 S * 4/2021 Brown D15/90

* cited by examiner

Primary Examiner — Khawaja Anwar

(74) *Attorney, Agent, or Firm* — Andrew F. Young, Esq.;
Nolte Lackenbach Siegel

(57) **CLAIM**

The ornamental design for a cool pack member, as shown and described.

DESCRIPTION

FIG. 1 is a front top perspective of a cool pack member showing my new design.

FIG. 2 is a rear bottom perspective thereof.

FIG. 3 is a right side elevation view thereof.

FIG. 4 is a left side elevation view thereof.

FIG. 5 is a front elevation view thereof.

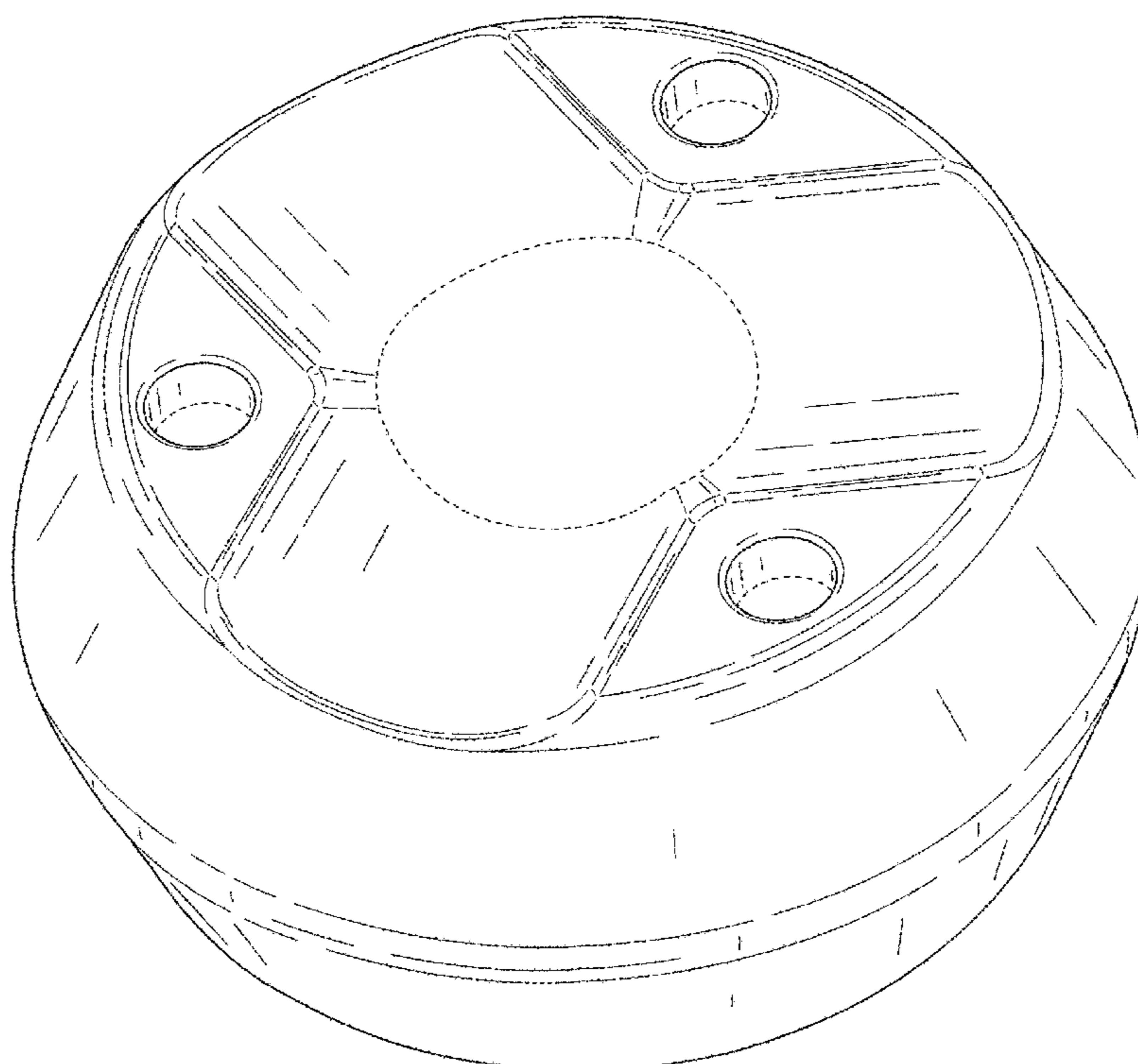
FIG. 6 is a rear elevation view thereof.

FIG. 7 is a top plan view thereof; and,

FIG. 8 is a bottom plan view thereof.

The dash-dash lines demark the boundary of disclaimed portions that form no part of the claimed design. No claim is made to portions that are not shown.

1 Claim, 8 Drawing Sheets



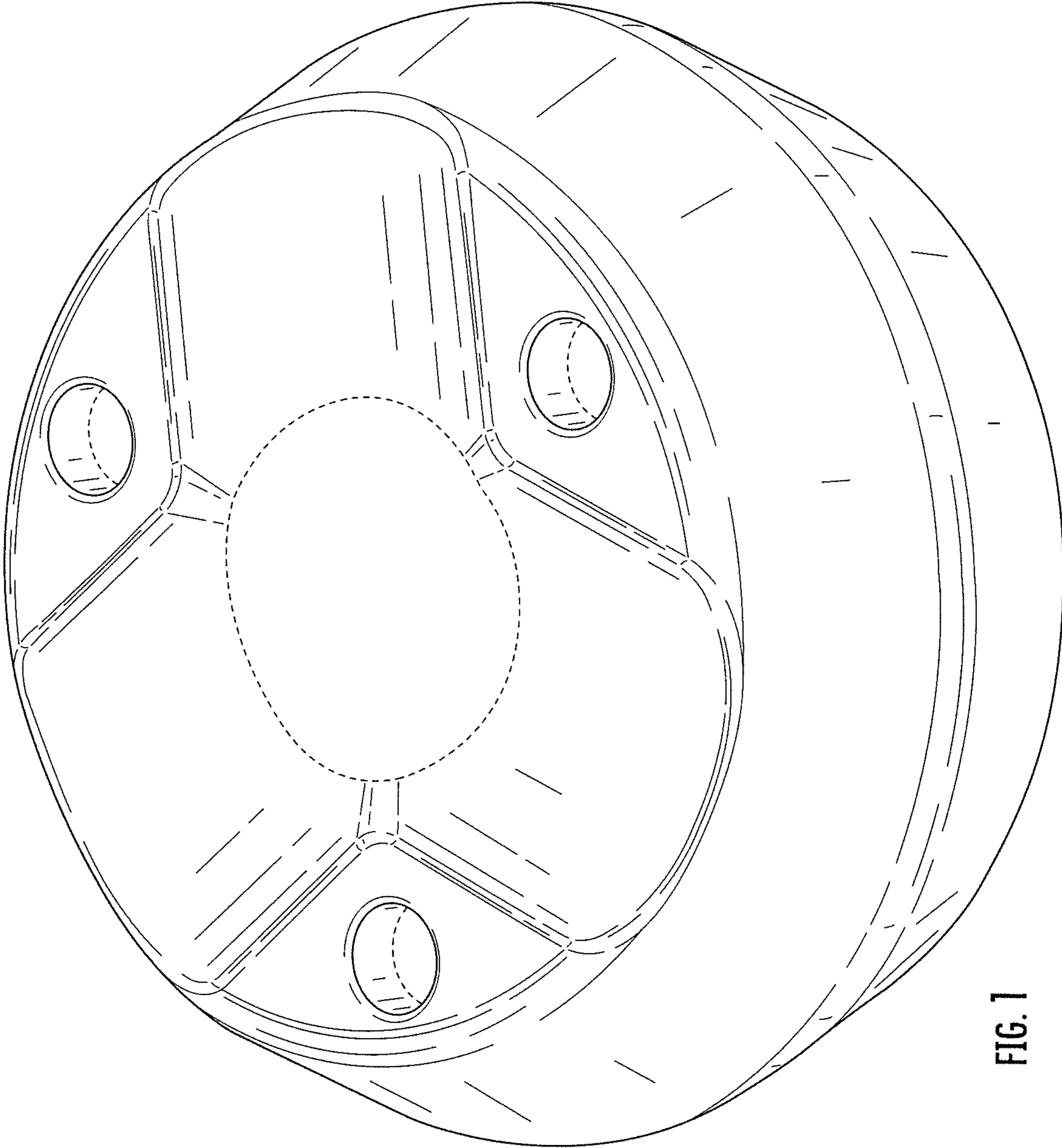


FIG. 1

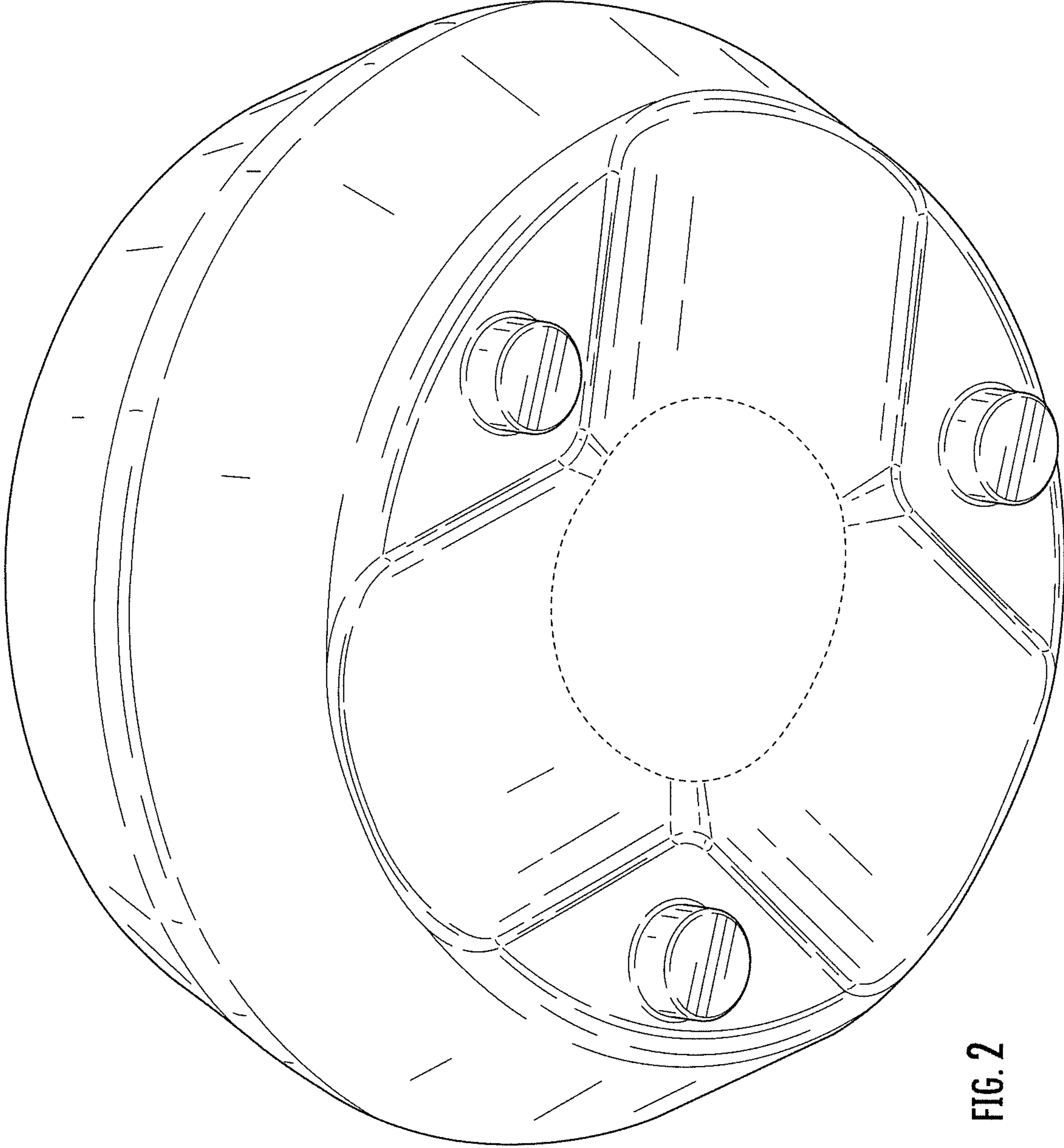


FIG. 2

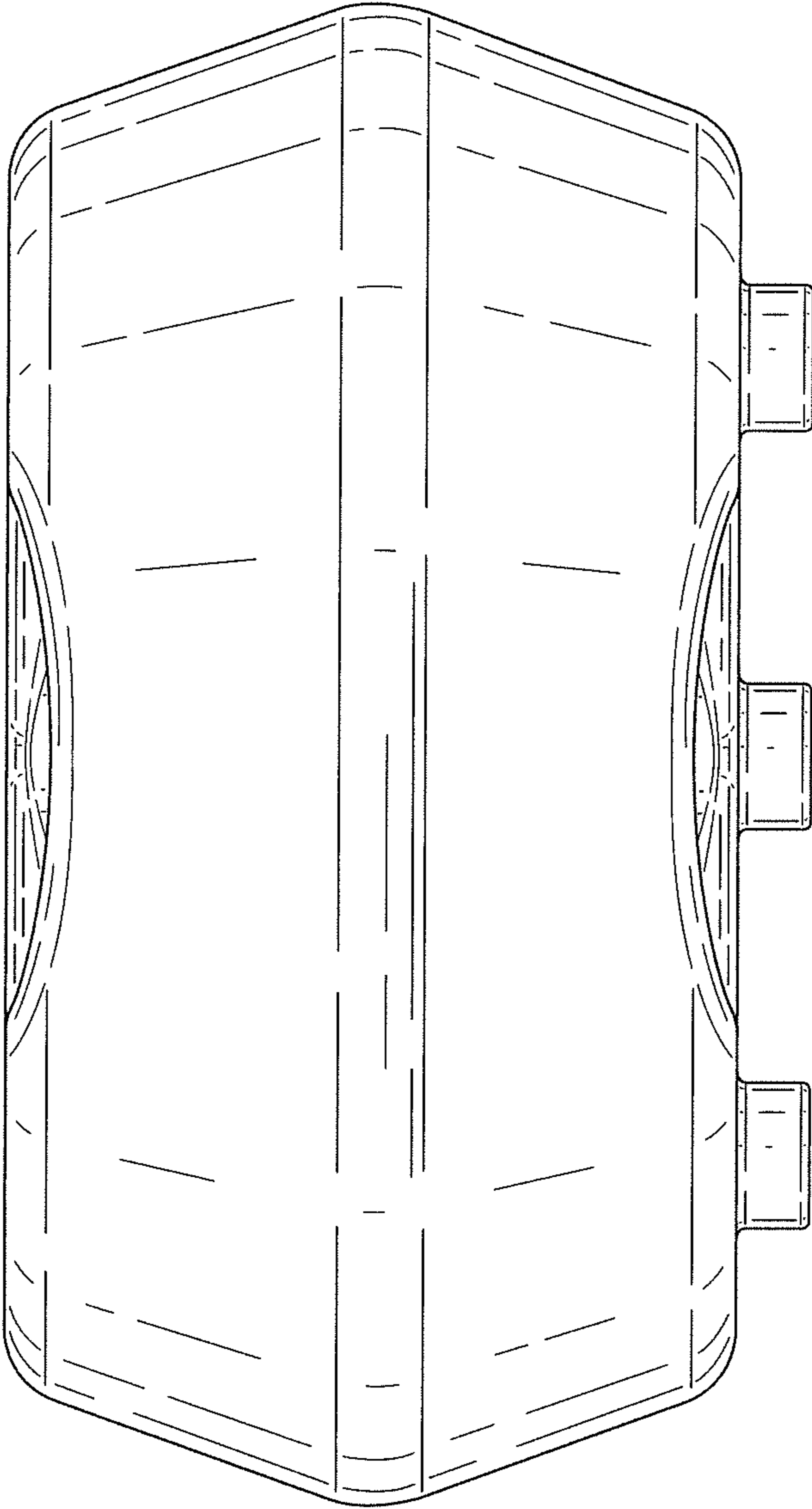


FIG. 3



FIG. 4

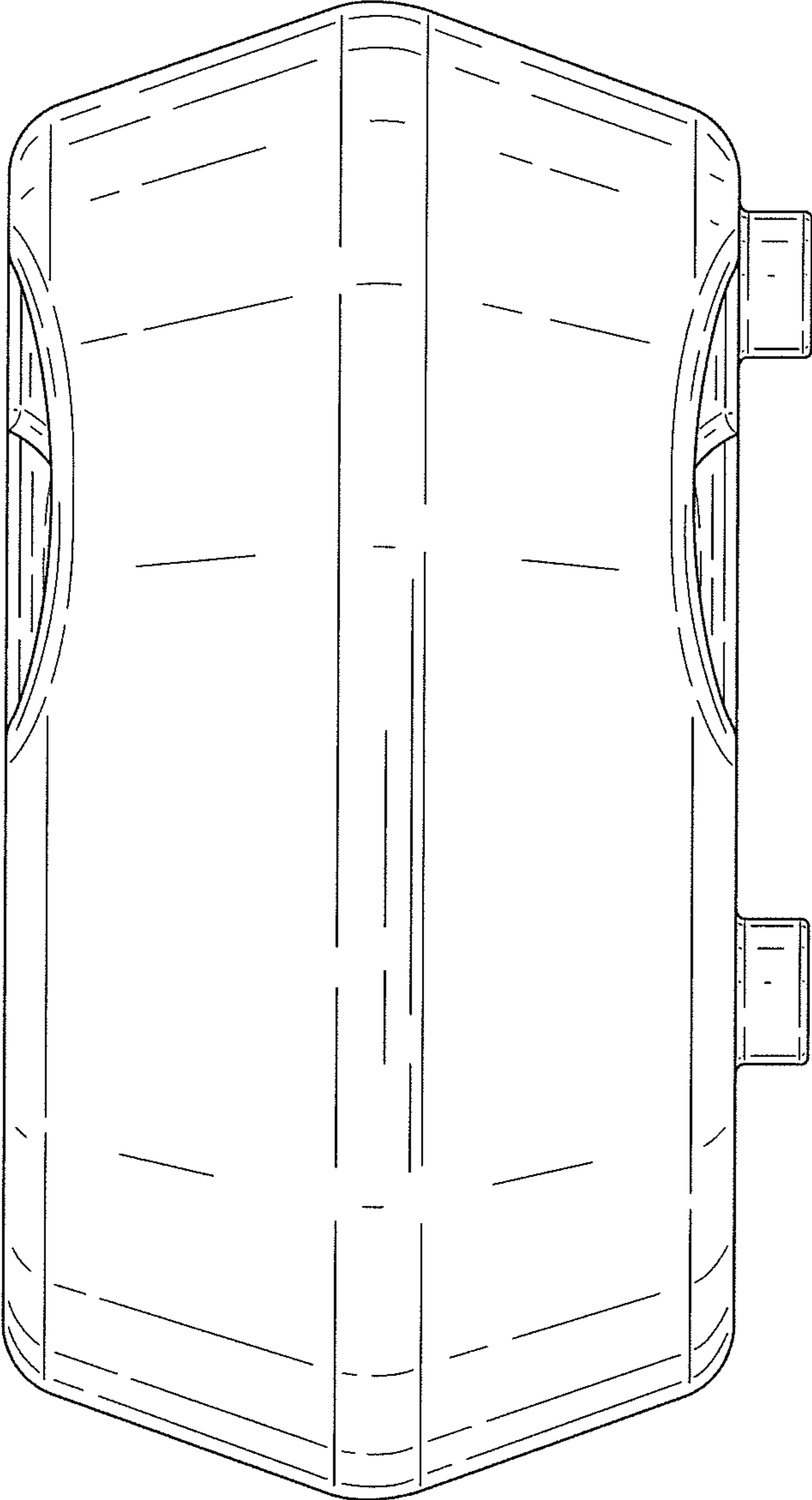


FIG. 5



FIG. 6

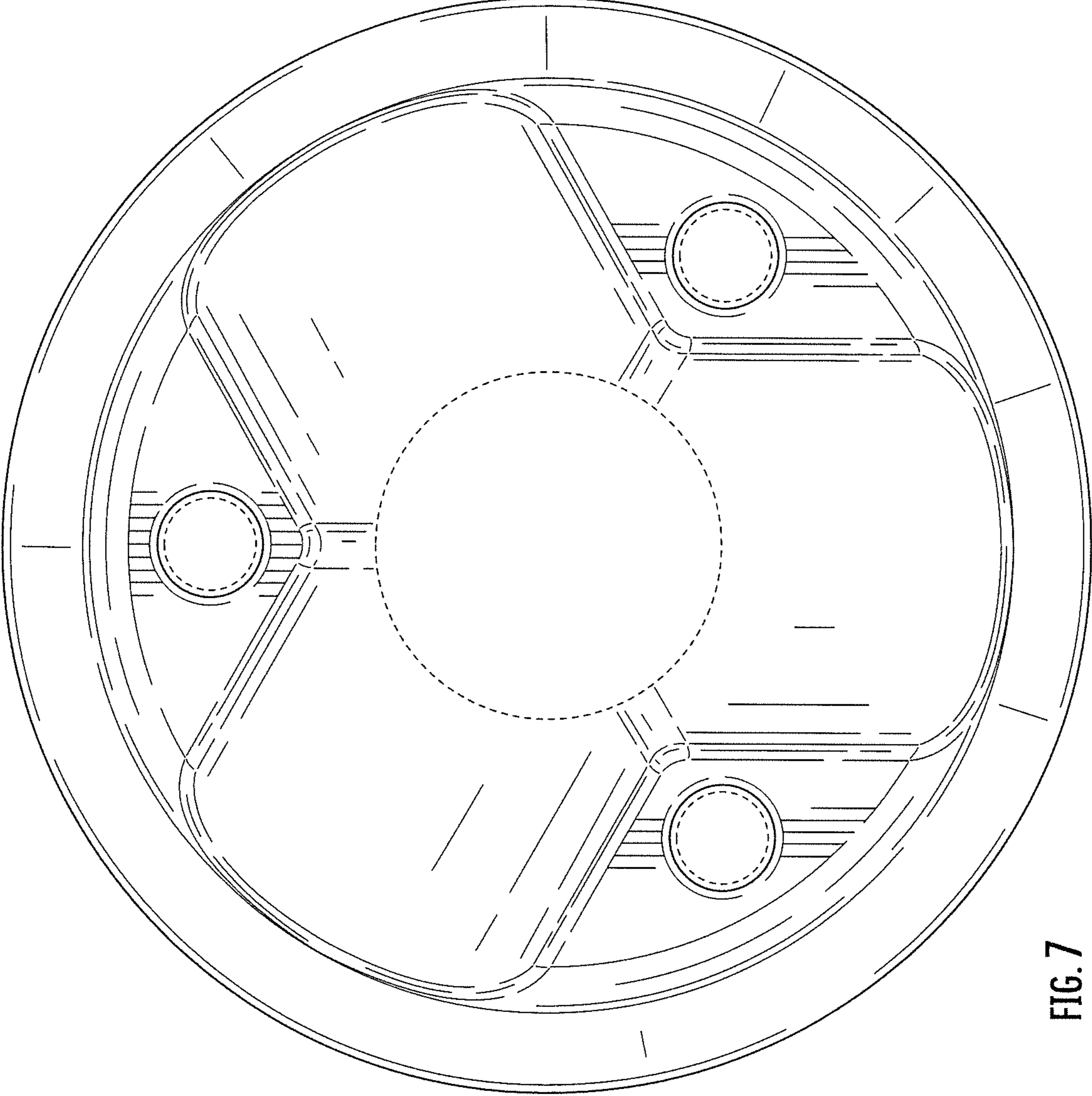


FIG. 7

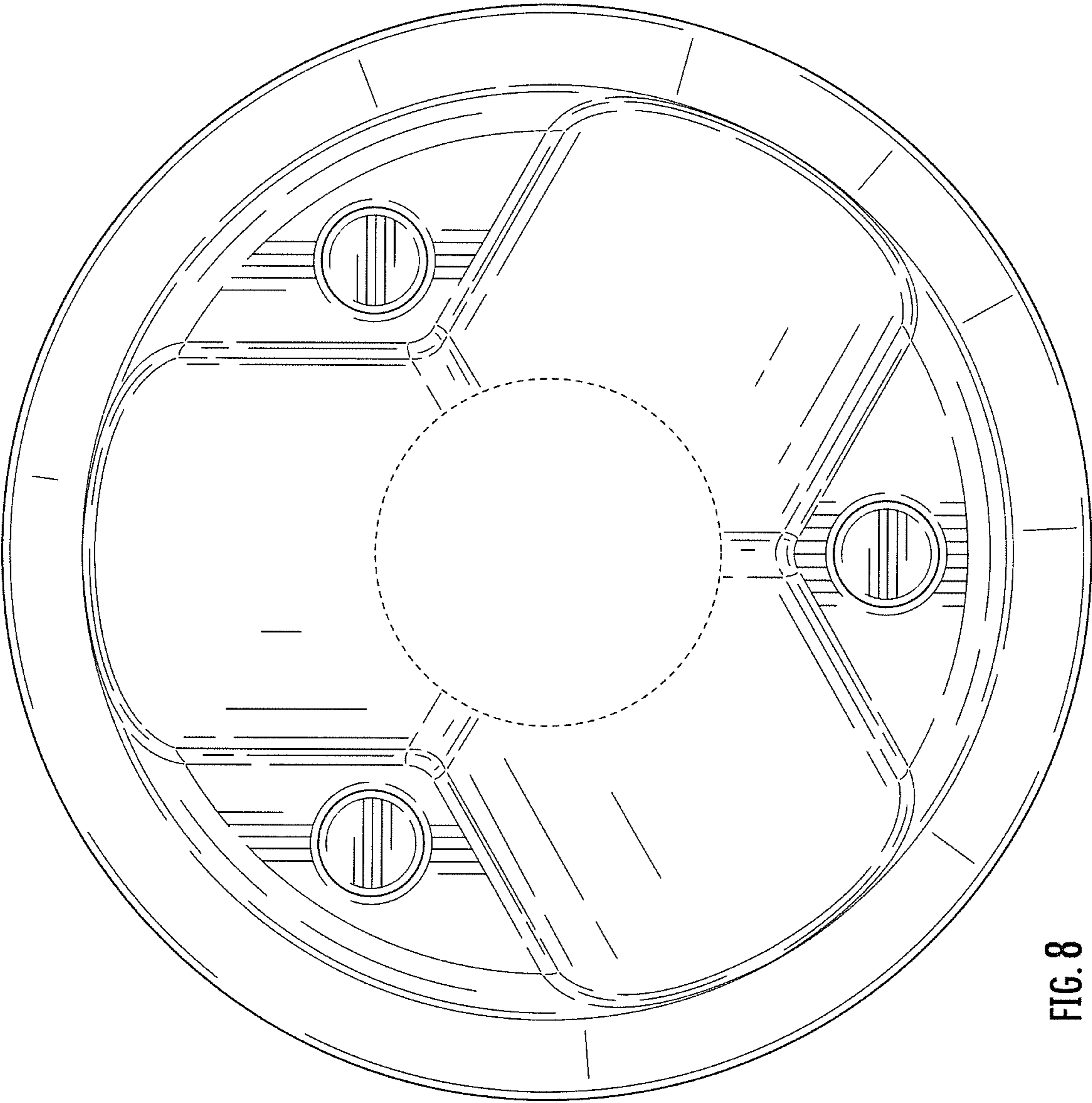


FIG. 8