



US00D950612S

(12) **United States Design Patent**
Choi et al.

(10) **Patent No.:** **US D950,612 S**
(45) **Date of Patent:** **** May 3, 2022**

(54) **REFRIGERATOR**

- (71) Applicant: **Samsung Electronics Co., Ltd.**,
Suwon-si (KR)
- (72) Inventors: **Junehyuck Choi**, Suwon-si (KR);
Seungji Mun, Suwon-si (KR)
- (73) Assignee: **Samsung Electronics Co., Ltd.**,
Suwon-si (KR)
- (**) Term: **15 Years**
- (21) Appl. No.: **29/733,188**
- (22) Filed: **Apr. 30, 2020**

(30) **Foreign Application Priority Data**

Jan. 31, 2020 (KR) 30-2020-0004383

(51) **LOC (13) Cl.** **15-07**

(52) **U.S. Cl.**
USPC **D15/79; D15/81**

(58) **Field of Classification Search**
USPC D15/79-91; 312/112-119, 236, 352,
312/400-408; 62/3.1, 3.6, 3.63, 3.64,
62/293, 371, 400, 467, 529, 531, 457.9
CPC .. F25D 23/028; F25D 2323/024; F25D 23/00;
F25D 23/02; F25D 2323/021; F25D
23/065; F25D 11/00; F25D 2201/14;
F25D 23/021; F25D 23/025; F25D 23/04;
F25D 27/00; F25D 23/062; F25D 23/067;
F25D 2400/18; F25D 23/08; F25D
23/085; F25D 2500/02; F25D 25/00;
F25D 25/005; F25D 25/022; F25D
25/024; F25D 17/047; F25D 2317/041;
F25D 2317/04131; F25D 2317/043; F25D
2317/0664; F25D

(Continued)

(56) **References Cited**

U.S. PATENT DOCUMENTS

- D166,715 S * 5/1952 Sandin D15/88
- D176,840 S * 2/1956 Dalley D15/83
- D239,490 S * 4/1976 Pellegrini D15/83

(Continued)

FOREIGN PATENT DOCUMENTS

- CN 201730003702 6/2017
- CN 2017300038342 6/2017

(Continued)

OTHER PUBLICATIONS

Roll Bar—Mobile Refrigerator [online] URL: <https://www.thegreenhead.com/2005/10/roll-bar-mobilerefrigerator.php> (site visited: Oct. 2021) (Year: 2005).*

(Continued)

Primary Examiner — Jae Liang
Assistant Examiner — Tia Ruth-Renee Polidori
(74) *Attorney, Agent, or Firm* — NSIP Law

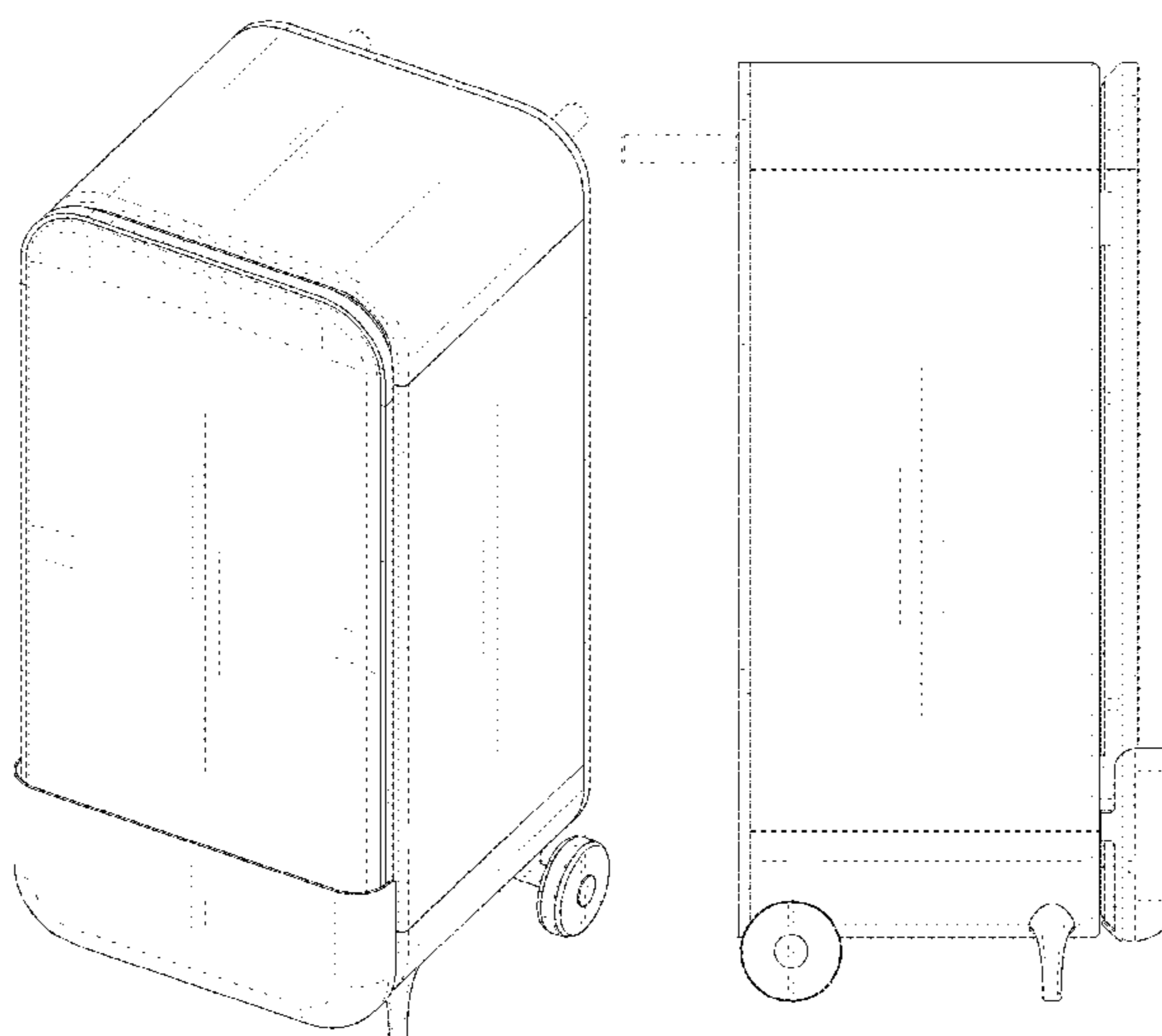
(57) **CLAIM**

We claim the ornamental design for a refrigerator, as shown and described.

DESCRIPTION

FIG. 1 is a front perspective view of a refrigerator showing our new design;
FIG. 2 is a front view thereof;
FIG. 3 is a rear view thereof;
FIG. 4 is a left-side view thereof;
FIG. 5 is a right-side view thereof;
FIG. 6 is a top view thereof;
FIG. 7 is a bottom view thereof;
FIG. 8 is another front perspective view thereof;
FIG. 9 is an exploded front perspective view thereof; and,
FIG. 10 is another exploded front perspective view thereof.
The broken lines in the figures depict portions of the refrigerator which form no part of the claimed design.

1 Claim, 10 Drawing Sheets



(58) **Field of Classification Search**
 CPC 2321/147; F25D 2323/02; F25D 2323/023;
 F25D 2400/12
 See application file for complete search history.

(56) **References Cited**

U.S. PATENT DOCUMENTS

D312,644 S *	12/1990	Hase	D15/81
5,259,215 A *	11/1993	Rocca	A45C 5/143 280/30
D736,272 S *	8/2015	Stolarz	D15/81
D803,903 S *	11/2017	Wang	D15/88
D847,874 S *	5/2019	Kim	D15/81
D853,454 S *	7/2019	Kim	D15/81
D886,164 S *	6/2020	Mangiarotti	D15/81
D888,109 S *	6/2020	Kim	D15/79
D896,856 S *	9/2020	Zhou	D15/81
D909,431 S *	2/2021	Kim	D15/79
D927,562 S *	8/2021	Kong	D15/81

FOREIGN PATENT DOCUMENTS

CN	2017303516416	9/2017
CN	2017305075259	6/2018

CN	2018303153597	5/2019
CN	306098576	* 10/2020
CN	306168743	* 11/2020
CN	306648241	* 6/2021
GB	8208467000-1000	* 5/2020
GB	8208467000-2000	* 5/2020
KR	301086331.0000	* 12/2020
KR	301086332.0000	* 12/2020
RU	00125251	* 5/2021
WO	WOD208467-001	* 11/2020
WO	WOD208467-002	* 11/2020
WO	WOD200397-001	* 1/2021
WO	WOD200397-002	* 1/2021

OTHER PUBLICATIONS

Kegco Keg [online] URL: <https://www.amazon.com/dp/B07J9HR2TN?tag=aboutcom02thespruce-20&linkCode=ogi&th=1&ascsubtag=4172076%> (site visited: Oct. 2021) (Year: 2018).*

Smeg [online] URL: <https://www.thekitchn.com/10-small-refrigerators-for-1-000-or-less-110535> (site visited: Oct. 2021) (Year: 2020).*

* cited by examiner

FIG. 1

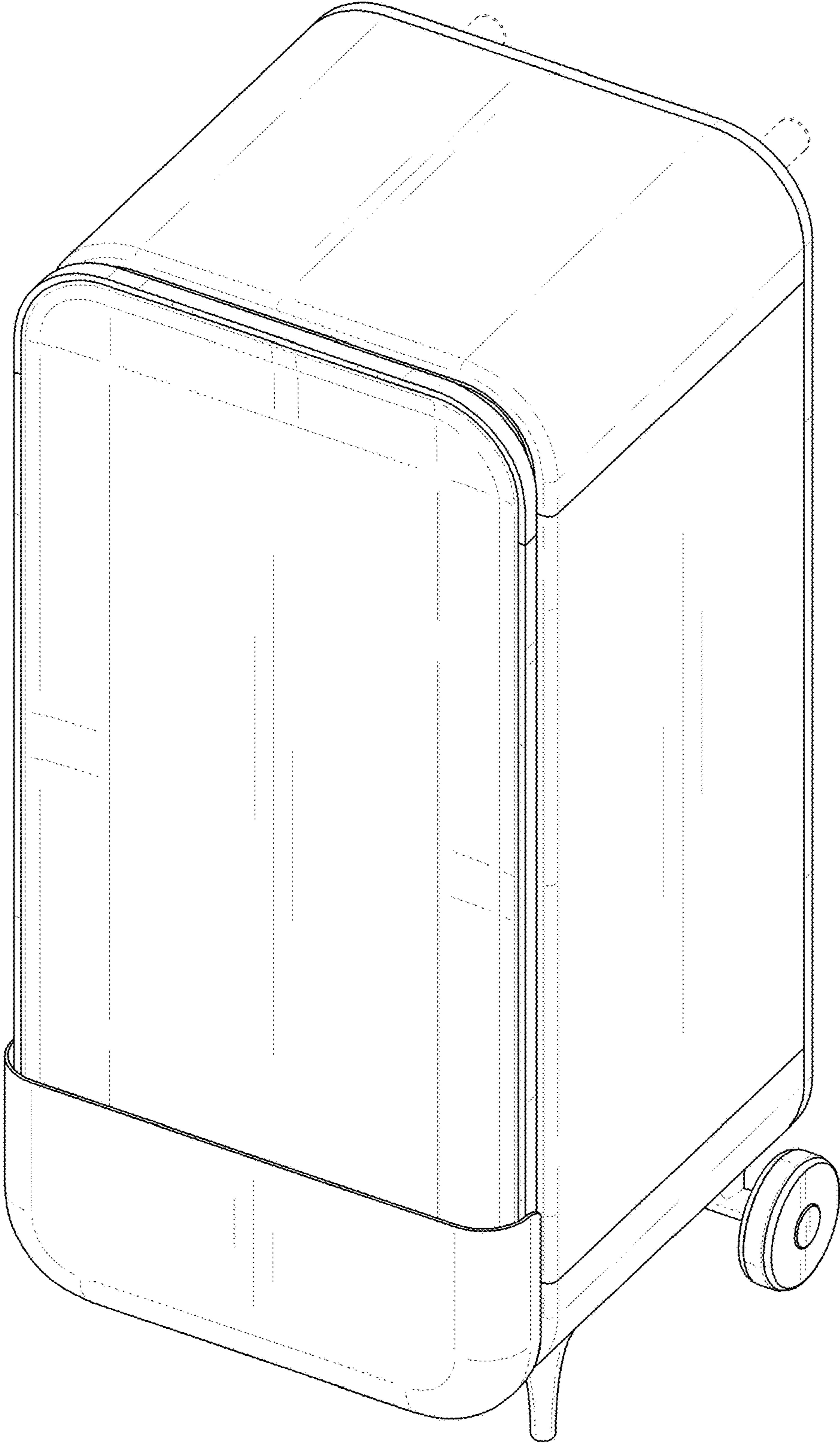


FIG. 2

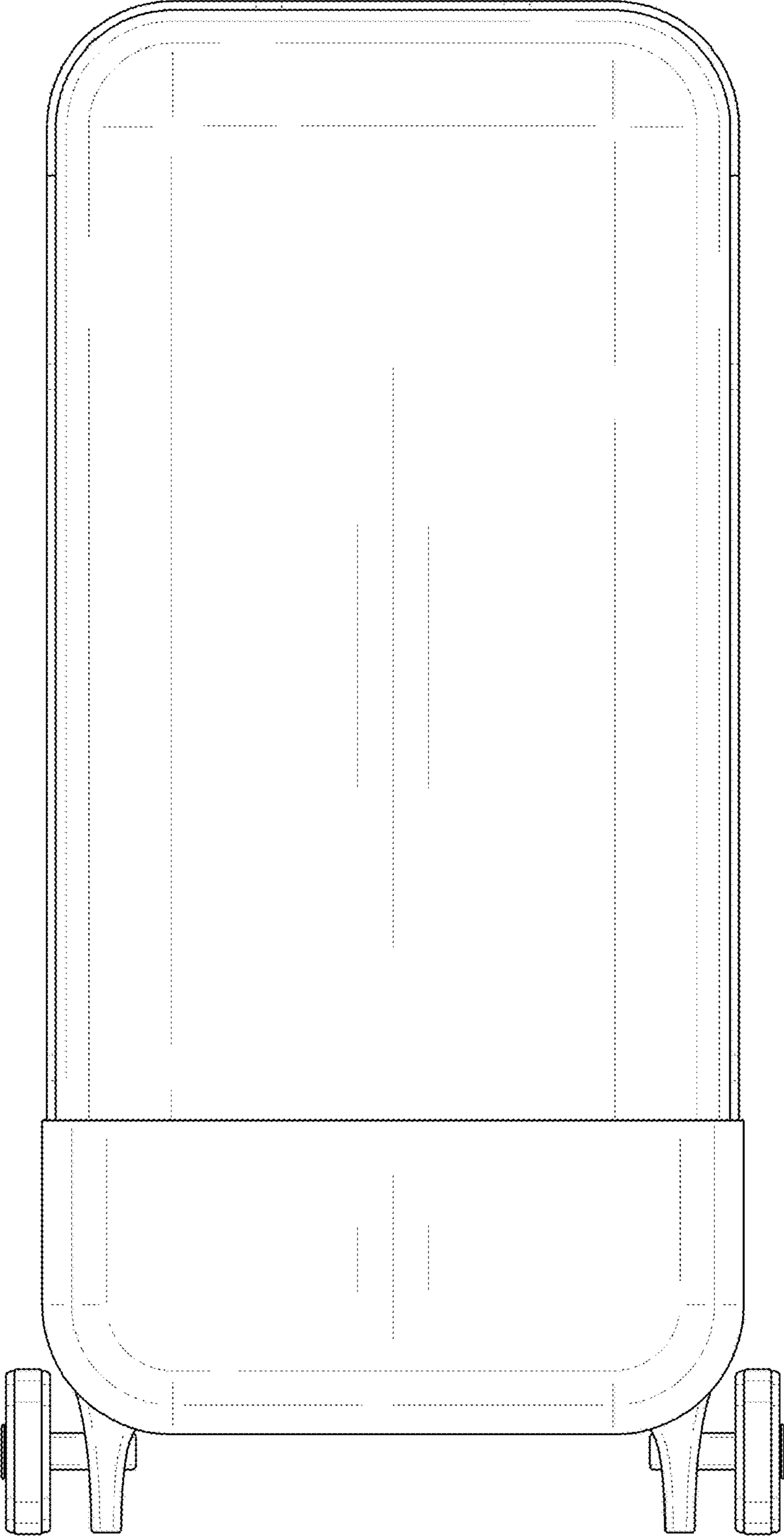


FIG. 3

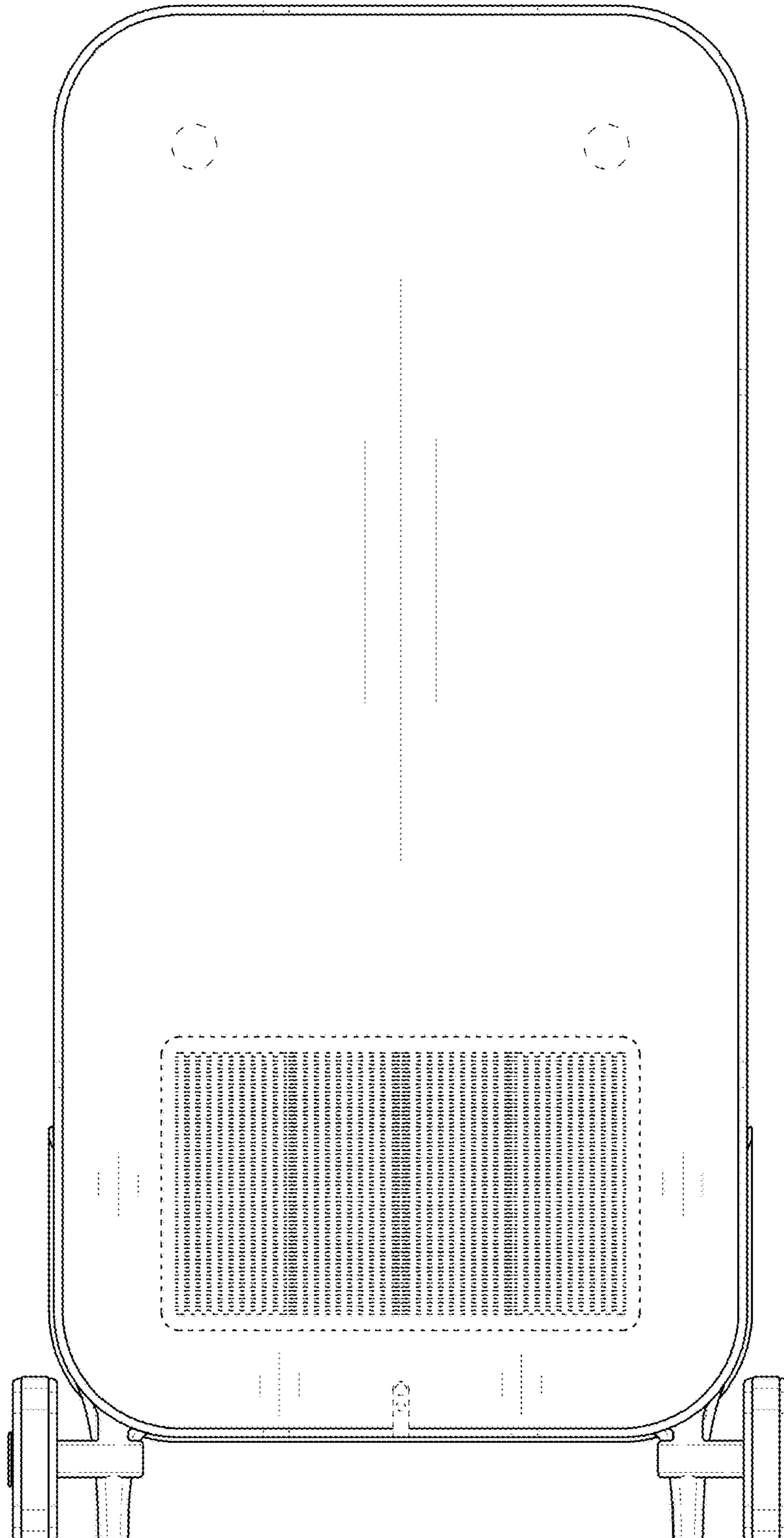


FIG. 4

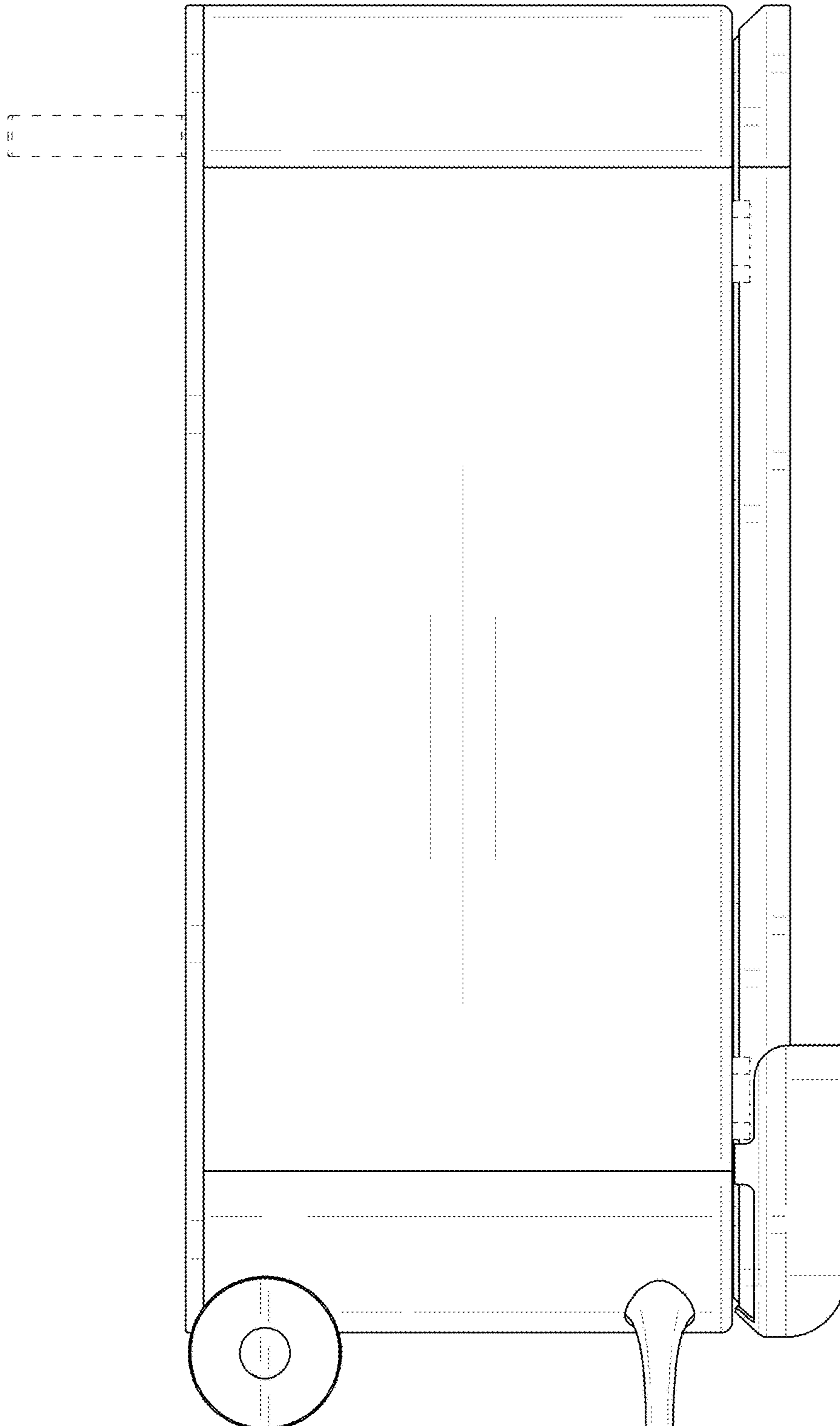


FIG. 5

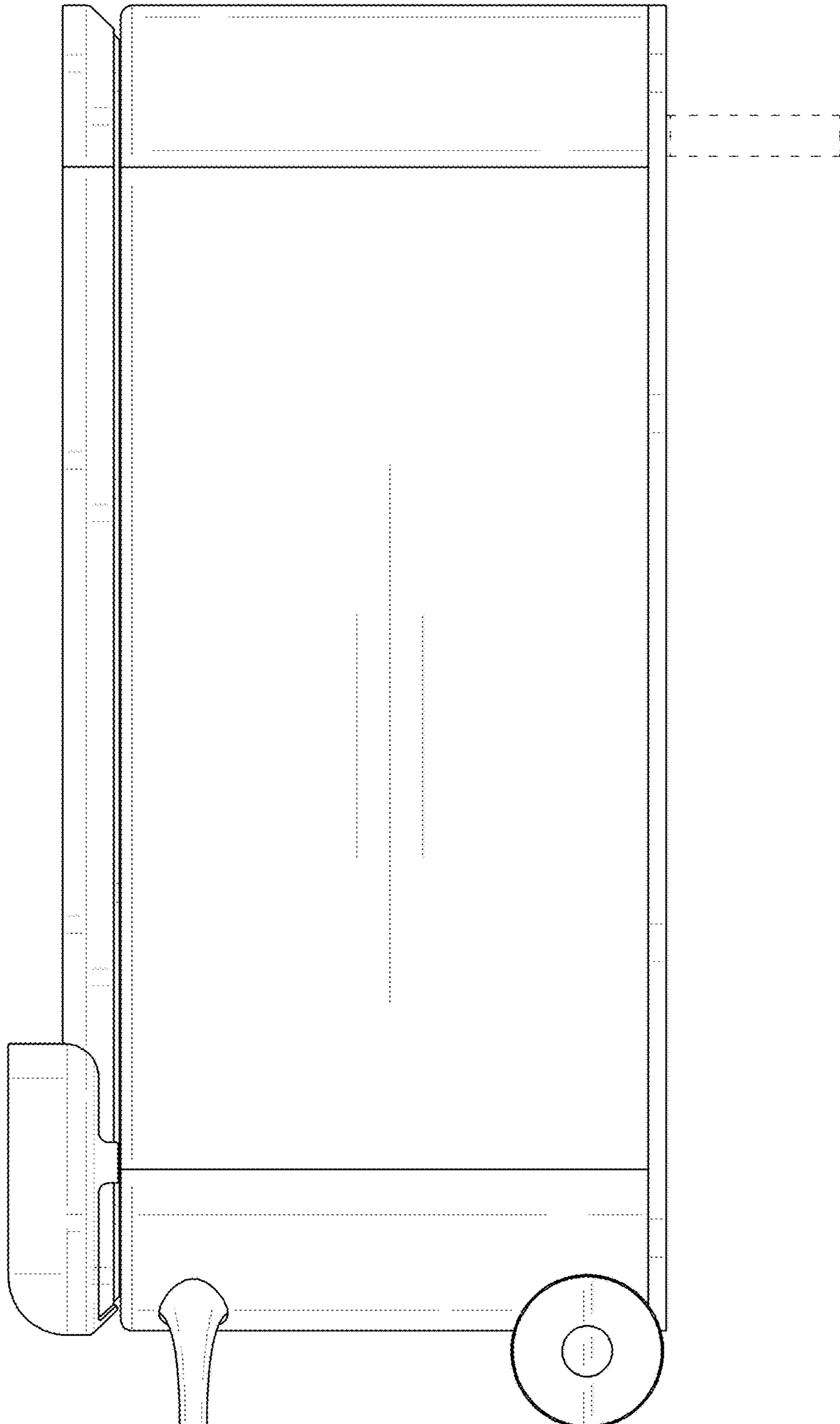


FIG. 6

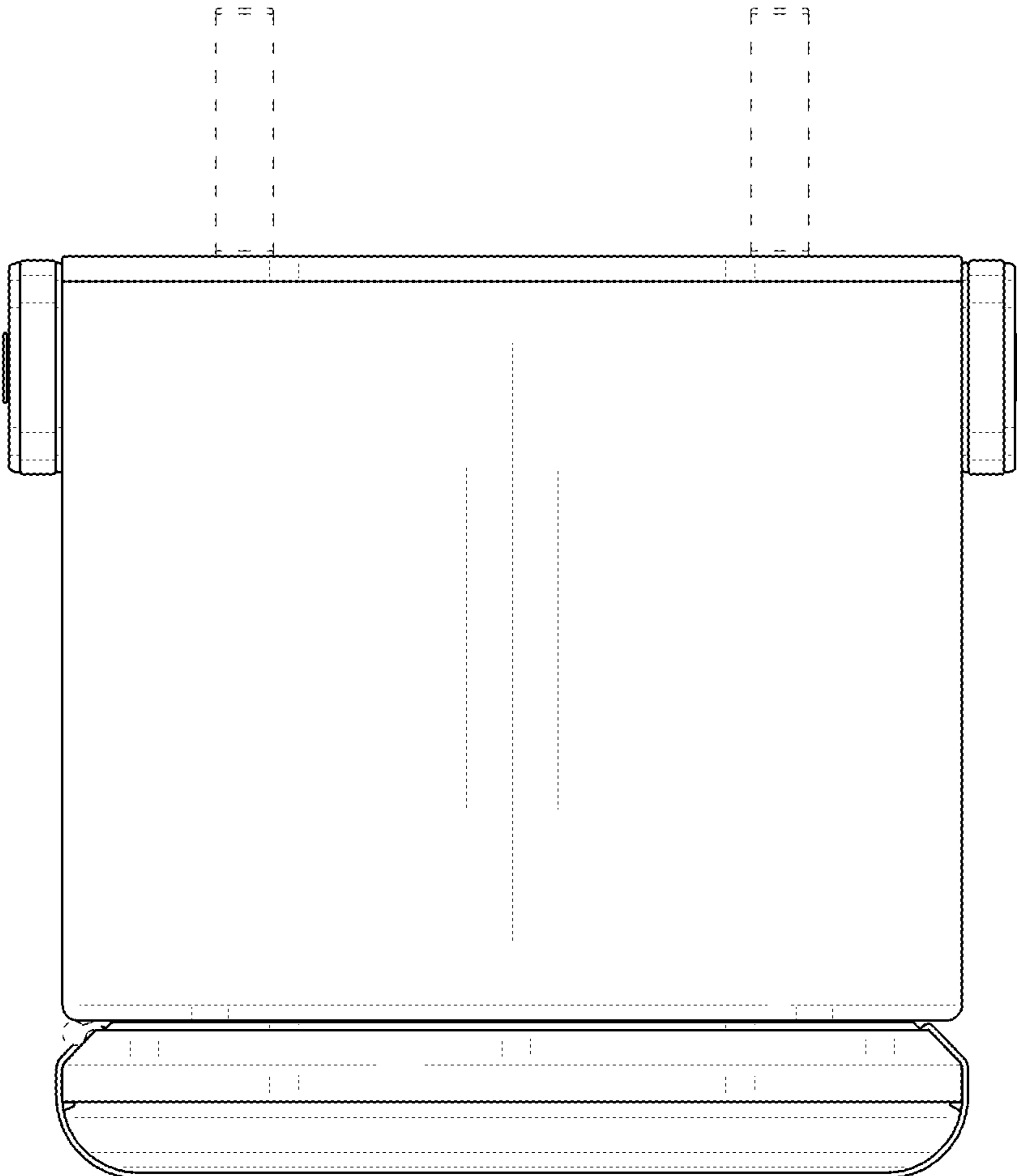


FIG. 7

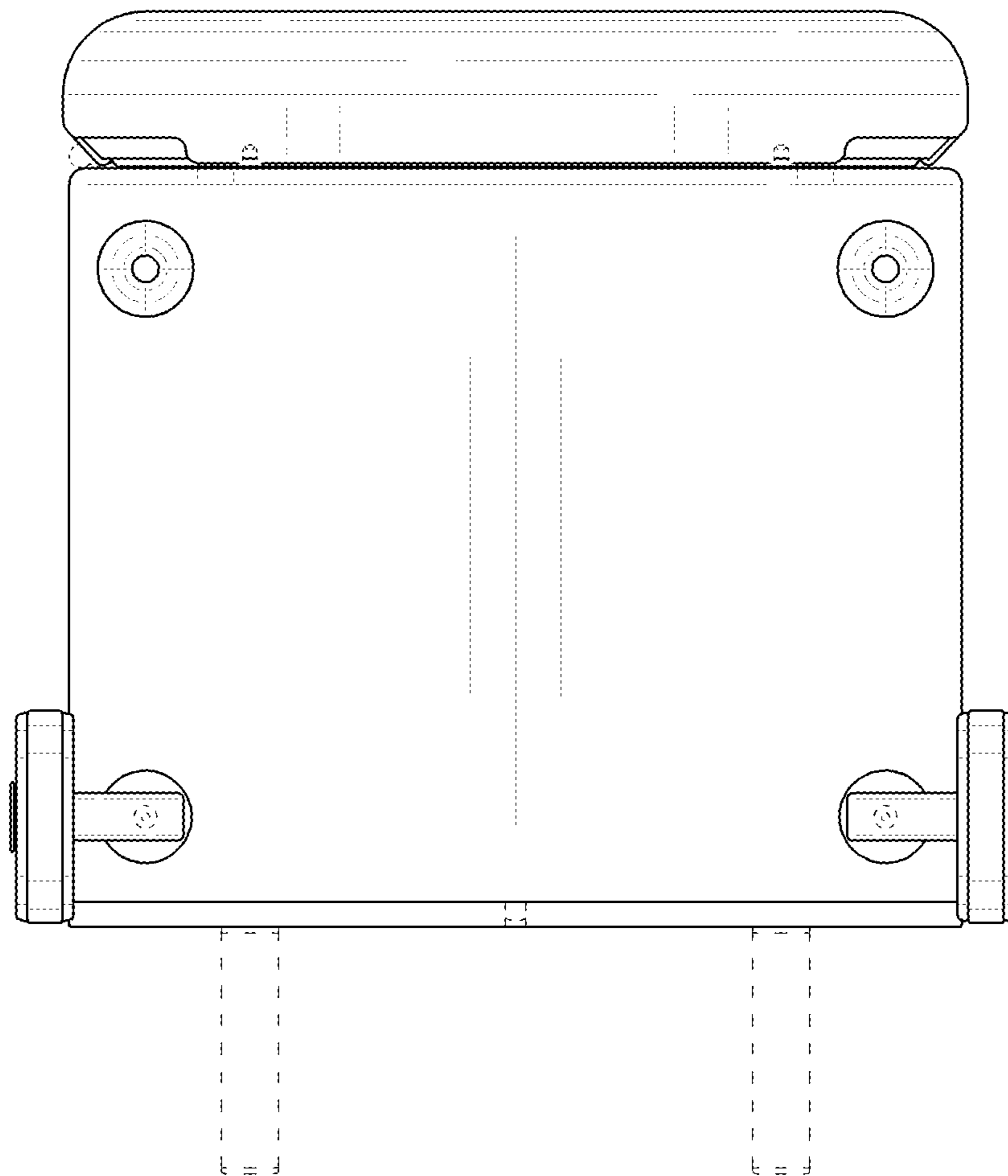


FIG. 8

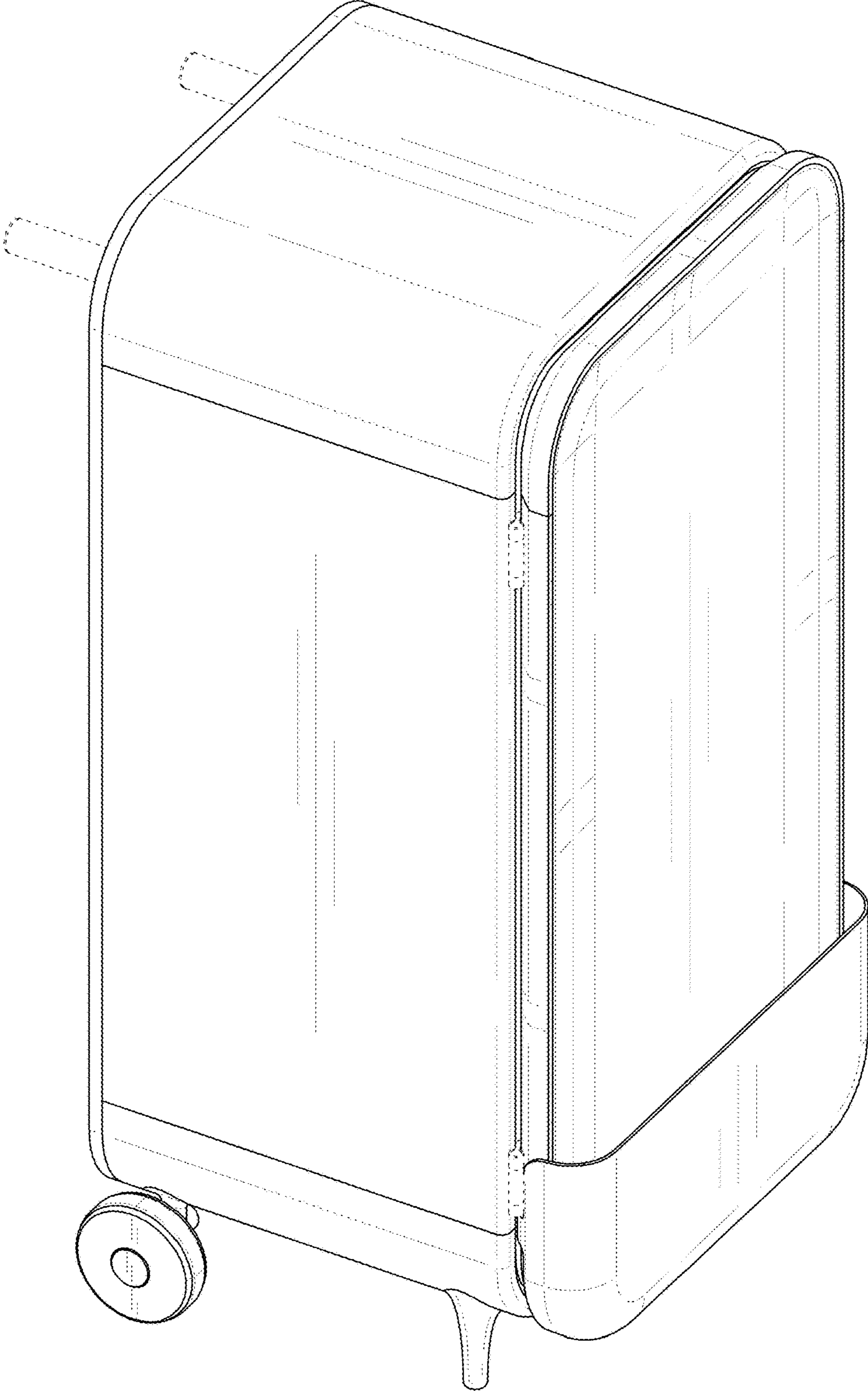


FIG. 9

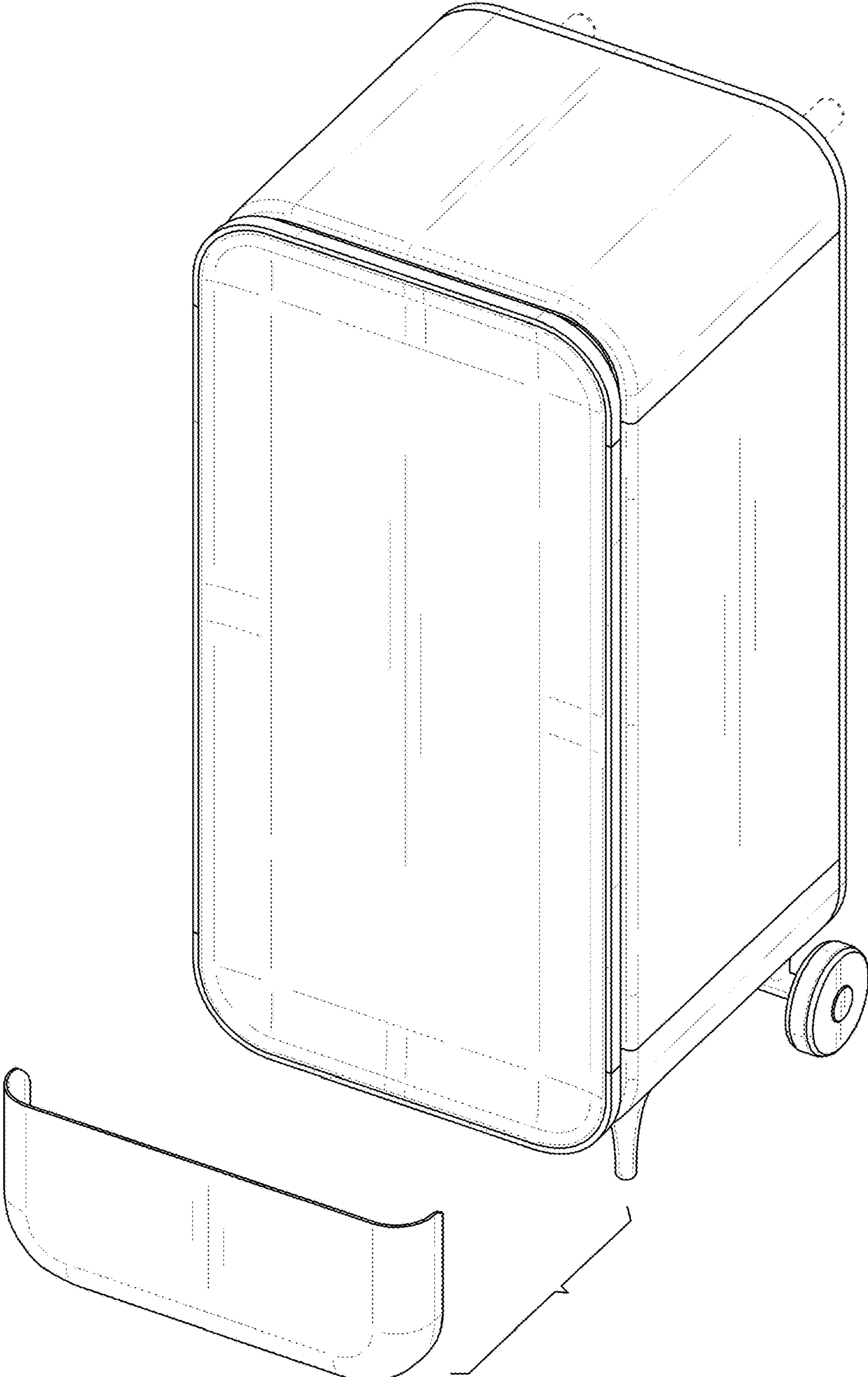


FIG. 10

