



US00D950606S

(12) **United States Design Patent**
Murugesan et al.

(10) **Patent No.:** **US D950,606 S**
(45) **Date of Patent:** **** May 3, 2022**

(54) **FORWARD END HOUSING**
(71) Applicant: **Transportation IP Holdings, LLC**,
Norwalk, CT (US)
(72) Inventors: **Ganesasubramanian Murugesan**,
Bangalore (IN); **John Stephen Roth**,
Millcreek Township, PA (US); **Jason**
M. Lymangrover, Harborcreek, PA
(US); **Abhijit Eknath Patil**, Bangalore
(IN)

2013/0068191 A1* 3/2013 Takeuchi F01L 1/022
123/195 R
2013/0133611 A1* 5/2013 Koiwa F02F 7/0073
123/195 C
2014/0020649 A1* 1/2014 Staley F02F 7/0073
123/195 R
2014/0137833 A1* 5/2014 Buehler F02F 7/00
123/195 C
2014/0326209 A1* 11/2014 Pamulaparthi F02F 7/0073
123/195 R

(Continued)

(73) Assignee: **Transportation IP Holdings, LLC**,
Norwalk, CT (US)

(**) Term: **15 Years**

(21) Appl. No.: **29/713,903**

(22) Filed: **Nov. 19, 2019**

(51) **LOC (13) Cl.** **15-01**

(52) **U.S. Cl.**
USPC **D15/5**

(58) **Field of Classification Search**
USPC D15/1-7
CPC . F02F 2007/0075; F02F 7/0073; F02F 7/0021
See application file for complete search history.

(56) **References Cited**

U.S. PATENT DOCUMENTS

6,435,154 B1* 8/2002 Simpson F01L 1/02
123/195 C
7,255,085 B2* 8/2007 Shin F02F 7/0073
123/195 C
D650,812 S * 12/2011 Hsu D15/4
9,650,989 B2* 5/2017 Staley F02F 7/0073
2006/0150942 A1* 7/2006 Shin F02F 7/0073
123/195 C
2007/0237440 A1* 10/2007 Lee F16C 35/067
384/537

OTHER PUBLICATIONS

Murugesan, G. et al., "Turobocharger Support System," U.S. Appl.
No. 16/688,712, filed Nov. 19, 2019, 62 pages.

(Continued)

Primary Examiner — Ania Aman

(74) *Attorney, Agent, or Firm* — McCoy Russell LLP

(57) **CLAIM**

The ornamental design for a forward end housing, as shown
and described.

DESCRIPTION

FIG. 1 is a front-top-right perspective view of a forward end
housing according to the present invention.

FIG. 2 is a front view of the forward end housing.

FIG. 3 is a rear view of the forward end housing.

FIG. 4 is a top view of the forward end housing.

FIG. 5 is a bottom view of the forward end housing.

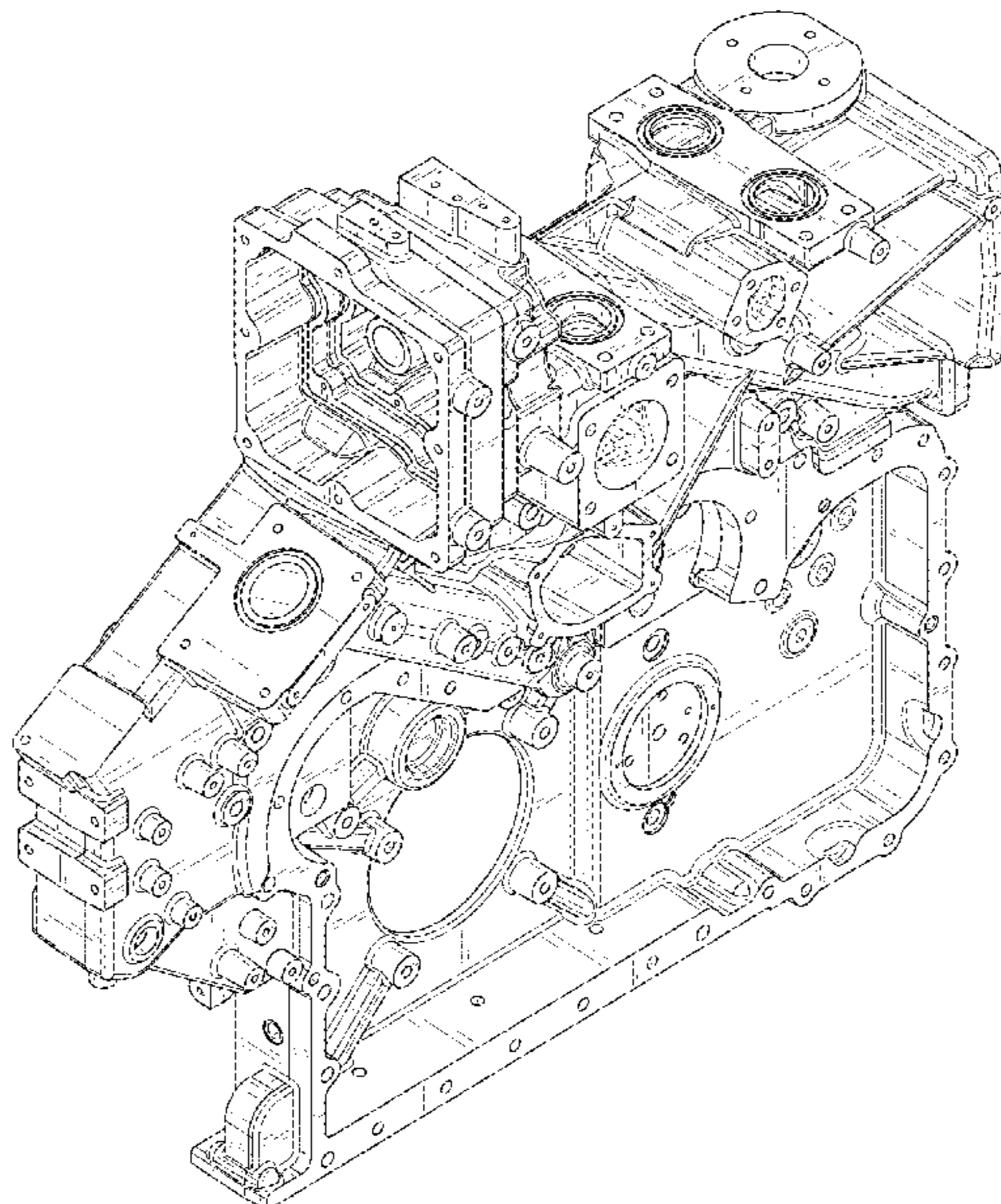
FIG. 6 is a right side view of the forward end housing.

FIG. 7 is a left side view of the forward end housing; and,

FIG. 8 is a rear-right perspective view of the forward end
housing.

The broken lines in the drawings illustrate portions of the
forward end housing that form no part of the claimed design.

1 Claim, 8 Drawing Sheets



(56)

References Cited

U.S. PATENT DOCUMENTS

2015/0096525 A1* 4/2015 Reinhart F02F 7/0073
123/195 C
2018/0266358 A1* 9/2018 Mohapatra F02F 7/0073
2020/0256280 A1* 8/2020 Huff F16J 15/3276

OTHER PUBLICATIONS

Murugesan, G. et al., "An Ornamental Design for a Support Bracket," U.S. Appl. No. 29/713,893, filed Nov. 19, 2019, 10 pages.

* cited by examiner

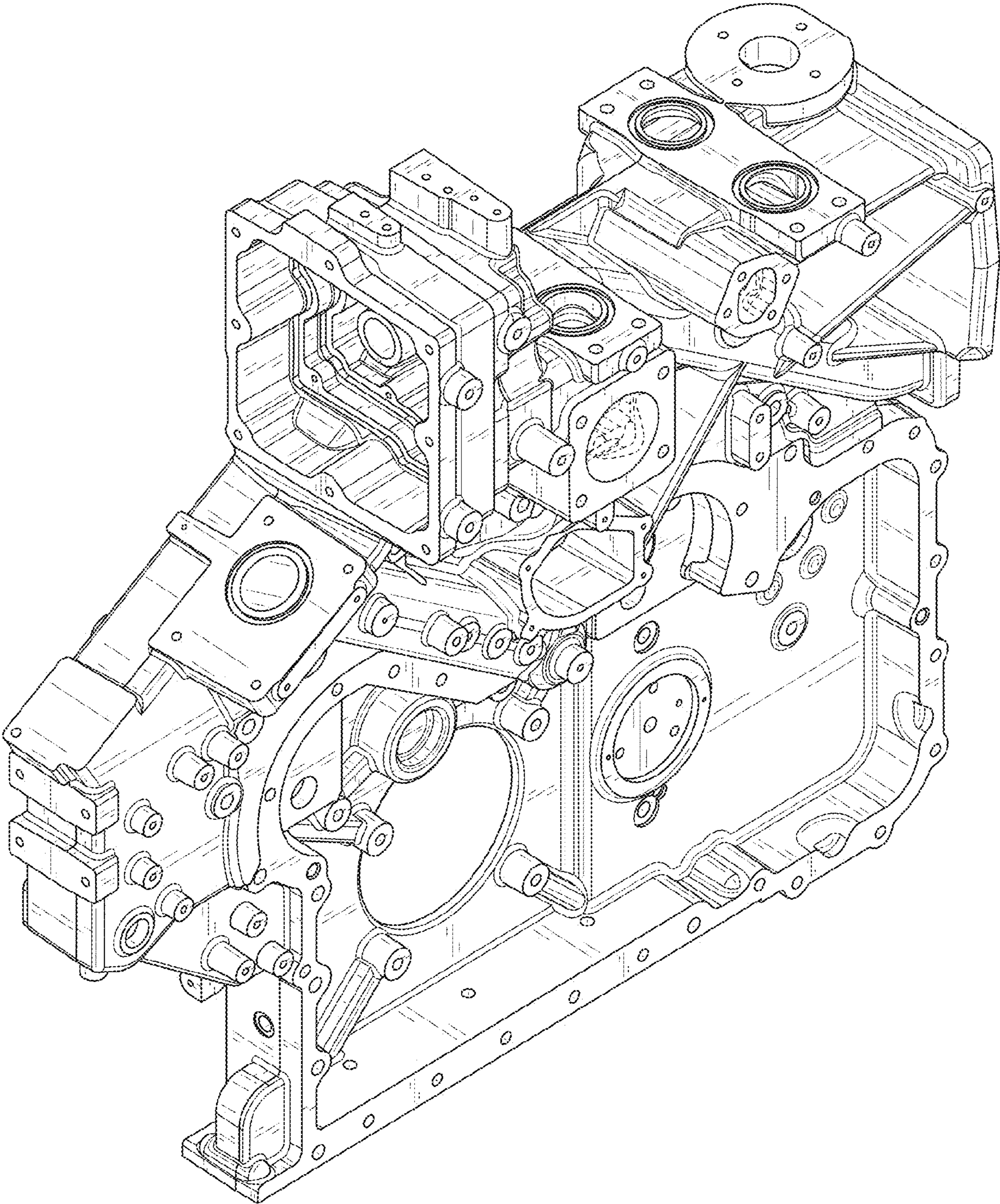


FIG. 1

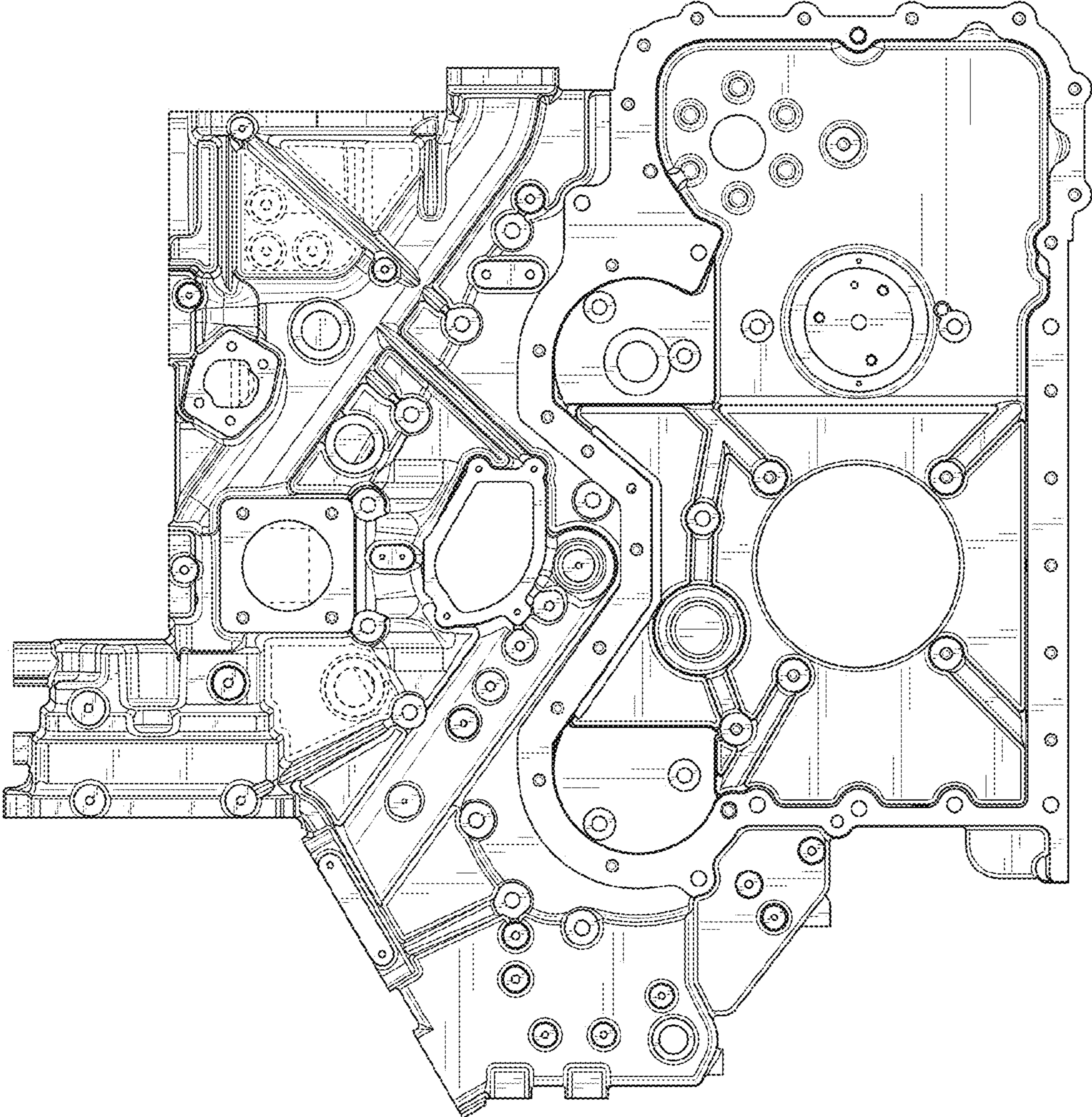


FIG. 2

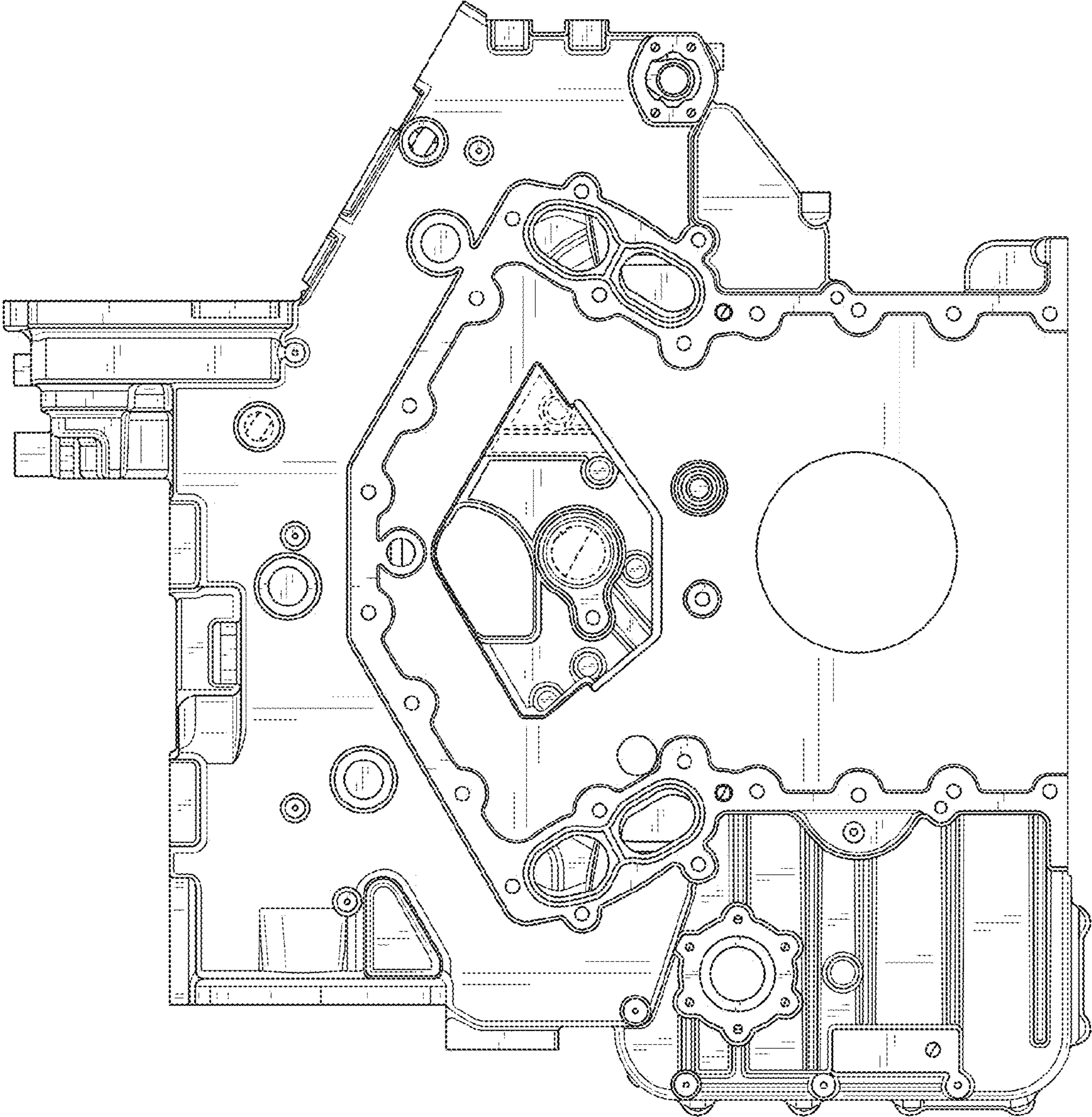


FIG. 3

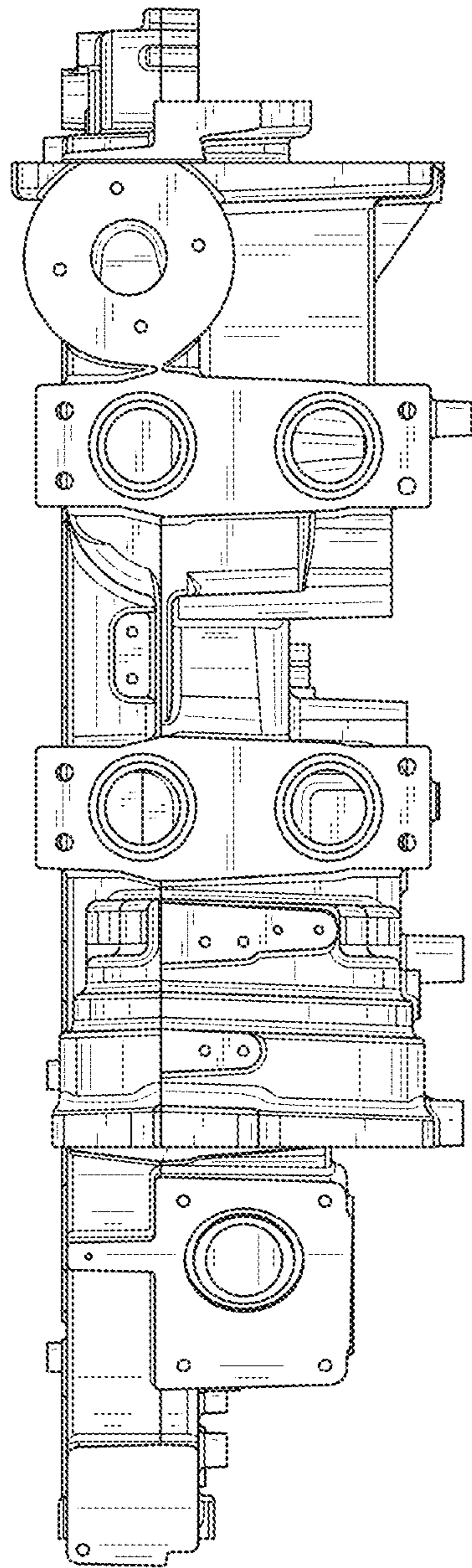


FIG. 4

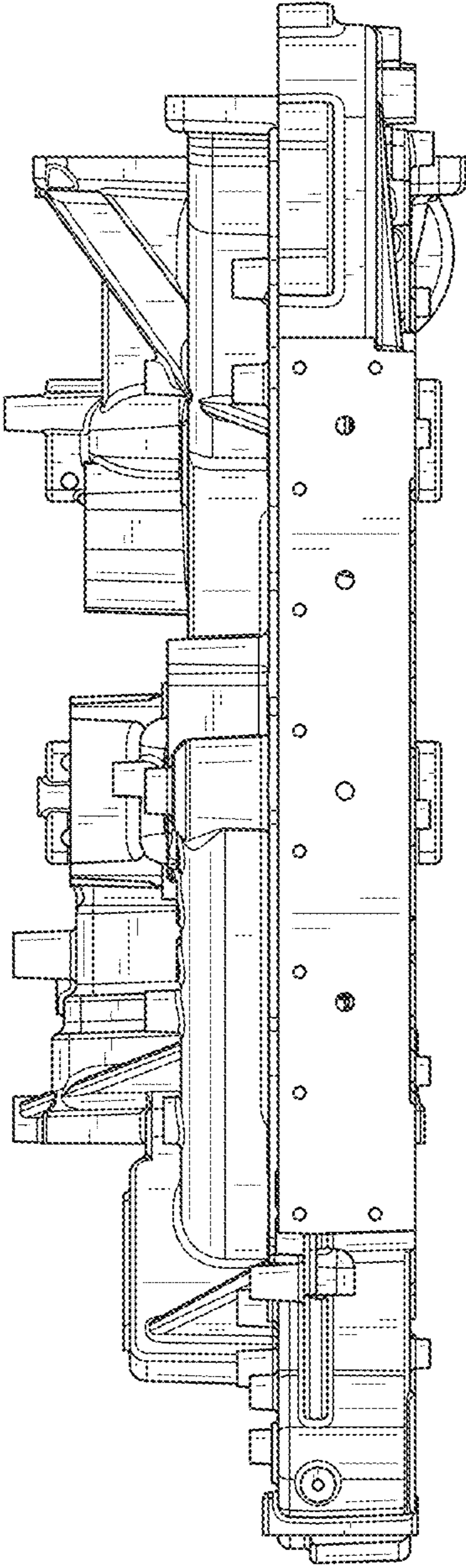


FIG. 5

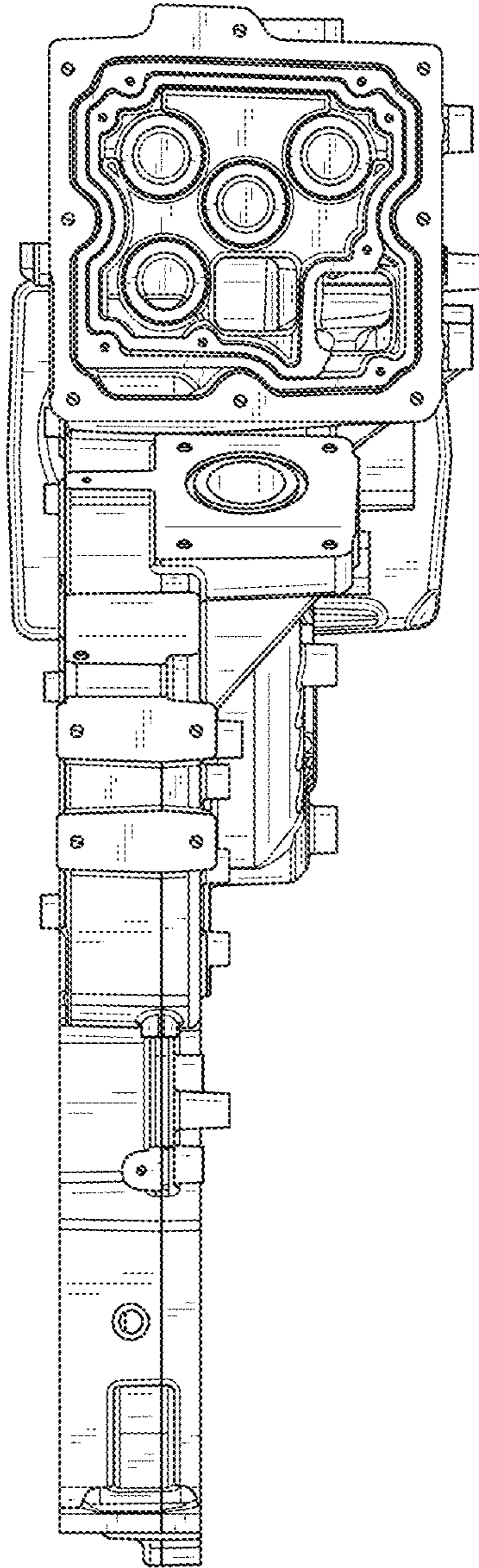


FIG. 6

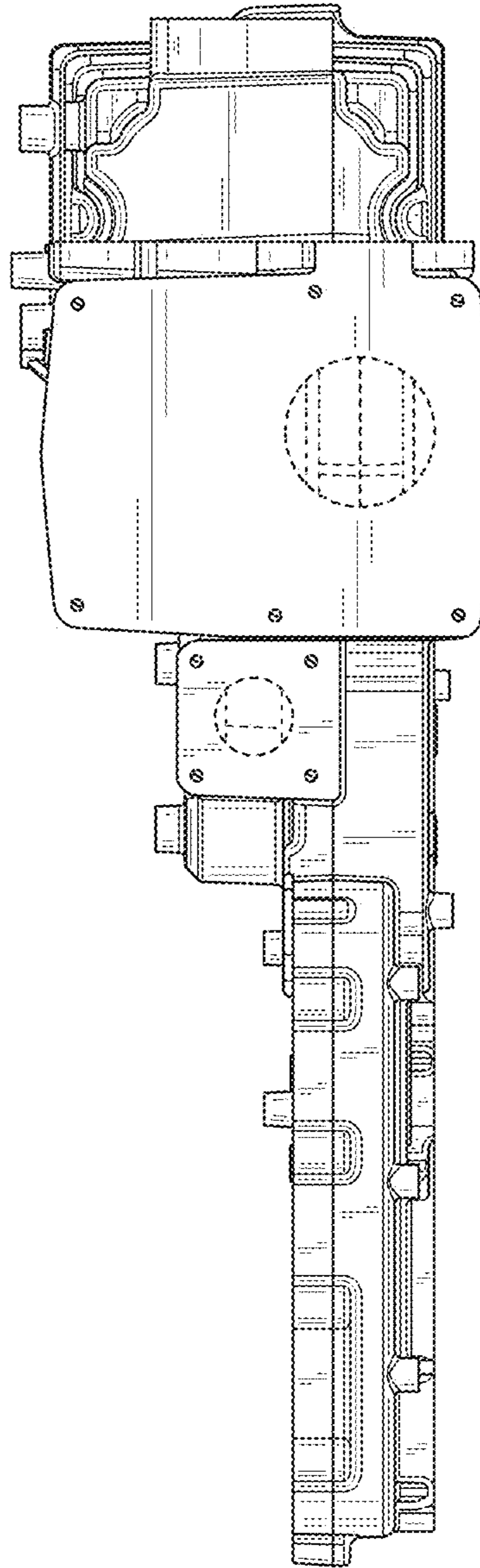


FIG. 7

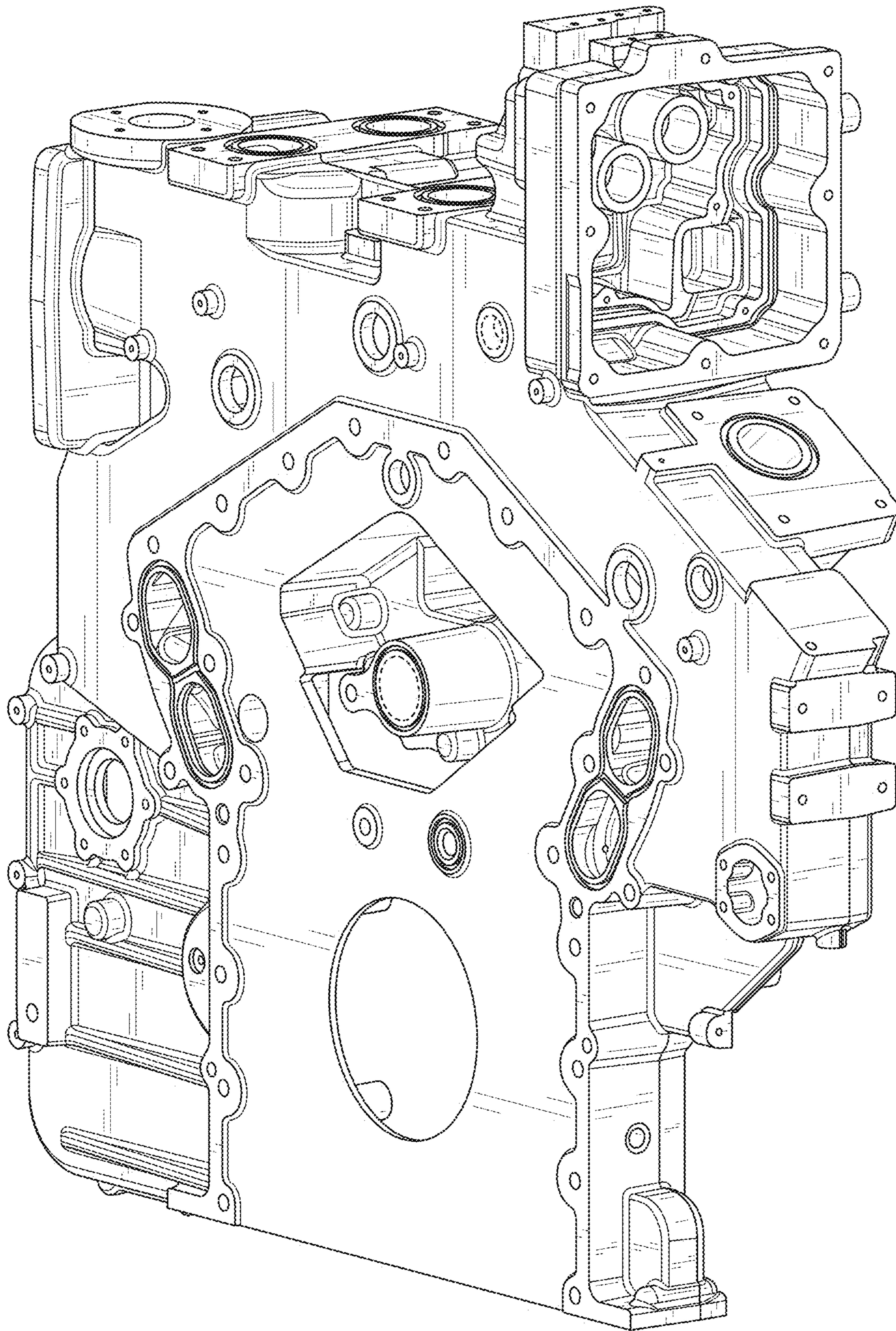


FIG. 8