



US00D950602S

(12) **United States Design Patent**
Cody et al.

(10) **Patent No.:** **US D950,602 S**
(45) **Date of Patent:** **** May 3, 2022**

(54) **DISPLAY SCREEN OR PORTION THEREOF WITH ANIMATED CARD COMMUNICATION INTERFACE**

FOREIGN PATENT DOCUMENTS

CN	303728691	9/2016
CN	302783643	8/2018

(71) Applicant: **Capital One Services, LLC**, McLean, VA (US)

OTHER PUBLICATIONS

(72) Inventors: **Lea Cody**, Arlington, VA (US); **Charles Nathan Crank**, Henrico, VA (US); **Ryan Cuppernull**, Richmond, VA (US); **Colin Hart**, Arlington, VA (US); **Daniel Herrington**, New York, NY (US); **Lara Mossler**, Farmville, VA (US); **Jeffrey Rule**, Chevy Chase, MD (US); **Kevin Widener**, Chesterfield, VA (US)

“How to Activate Your Capital One Debit Card and Start Enjoying Cashless Convenience” Jun. 3, 2021, YouTube, site visited Dec. 4, 2021: <https://www.youtube.com/watch?v=4ValD4RzWLg> (Year: 2021).*

(Continued)

(73) Assignee: **CAPITAL ONE SERVICES, LLC**, McLean, VA (US)

Primary Examiner — Jack Reickel
Assistant Examiner — Christopher M Spivey
(74) *Attorney, Agent, or Firm* — Hunton Andrews Kurth LLP

(**) Term: **15 Years**

(57) **CLAIM**

(21) Appl. No.: **29/776,697**

The ornamental design for a display screen or portion thereof with animated card communication, as shown and described.

(22) Filed: **Mar. 31, 2021**

DESCRIPTION

Related U.S. Application Data

(63) Continuation of application No. 29/683,319, filed on Mar. 12, 2019, now Pat. No. Des. 917,557.

(51) **LOC (13) Cl.** **14-04**

(52) **U.S. Cl.**
USPC **D14/489**; D14/485

(58) **Field of Classification Search**
USPC D14/485–495; 345/156; 715/771
(Continued)

FIG. 1 is a front view of a display screen or portion thereof with animated card communication interface showing a first image in a sequence;

FIG. 2 is a second image thereof;

FIG. 3 is a third image thereof;

FIG. 4 is a fourth image thereof;

FIG. 5 is a fifth image thereof;

FIG. 6 is a sixth image thereof; and,

FIG. 7 is a seventh image thereof.

The appearance of the animated images sequentially transitions between the images shown in FIGS. 1 through 7.

The process or period in which one image transitions to another forms no part of the claimed design.

The broken lines showing a display screen or portion thereof and all other broken lines showing portions of an animated card communication interface shown in FIGS. 1 through 7 illustrate environmental subject matter and form no part of the claimed design. The broken lines forming an electronic

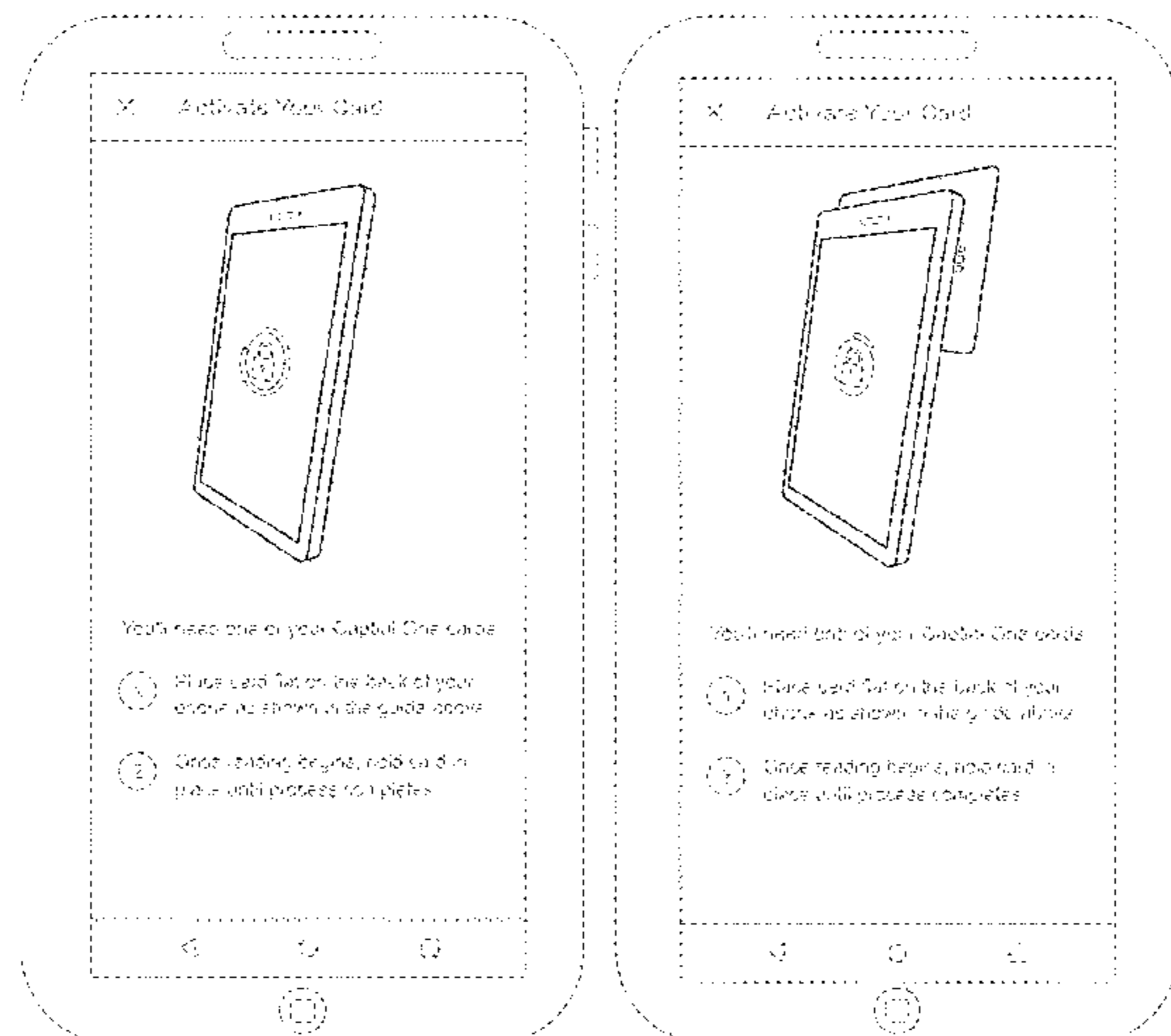
(Continued)

(56) **References Cited**

U.S. PATENT DOCUMENTS

D651,608 S * 1/2012 Allen D14/485
D669,497 S 10/2012 Lee et al.

(Continued)



communication device shown in FIGS. 1 through 7 illustrate environmental subject matter and form no part of the claimed design.

1 Claim, 4 Drawing Sheets

(58) **Field of Classification Search**

CPC G06F 3/04817; G06F 2201/825; G06F 2200/1614; G06F 2203/04802; G06F 3/0481; G06F 3/0482; G06F 3/04845; G06F 3/04886; G06F 3/048; G06F 3/0483; G06F 3/04842; G06F 3/0485; G06F 3/04855; G06F 3/0486; G06F 3/0488; G06F 40/103; G06F 40/106; G06T 2200/24; G06T 2219/2021; A63B 24/0062; H04L 2012/2841; H04L 63/0428; H04M 1/27475; H04M 1/72544; H04W 4/023; G06Q 20/3223; G06Q 20/351; G06Q 20/10

See application file for complete search history.

D839,287 S	1/2019	Hersh et al.	
D842,867 S *	3/2019	Jedrzejewicz	D14/485
D848,479 S	5/2019	Lee et al.	
D861,725 S	10/2019	Park et al.	
D868,809 S	12/2019	Cullum et al.	
D871,451 S *	12/2019	Fujiyama	D14/492
10,498,401 B1	12/2019	Rule et al.	
D872,737 S	1/2020	Ressel et al.	
D879,147 S	3/2020	Lebov et al.	
D904,424 S	12/2020	Hansen et al.	
10,885,514 B1 *	1/2021	Hart	G06Q 20/353
D917,557 S *	4/2021	Cody	D14/489
D927,285 S *	8/2021	Singtoroj	D8/343
D927,507 S *	8/2021	Norman	D14/485
2013/0038634 A1 *	2/2013	Yamada	G09G 5/00 345/649
2013/0091468 A1	4/2013	Xie	
2013/0162571 A1	6/2013	Tamegai	
2015/0349848 A1 *	12/2015	Yang	H04B 5/0031 455/41.1
2016/0012465 A1 *	1/2016	Sharp	G06Q 20/386 705/14.17
2017/0185991 A1 *	6/2017	Park	H04W 4/023
2017/0300212 A1	10/2017	Vinna et al.	
2021/0342840 A1 *	11/2021	Rule	H04W 12/06

(56)

References Cited

U.S. PATENT DOCUMENTS

D684,995 S *	6/2013	Chaudhri	D14/490
D712,915 S	9/2014	Lee et al.	
D724,621 S	3/2015	Rydenhag et al.	
9,081,419 B2	7/2015	Tocino Diaz et al.	
D746,866 S *	1/2016	Memoria	D14/494
D752,061 S	3/2016	Ahn et al.	
D752,072 S	3/2016	Song	
D760,792 S	7/2016	Liu et al.	
D762,716 S	8/2016	Yang et al.	
D763,308 S	8/2016	Wang et al.	
D763,905 S *	8/2016	Patel	D14/488
D764,493 S	8/2016	Sanderson	
D766,958 S	9/2016	Salazar Cardozo et al.	
D770,517 S	11/2016	Peng et al.	
D771,130 S	11/2016	Cho et al.	
D776,152 S *	1/2017	Park	D14/488
D777,778 S *	1/2017	Park	D14/488
D780,806 S *	3/2017	Forsblom	D14/492
D784,370 S *	4/2017	Kuhn	D14/485
D785,658 S	5/2017	Moroney et al.	
D790,595 S	6/2017	Forsblom	
D804,522 S	12/2017	Sachtleben et al.	
D807,376 S	1/2018	Mizono et al.	
D808,402 S	1/2018	Butcher et al.	
D821,443 S	6/2018	Jang et al.	
D821,412 S	7/2018	Diament et al.	
D823,859 S	7/2018	Boyd	
D826,969 S	8/2018	Goyette et al.	
D827,662 S	9/2018	Fleischmann et al.	

OTHER PUBLICATIONS

“How to use Apple Pay—Apple Support” Aug. 31, 2020, YouTube, site visited Dec. 6, 2021: <https://www.youtube.com/watch?v=uDQKTPuCoA> (Year: 2020).*

“How To Use Google Pay” Oct. 28, 2020, YouTube, site visited Dec. 6, 2021: <https://www.youtube.com/watch?v=-E8IQ8jekkQ> (Year: 2020).*

“Tap On Phone—Turn your phone into a mobile card reader” May 5, 2021, VivaWallet, site visited Dec. 6, 2021: <https://www.vivawallet.com/blog-tap-on-phone> (Year: 2021).*

“Tap to Pay—Concept Animation” Apr. 19, 2019, Dribbble, site visited Dec. 4, 2021: <https://dribbble.com/shots/6362645-Tap-to-Pay-Concept-Animation> (Year: 2019).*

“Preloader GIF 9”, Nov. 2017, Gifimage, site visited Jul. 24, 2020: <https://gifimage.net/wp-content/uploads/2017/11/gif-preloader-9.gif> (Year: 2017).

“Arrows Set One”, Sep. 16, 2016, Iconfinder, site visited Jul. 23, 2020: www.iconfinder.com/iconsets/arrows-78 (Year: 2016).

“Motion Graphics File: Countdown” Dec. 14, 2012, YouTube, site visited Jul. 24, 2020: www.youtube.com/watch?v=nBnaYNWmTWo, (Year: 2012).

“Circular Progress Indicator Prototype” Oct. 25, 2016, YouTube, site visited Jul. 23, 2020: www.youtube.com/watch?v=wzh6xjujW8A, (Year: 2016).

“Preloader GIF” Oct. 13, 2017, Gfycat site visited Jul. 24, 2020: <https://gfycat.com/iointrevolvingantelopgroundsquirrel-spinner-loader> (Year: 2017).

* cited by examiner

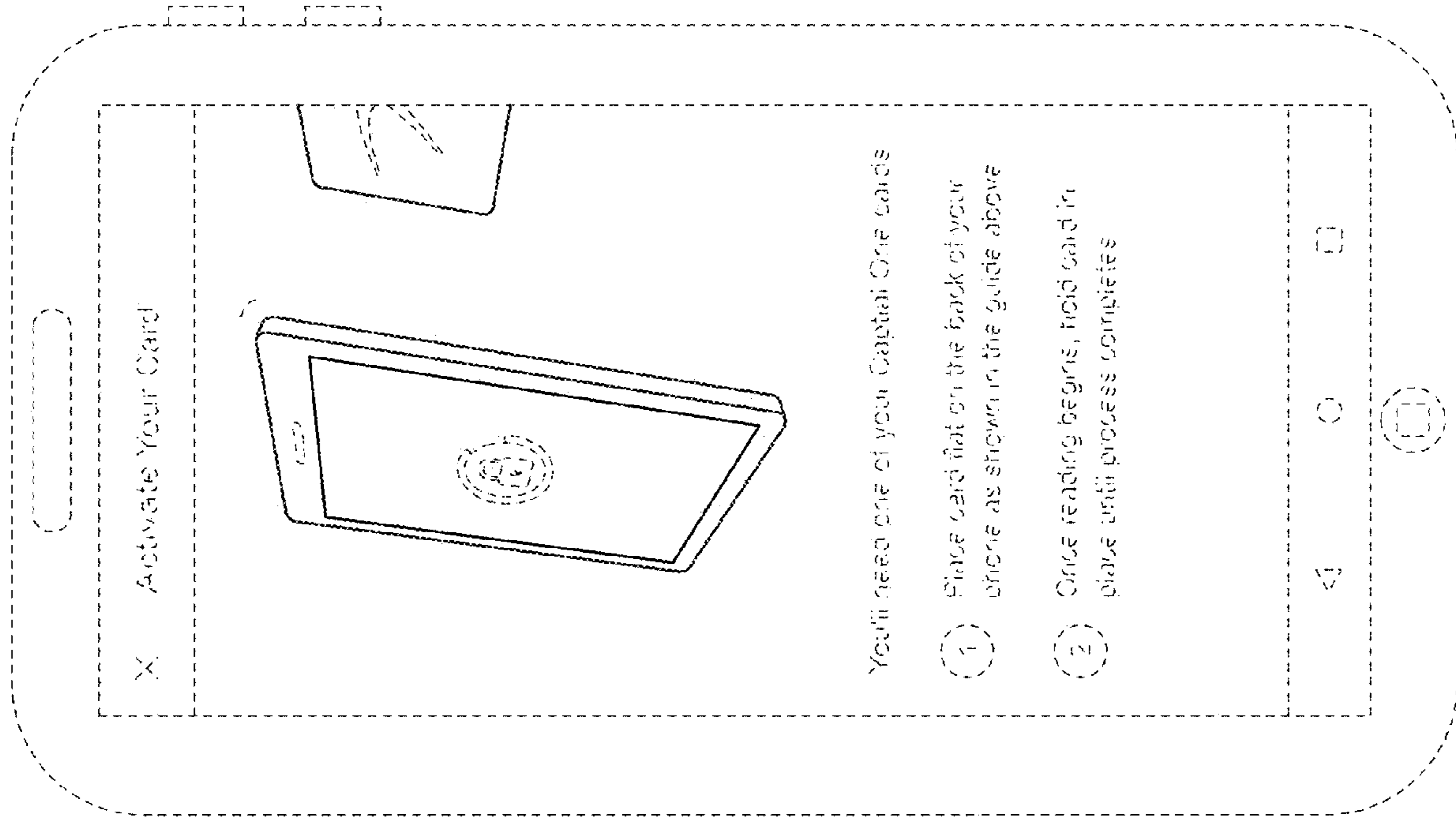


FIG. 2

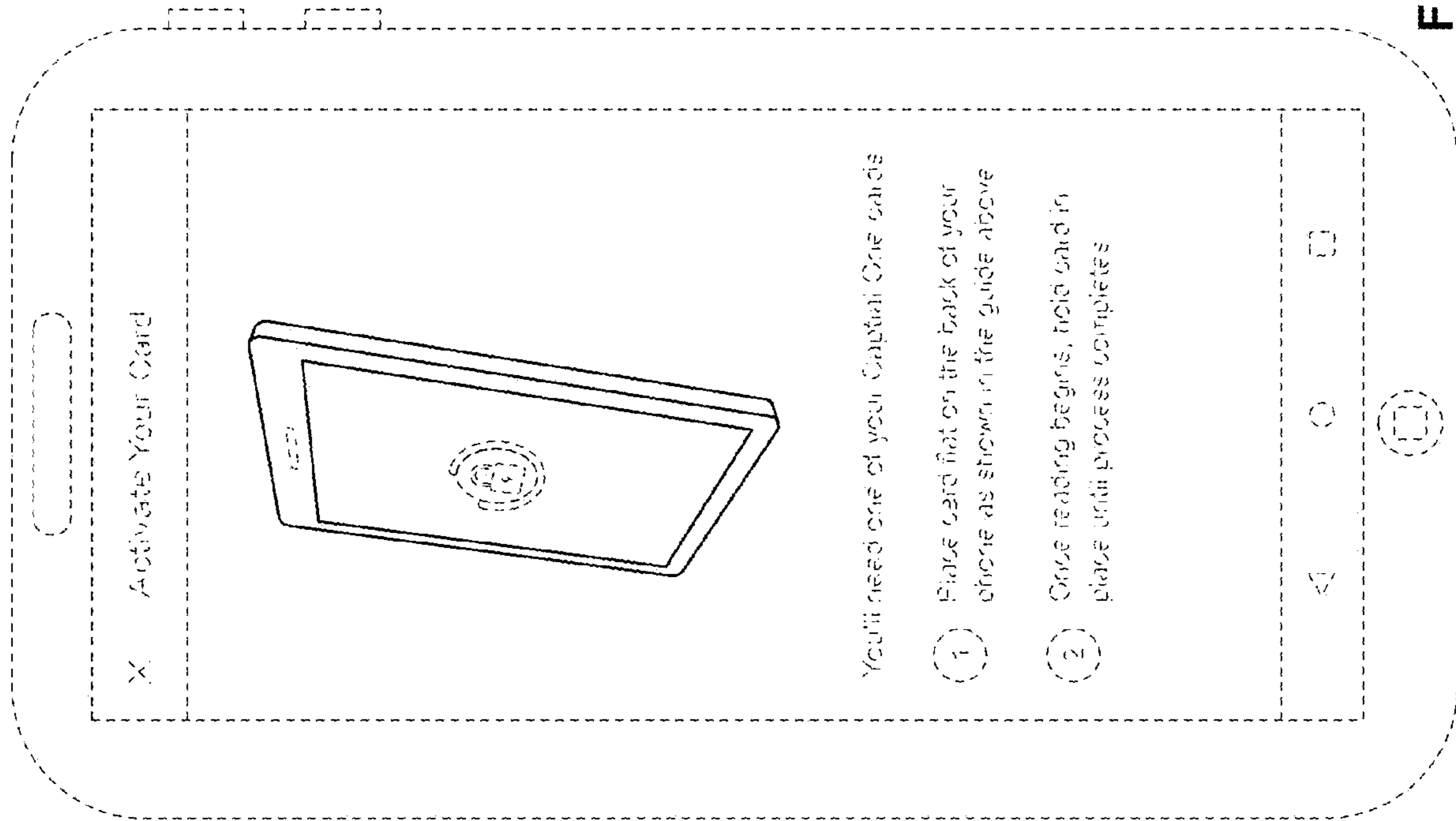


FIG. 1

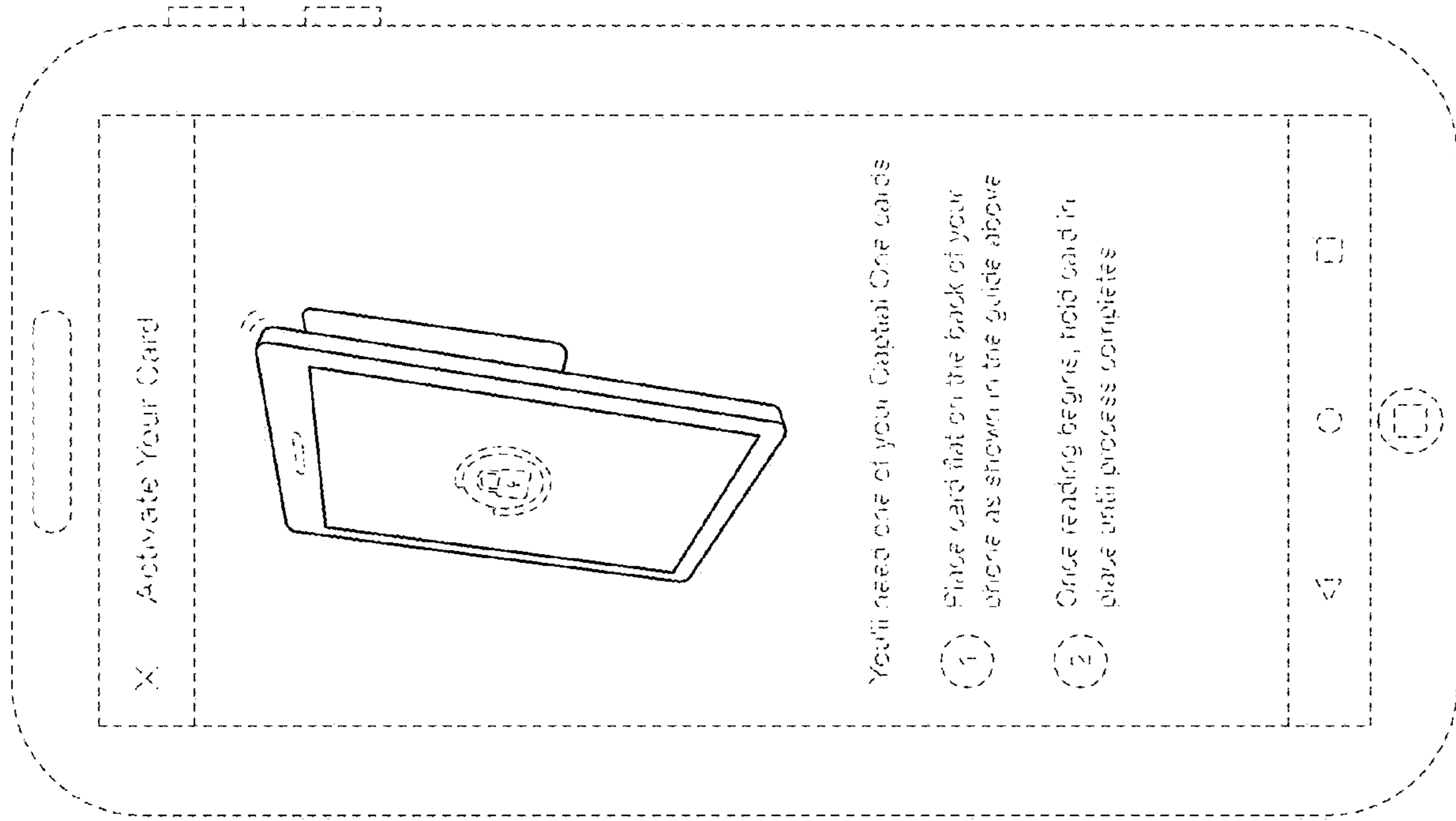


FIG. 3

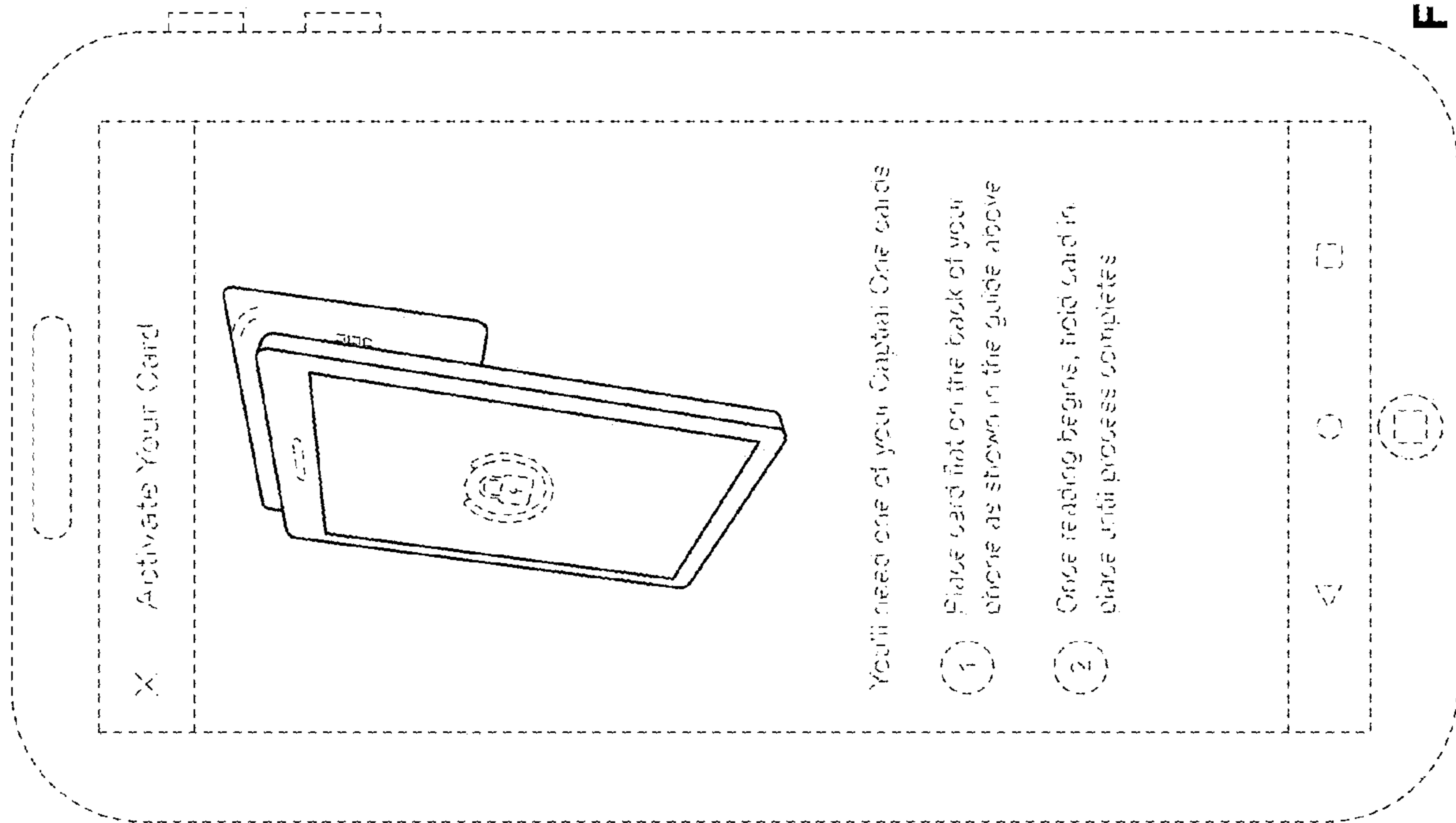


FIG. 4

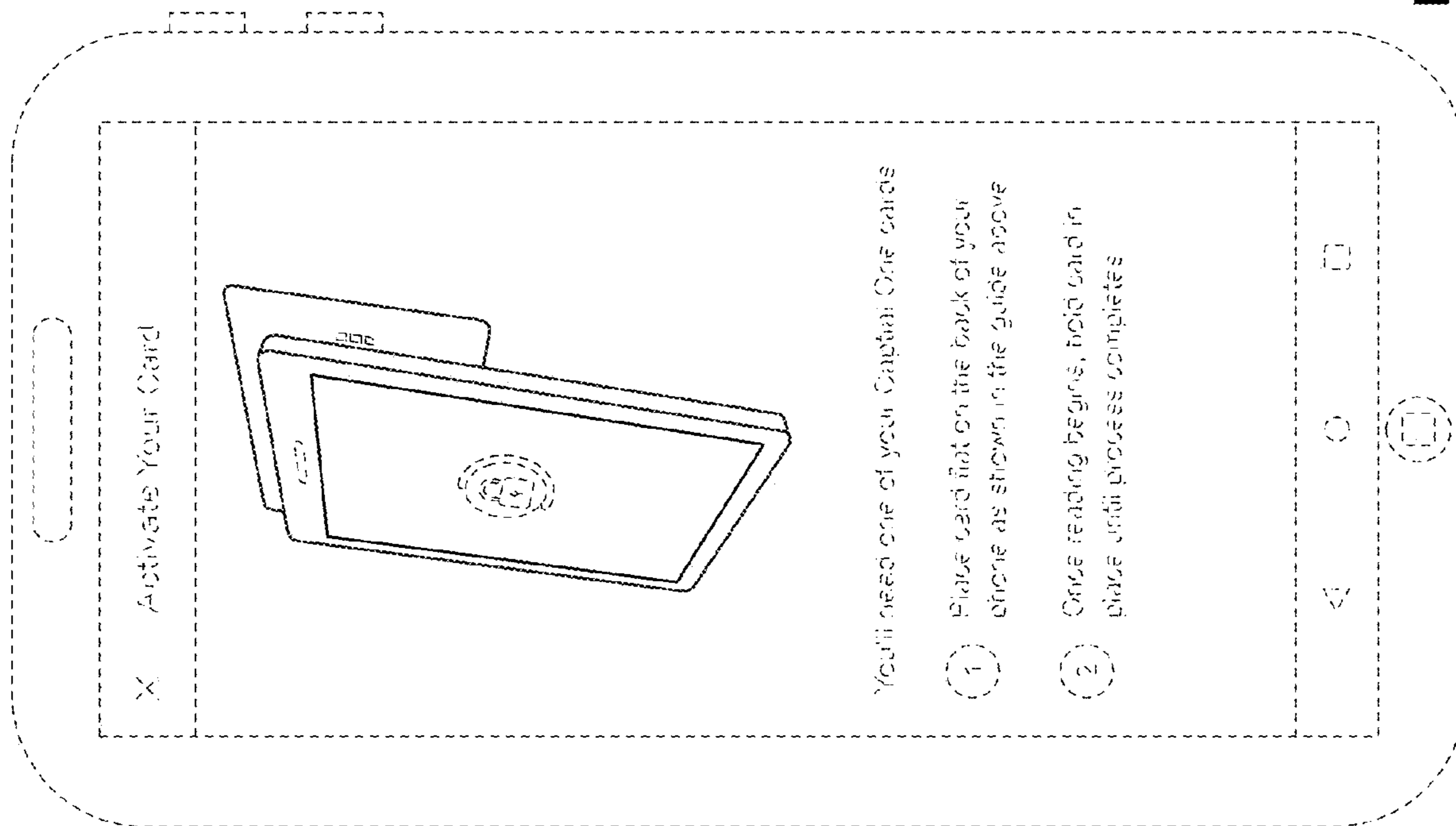


FIG. 5

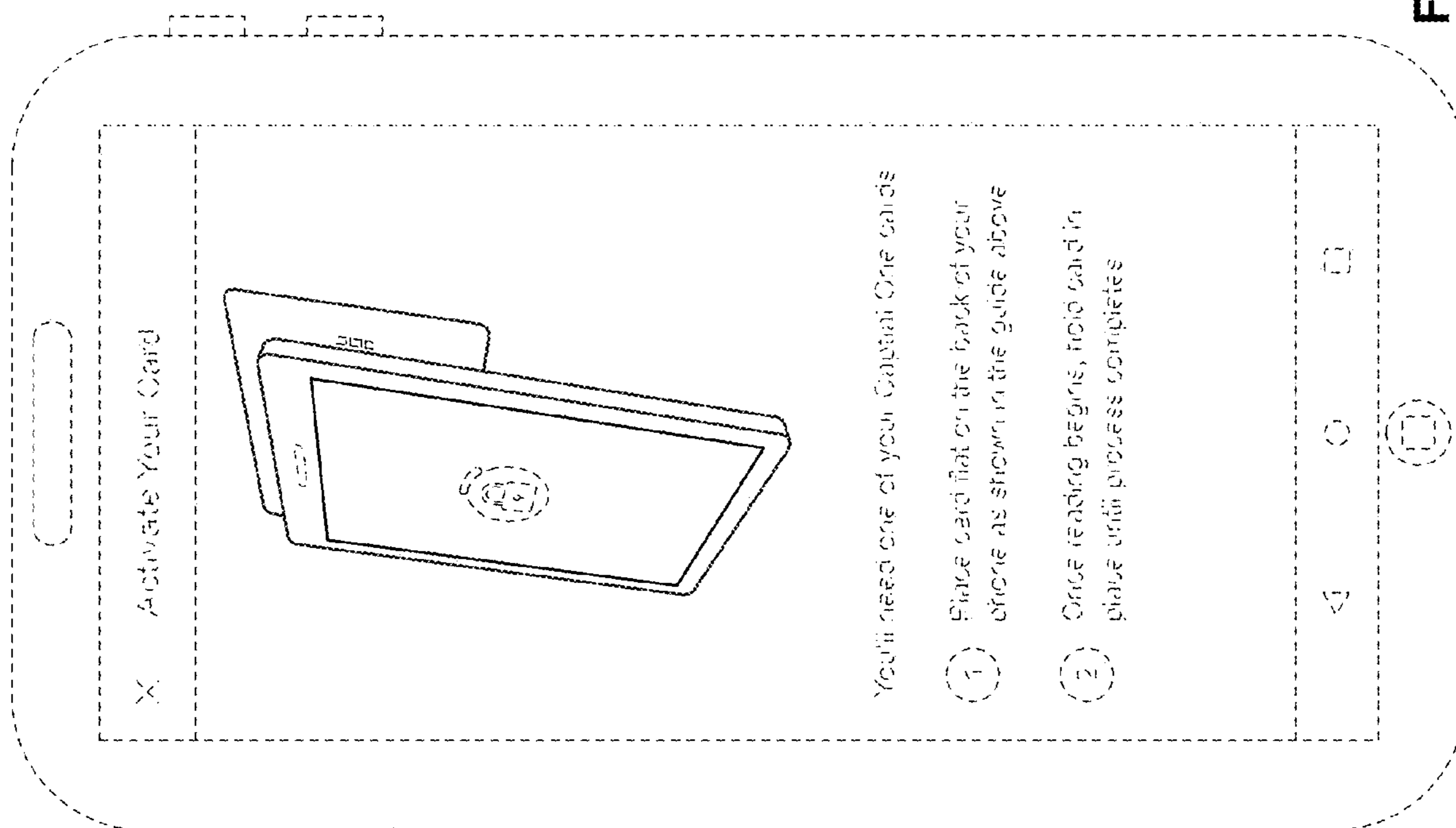


FIG. 6

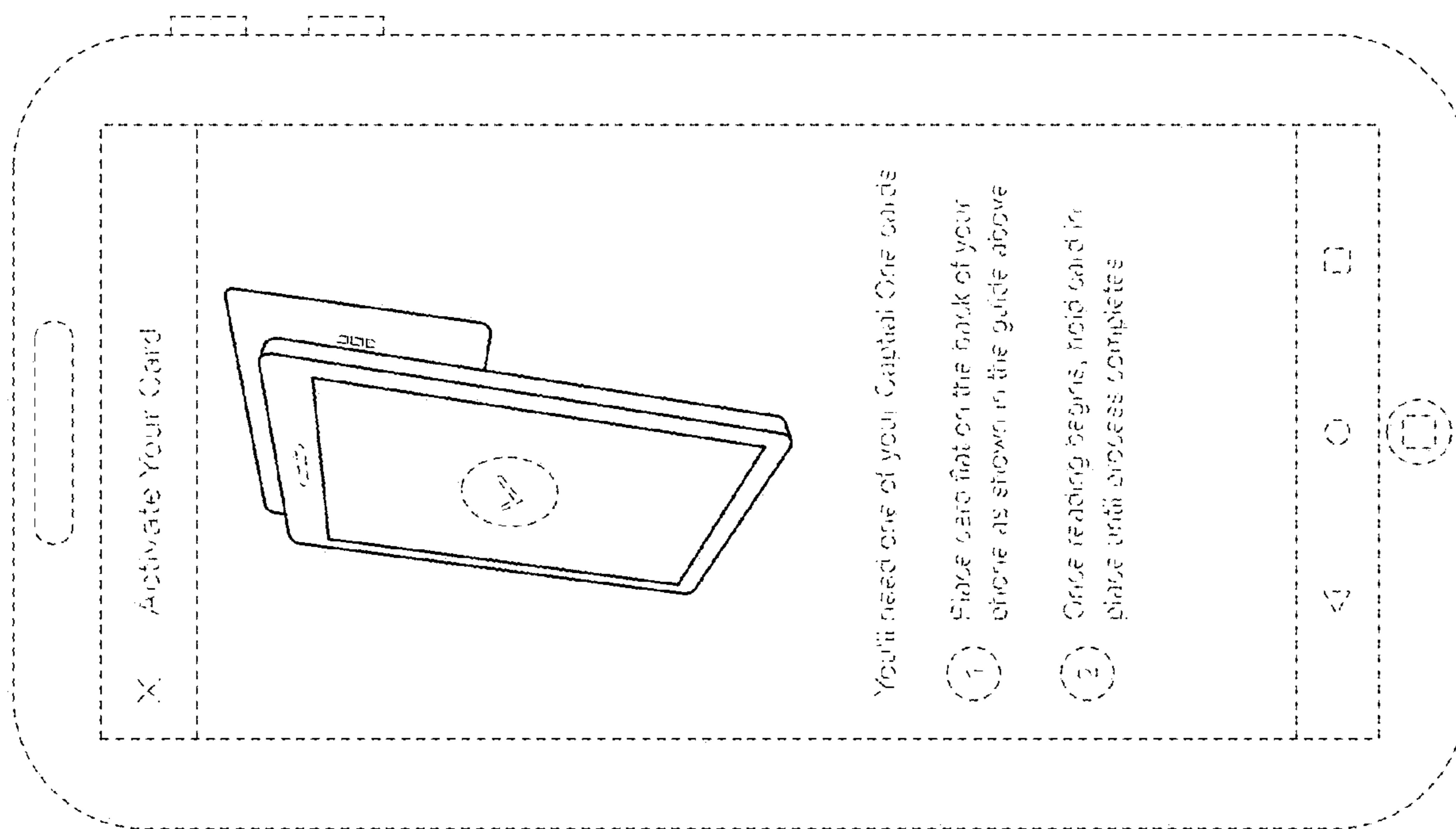


FIG. 7